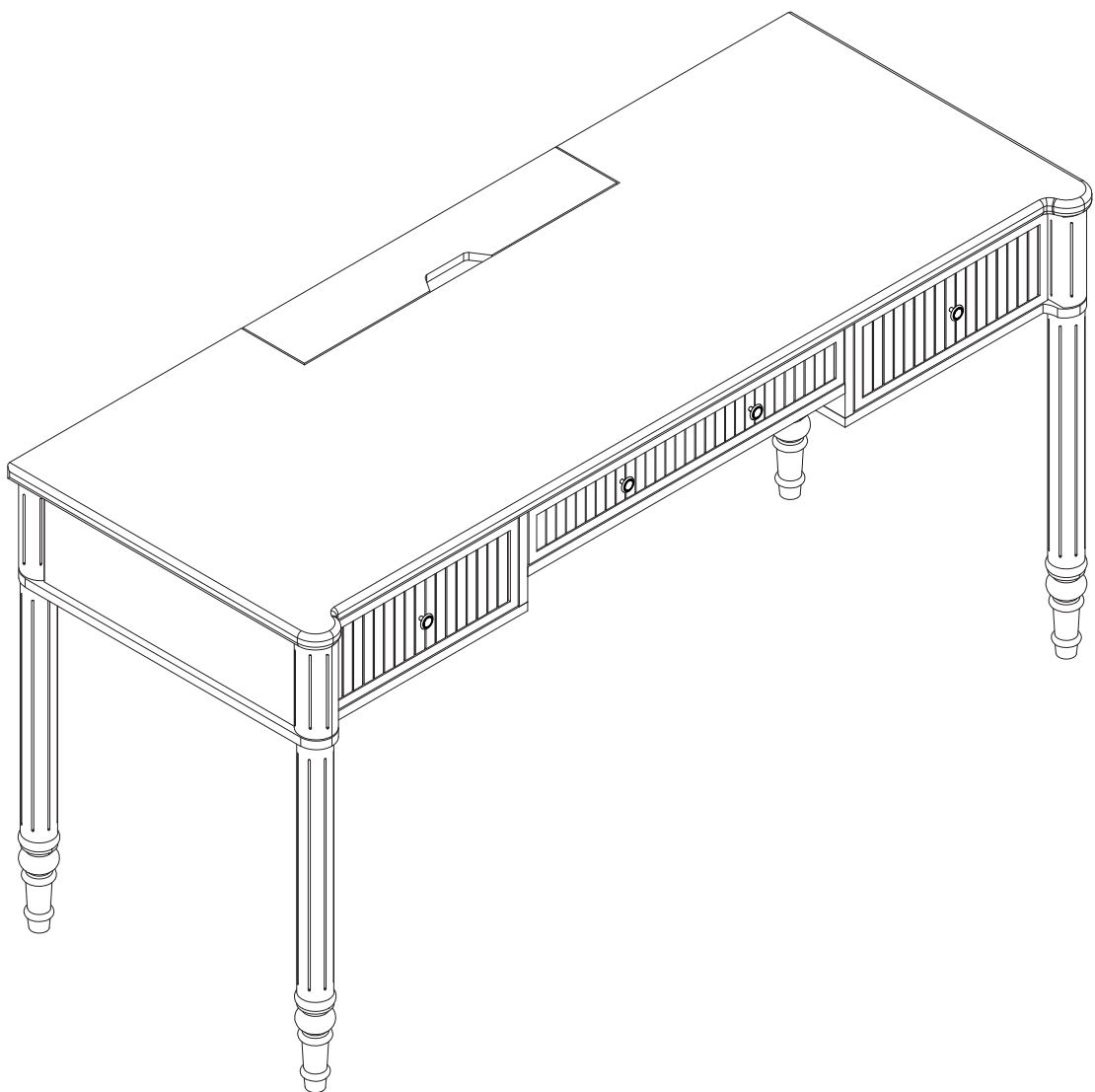


Adaptive Design, Effortless Living.

# OWNER MANUAL



# MAINTENANCE AND WARNINGS

**Thank You For Choosing Our Furniture.**

**Please read the instructions and warnings carefully before use, to ensure safe and satisfactory operation of this product.**

## NOTE :

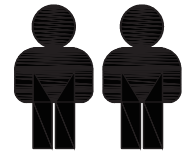
This brochure contains IMPORTANT safety info. Please read and keep it for future reference.



Weight Limitation  
**110 LBS**



Installation:  
**15 minutes.**







**Two Person**



## Before You Start

**Please follow the steps below:**




-  Unbox the package and check if all parts and accessories are complete.
-  If you find something missing, stop assembly and contact your supplier immediately.
-  Please do not completely tighten all the hardware until the entire assembly is completed! Be sure to tighten all the hardware once the assembly completed.
-  NOTE: Should be assembled on soft surface to keep balance.

## After-Sales Service

- If you encounter any issues or need technical support during use, please contact our after-sales team. We offer long-term maintenance and warranty services.



## Warranty

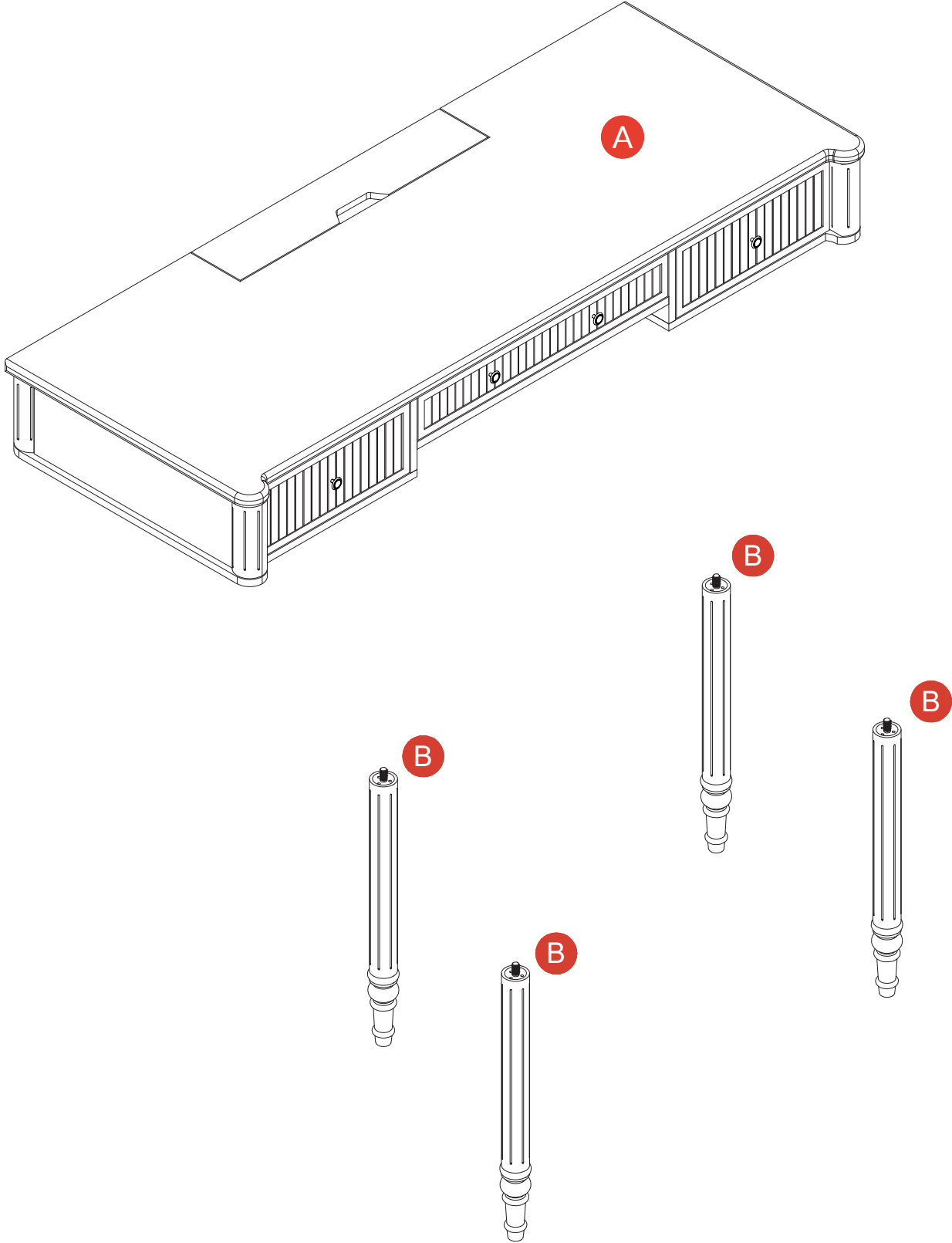
-  We strive to offer high , quality products, and we also try our best to satisfy each and every customer that orders from us with product or service as needed. Each customer must provide a record of their order such as the order number, or item receipt for any items that are out of the warranty period you may also still receive replacement parts by purchasing them with our company if they are available.
  
-  Are you having difficulty with assembly? Missing parts? Please send email with your order number to us.
  
-  For return, please check the return policy with the retailer or market place you bought from. Appreciate your purchasing from us. Pop up your life by our furniture piece!

### ***Daily Maintenance***

- Keep furniture away from heat.
- Do not use cleaning agents containing acids, alkalis, or corrosive substances, as they may damage the surface. It is recommended to use neutral cleaning agents or specialized furniture cleaners.
- Do not place furniture under direct sunlight, material will possibly fade over time.
- Do not use on site dry cleaning machine.
- Children should not climb or jump on the furniture.
- Do not write on furniture without a padded barrier to protect the surface.
- Not for commercial use, for residential use only.

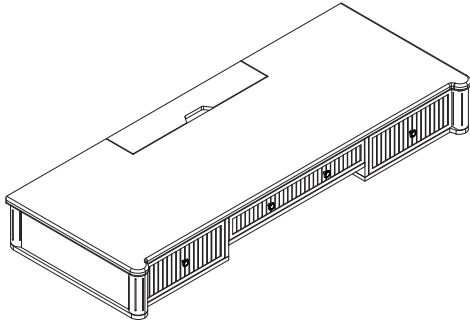
# Exploded Diagram

Please confirm that you have received all the parts in the box and start the installation.



# Parts List (Carton A)

**A** x1



Cabinet

**B** x4



Legs

# Hardware List (Carton A)

**1** x4



Anti-tip component

**2** x4



Self-tapping screw  
D4X20

**3** x2



Hardware pack

**4** x4



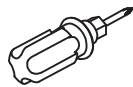
Expansion pipe  
L30mm

**5** x4



Self-tapping screw  
D4X40

**6** x1



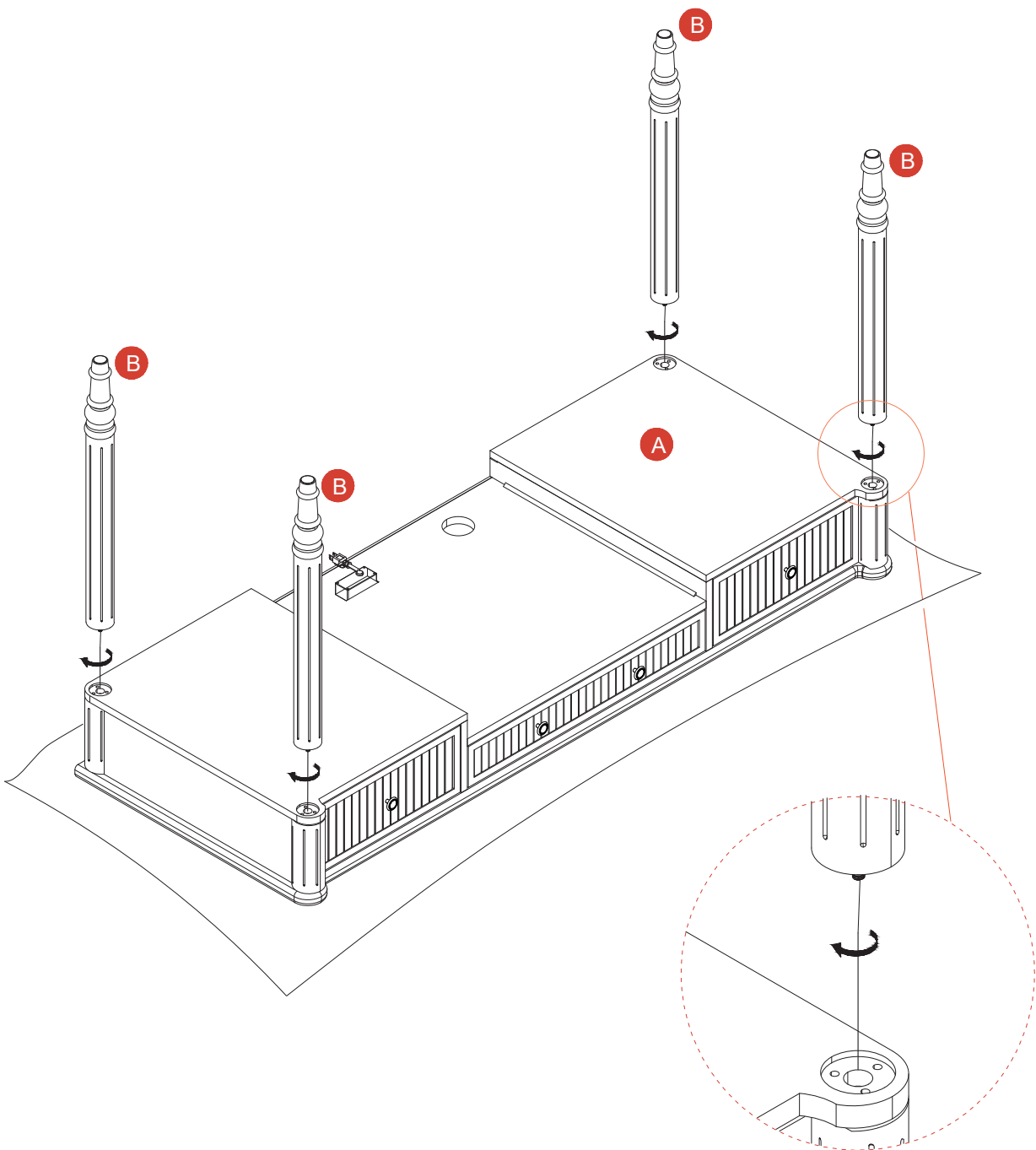
Screwdriver

# Assembly Instructions

## Step 01



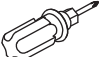
Turn the assembled unit upright.

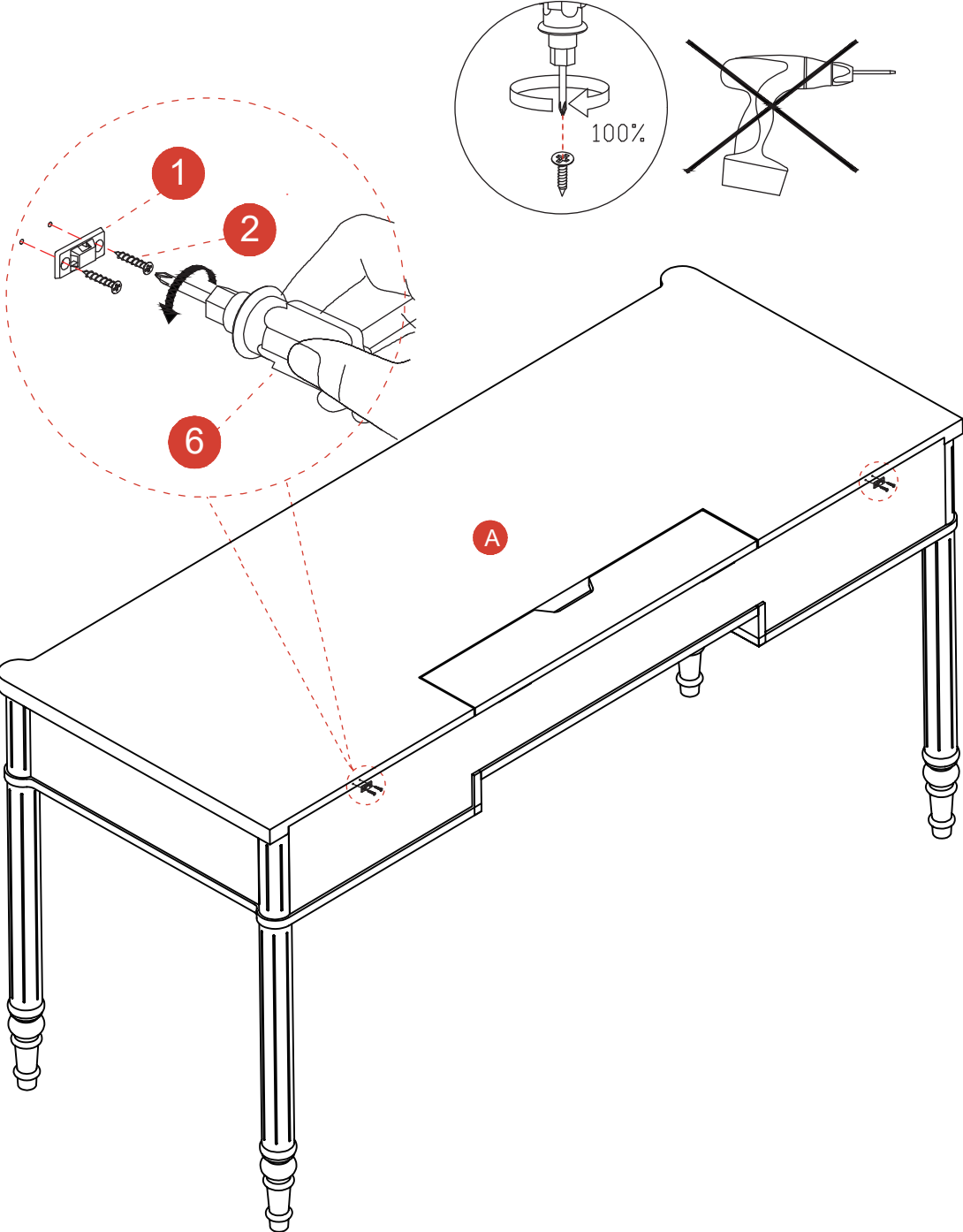
Screw foot into corresponding hole by hand as picture show



# Step 02


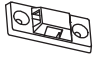

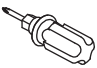
Pass screw 2 through the anti-fall part 1 and insert it behind the panel, then tighten with screwdriver 6

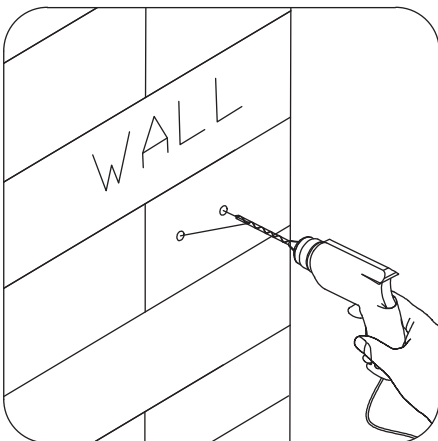
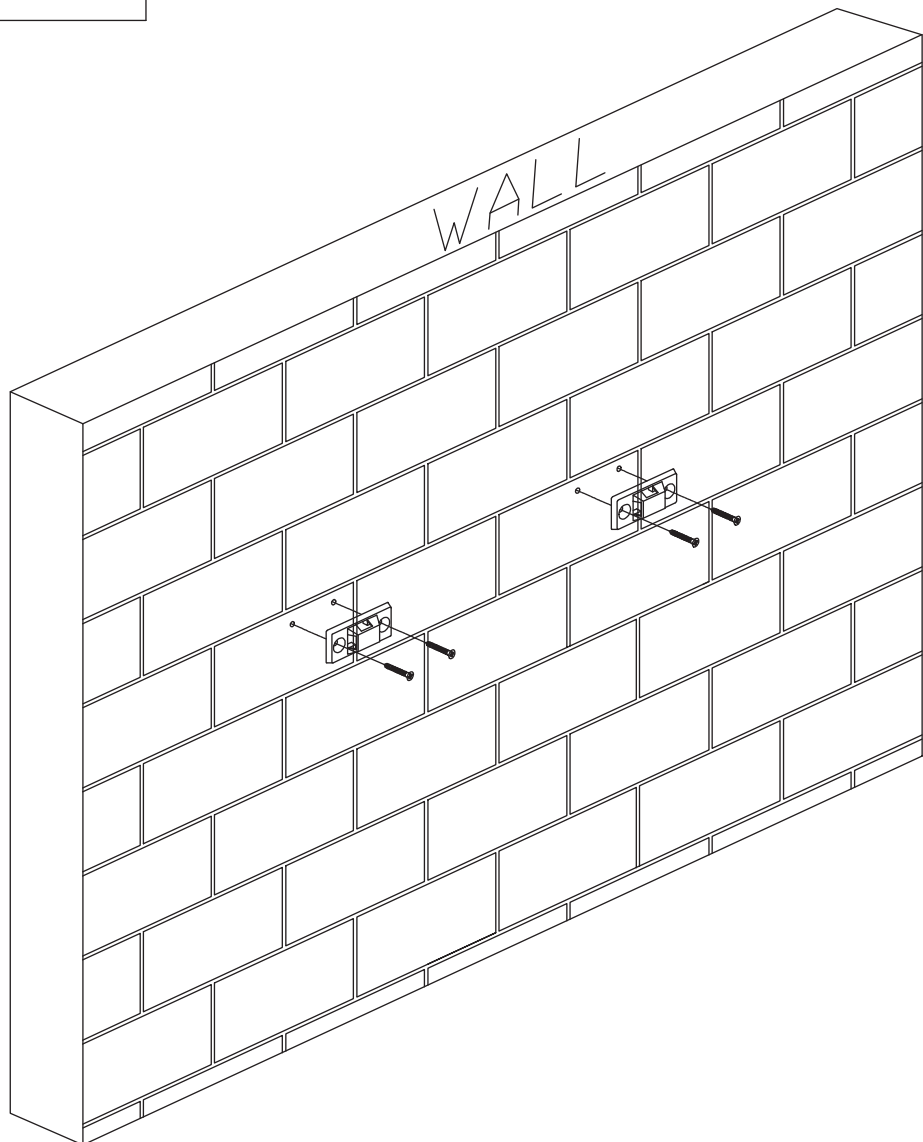
2	 x 4	D4*20
1	 x 2	
6	 x 1	



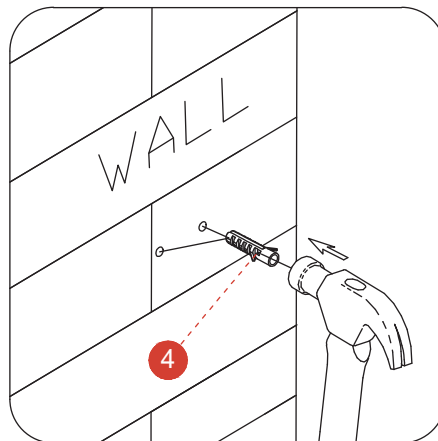
## Step 03

Install Anti-tip device 1 to the wall in this step.

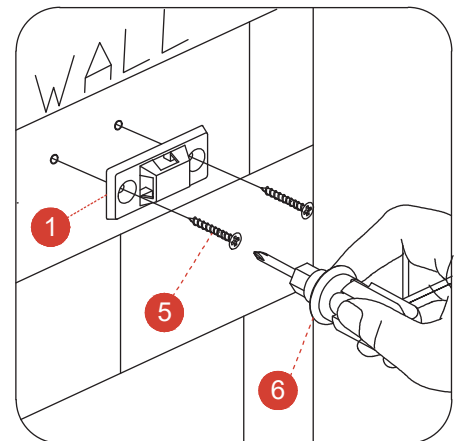
5	 x 4	D4*40mm
1	 x 2	
4	 x 4	
6	 x 1	



1. Drill a hole in the wall with an electric drill.



2. Tap the plastic wall anchor into the hole with a hammer.



3. Secure the Anti-tip device 1 to the wall with screws 5.

## Step 04

### WARNING

**Children have died from furniture tipover.**

**To reduce the risk of furniture tipover:**

- ALWAYS install Anti-tip device provided.
- For use with televisions weighing 35 lb or less. Use with heavier televisions may result in instability causing tip-over resulting in death or serious injury.
- NEVER allow children to stand, climb or hang on drawers, doors, or shelves.
- NEVER open more than one drawer at a time.
- Place heaviest items in the lowest drawers.

