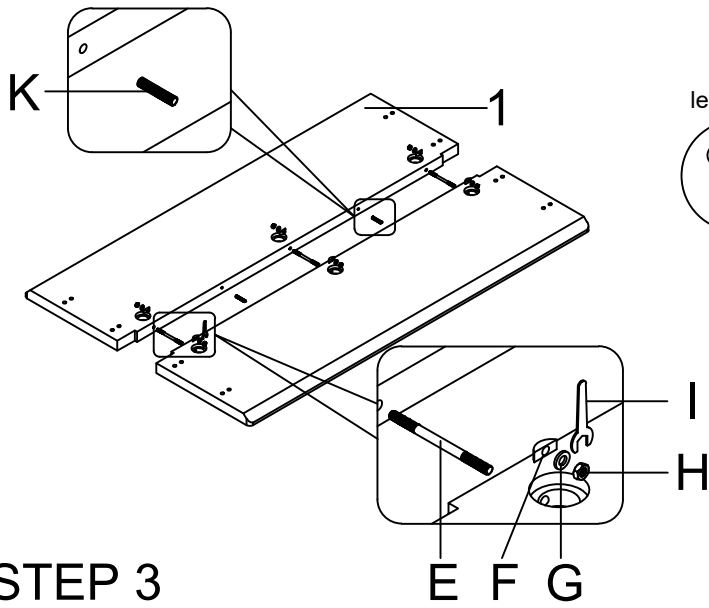
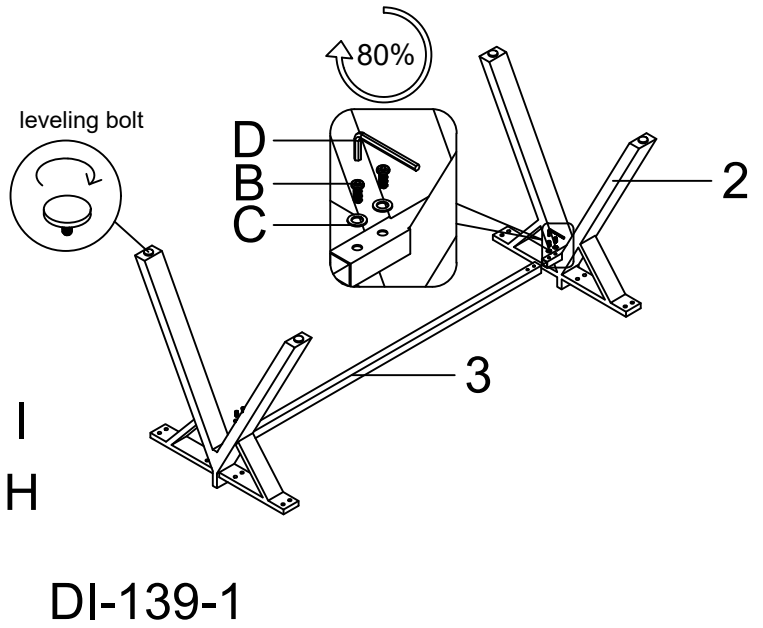


# ASSEMBLY INSTRUCTION

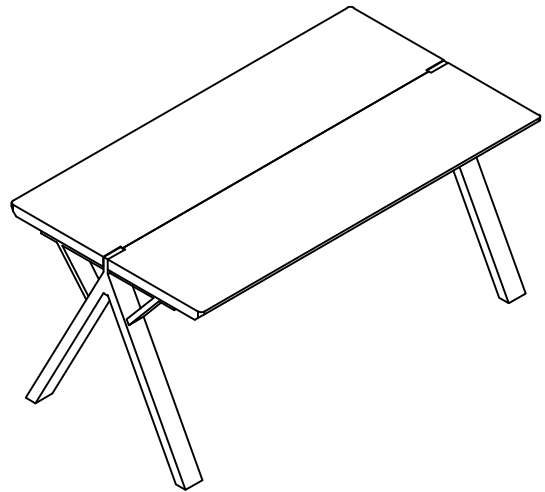
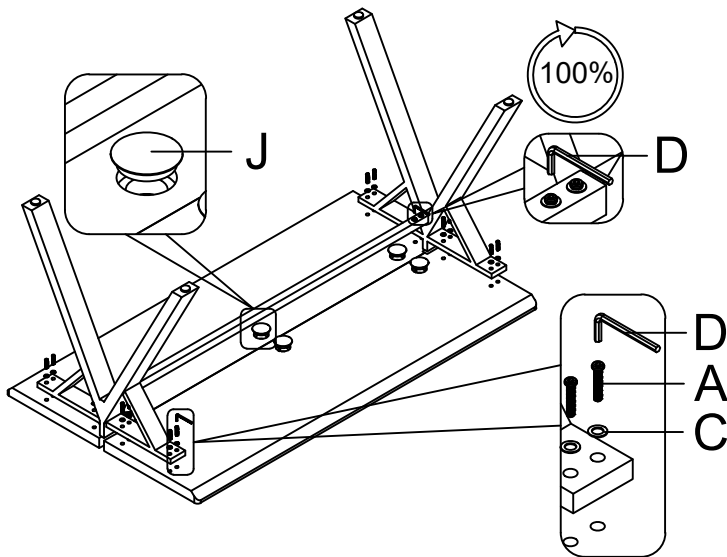
## STEP 1



## STEP 2



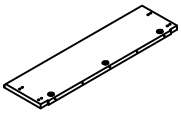

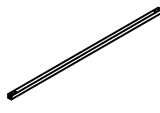


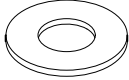



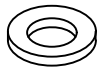




## STEP 3



DI-139-1

Please strictly follow the instructions manual for assembly. Using the wrong screws may result in damage to the product.

At least 2 people are required for product assembly

1  2pcs	2  2pcs	3  1pc	
A  M8*45mm 16pcs	B  M8*10mm 4pcs	C  20pcs	D  1pc
E  3pcs	F  6pcs	G  6pcs	H  6pcs
I  2pcs	J  6pcs	K  3pcs	