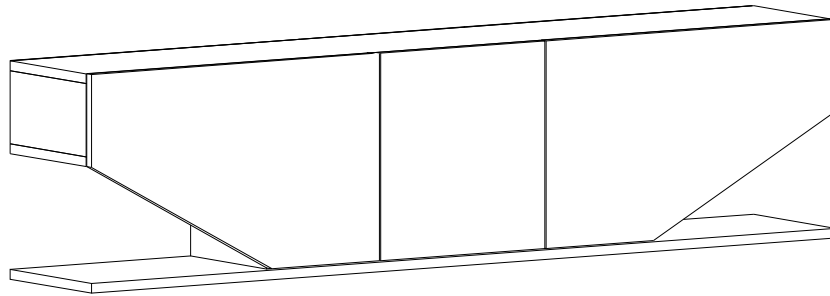


Assembly guide

Tv Stand



introduction



Valued Customer,

We design and carefully manufacture our products for our customers, We wish that our customers to have fun while they are doing their new furniture

The product you just purchased was subjected to all sorts of tests and controls before sending out to you.

Hope you enjoy your new furniture!!!

Before starting, please check all components and accessories according to the provided list. If you purchased more than one product, to prevent confusion, be sure that you completed the first product, then start the next one. Please make sure that you select correct numbered part and use specific connector to assemble. We do not recommend any modification or rotation in assembly. Please follow the manual carefully.

Furniture parts are going to several manufacturing procedures. During this process, parts can have little dust or marks. Please clean the parts with damp cloth before assembly to get the best result. Usual cleaning would be suffice.



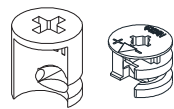
Although all products are carefully manufactured and packed, sometimes we experience damage during transportation. In such cases, please check the damaged part, note the part number written on the part and do not hesitate to contact us

Do not use your furniture for out of purposes. If you would like to use it out of purpose or would like to do some modification or rotation, please contact us for more details.

Please do not expose your furniture with excessive heat, cold and humidity because product can be affected negatively.

getting familiar with the main components

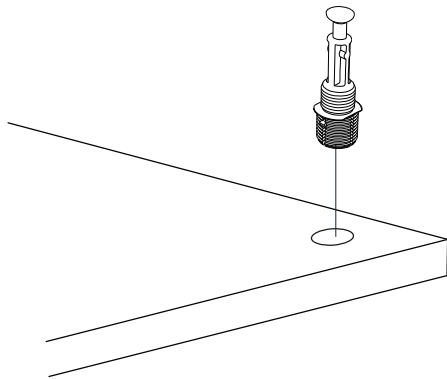
*Minifix is the main connection component used in Decorotika products. Before starting, please check the below figures



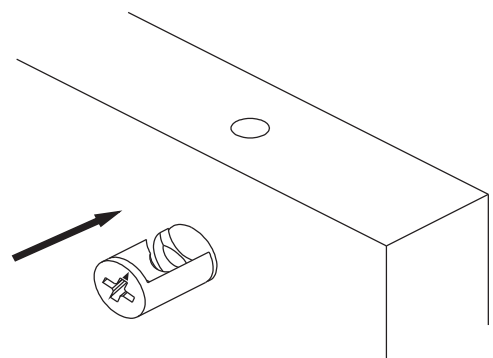
MINIFIX
HEAD



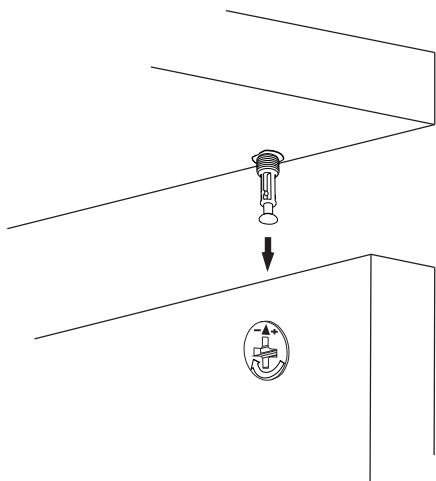
MINIFIX
SCREW



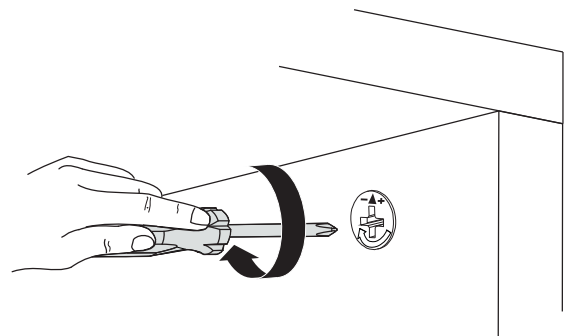
*Please notice that there is an small arrow on A02 (minifix head). This arrow should show the direction of upper hole.



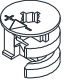

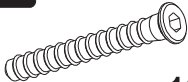


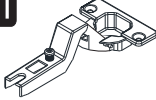
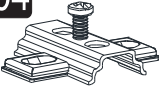

*After attaching two pieces please turn the A02 (minifix head) clockwise direction with the help of a screwdriver.



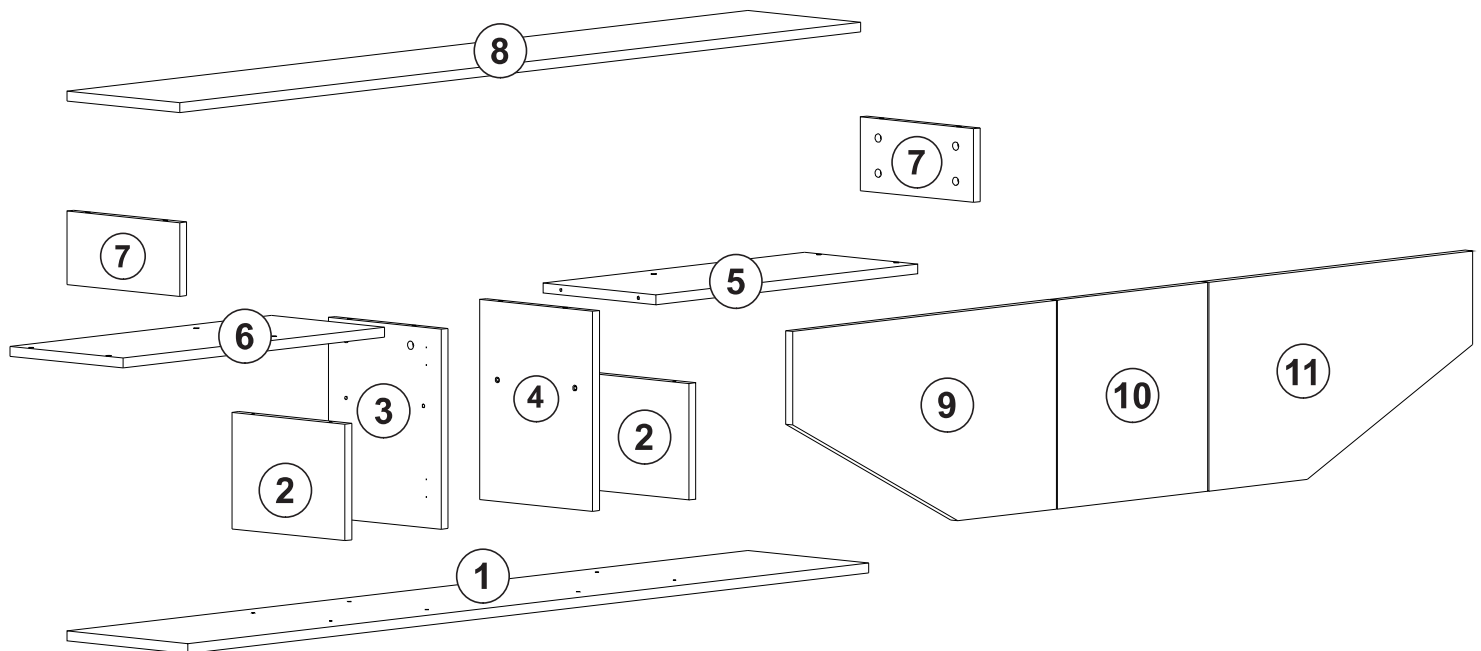
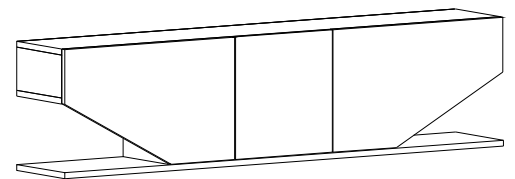
*Please do not over screw the minifix head since it may be broken if too much power is imposed. Just make sure that it is screwed to the direction “+” do not go any further.



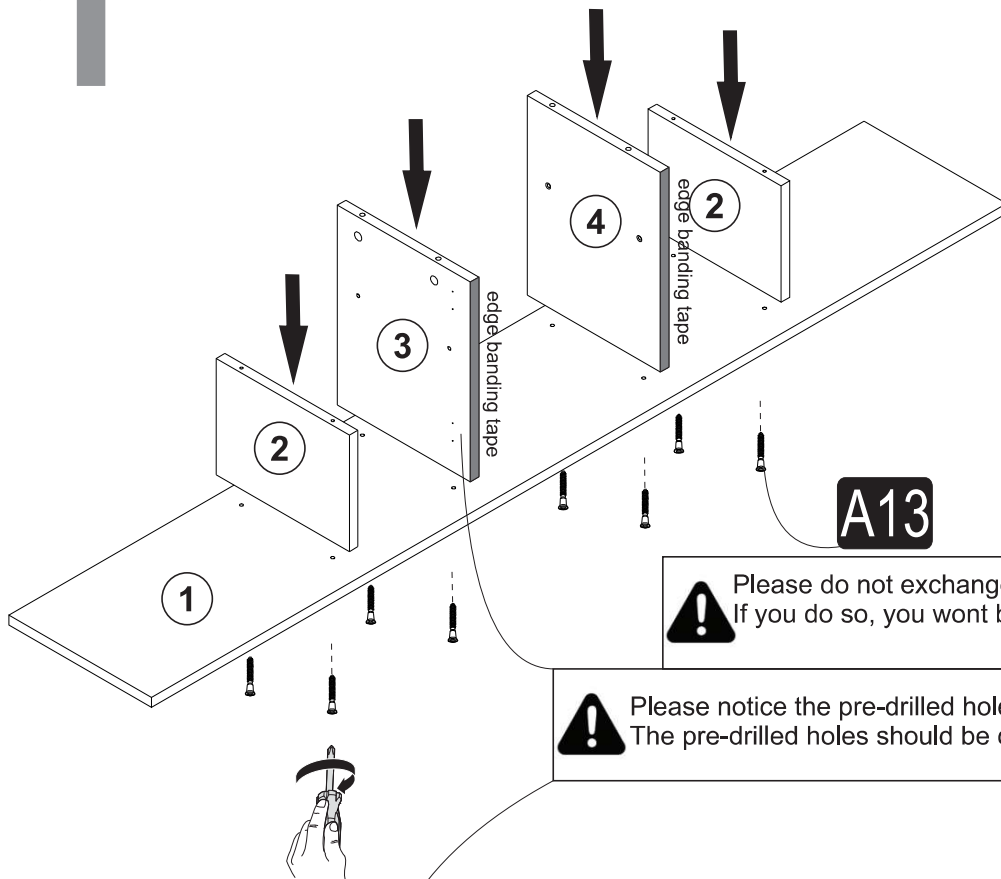
ACCESSORY LIST

A02 minifix head  12x	A03 minifix screw  12x	A13 50 mm screw  16x	A09 3,5x16 mm screw  24x	
A06 18 mm sticker  c1 28x	C01 bracelet  6x	C04 pivot  6x	A08 Ms  8x	A05 nail 60x

GENERAL VIEW



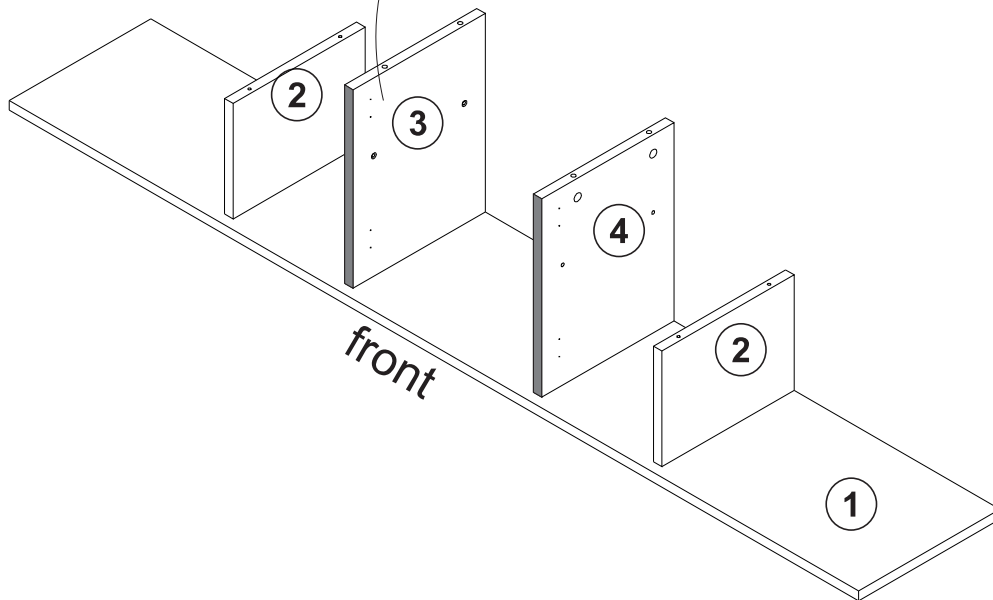
1



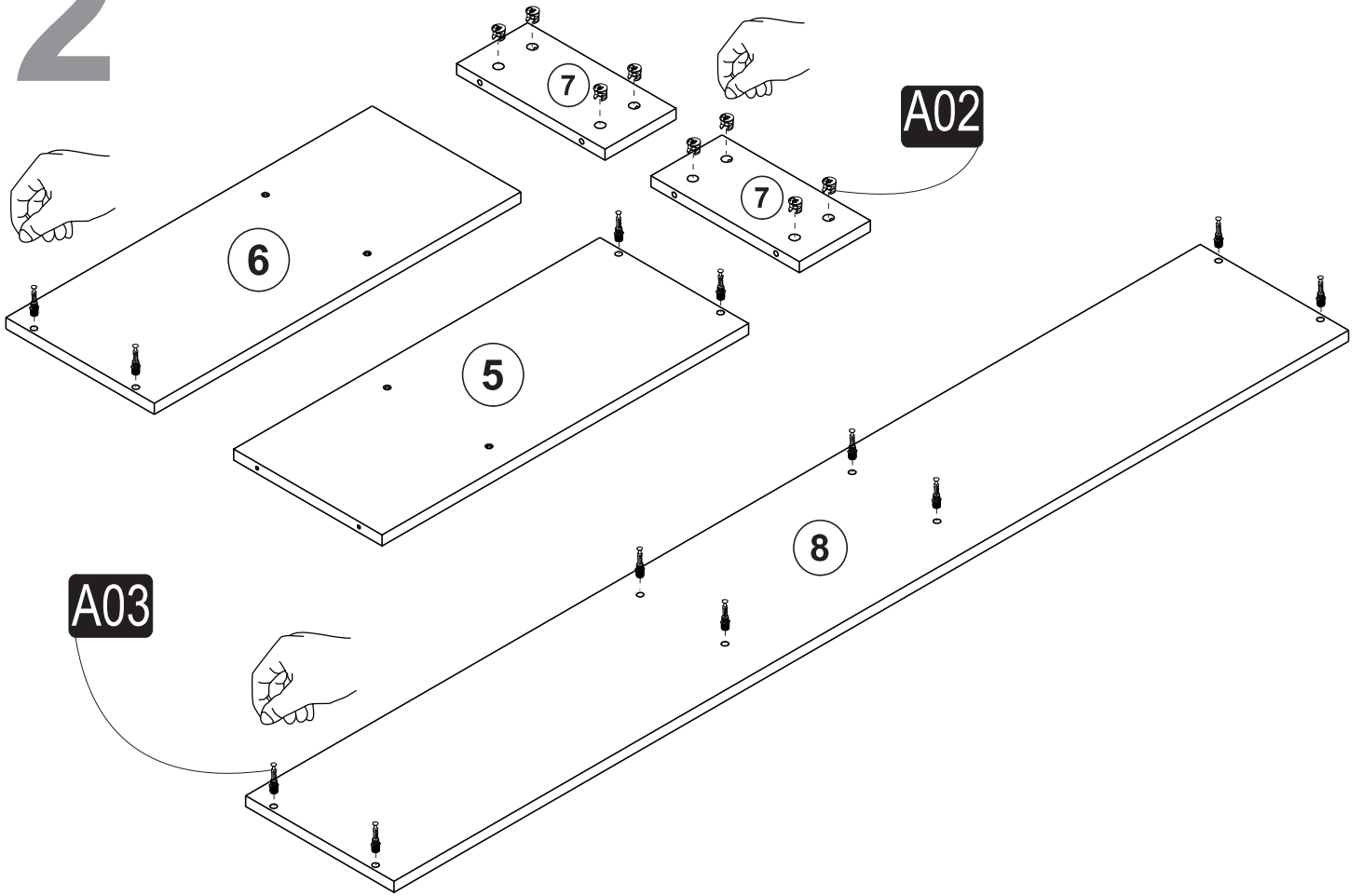
A13
⚠ Please do not exchange the location of the pieces #3 and #4.
If you do so, you won't be able to install the piece #9

⚠ Please notice the pre-drilled holes on the pieces #3 and #4.
The pre-drilled holes should be on the front side of the tv stand.

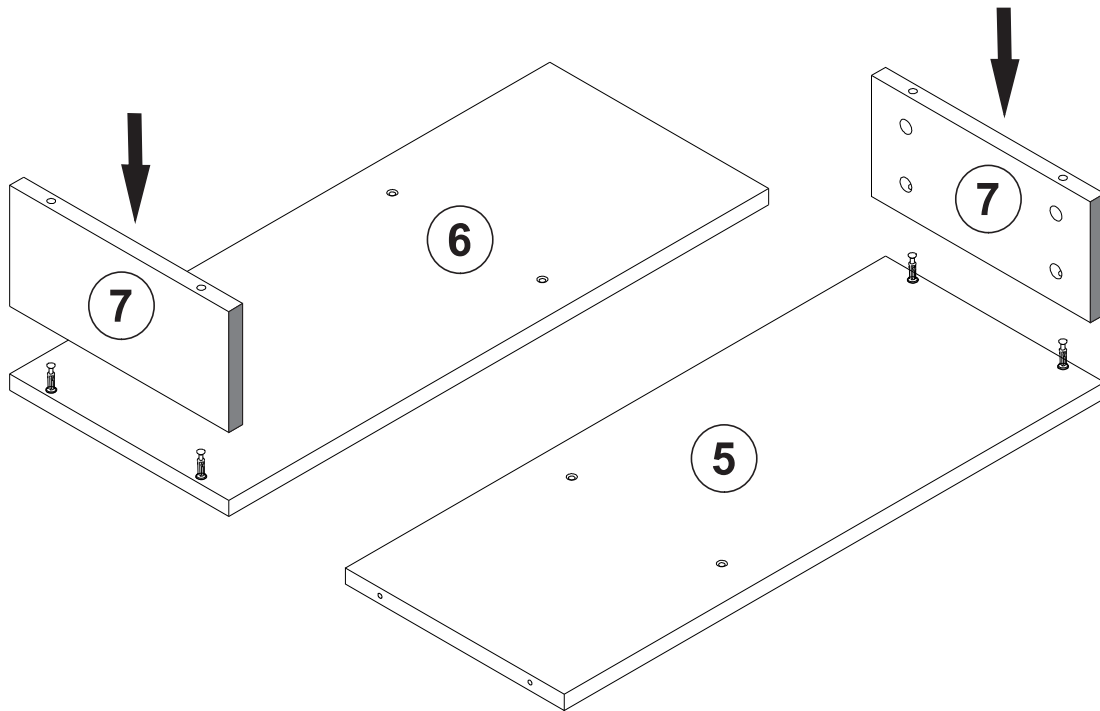
after installation



2

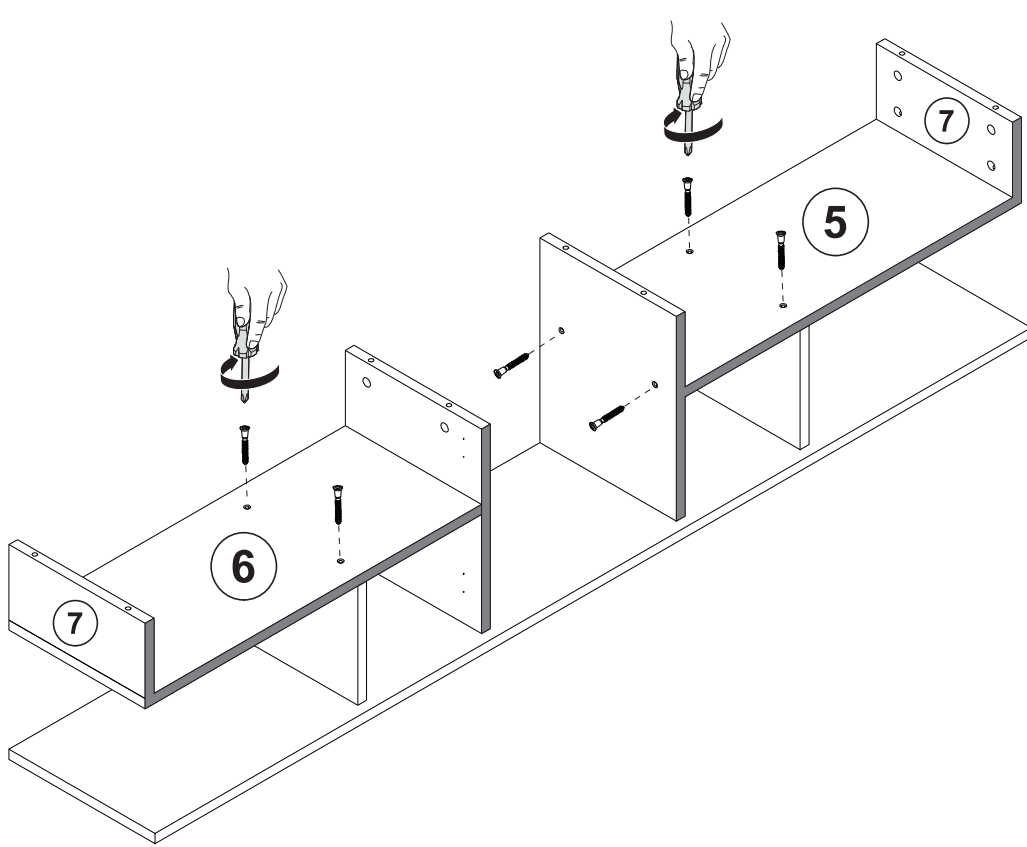


3

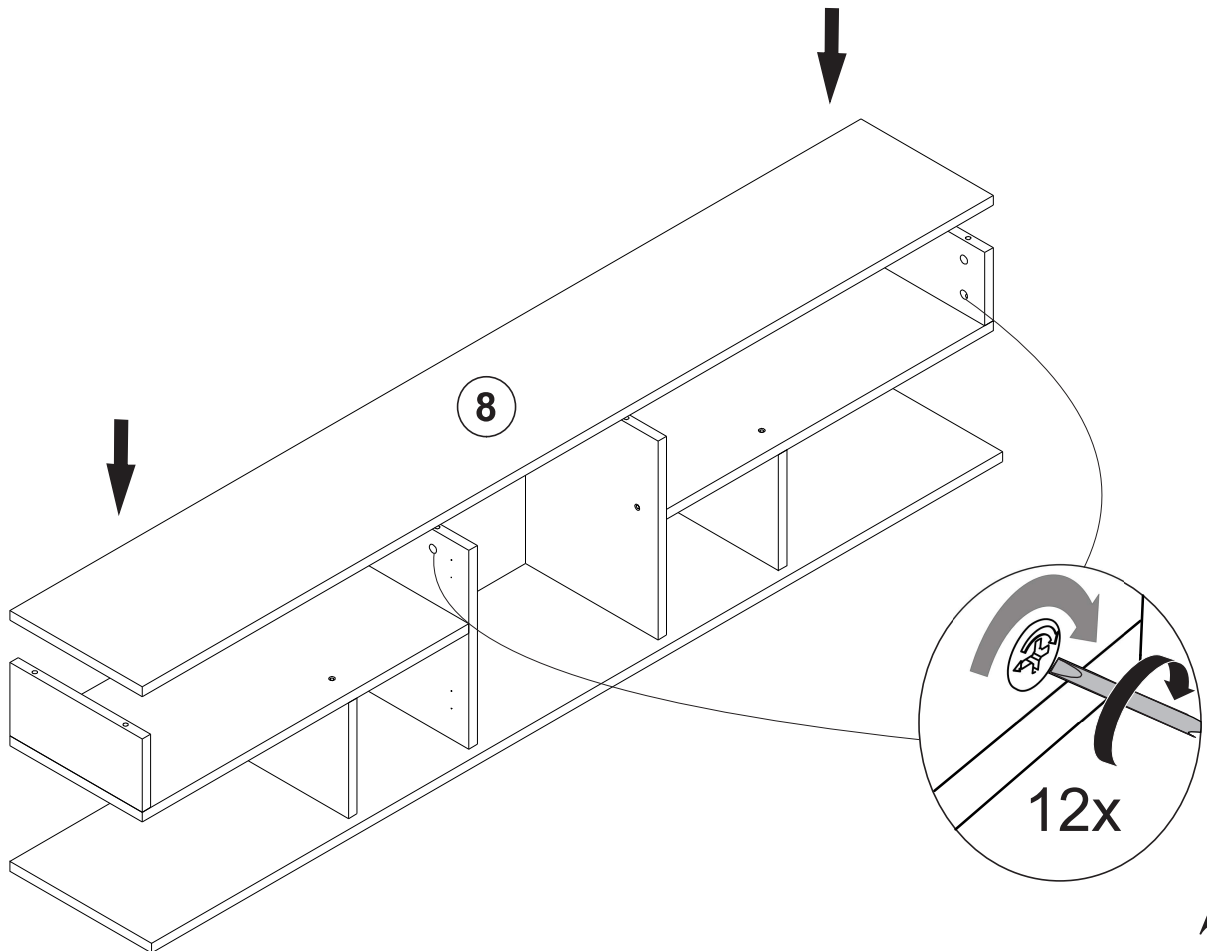


6

4

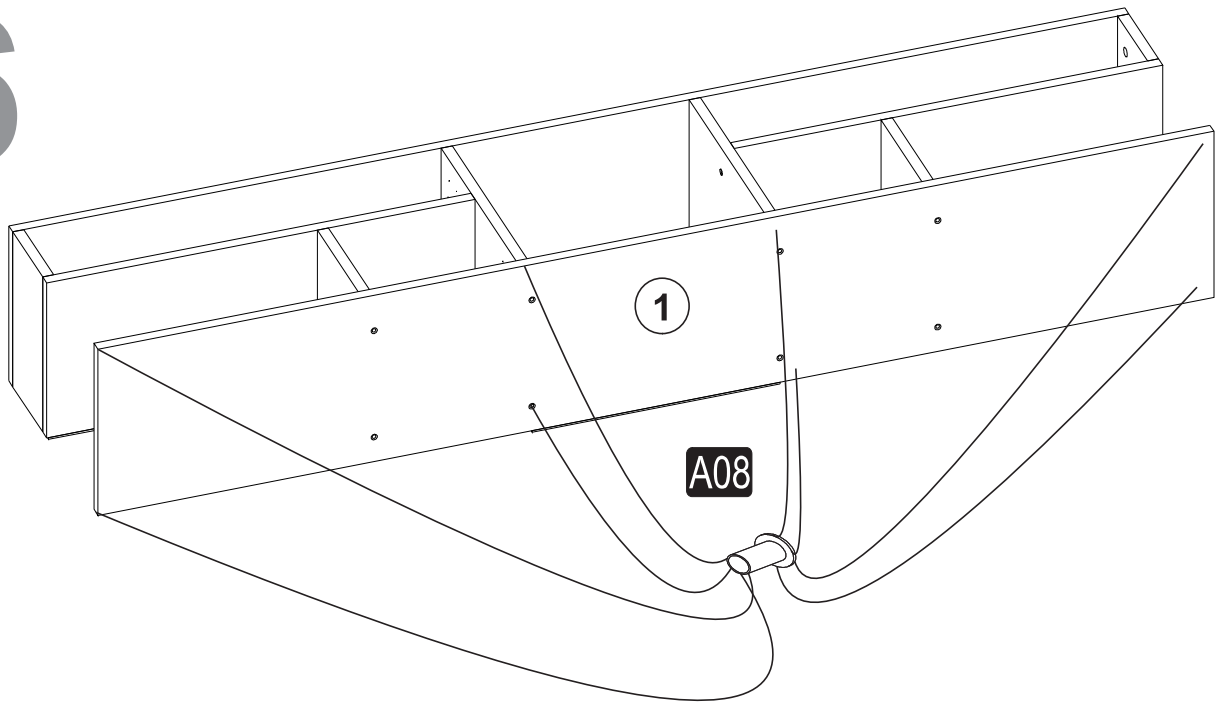


5

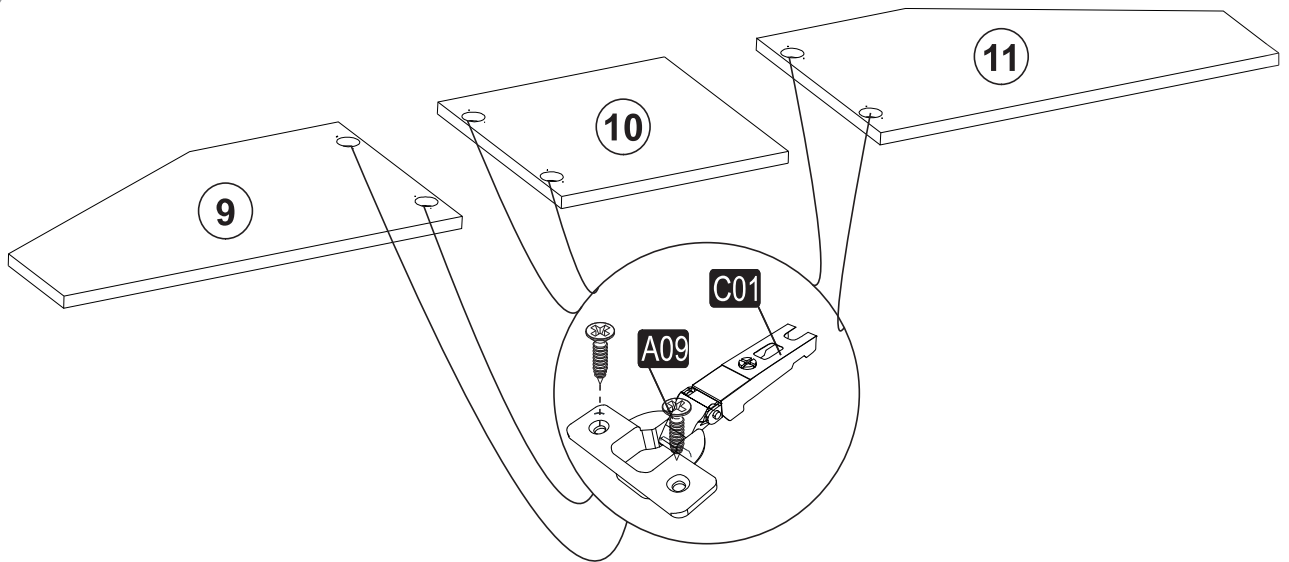


7

6

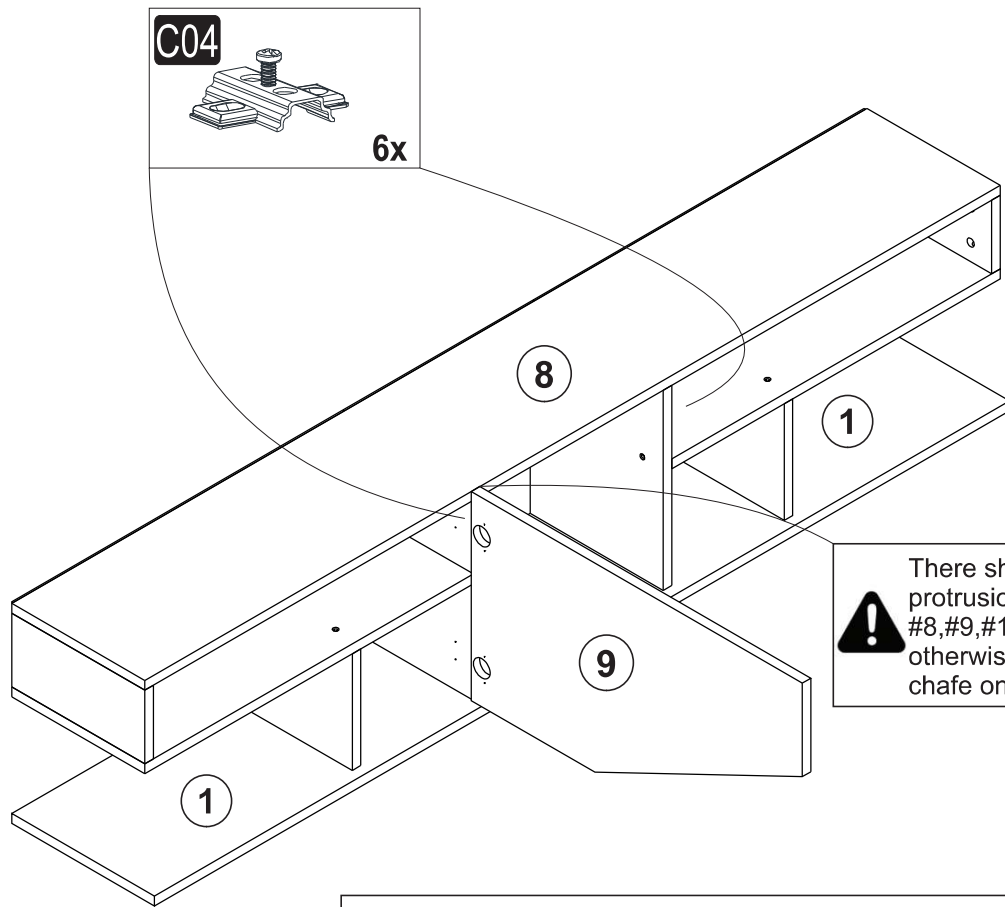


7



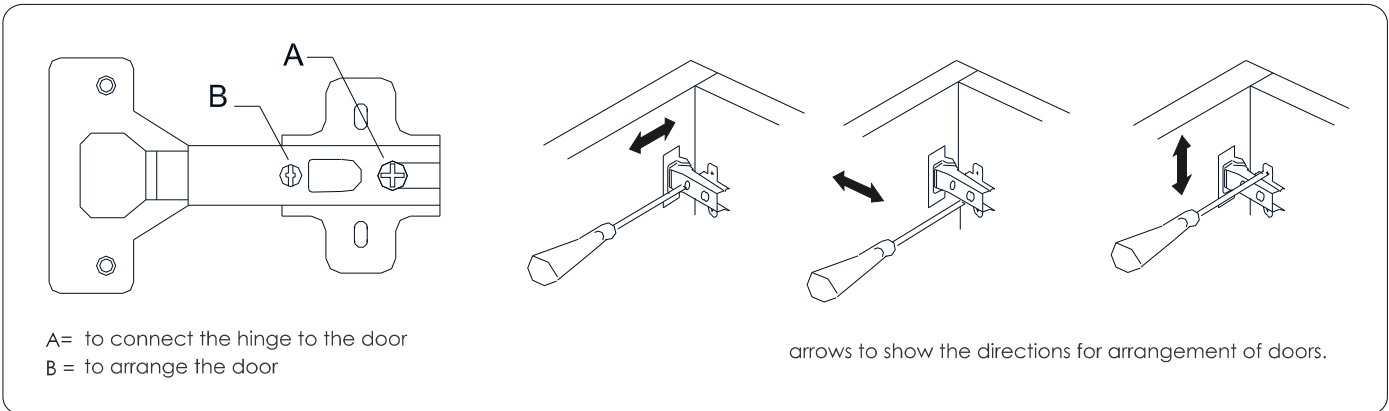
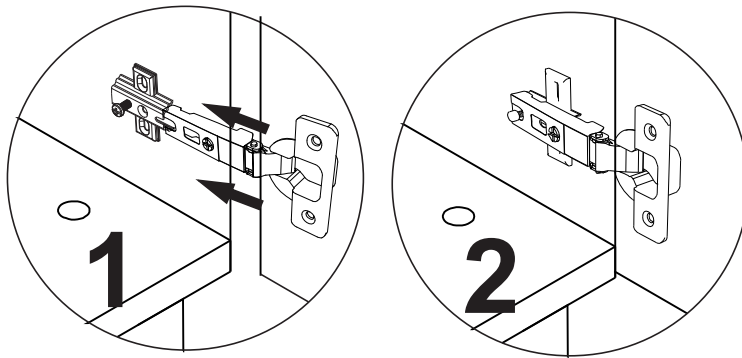
8

8

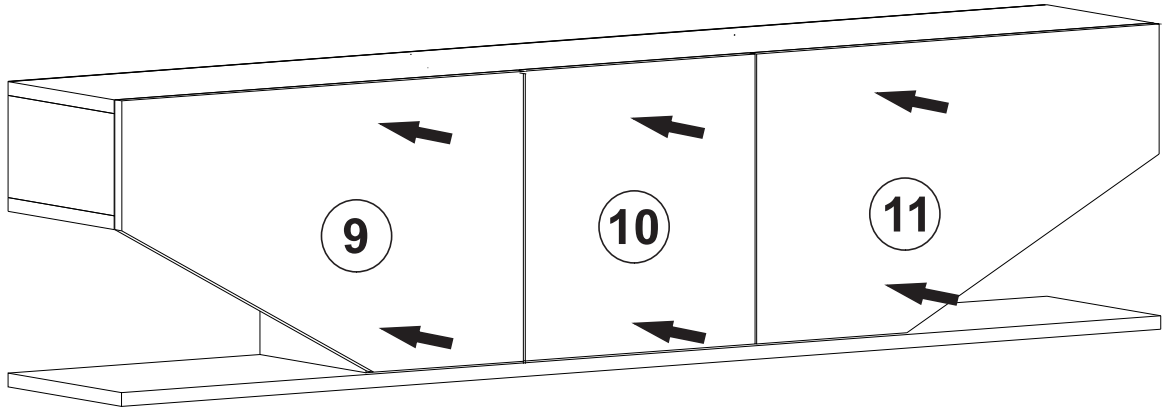


! There should be no protrusion on the pieces #8,#9,#10 and #11, otherwise your doors will chafe on the piece #1

! If you are having problem aligning of the doors,you can watch hinge installation videos on the internet or get help from professionals

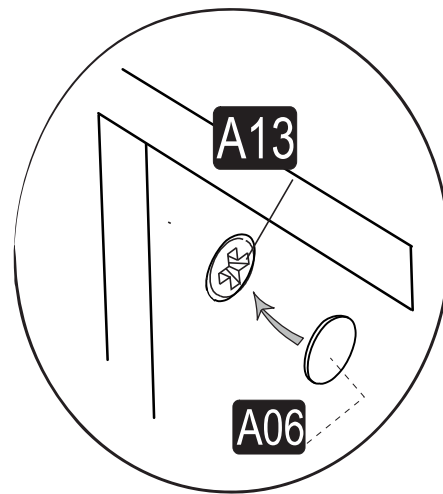
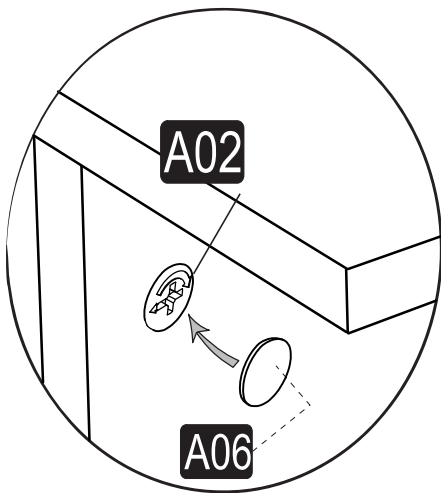


9

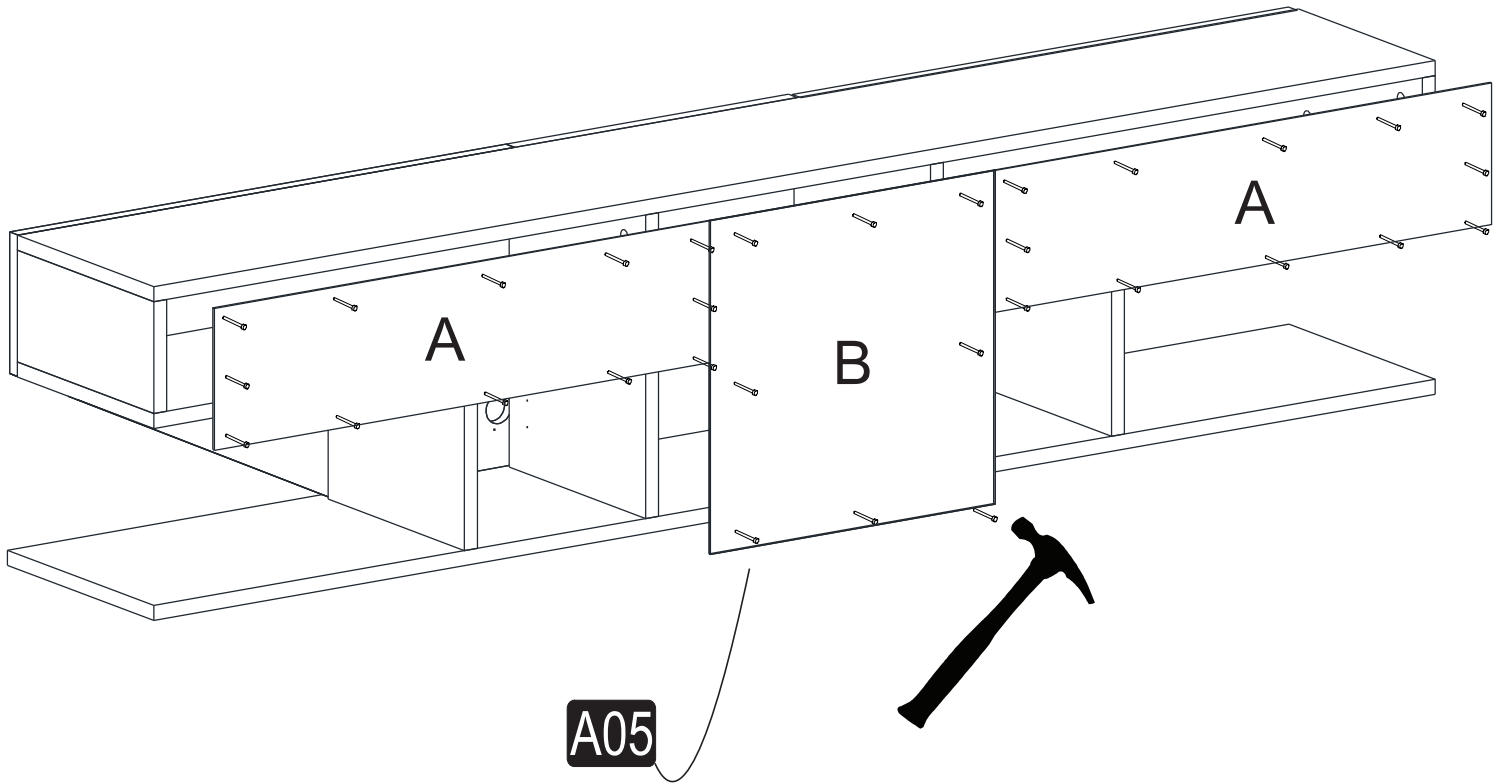



10

*For the best appearance of your furniture please place all A06(18 mm sticker) onto the A02 (minifix head) and A13(50 mm screw).



10



 We definitely advise to install back panels A and B to make your tv stand sturdier

final look

