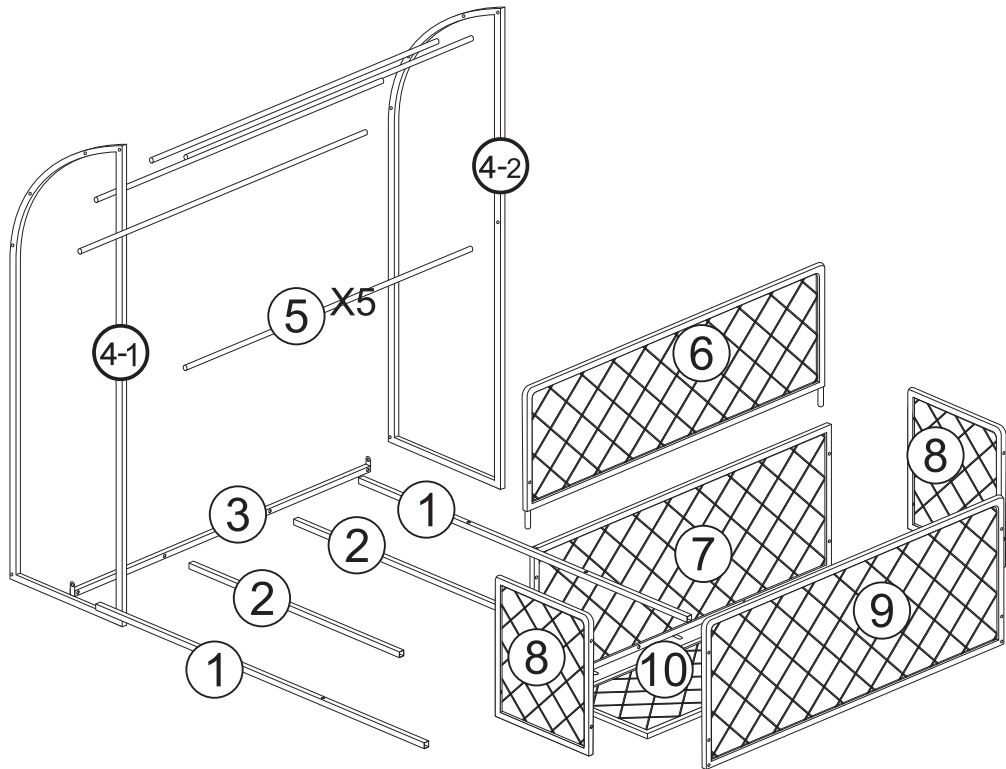
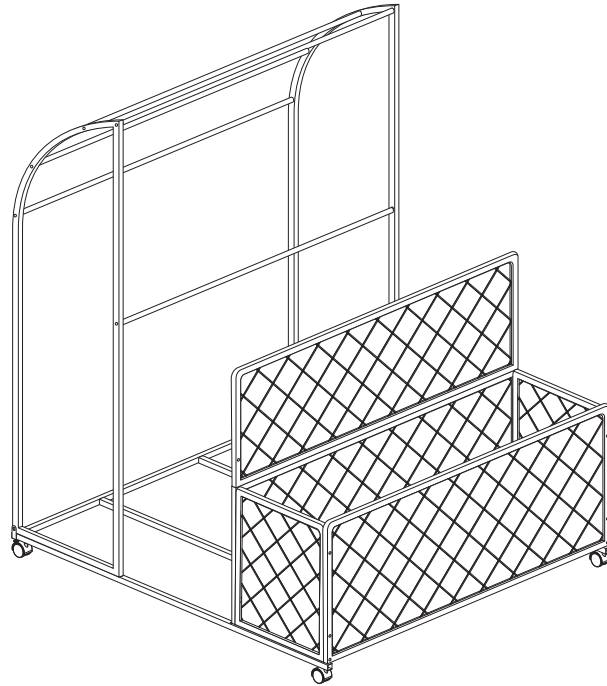
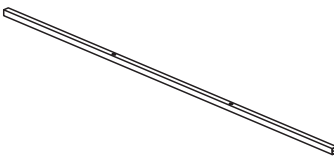
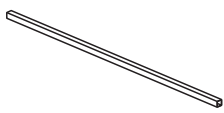
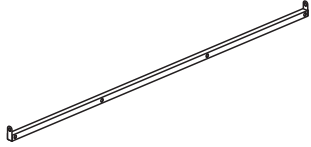


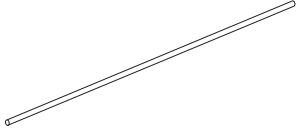
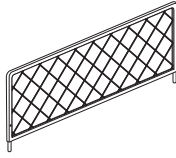
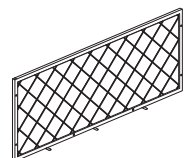

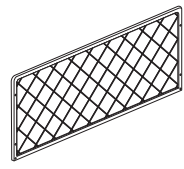
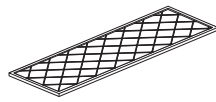
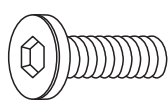
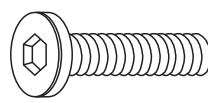



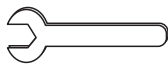



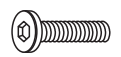

Installation Manual

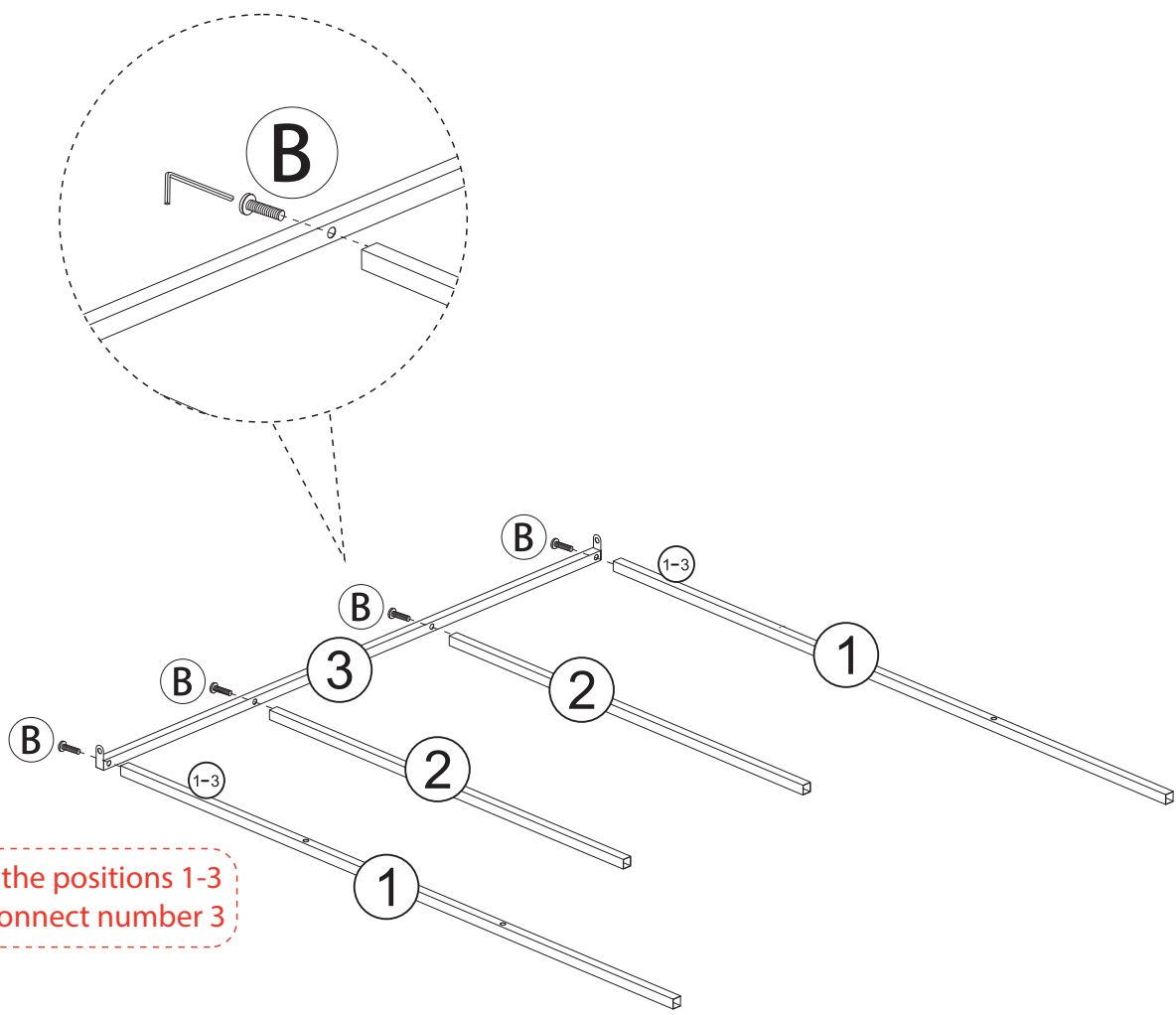


 <p>① x 2pc</p>	 <p>② x 1pc</p>	 <p>③ x 1pc</p>	 <p>④-1 x 1pc</p>
 <p>④-2 x 1pc</p>	 <p>⑤ x 5pc</p>	 <p>⑥ x 1pc</p>	 <p>⑦ x 1pc</p>
 <p>⑧ x 2pc</p>	 <p>⑨ x 1pc</p>	 <p>⑩ x 1pc</p>	

 <p>Ⓐ x 2pc</p>	 <p>Ⓑ x 28pc</p>	 <p>Ⓒ x 1pc</p>	 <p>Ⓓ x 2pc</p>
 <p>Ⓔ x 2pc</p>	 <p>Ⓕ x 1pc</p>		




1

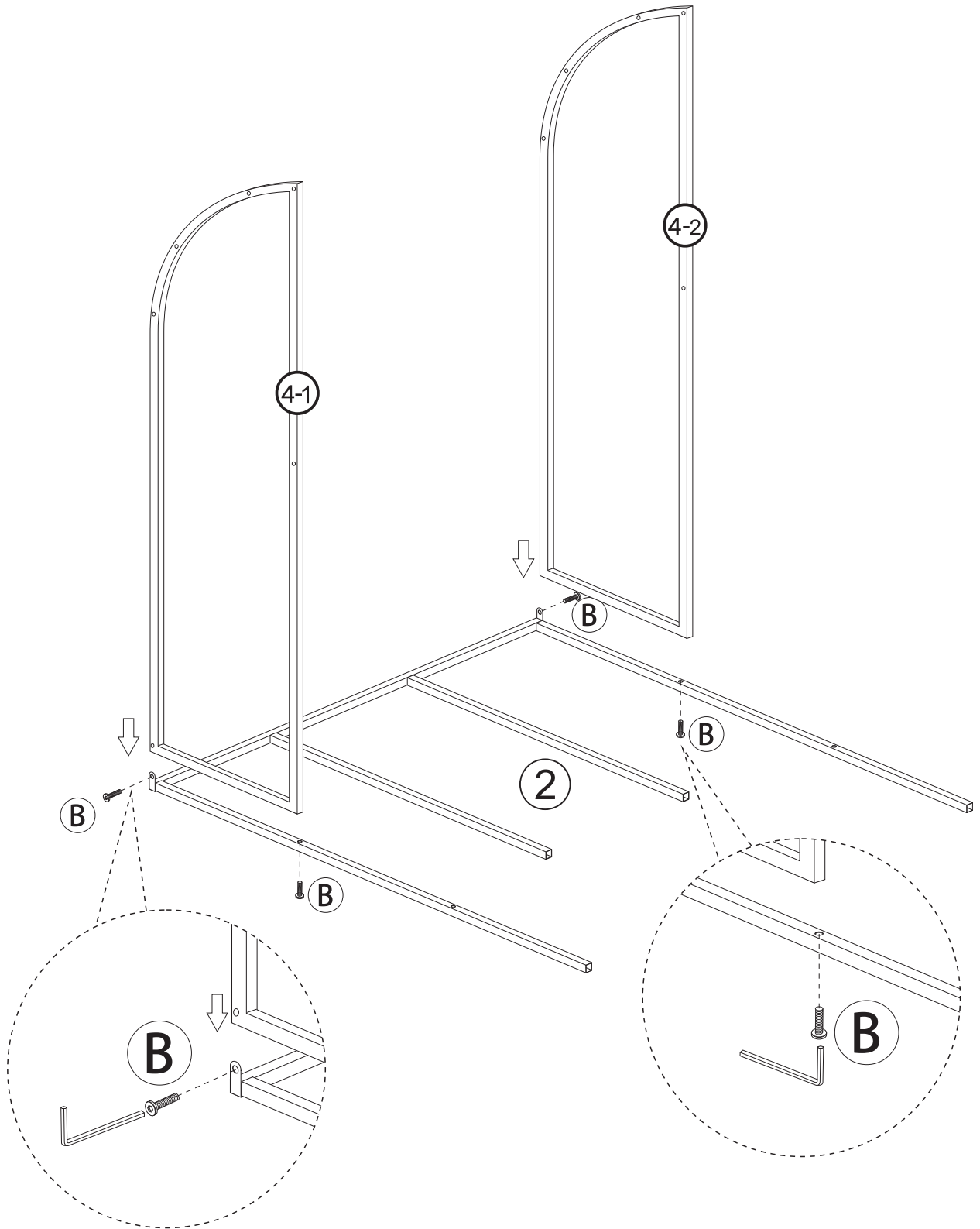
	
	B x4pc




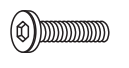

Paste the positions 1-3
and connect number 3

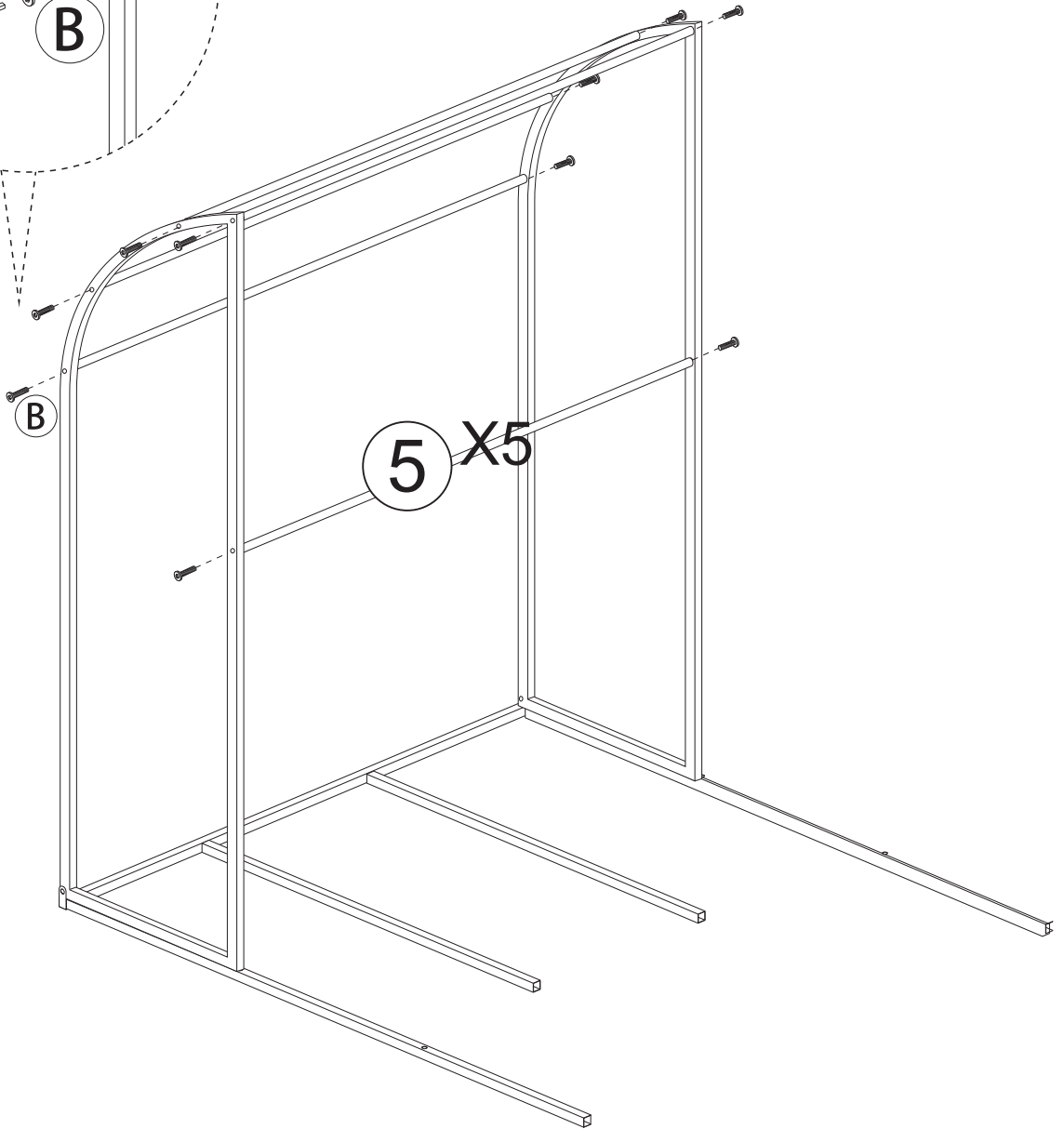
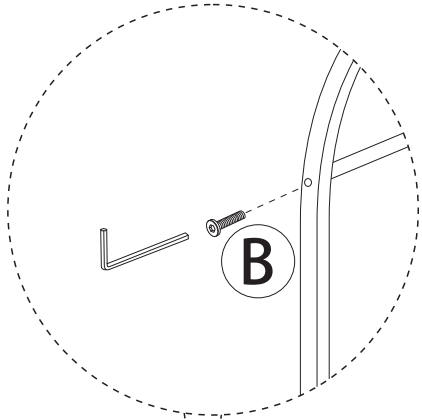
2

 <p>70%</p>	
	<p>ⓑ x4pc</p>



3

	
	ⓑ x10pc



4



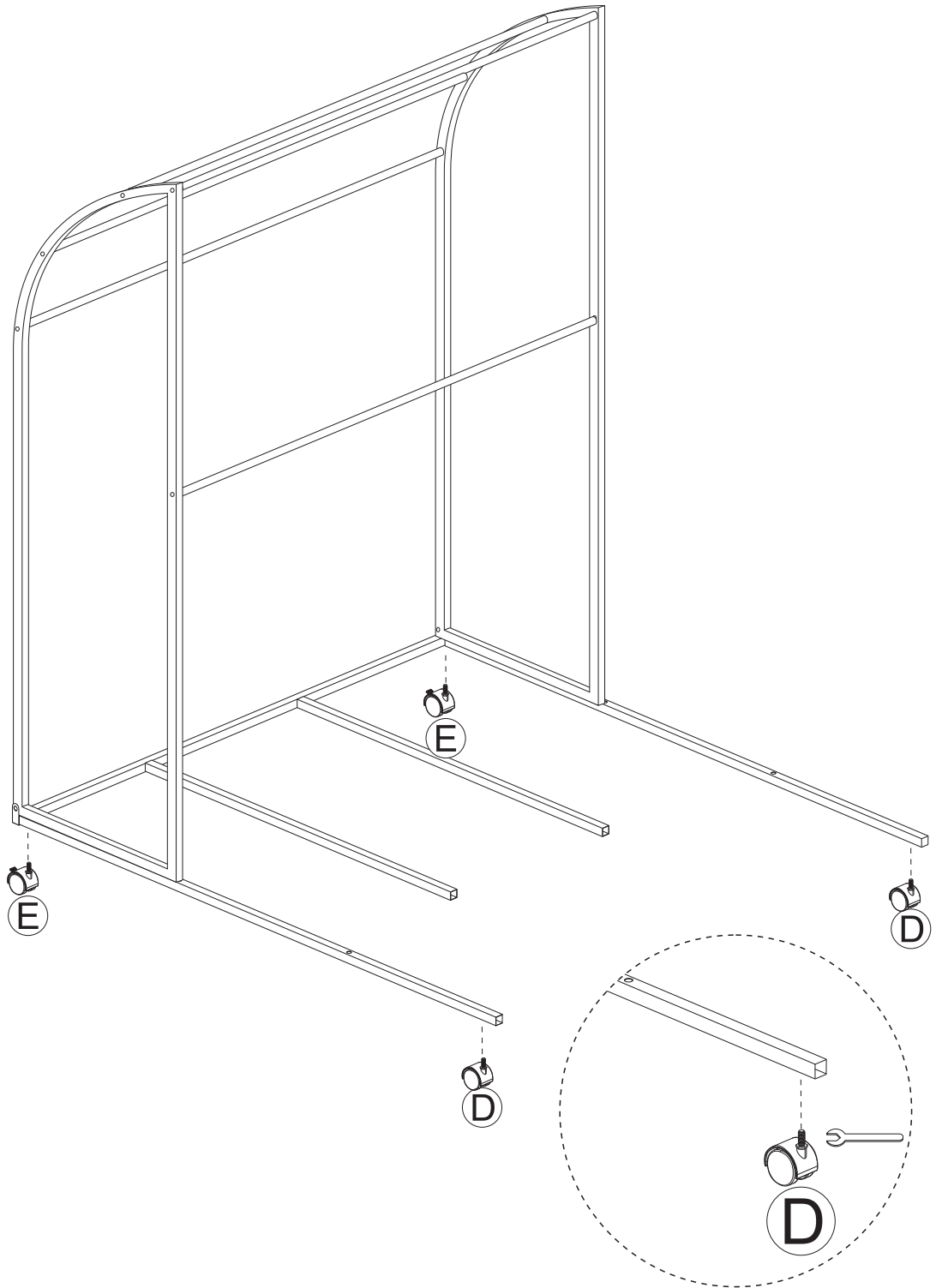
ⓓx2pc







ⓔx2pc

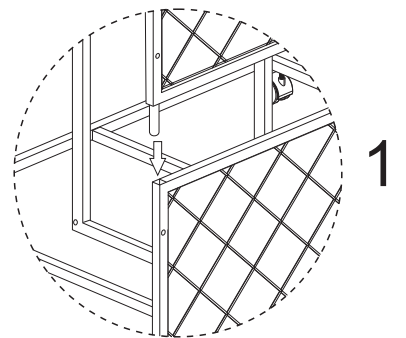
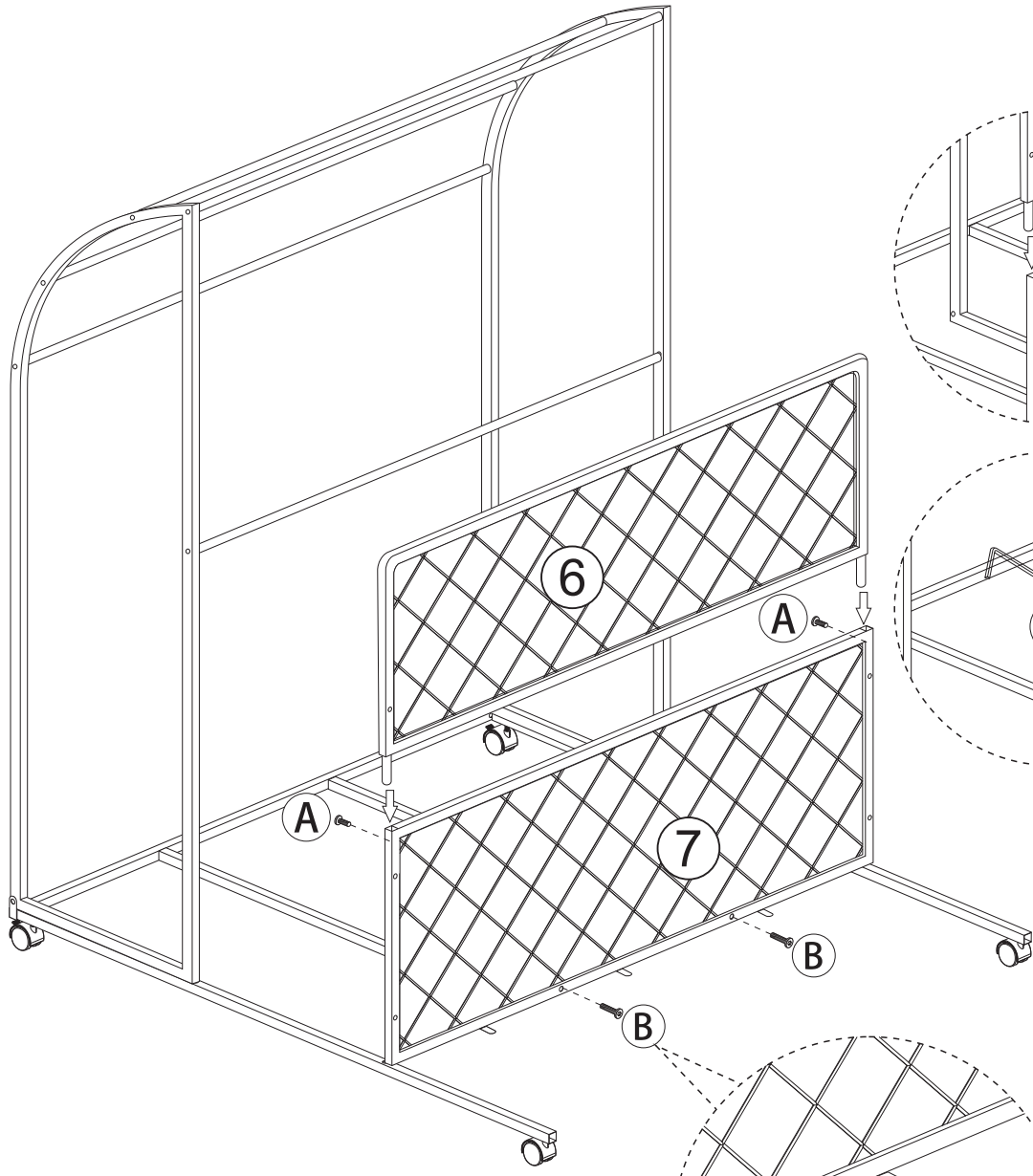


ⓕx1pc

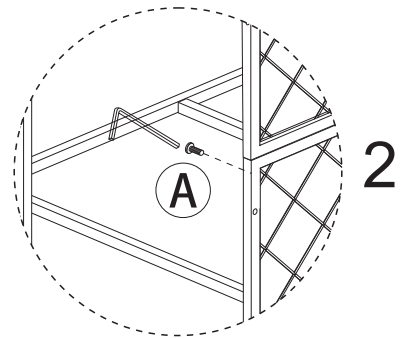


5

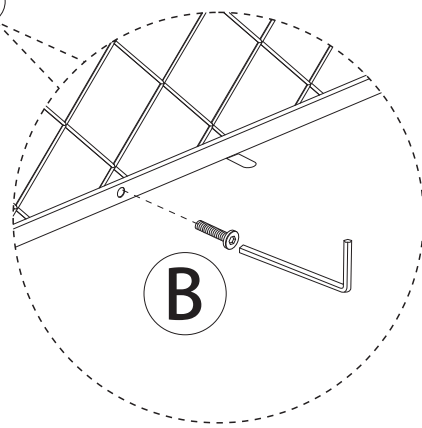
 	 A x2pc	 B x2pc
---	---	---



1






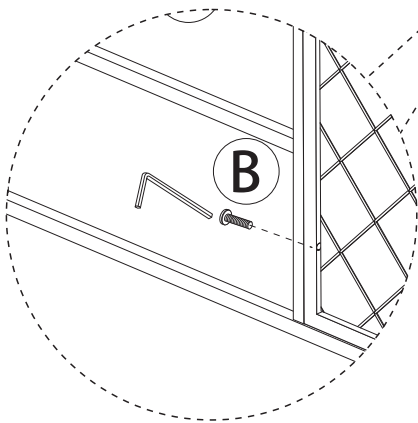
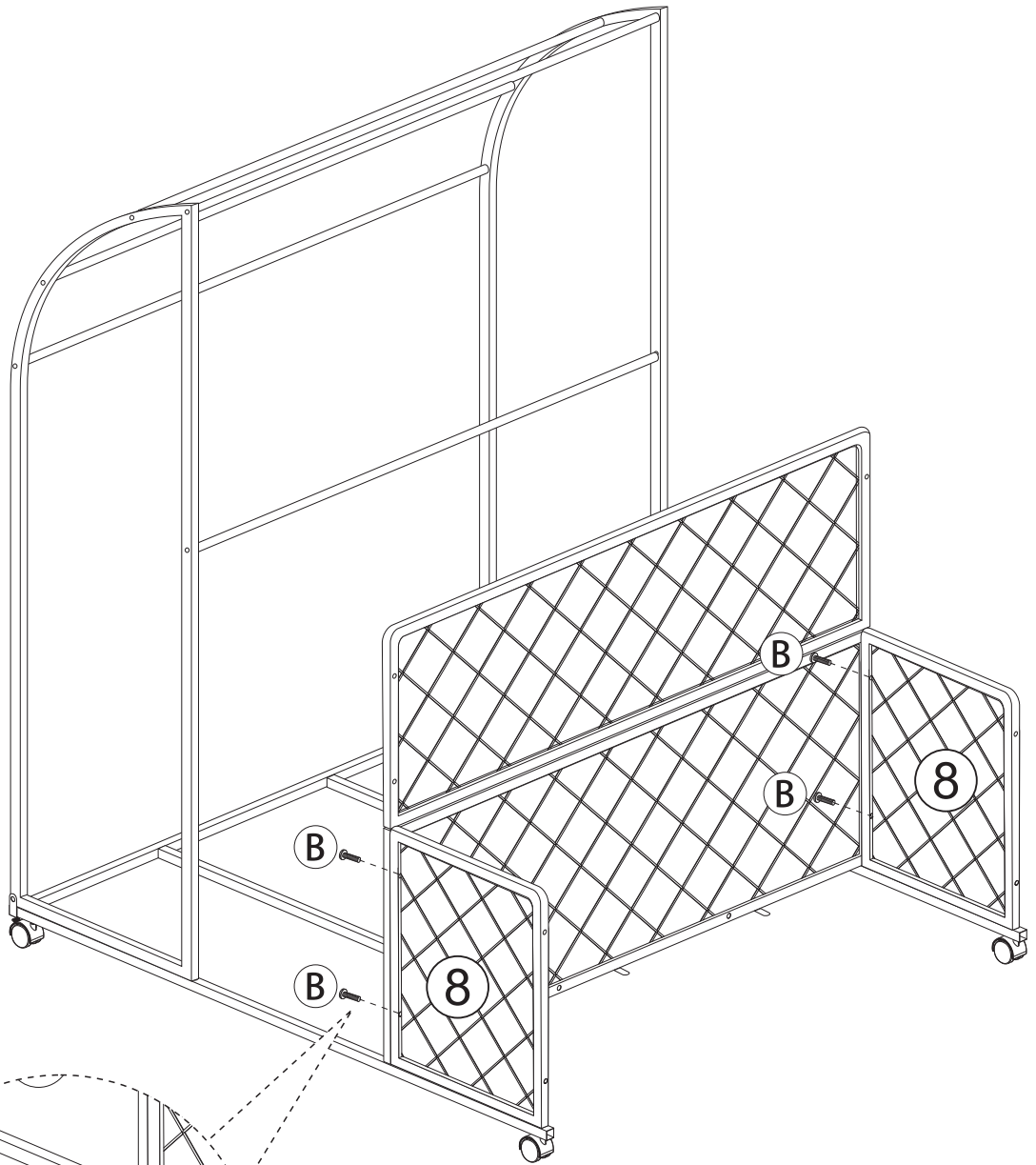
2




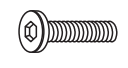

B

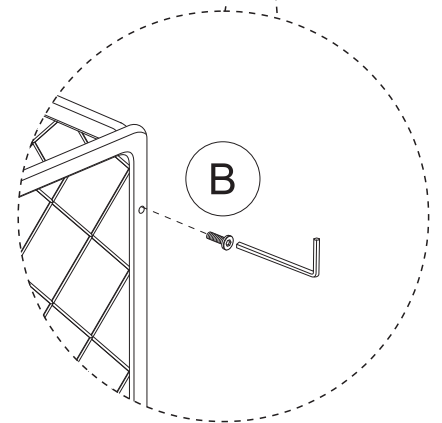
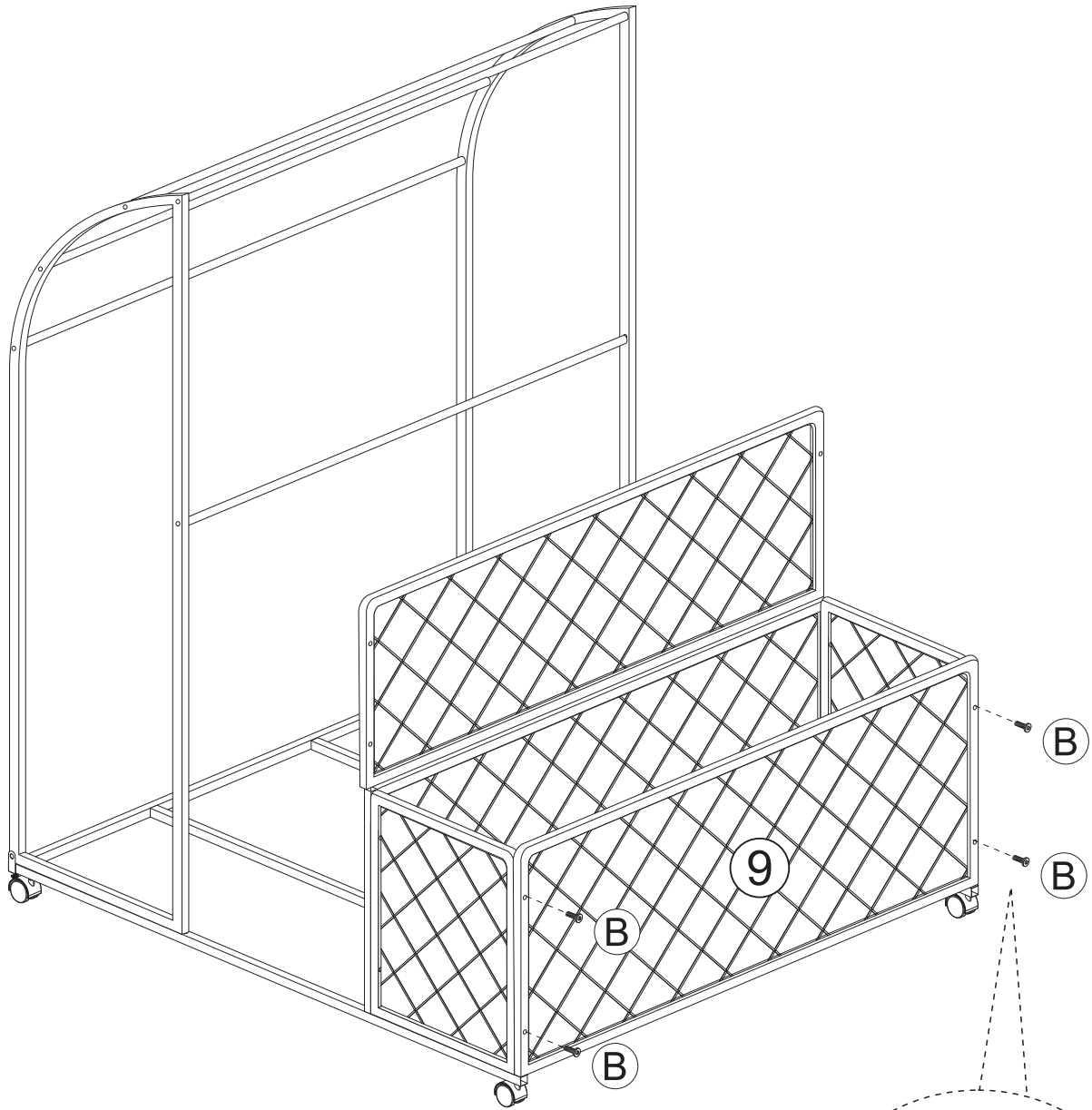
5

 70%	
	Ⓑ x4pc

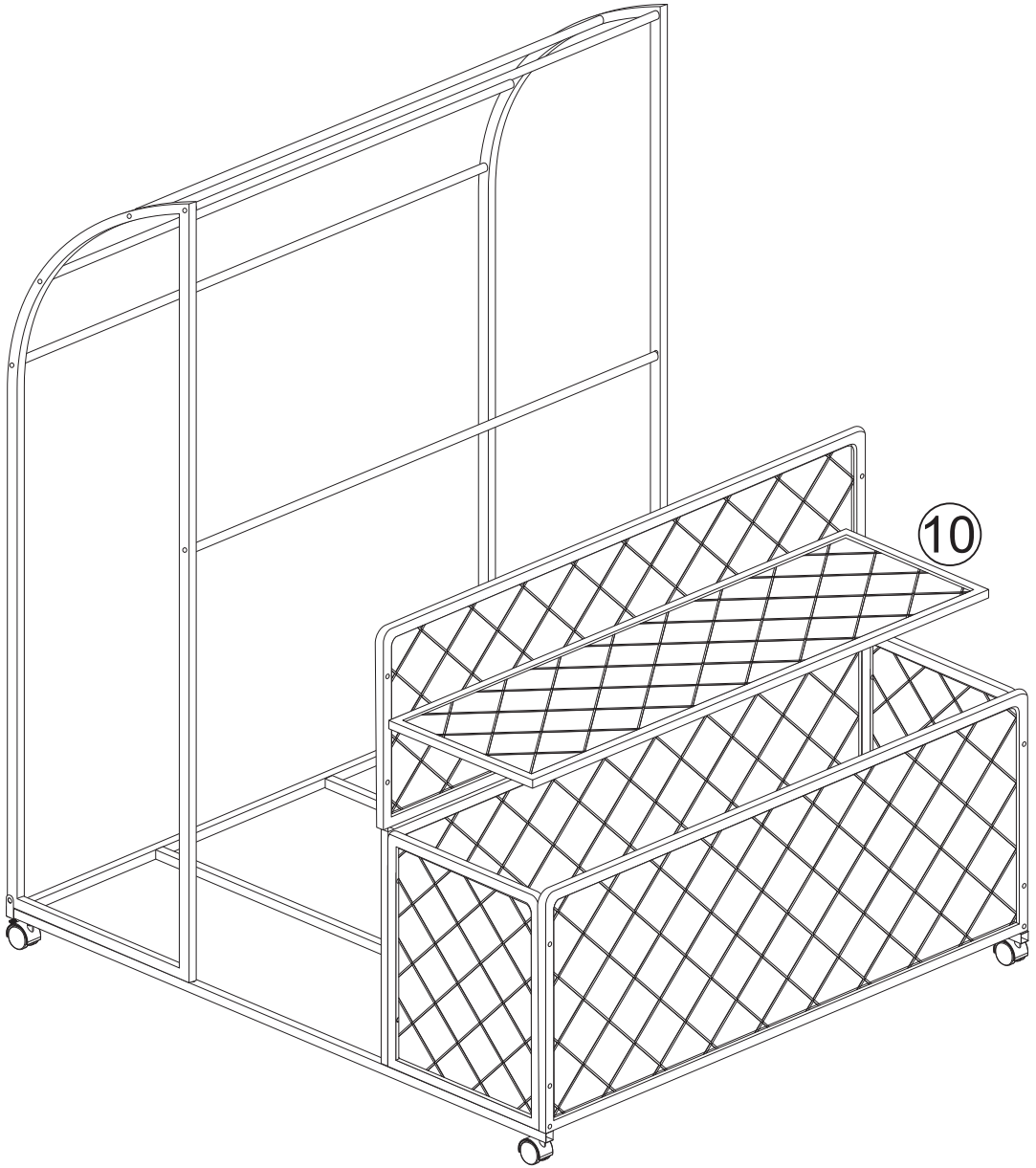


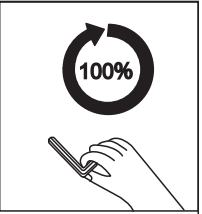
6

	
	B x4pc



7





Tighten all screws to 100% after inspection.

