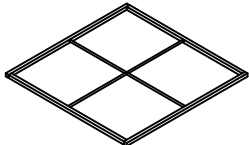
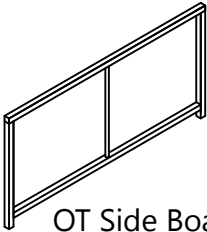
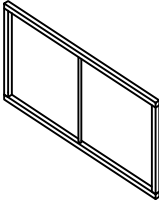
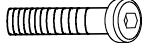

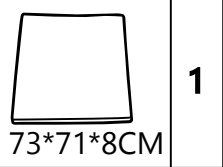
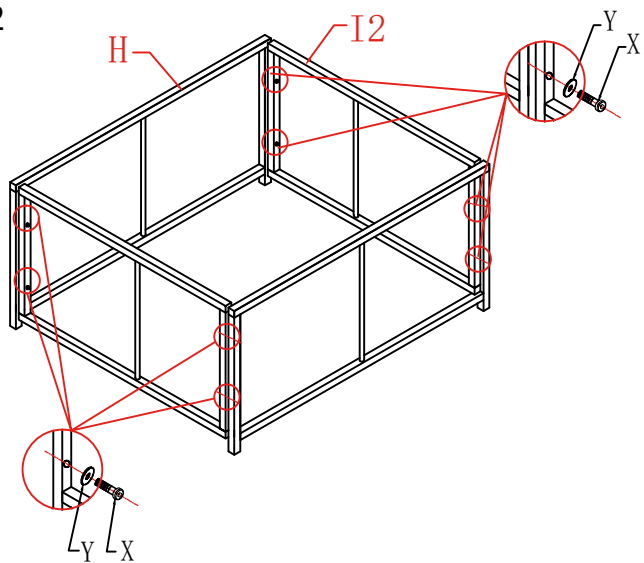


ASSEMBLY INSTRUCTIONS

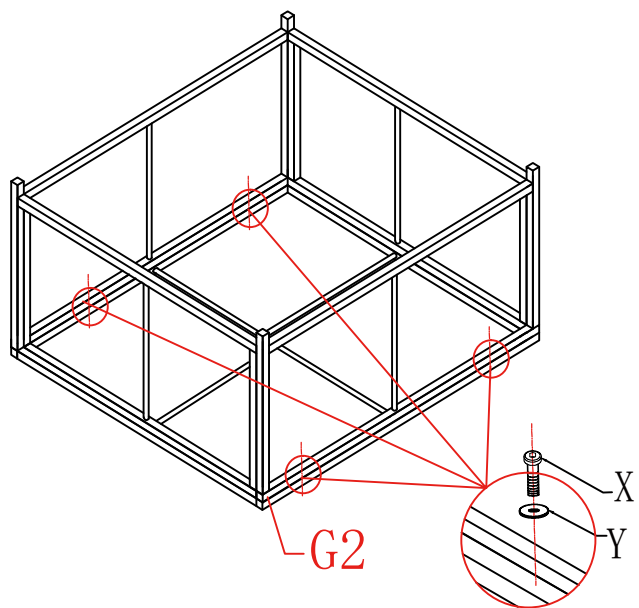
G2	 OT Top	1
H	 OT Side Board	2
I2	 OT Side Board	2
X	 M6*35	12
Y		12



Step 1 2



Step 2

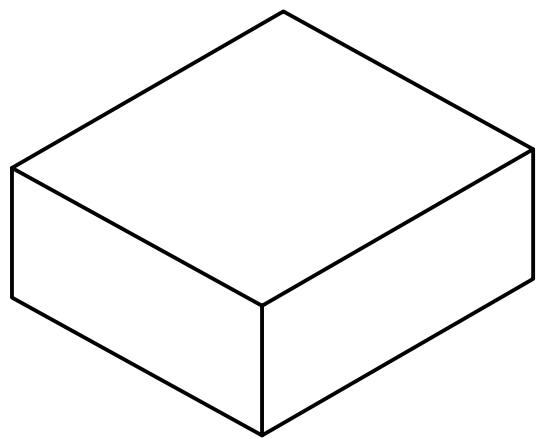


Notice:

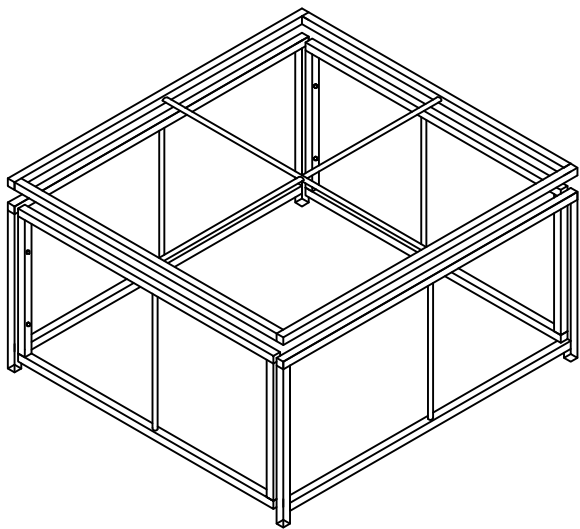
1. Remove the sponge from the cushion when washing.
2. Hand wash only. The washing machine and brush harm the fabric.



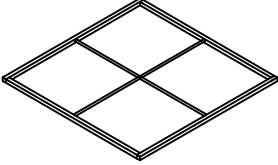
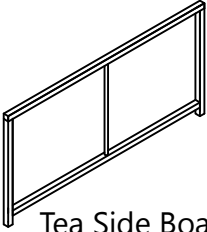
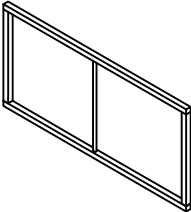
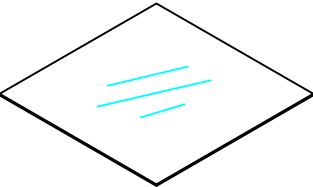
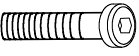

Ottoman



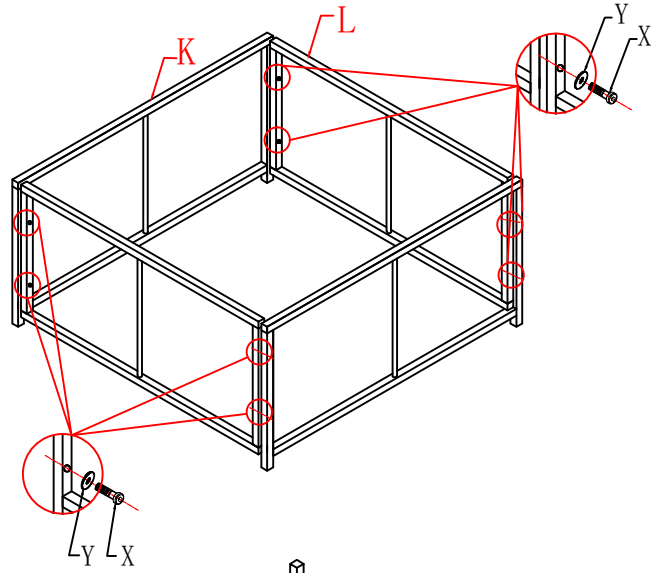
Step 3



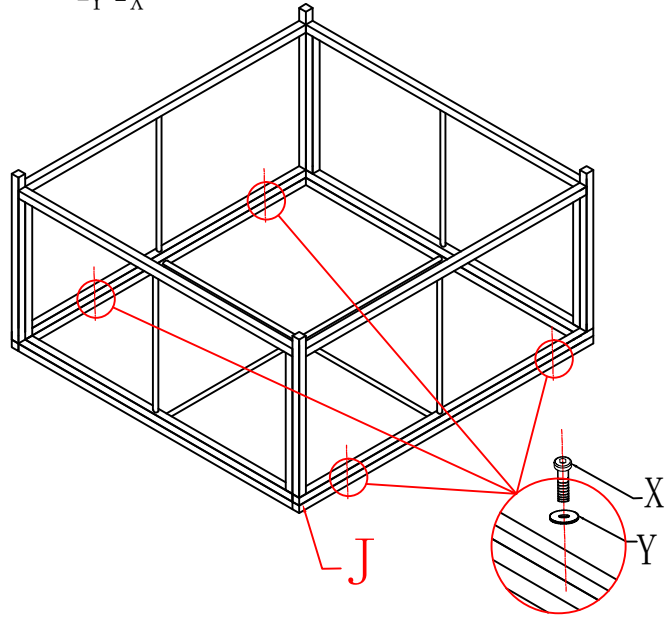
ASSEMBLY INSTRUCTIONS

J	 Tea Table Top	1
K	 Tea Side Board	2
L	 Tea Side Board	2
M	 Glass	1
X	 M6*35	12
Y		12

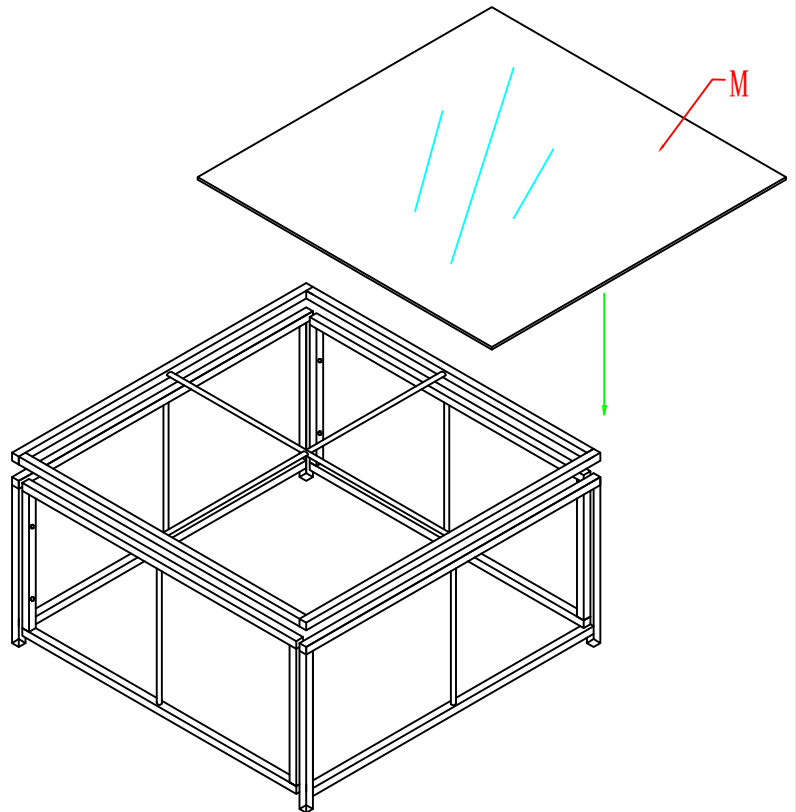
Step 1



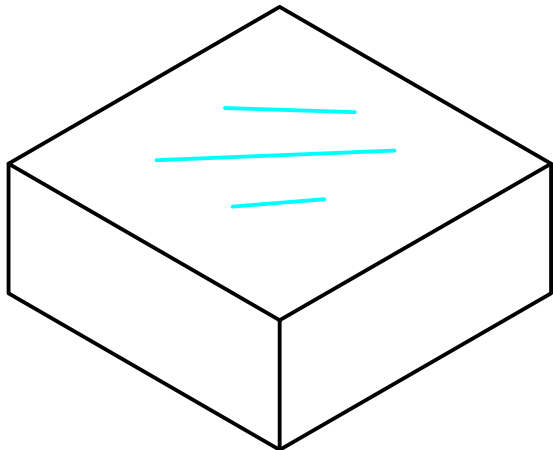
Step 2



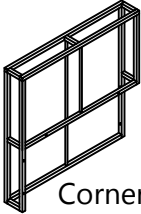
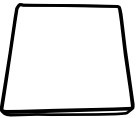
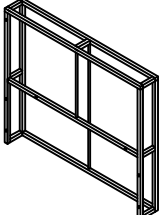


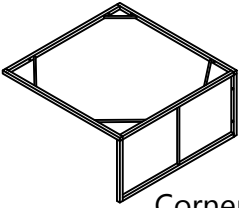
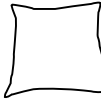
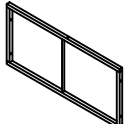
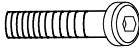
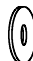

Step 3



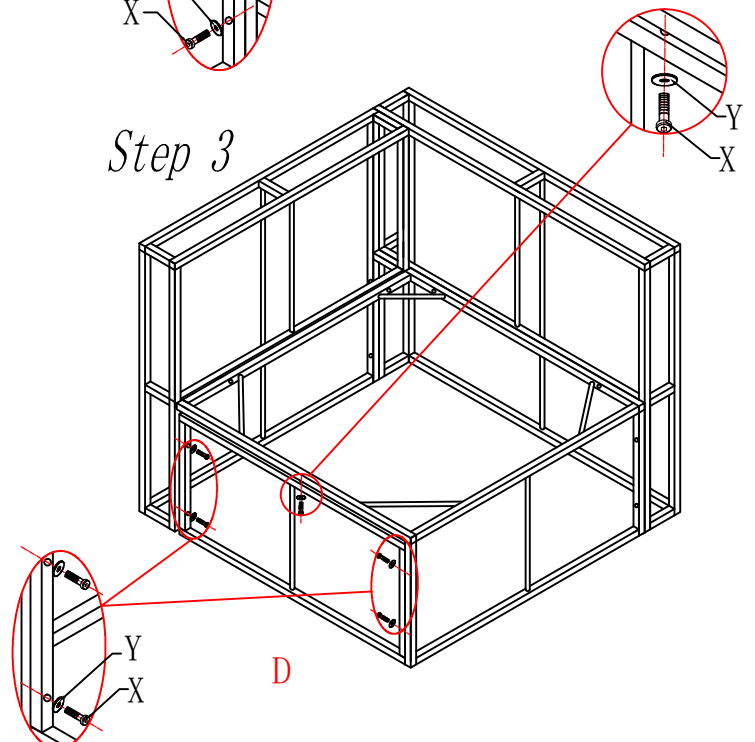
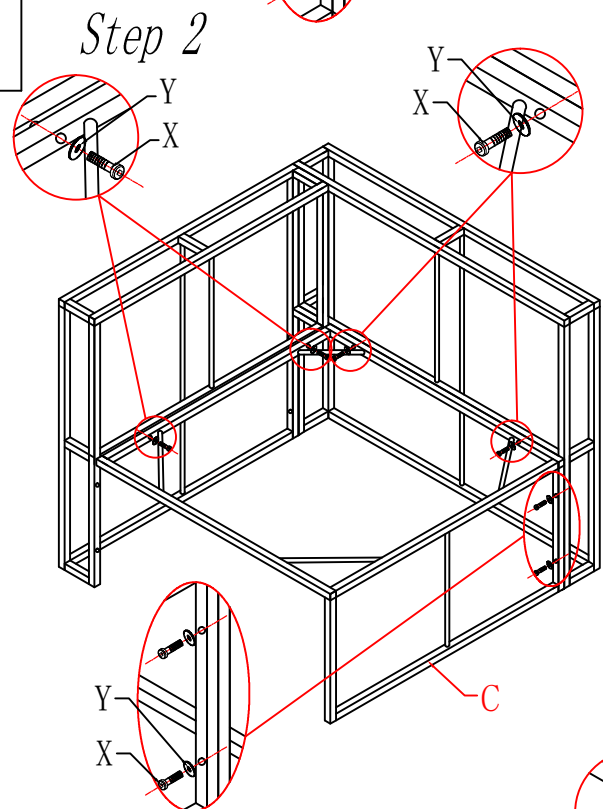
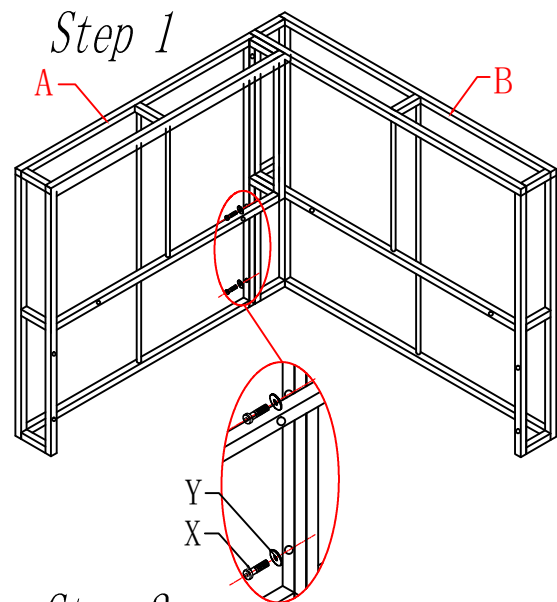
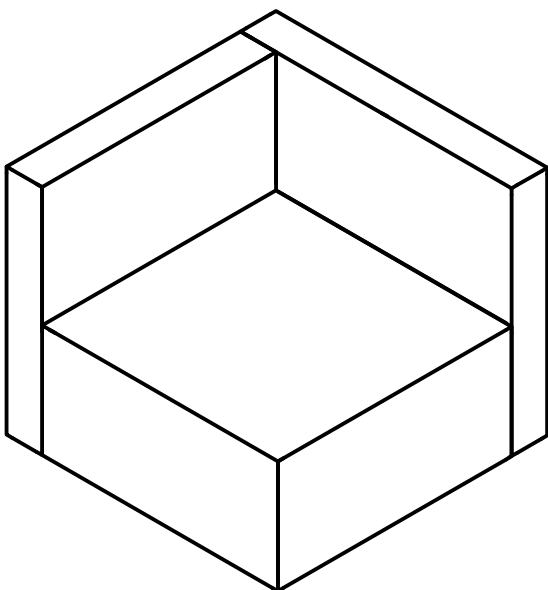
Coffee Table



ASSEMBLY INSTRUCTIONS

A	 Corner Back	1	 63*63*8CM	1
B	 Corner Armrest	1	 32*63*10CM	1
			 32*50*10CM	1
C	 Corner Seat	1	 45*45CM	1
D	 Side Board	1		
X	 M6*35	13		
Y		13		
Z		1		

Corner Sofa



1

The cushion can be fastened to the rattan with the effective horn button.



2

Open the rattan and fasten the horn button to a chosen position.



3

Attached to a spare tape, the horn button allows the cushion to move freely.



4

Contact us for any further problems concerning the item.

