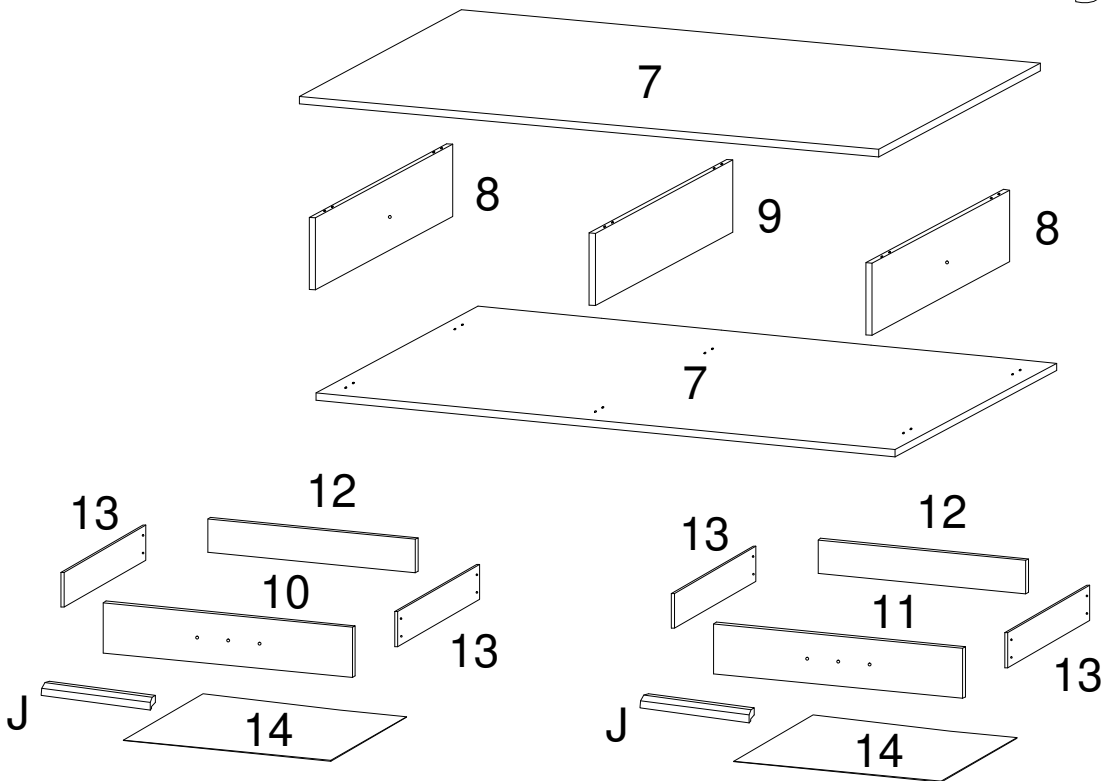
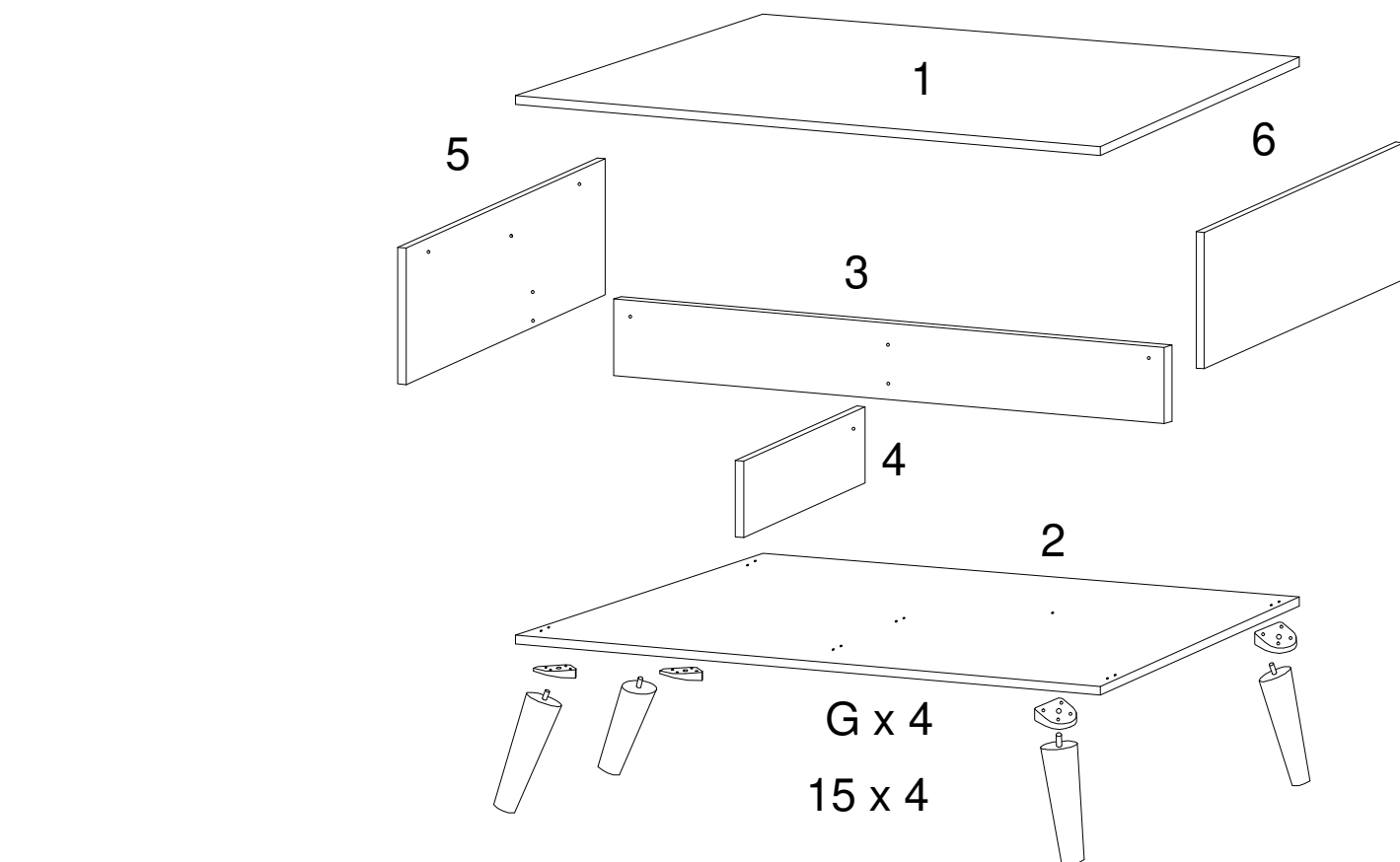
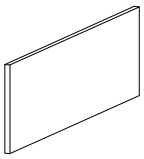
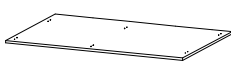
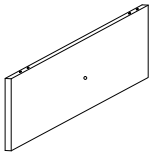
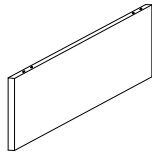
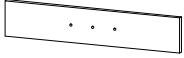
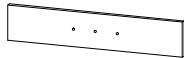

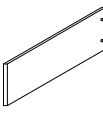


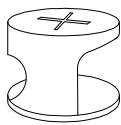

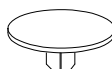
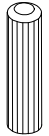
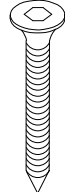
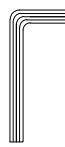
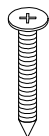
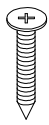
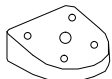
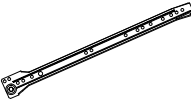
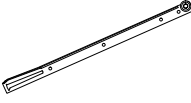
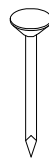

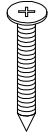
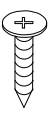

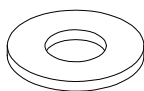



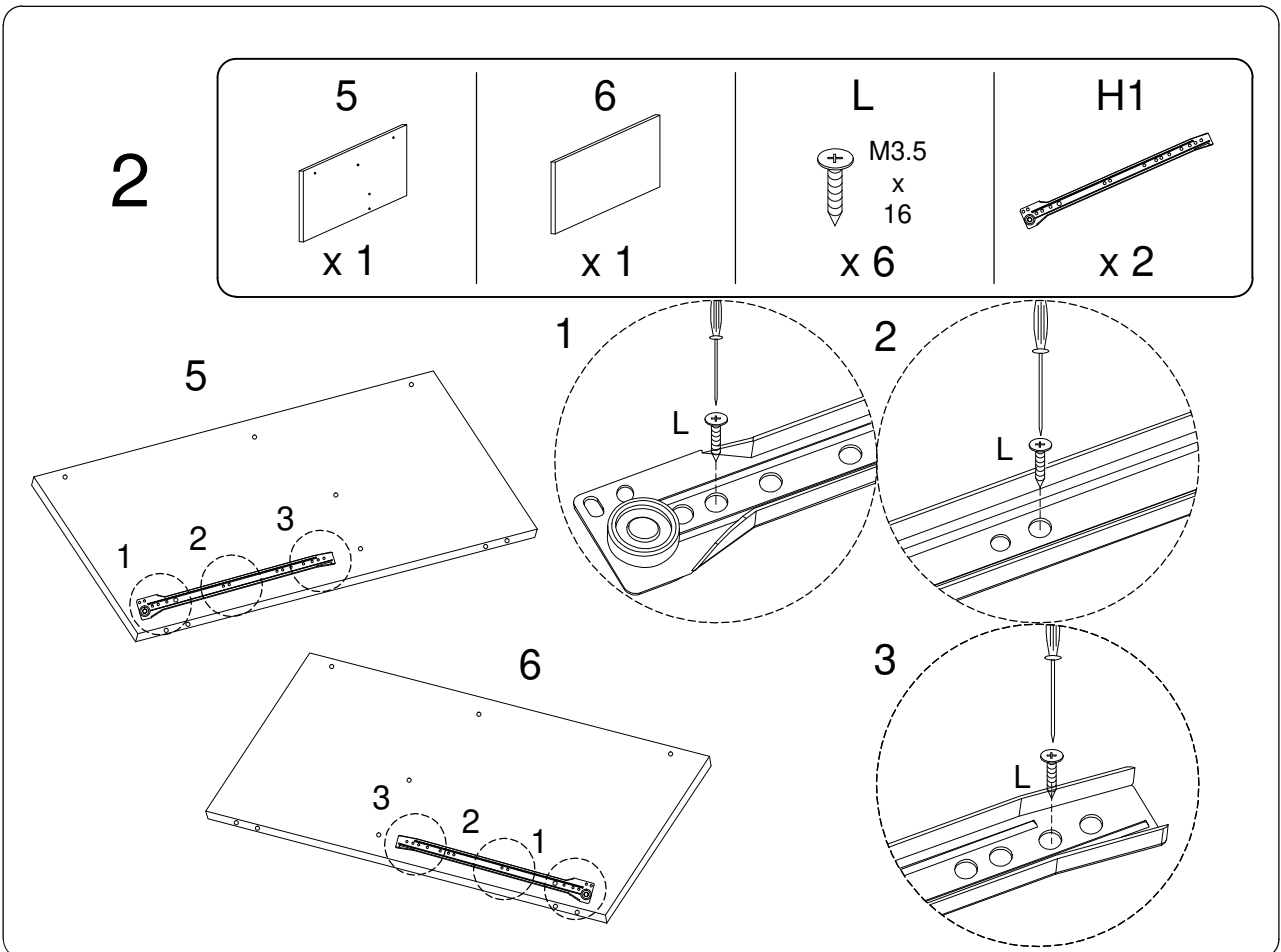
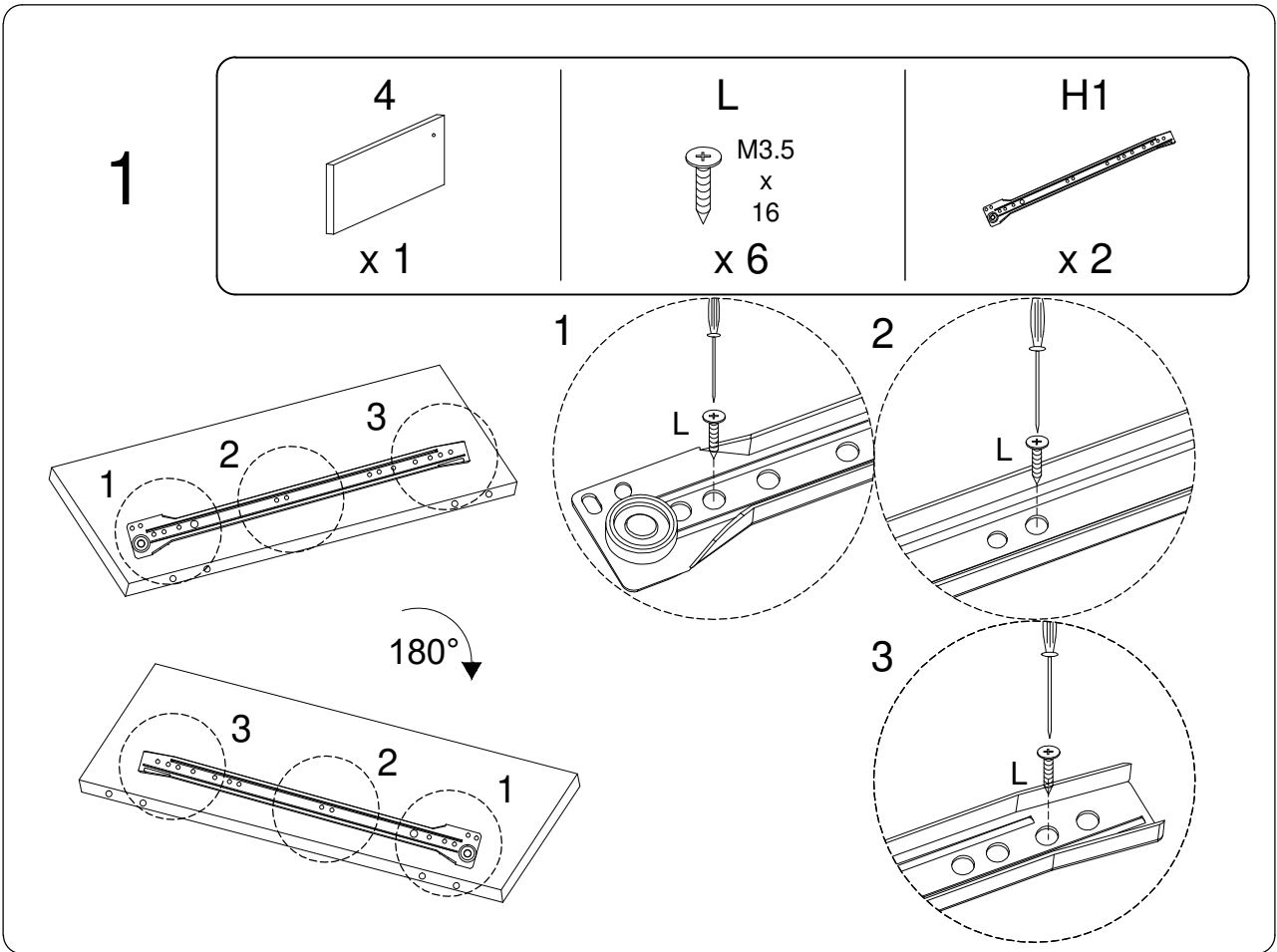
Assembly instructions for the coffee table:

- Tools:** A circle containing a screwdriver, a hammer, and an L-shaped bracket. A power drill is shown with a diagonal line through it, indicating it is not to be used.
- Warning:** A triangle with an exclamation mark.
- Time:** A clock icon with the text "60'" below it, indicating an estimated 60-minute assembly time.
- Personnel:** A stick figure icon with the number "2" below it, indicating that two people are required for assembly.
- Warning:** A triangle with an exclamation mark.
- Material:** A circle containing a rectangular block being placed on a textured mat. A second block is shown with a diagonal line through it, indicating that the mat should be used to protect the floor.

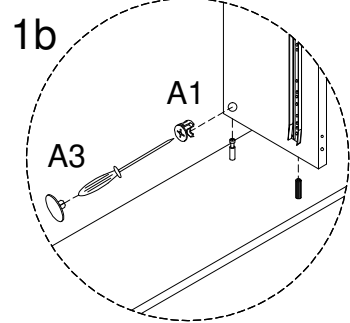
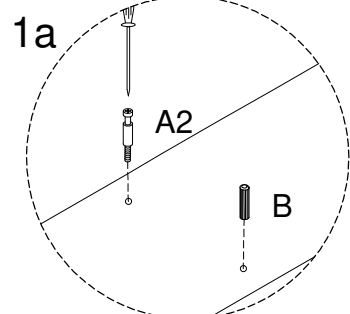
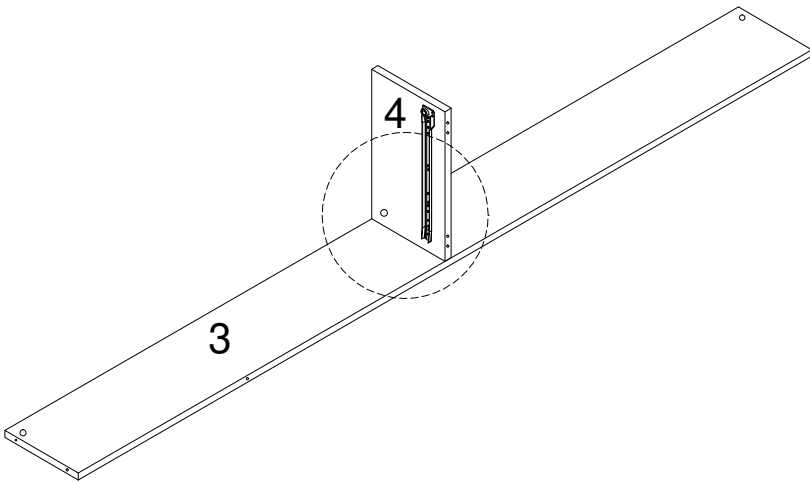
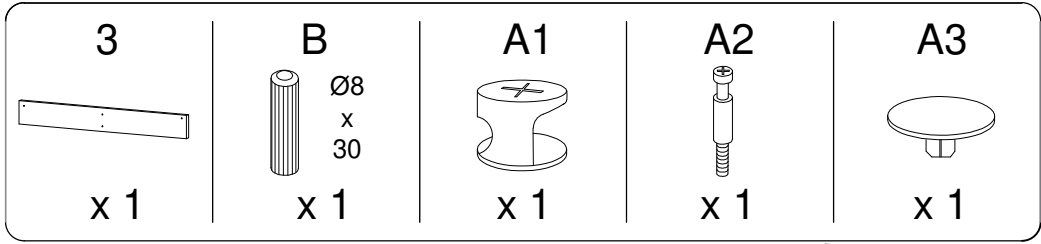


1	2	3	4	5
x 1	x 1	x 1	x 1	x 1

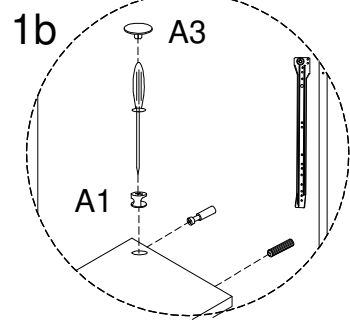
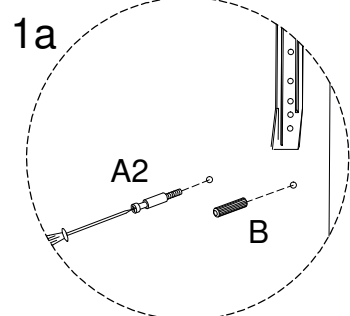
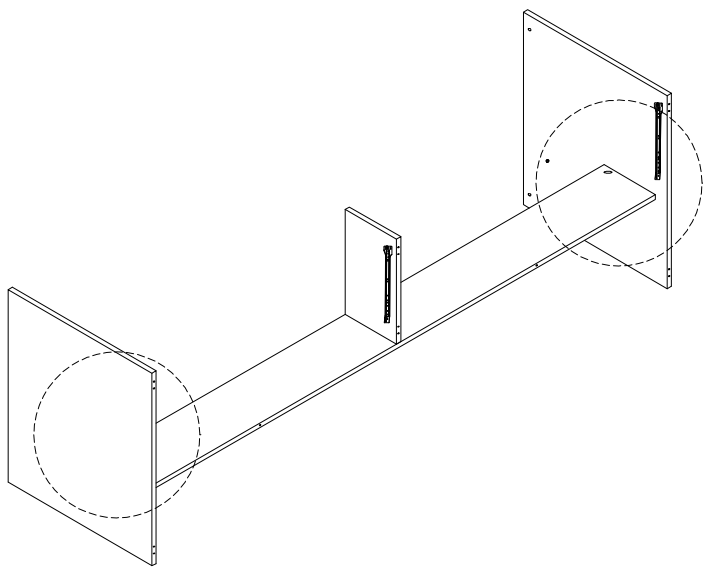
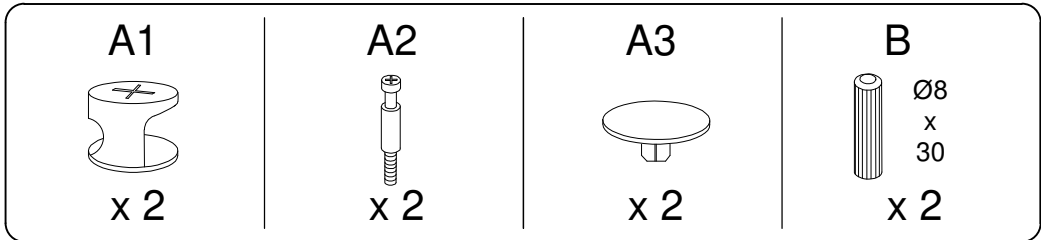
6  x 1	7  x 2	8  x 2	9  x 1	10  x 1	
11  x 1	12  x 2	13  x 4	14  x 2	15  x 4	
A1  x 7	A2  x 7	A3  x 7	B  Ø8 x 30 x 13	C  M6 x 50 x 8	D  x 1
E  M4 x 38 x 28	F  M4 x 20 x 16	G  x 4	H1  x 4	H2  x 4	I  x 20
J  x 2	K  M4 x 45 x 6	L  M3.5 x 16 x 24	M  M6 x 25 x 2	N  x 2	O  Ø6 x 30 x 12






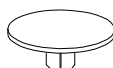

3

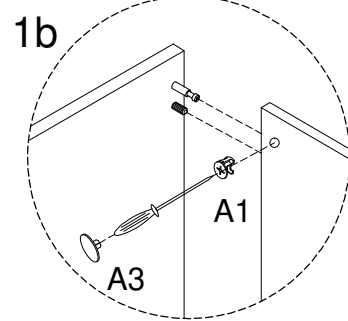
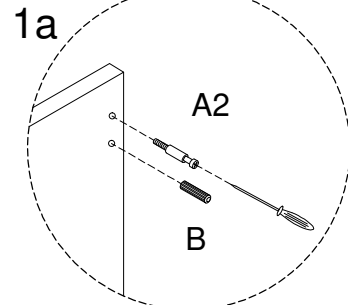
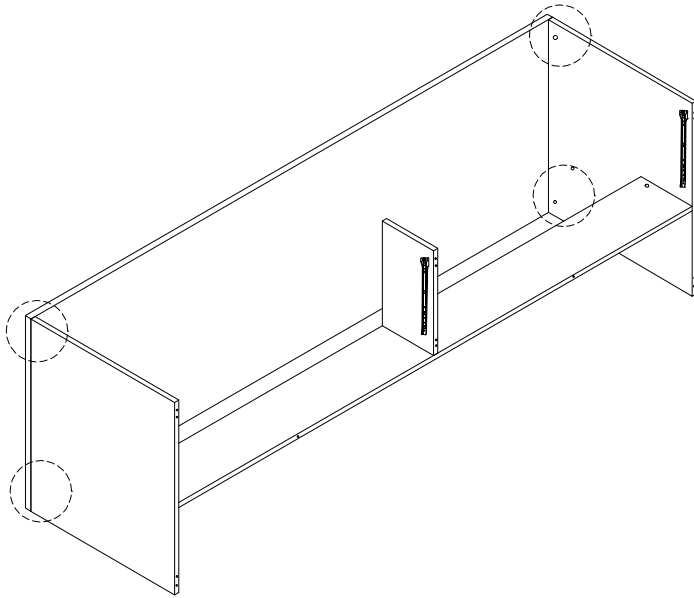


4



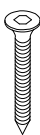



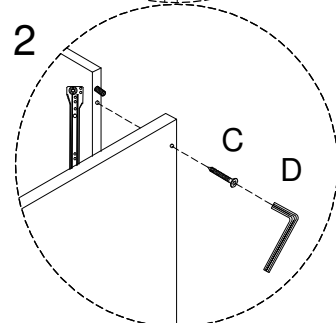
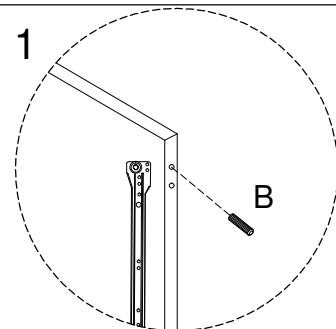
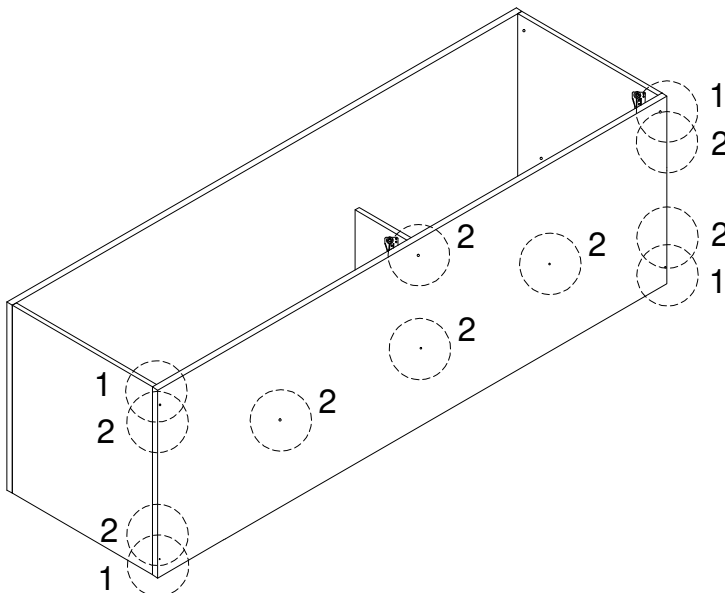
5

<p>1</p>  <p>x 1</p>	<p>A1</p>  <p>x 4</p>	<p>A2</p>  <p>x 4</p>	<p>A3</p>  <p>x 4</p>	<p>B</p>  <p>Ø8 x 30</p> <p>x 4</p>
---	--	--	--	--



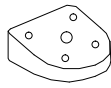
6

<p>2</p>  <p>x 1</p>	<p>B</p>  <p>Ø8 x 30</p> <p>x 6</p>	<p>C</p>  <p>M6 x 50</p> <p>x 8</p>	<p>D</p>  <p>x 1</p>
---	--	---	---



7

G



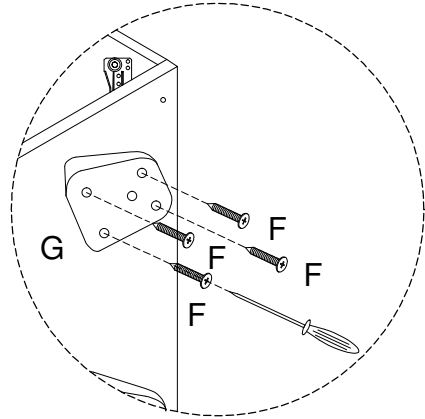
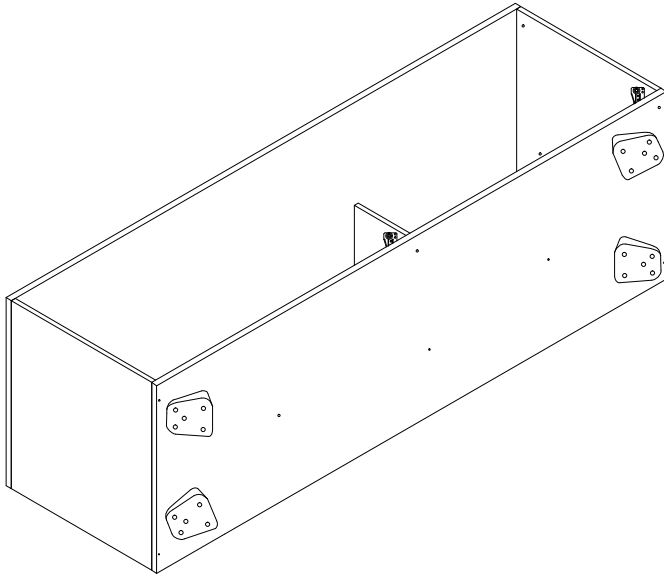
x 4

F



M4
x
20

x 16

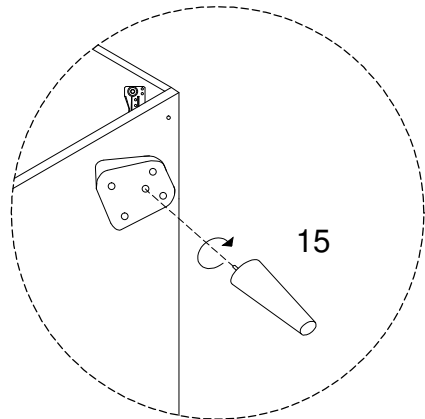
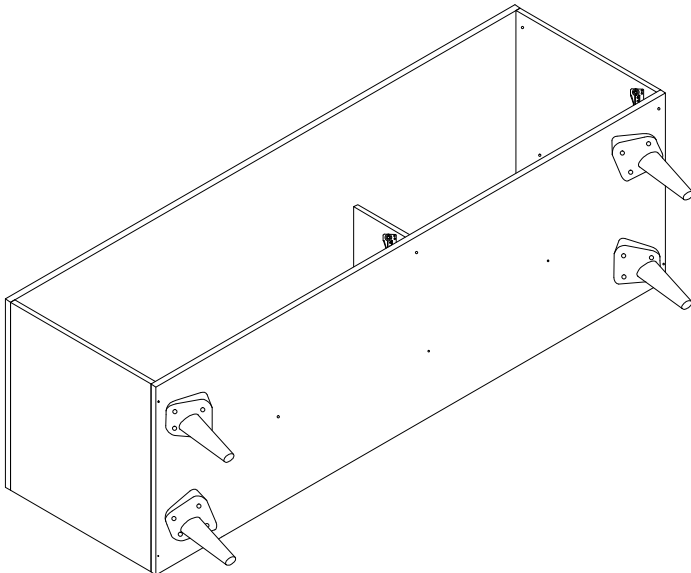


8


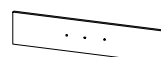

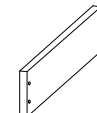
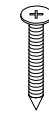
15

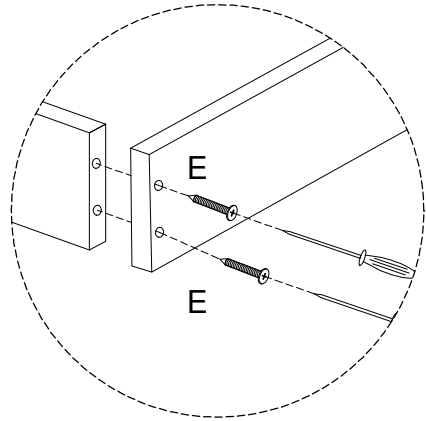
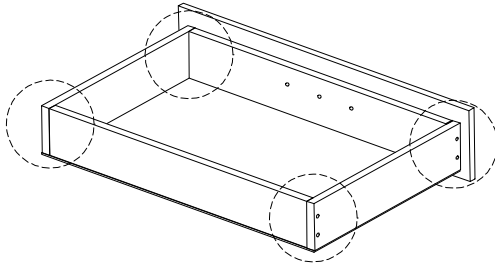
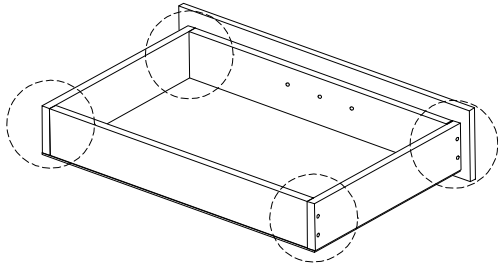


x 4





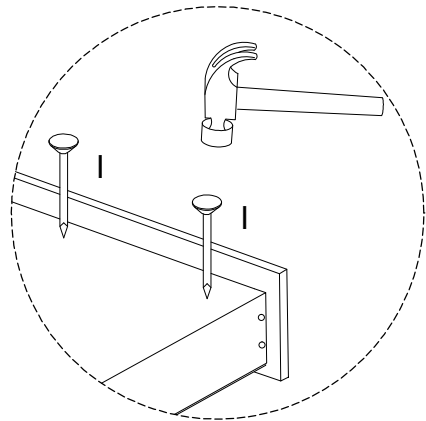
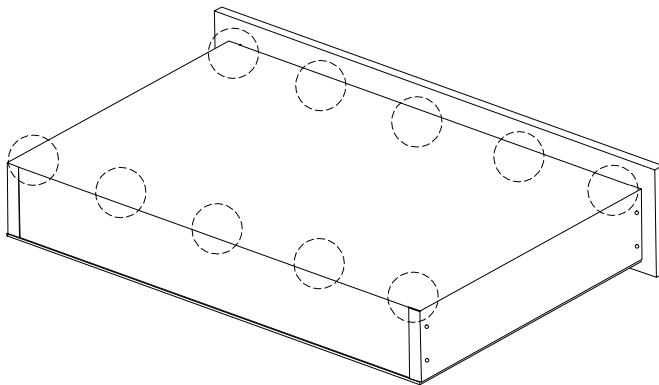
9

10  x 1	11  x 1	12  x 2	13  x 4	E  M4 x 38 x 16
--	--	--	--	---



10x2

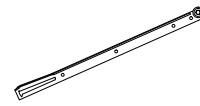
14  x 1	I  x 10
--	--



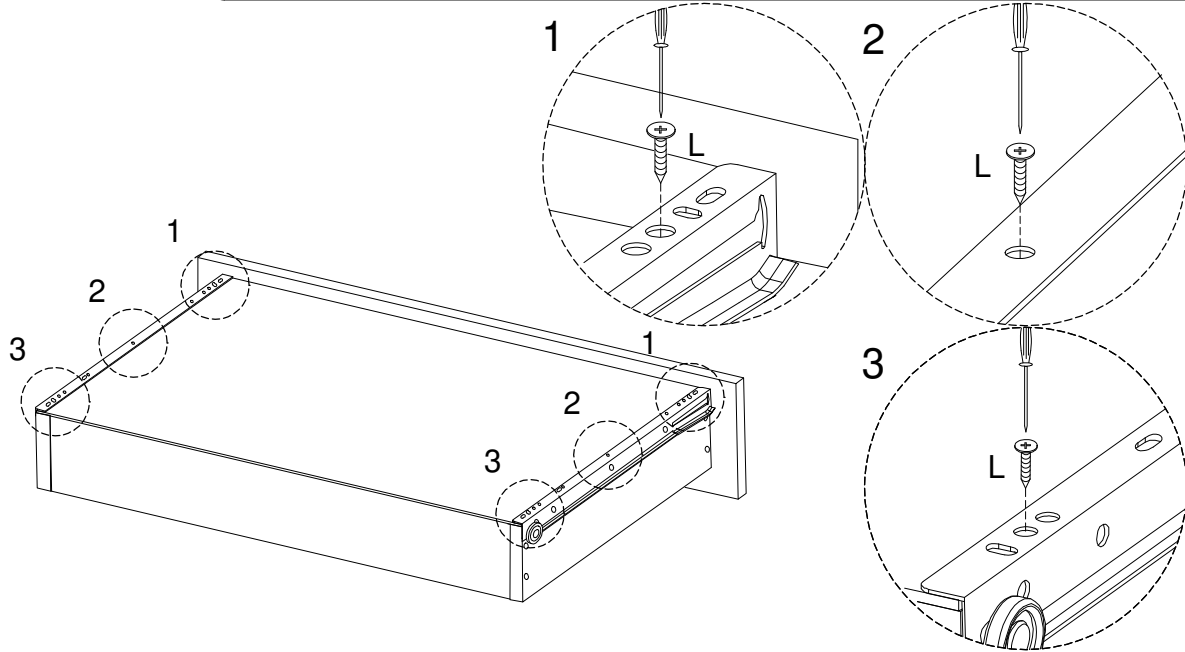
11x2

L
M3.5
x
16
x 6

H2



x 2



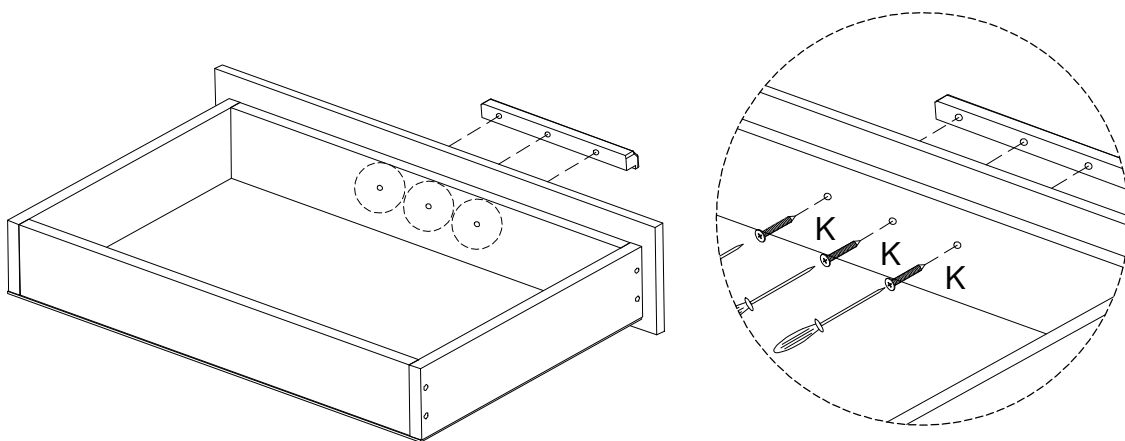
12x2

K
M4
x
45
x 3

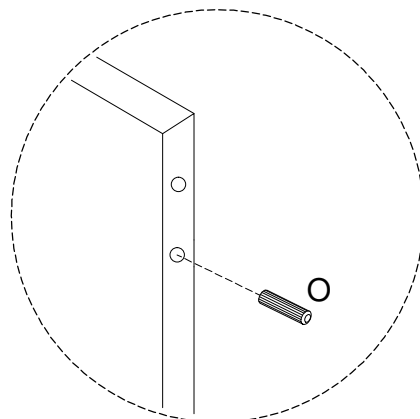
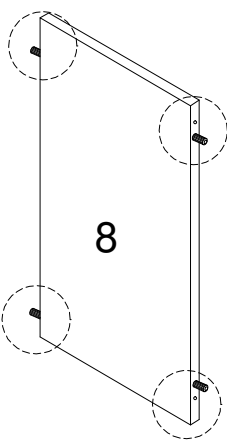
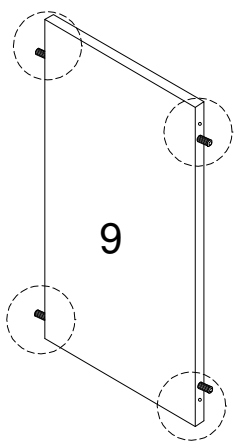
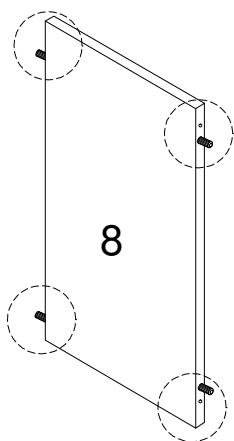
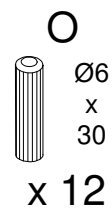
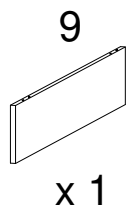
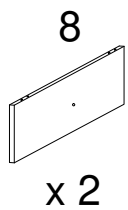
J



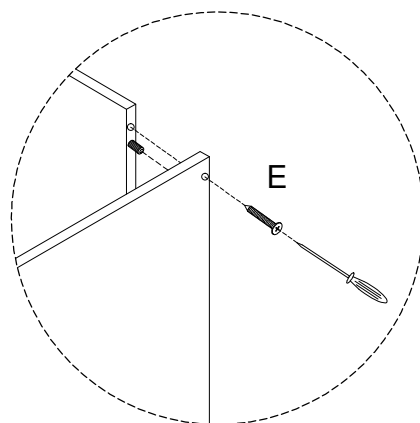
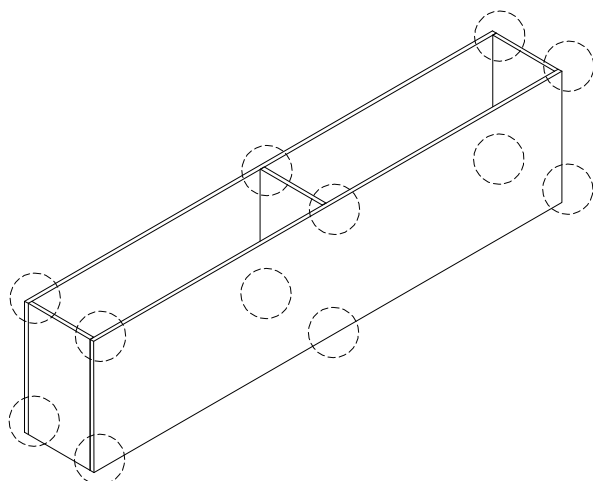
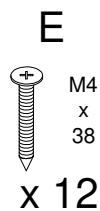
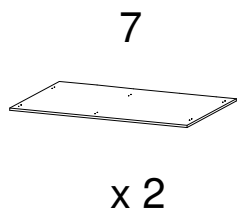
x 1



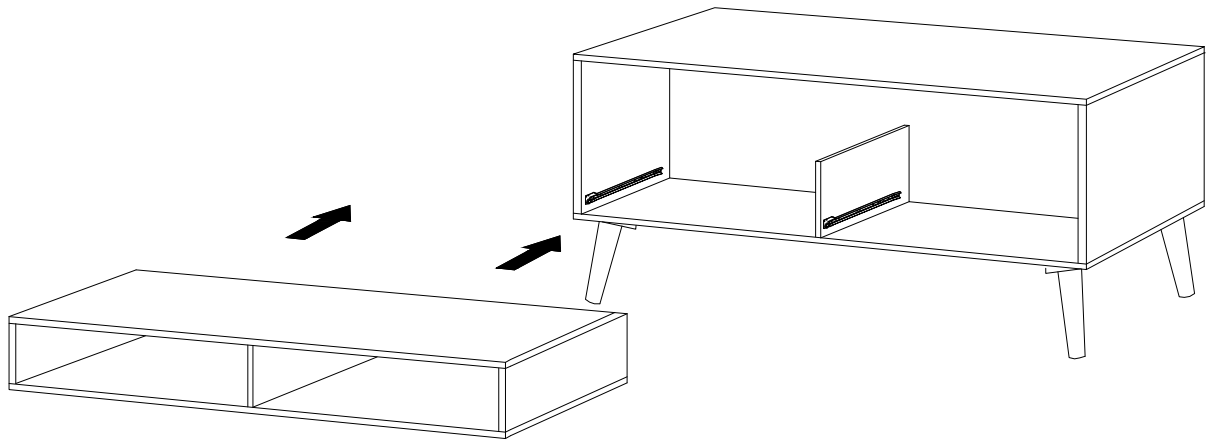
13



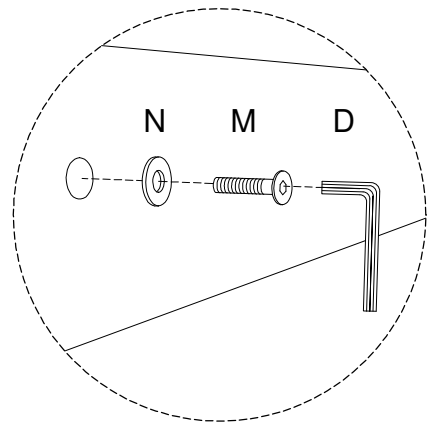
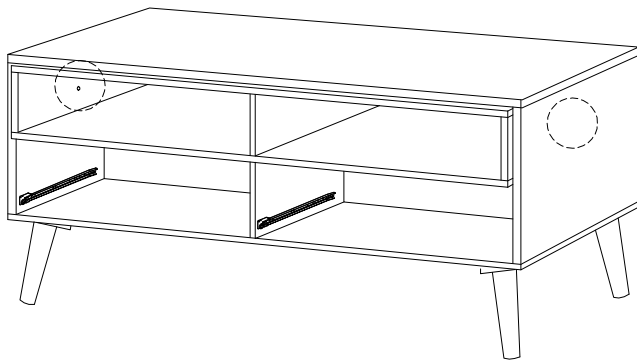
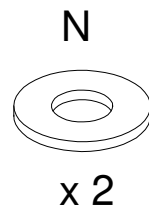
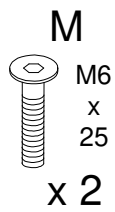
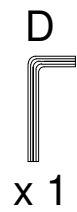
14



15



16



17

