

Assembly Instruction

Eastlake Outdoor Sofa

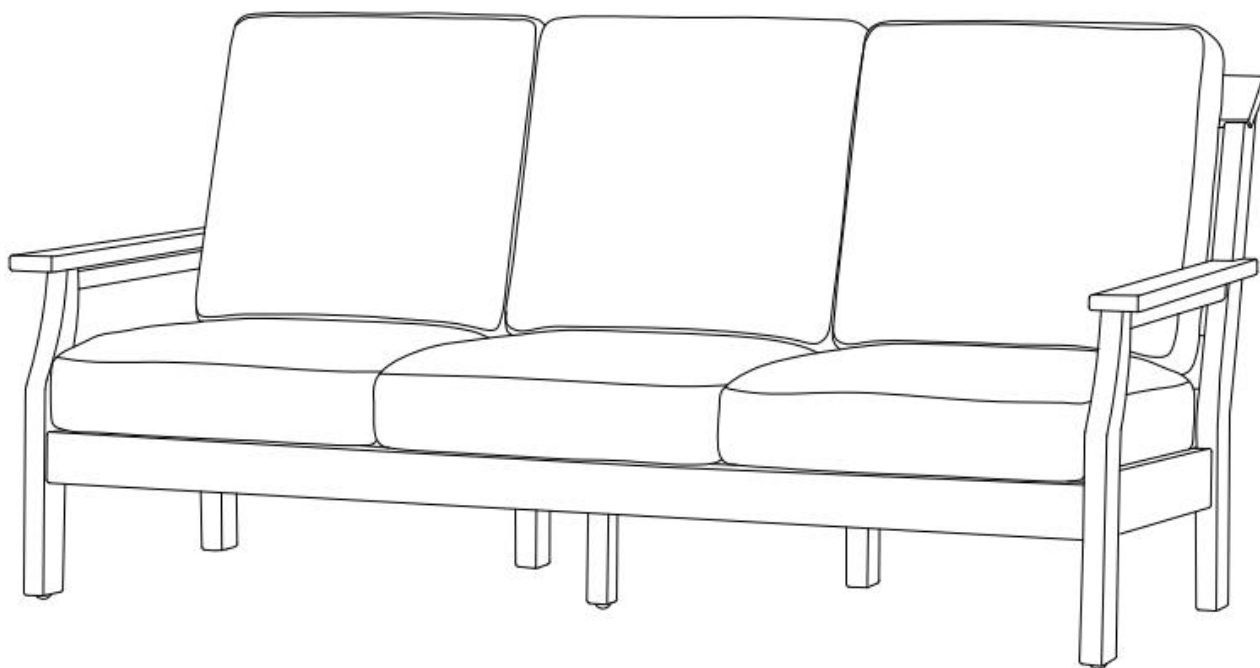
Your furniture requires assembly prior to use. It is important that you read the entire assembly instructions to become familiar with the unit before you set up this product.

Safety Warning and Precautions

WARNING: When setting up your furniture, basic precautions should always be followed to reduce risk of personal injury and damage to the product.

Read all instructions before assembly and usage this product.









1. Select ideal location. Set out all parts on a clear and level surface prior to assembly. Ideally, the furniture should be set up in the desired location to avoid moving it after assembly.
2. Use caution. During all the processes of assembling, especially when lifting heavy or large parts, pay attention to safety.
3. Tools and Assistance. An adjustable spanner is required for assembly. It is recommended 2 people assist with assembly.
4. Check all parts before assembling, ensure you have all parts detailed in the parts list on Page 2.
5. Refer to assembly diagram. During assembly, refer to the assembly instructions on following pages.
6. Caution. Keep children away from work area during assembly. Do not allow children to handle parts or tools while assembling.

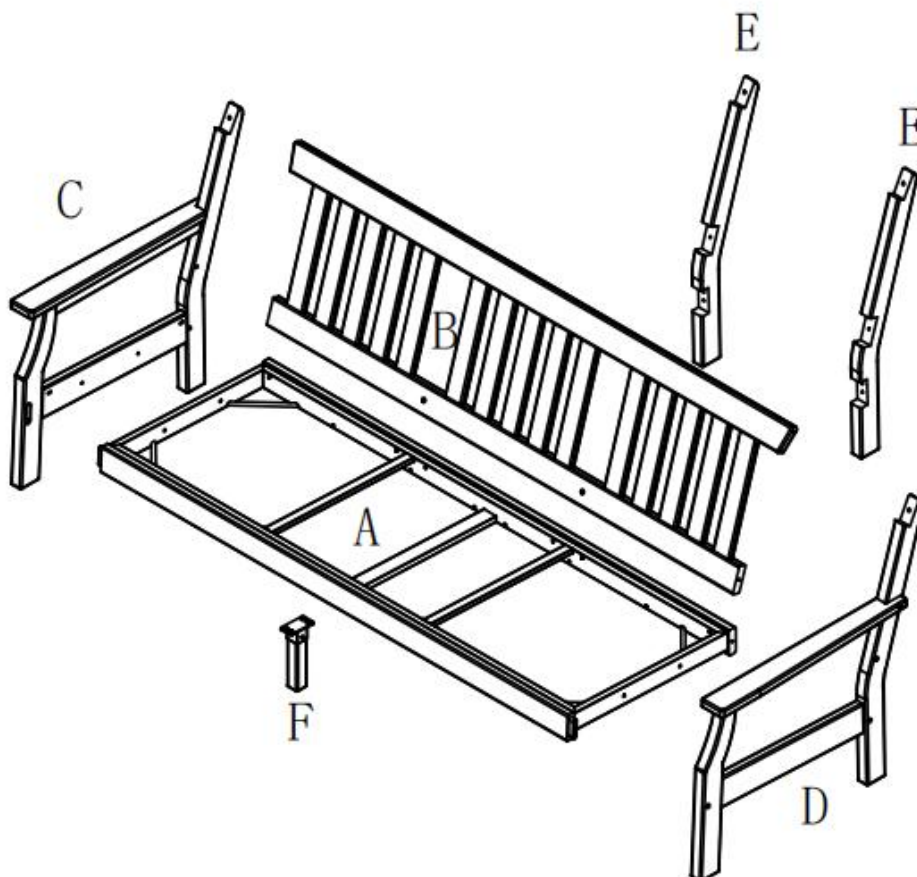
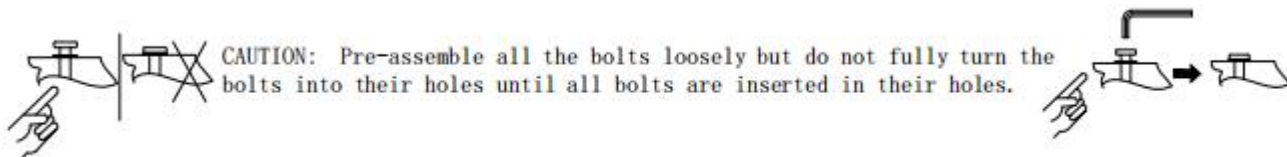


Assembly Instruction

Eastlake Outdoor Sofa

FITTINGS IDENTIFICATION

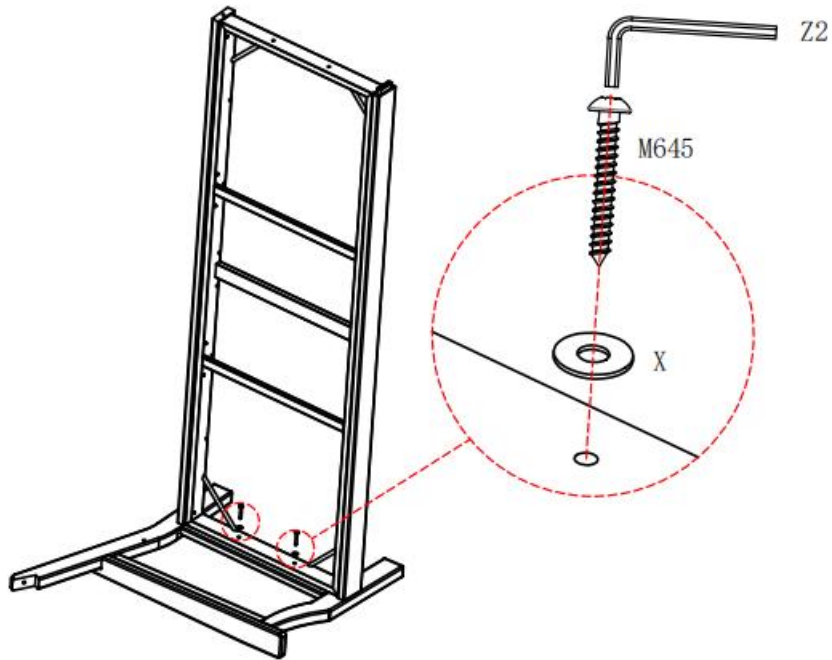
Part #	M620	M645	M649	M665	M685	X	Z1	Z2
Description:	Screw M6*20	Screw M6*45	Screw M6*49	Screw M6*65	Screw M6*85	Gasket	Allen Wrench	Allen Wrench
Figure:	 M6*20	 M6*45	 M6*49	 M6*65	 M6*85	 Ø16*Ø6.5*1.0	 M4	 M5
Qty:	4PCS	4PCS	6PCS	8PCS	2PCS	10PCS	1PCS	1PCS



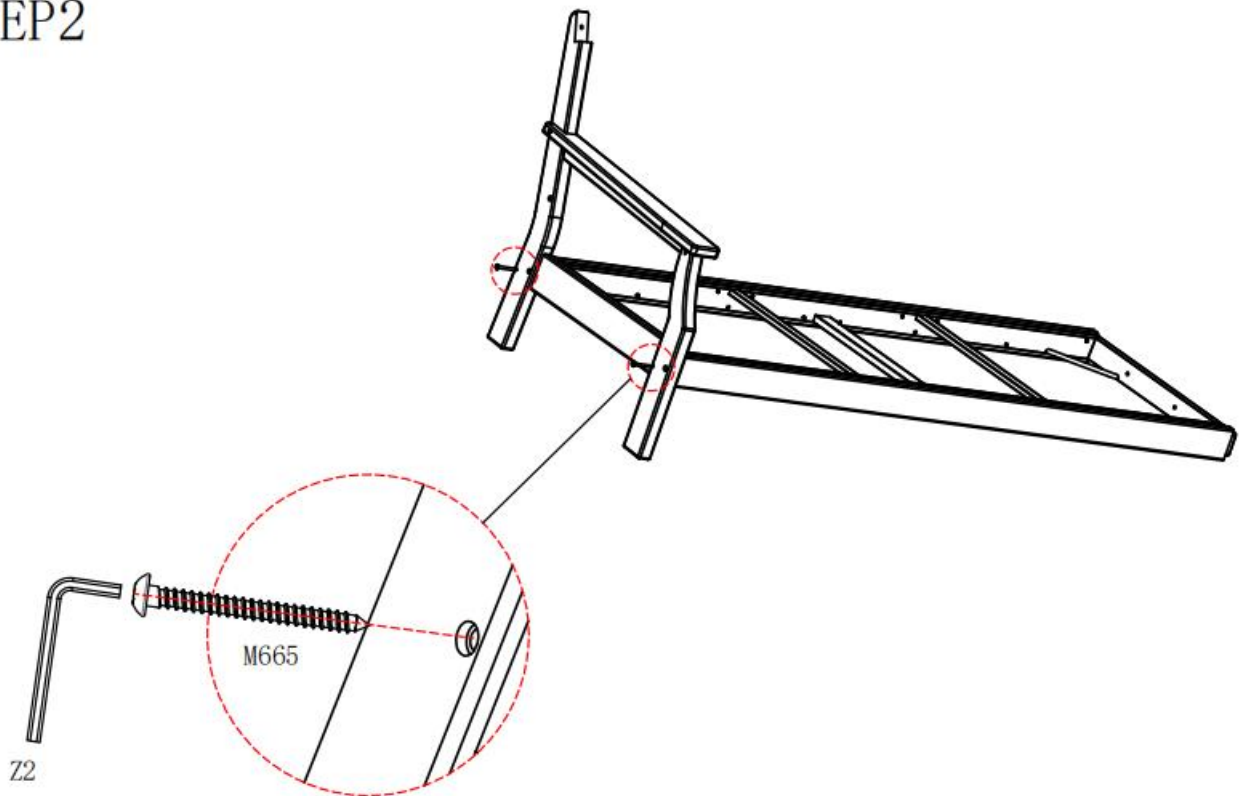
Assembly Instruction

Eastlake Outdoor Sofa

STEP 1



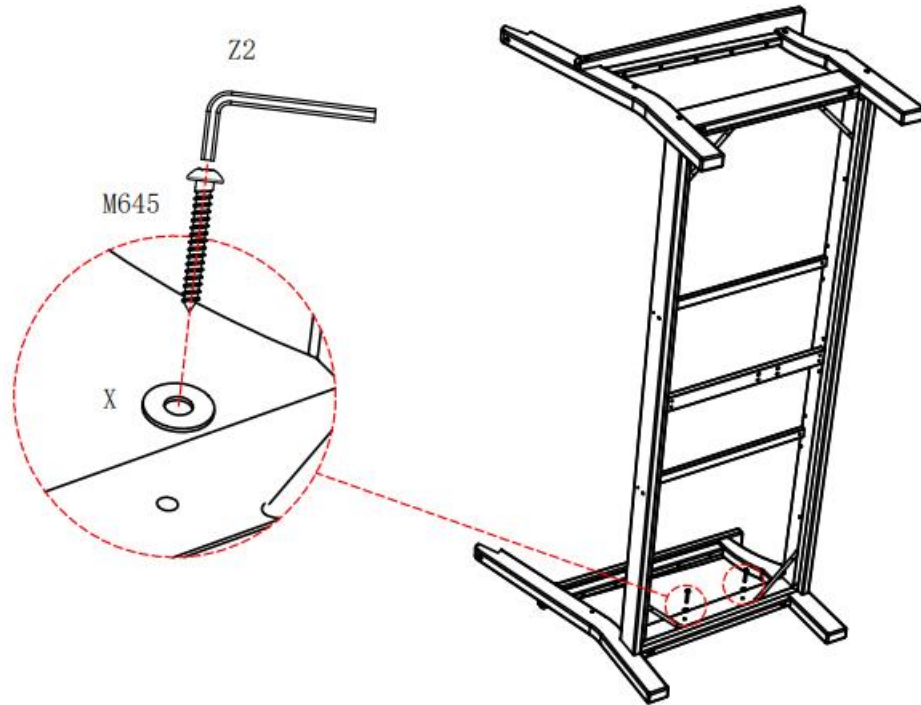
STEP 2



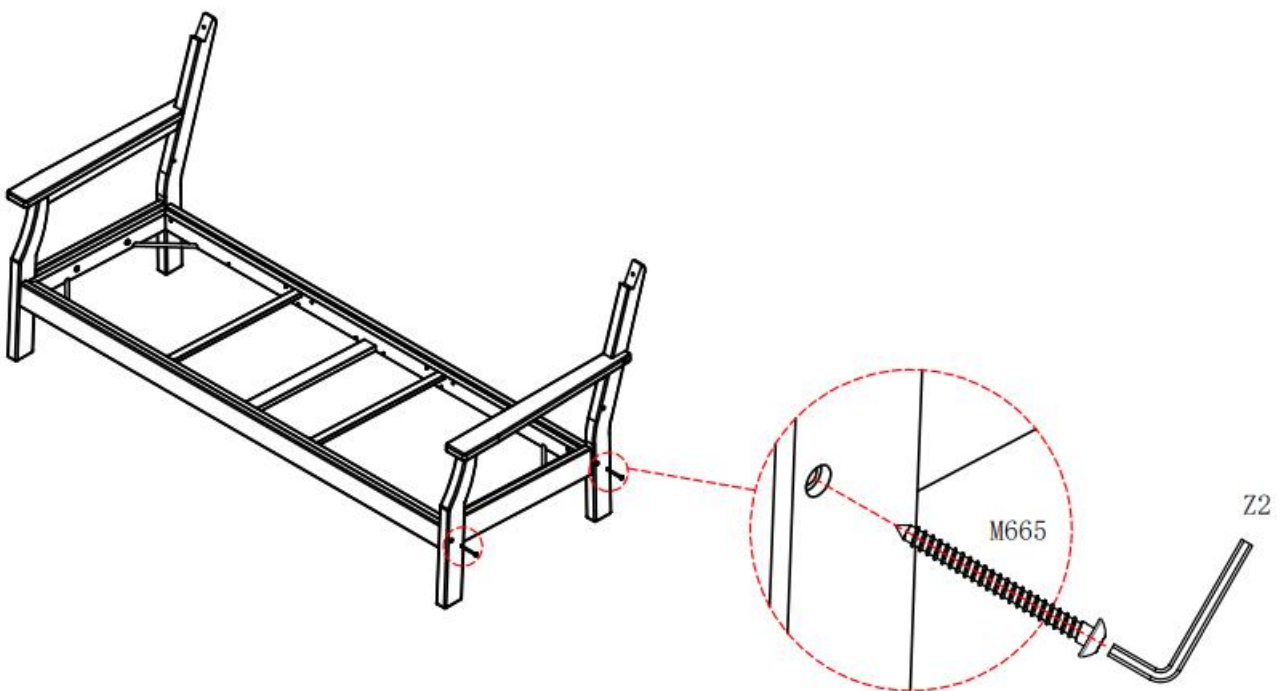
Assembly Instruction

Eastlake Outdoor Sofa

STEP 3



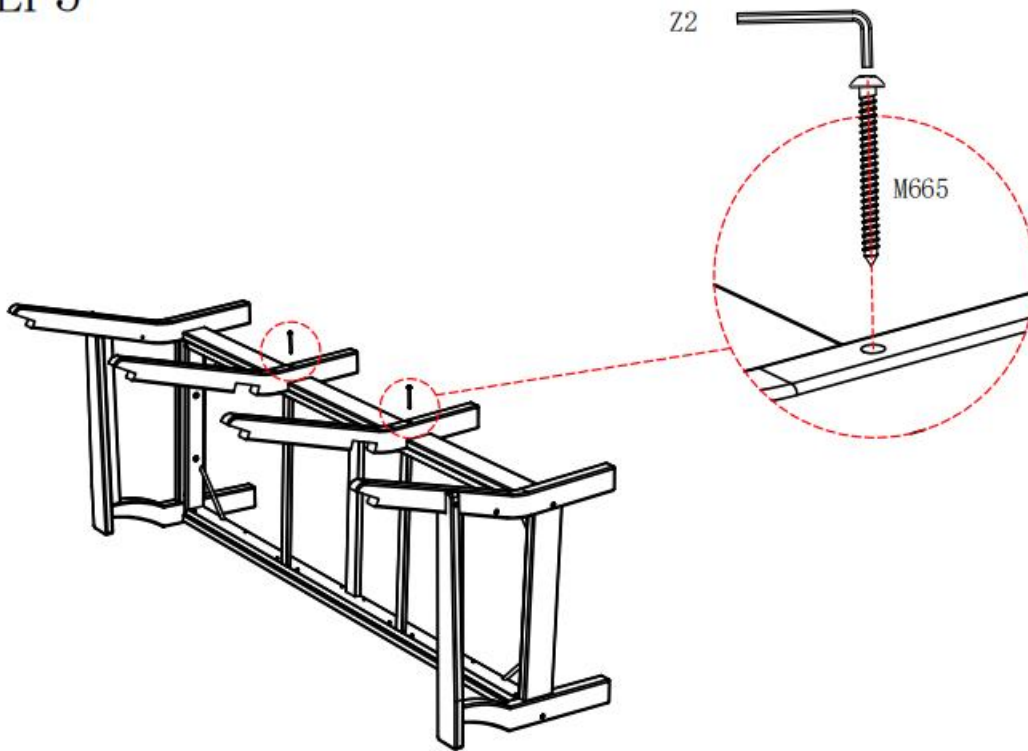
STEP 4



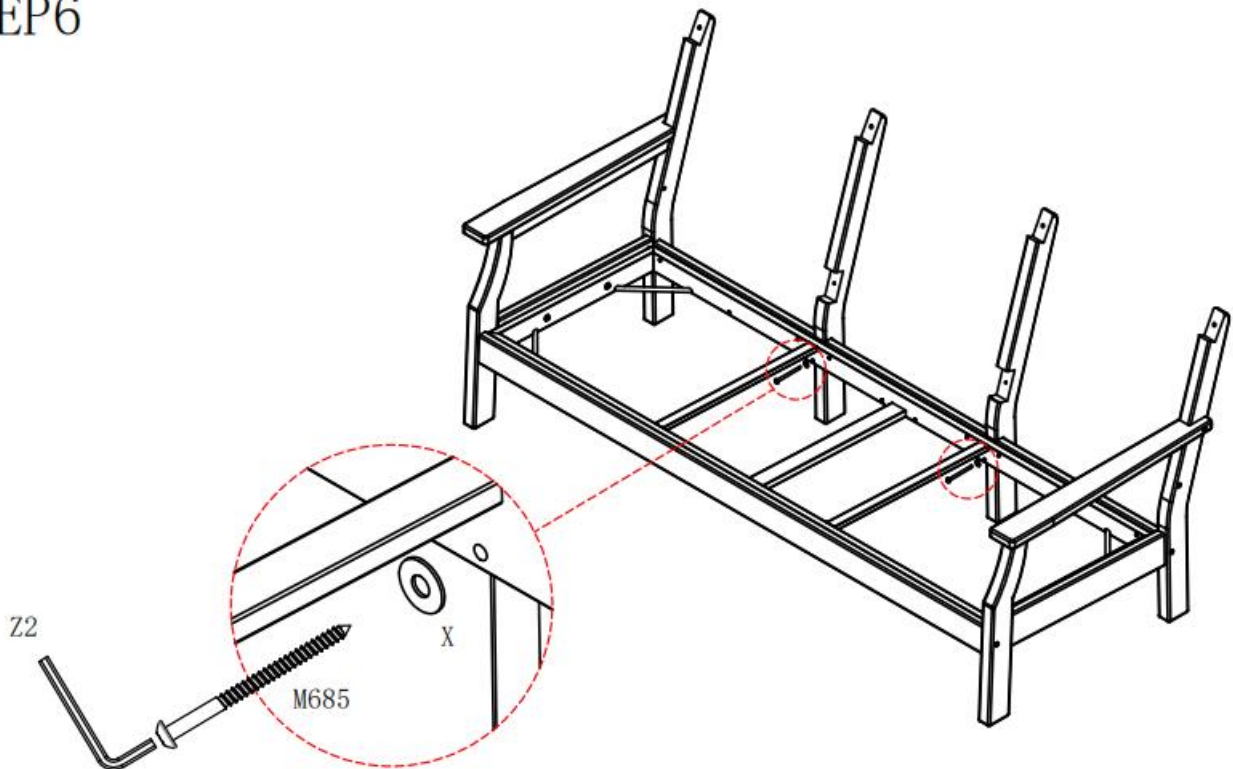
Assembly Instruction

Eastlake Outdoor Sofa

STEP 5

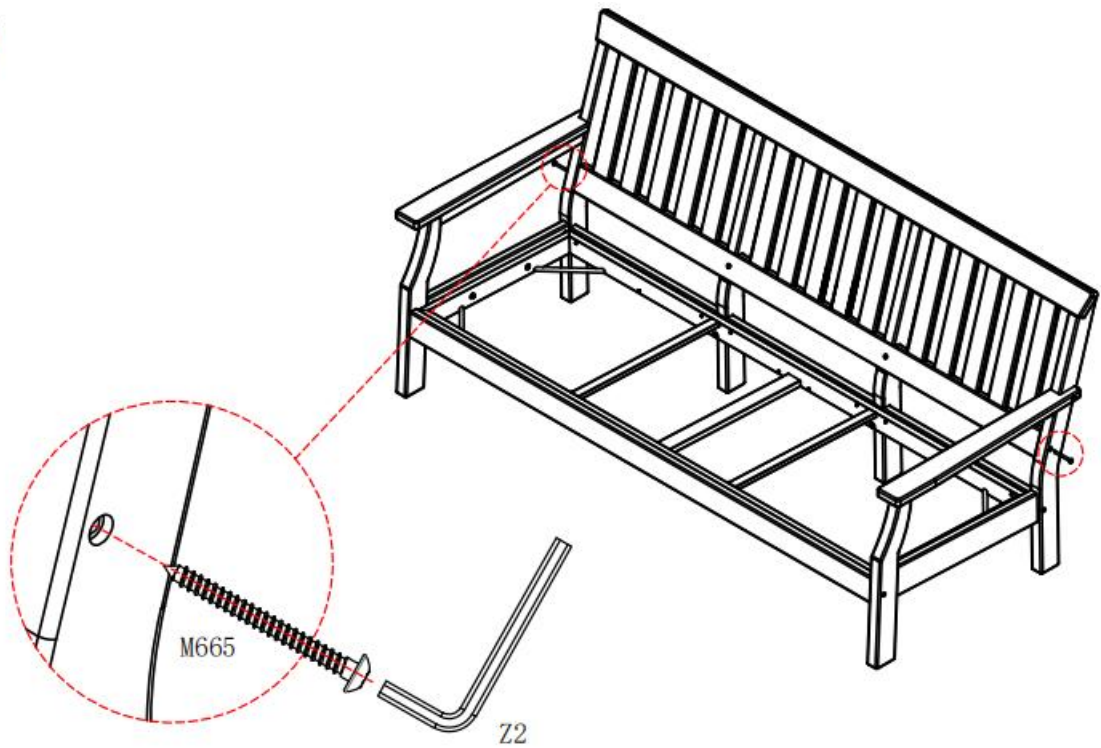


STEP 6

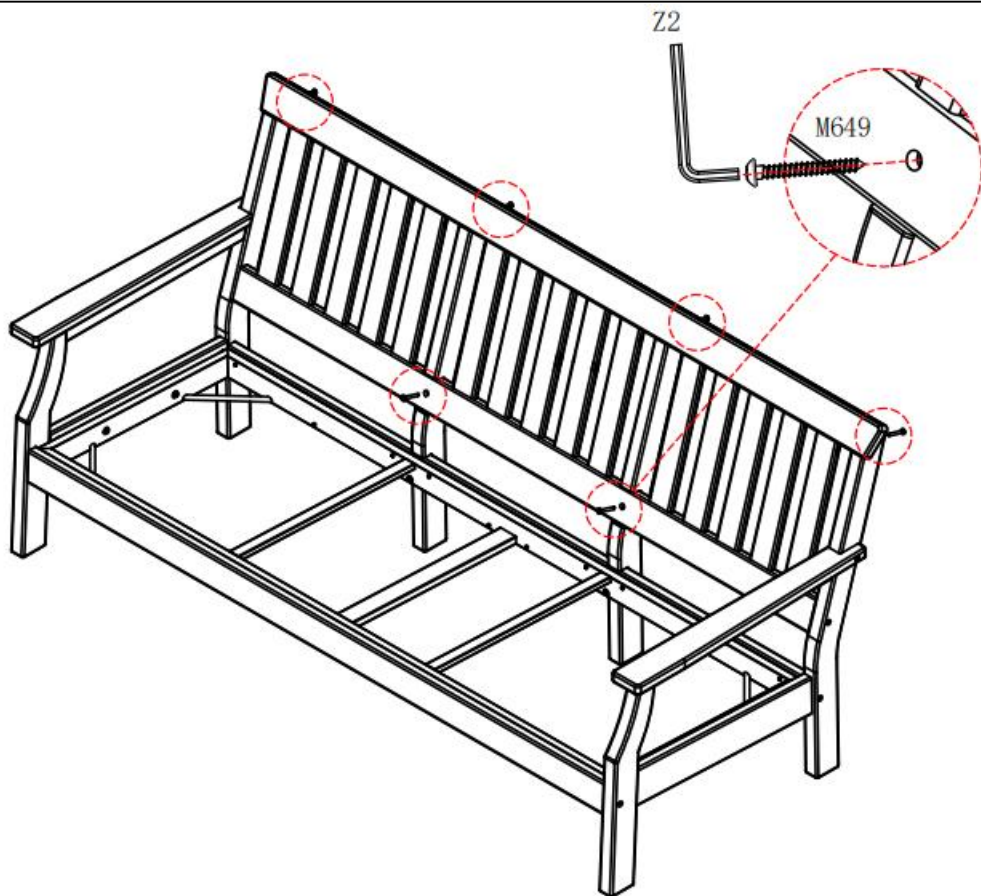


Assembly Instruction

Eastlake Outdoor Sofa STEP 7



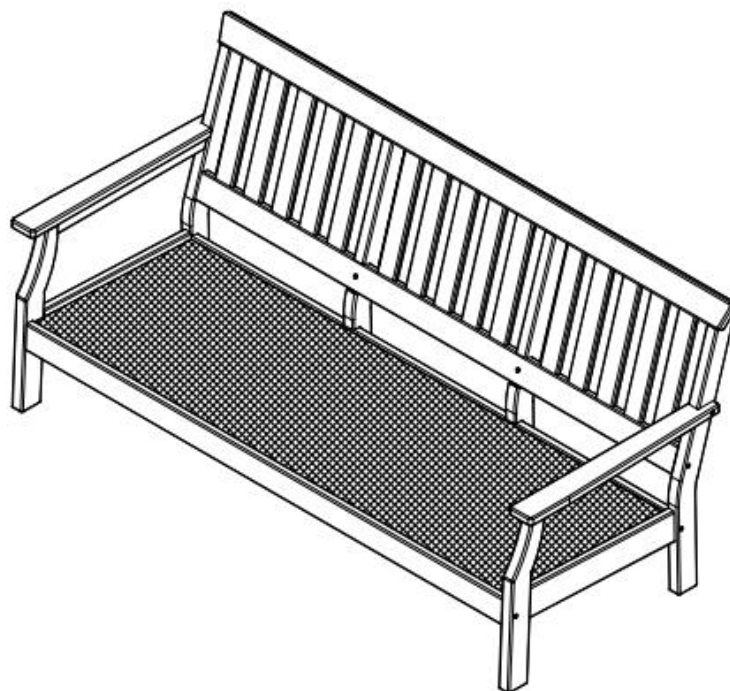
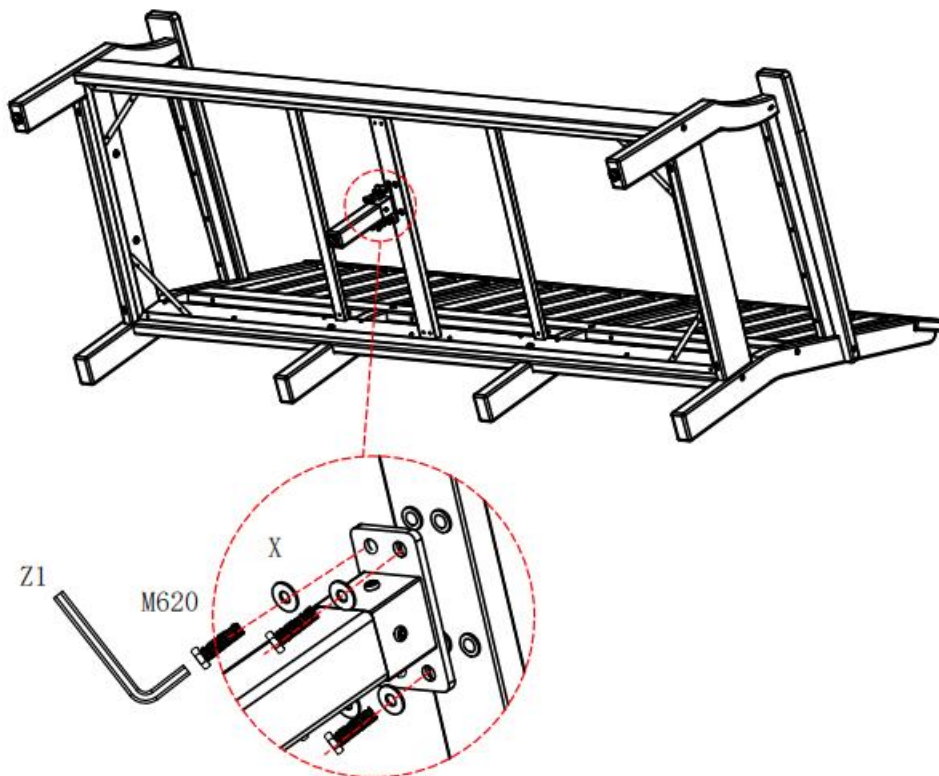
STEP 8



Assembly Instruction

Eastlake Outdoor Sofa

STEP 9



Assembly Instruction

Eastlake Outdoor Sofa

Steps:

1. Attach the Right Armrest frame (Part C) to the Seat Panel(Part A) with Screw M6*45 (Part M645) and Gasket (Part X) by using Allen Wrench (Part Z2), install the inside hole first. and then install the Scerw M6*65(Part M665) to the Outside holes by using Allen Wrench(Part Z2).
2. Attach the Left Armrest frame (Part D) to the Seat Panel(Part A) with Screw M6*45 (Part M645) and Gasket (Part X) by using Allen Wrench (Part Z2). Install the inside hole first, and then install the Scerw M6*65(Part M665) to the outside holes by using Allen Wrench(Part Z2).
3. Attach the Part E to the Seat Panel (Part A) with Screw M6*45 (Part M645) and Gasket (Part X) by using Allen Wrench (Part Z2). Install the outside holes first, and then install the Scerw M6*85(Part M685) to the Inside holes by using Allen Wrench(Part Z2).
4. Attach the Back Panel (Part B) to Right Armrest frame (Part C) and the Left Armrest frame (Part D) with Screw M6*65 (Part M665) by using Allen Wrench (Part Z2). Install the Both side holes first, and then install the Scerw M6*49(Part M649) to the Middle and Top holes by using Allen Wrench(Part Z2).
5. Attach the Safo Middel leg(Part F) to Seat Panel (Part A) with Screws M6*20 (Part M620) and Gasket (Part X) by using Allen Wrench (Part Z1).

Tighten all screws. Your chair is ready to use. (Note: Pre-assemble all the bolts loosely but do not fully turn the bolts into their holes until all bolts are inserted in their holes.)

Periodically check and make sure that all screws are fully tightened.