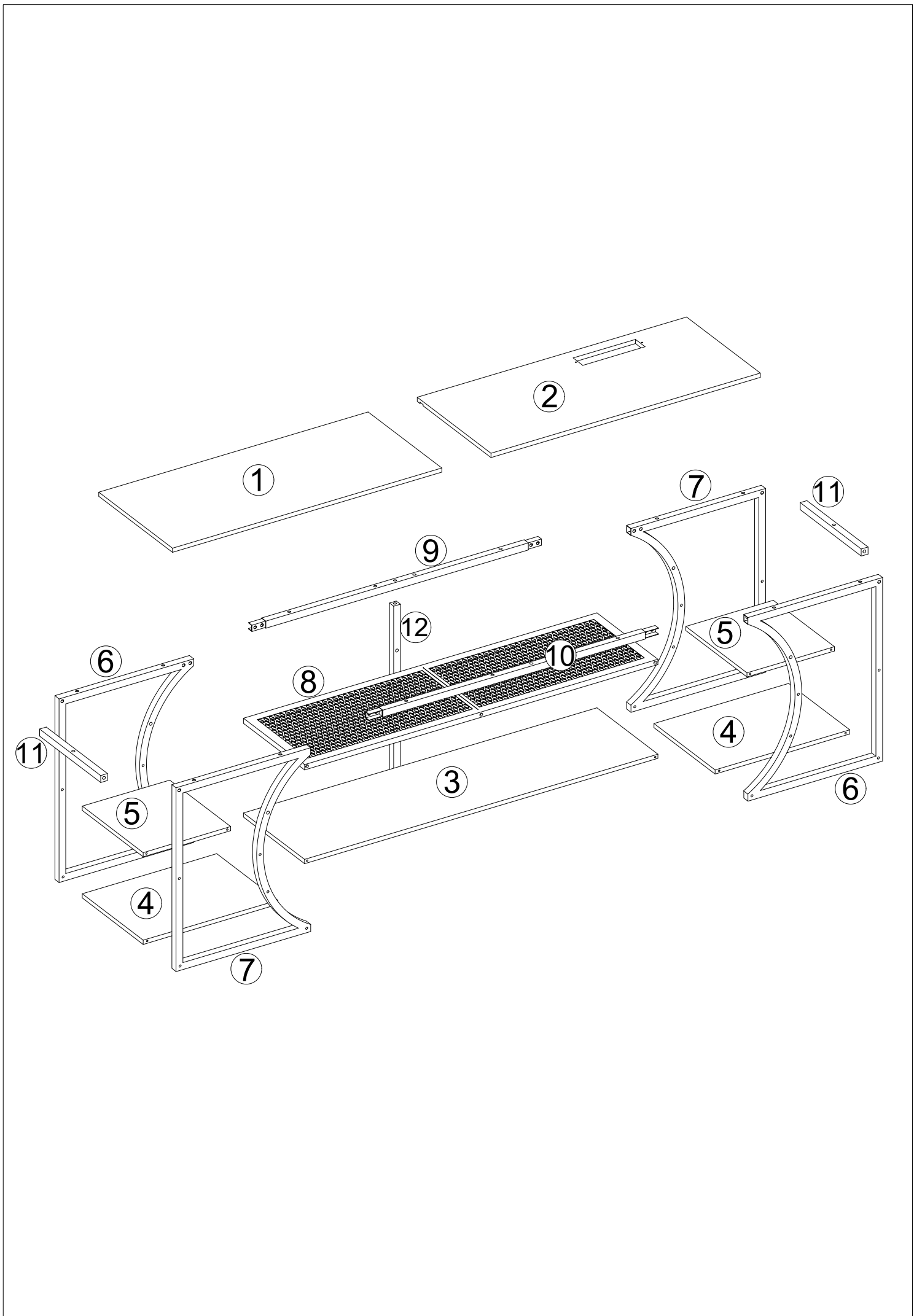
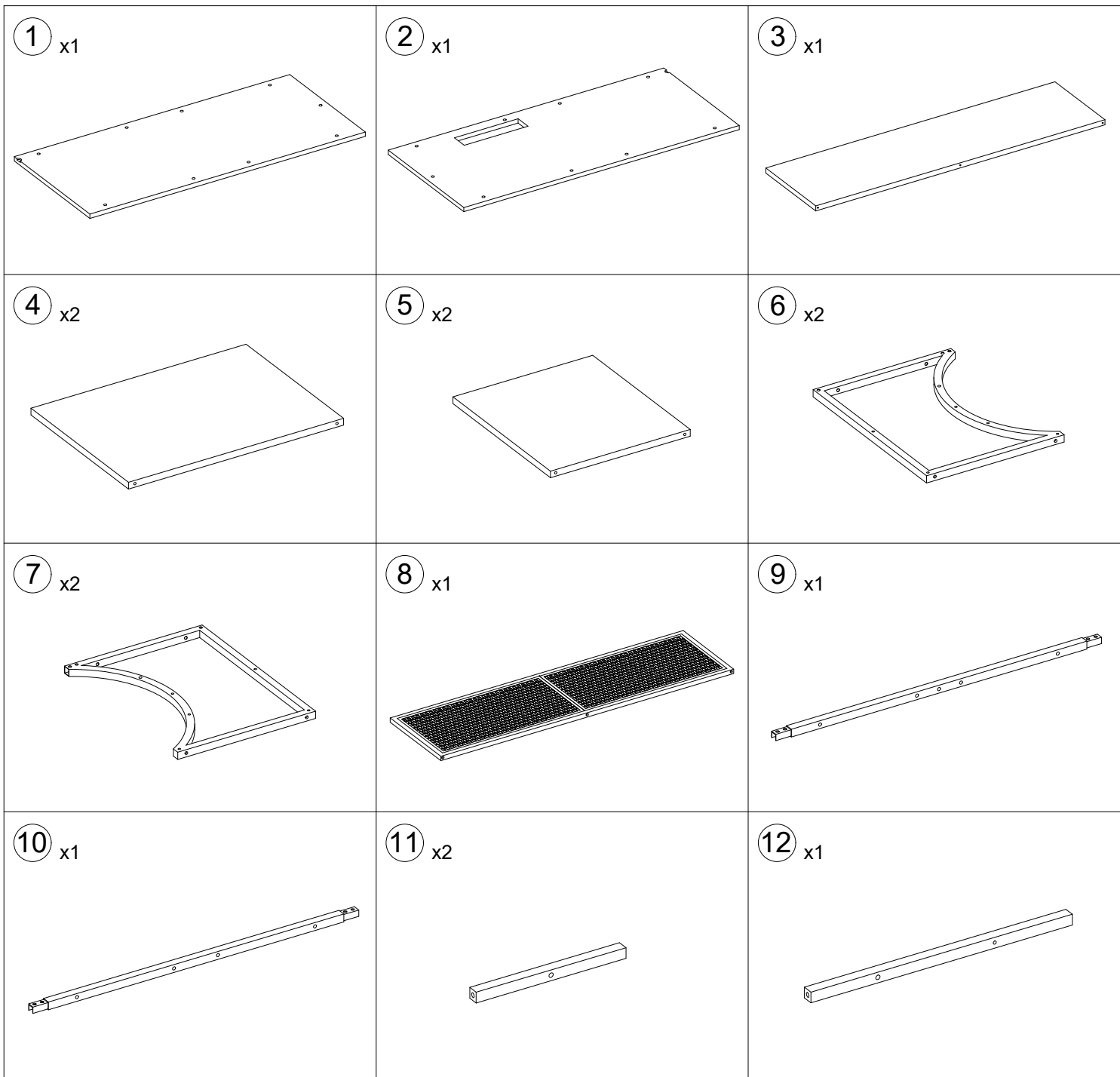


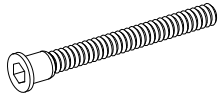
HZQD-V1

FTLFTS-6127





**A** x21+2



Ø5x40

**B** x8+1



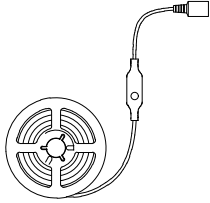
M6x10

**C** x28+2



M6x28

**D** x1

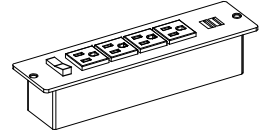


**E** x1



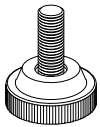
Ø3.5x12

**F** x1



M4x10

**G** x9



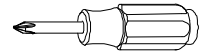
**TOOL**



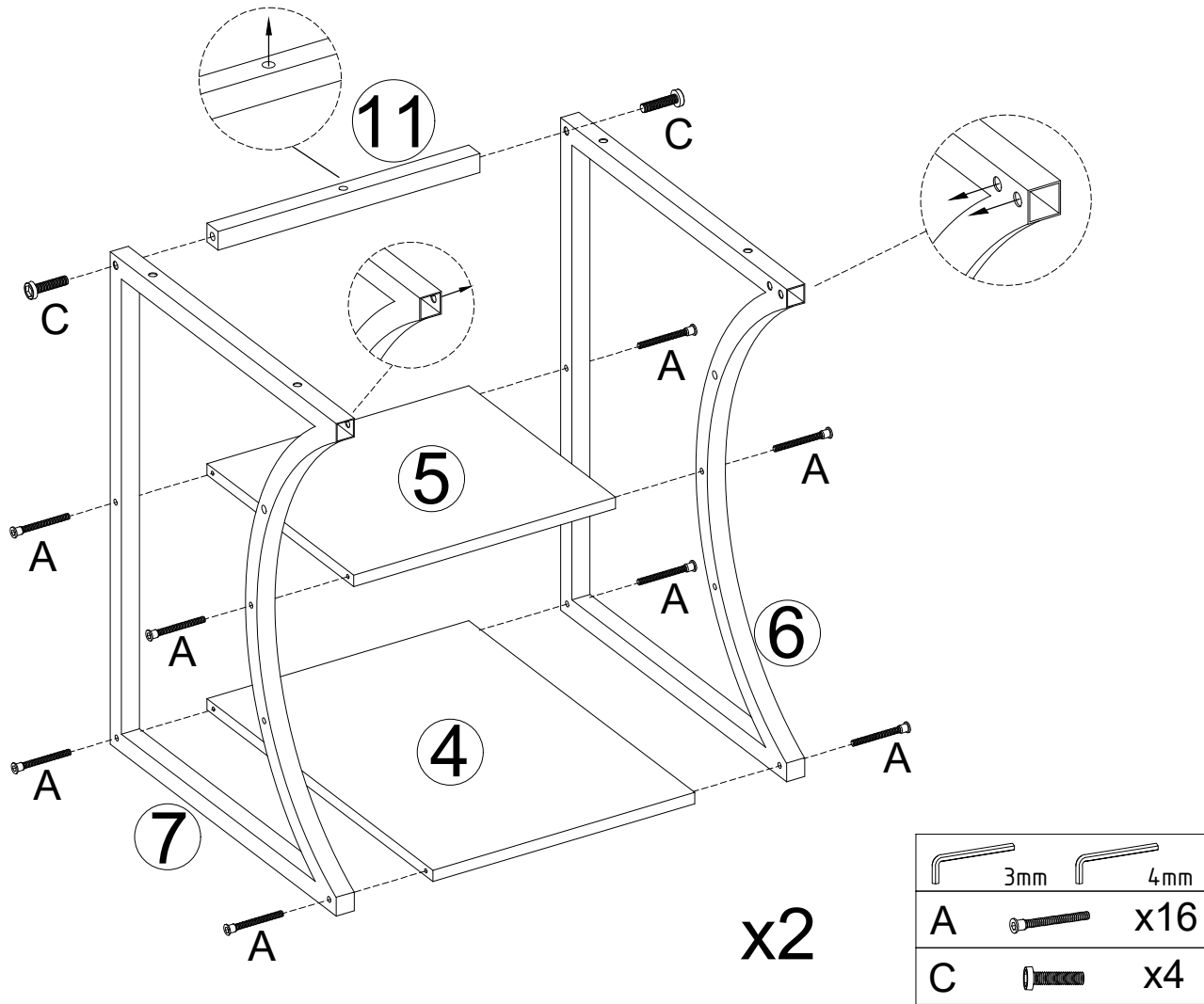
4mm



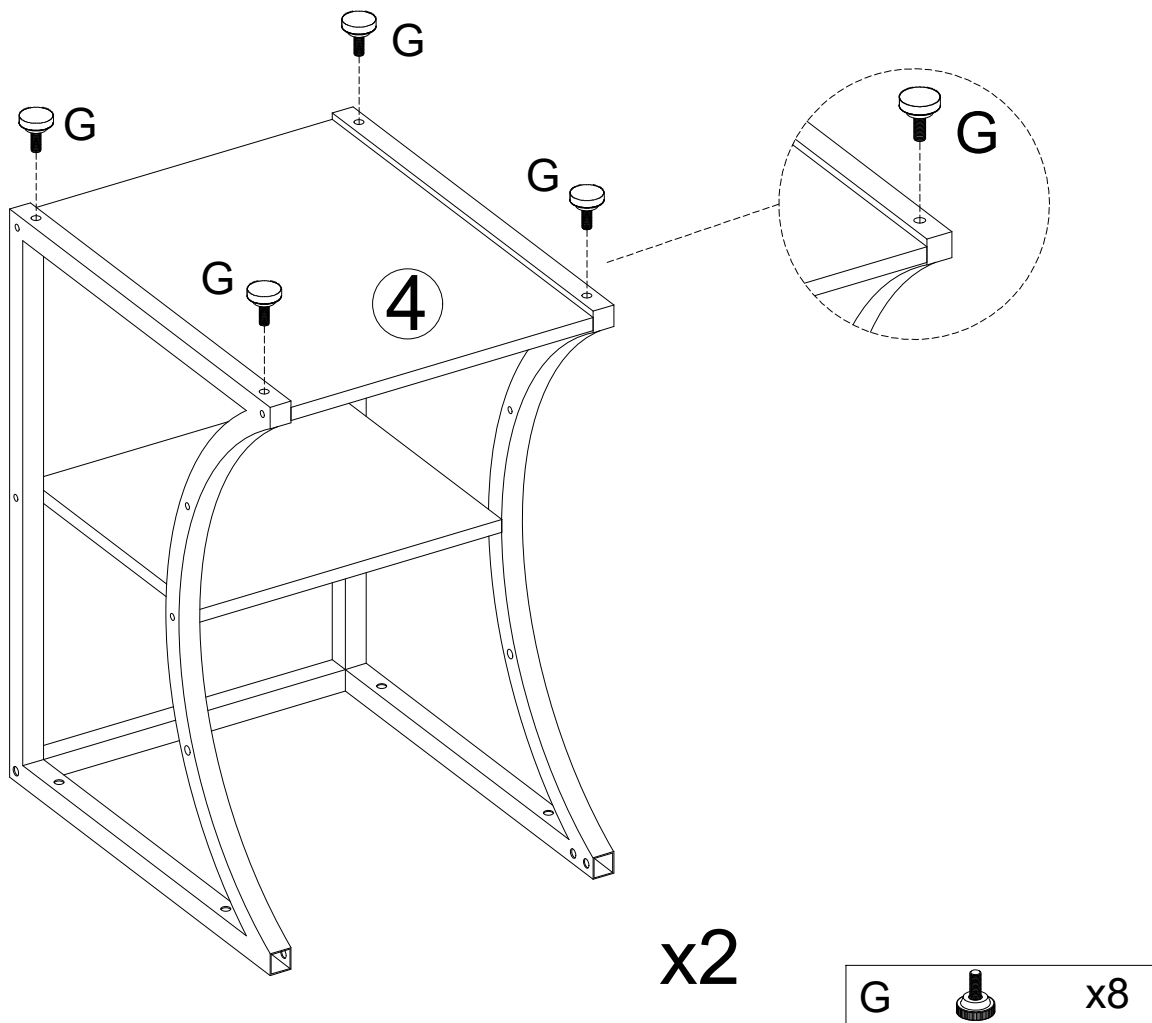
3mm



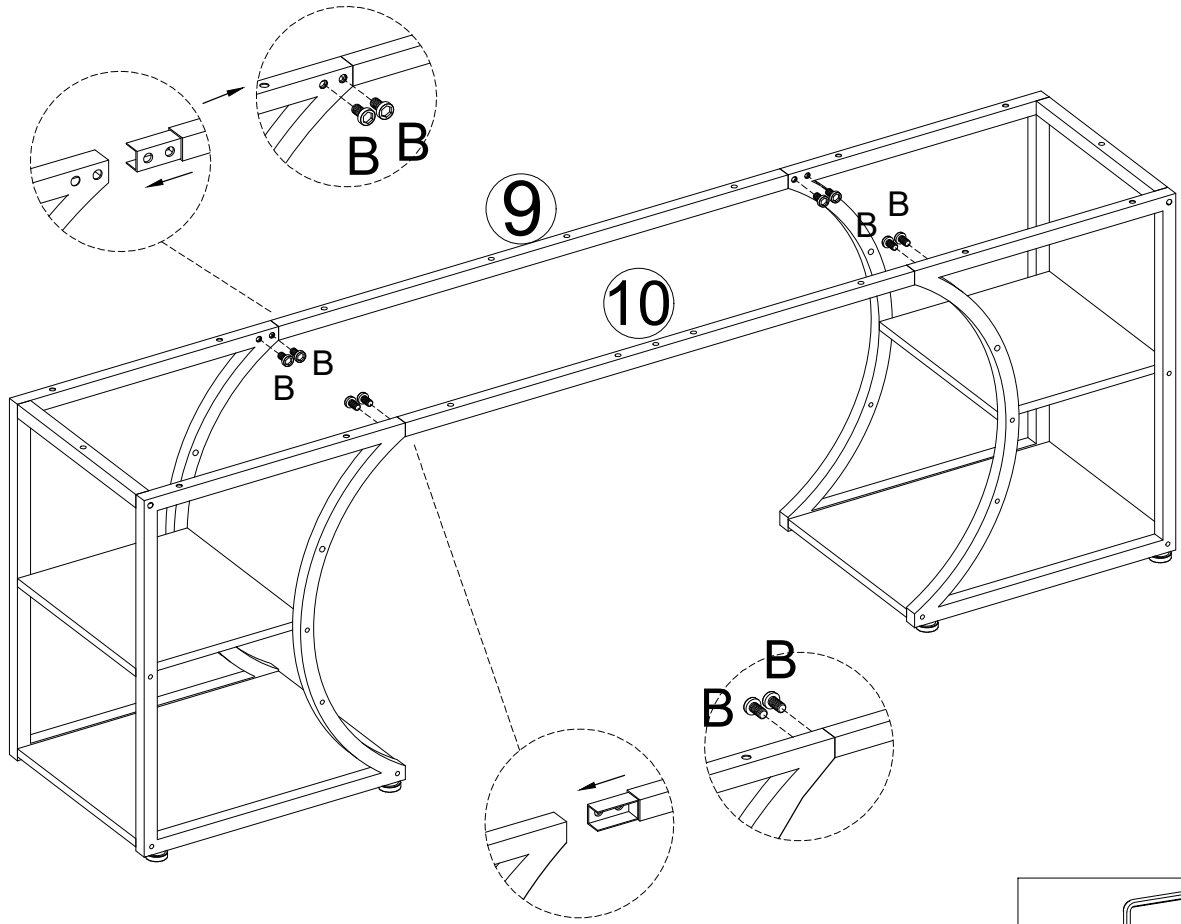
# STEP 1





# STEP 2



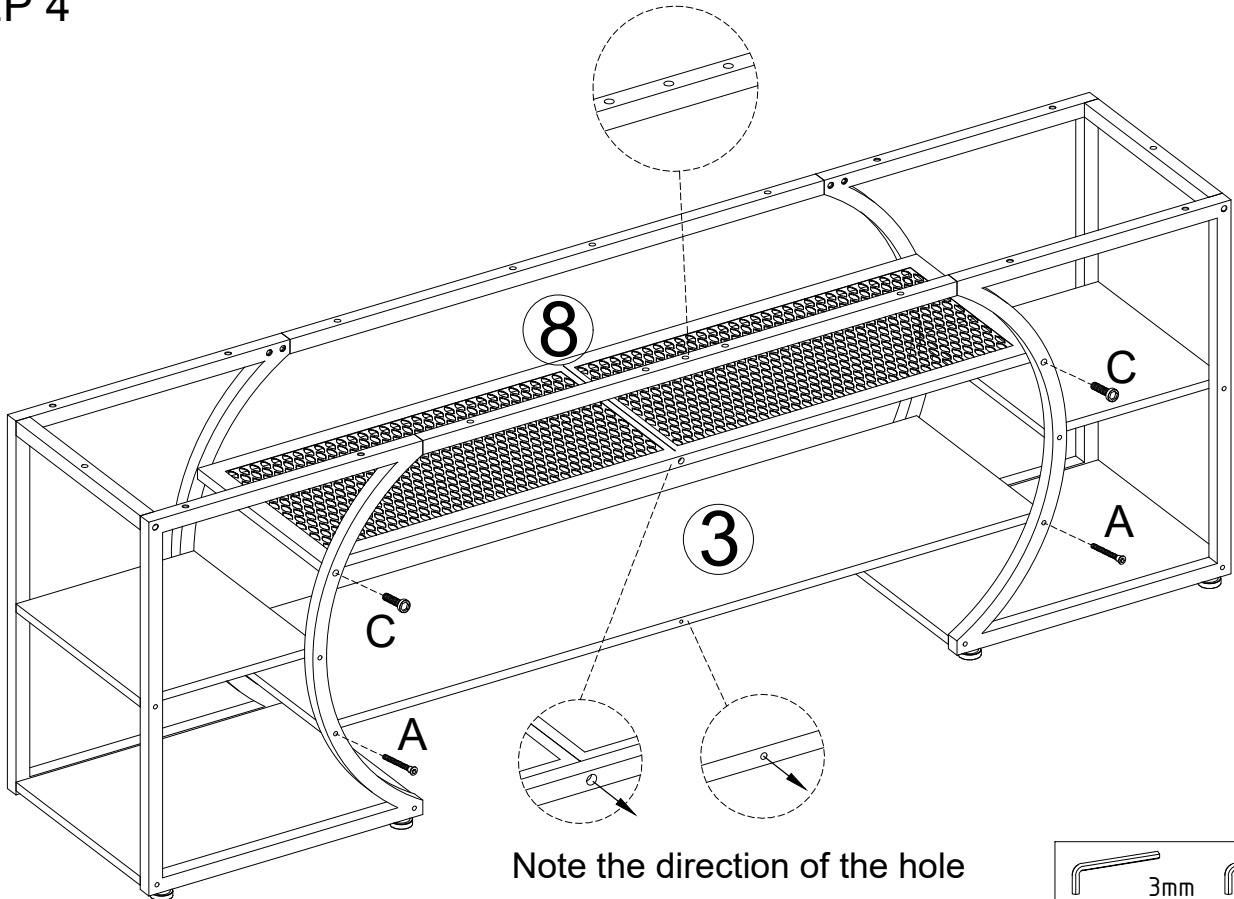
# STEP 3







		4mm
B		x8

# STEP 4

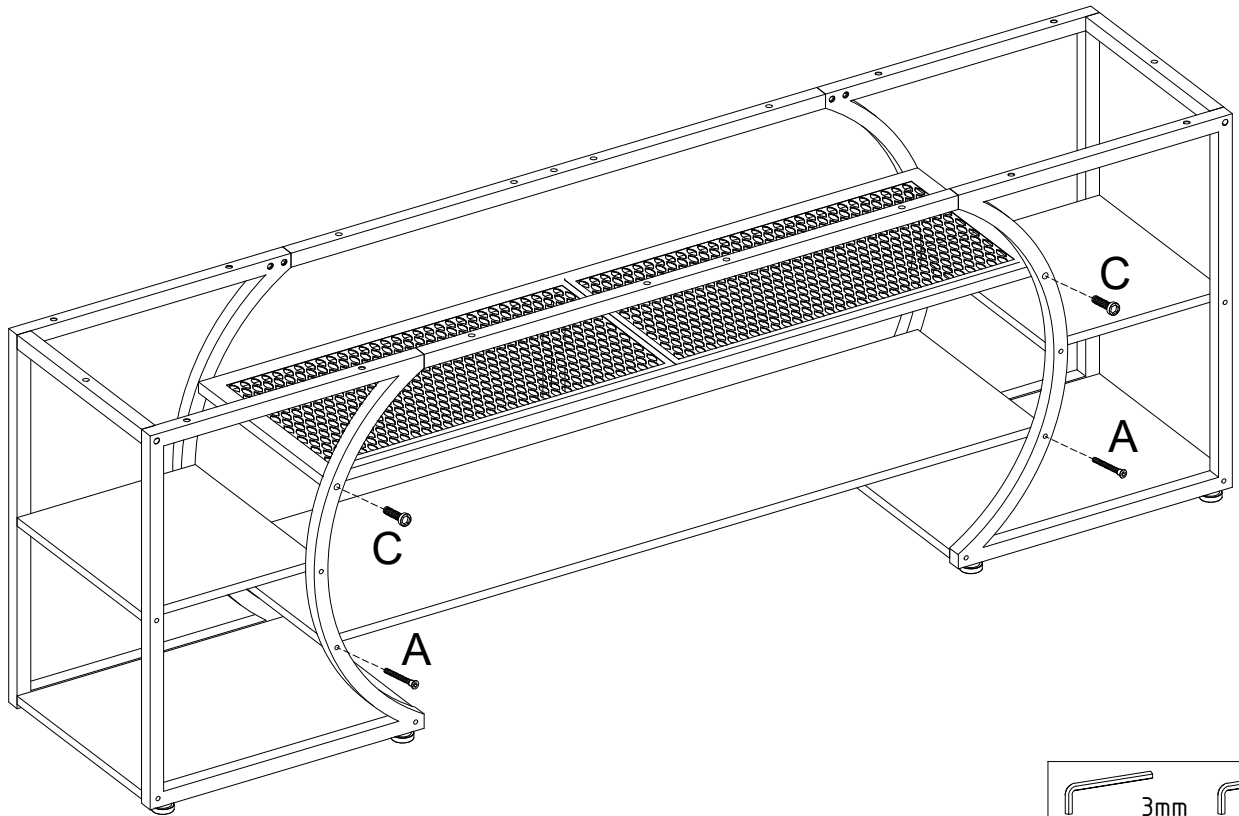
Note the direction of the hole



Note the direction of the hole

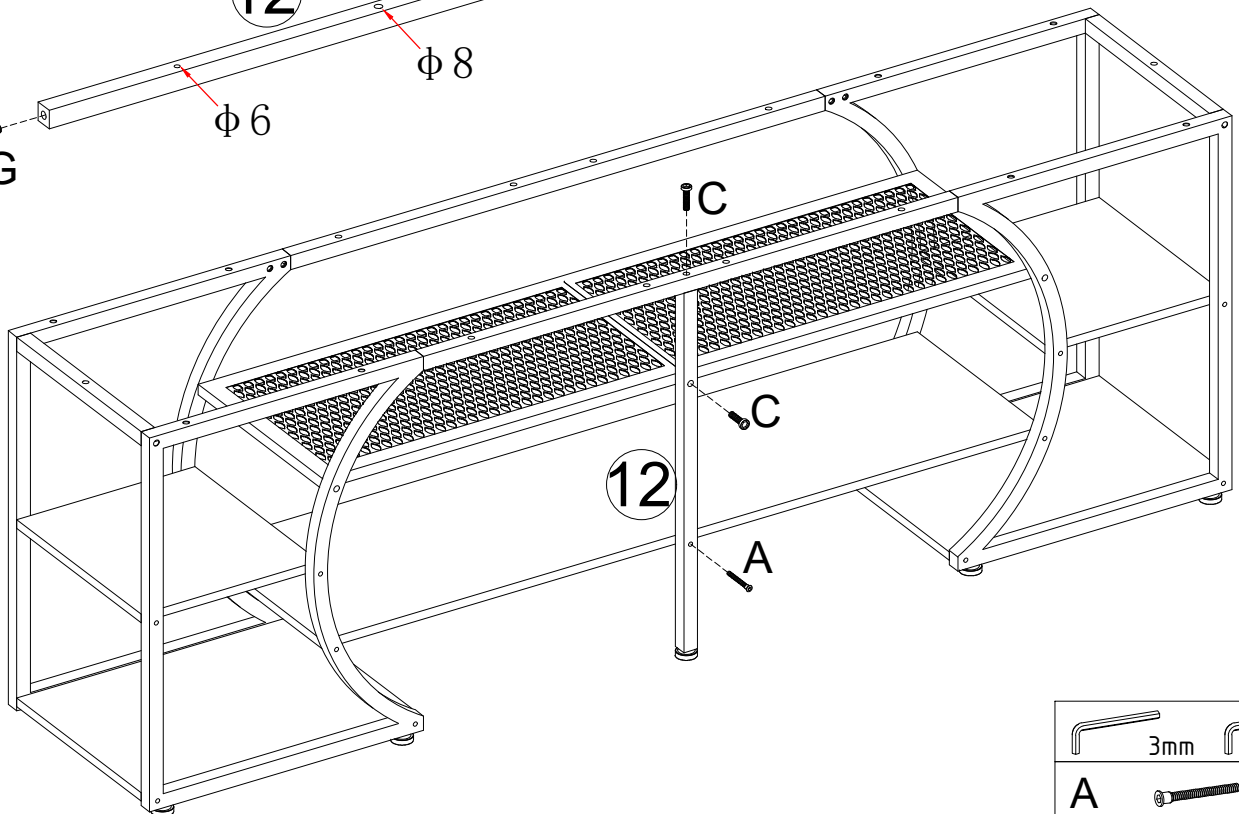
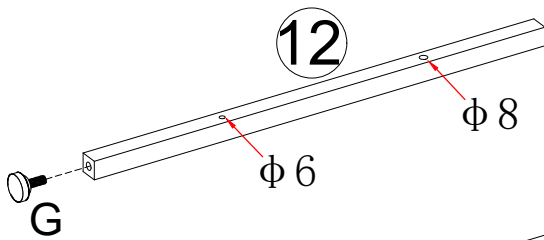
		3mm		4mm
A				x2
C				x2

# STEP 5



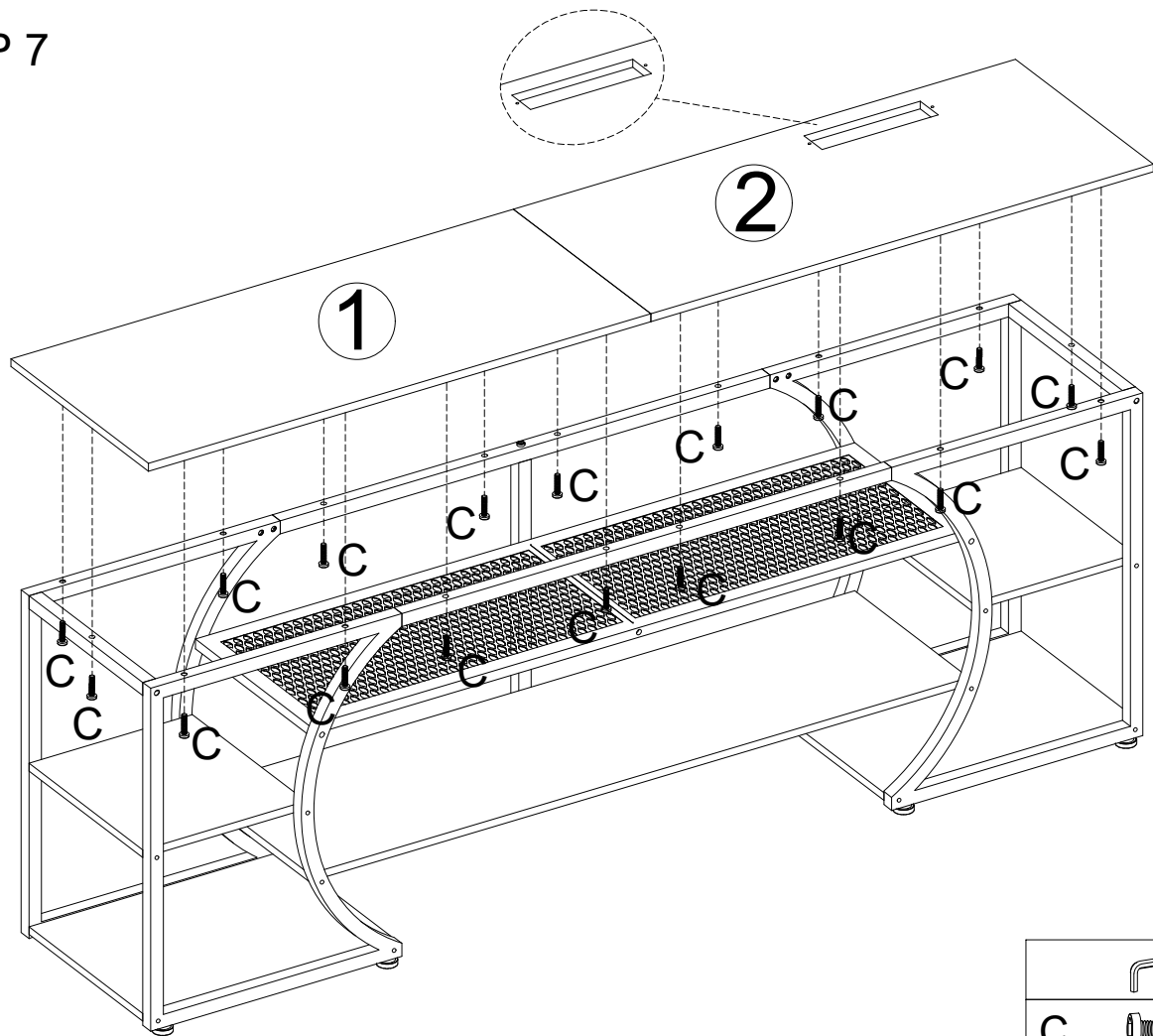
	3mm		4mm
A		x2	
C		x2	

# STEP 6

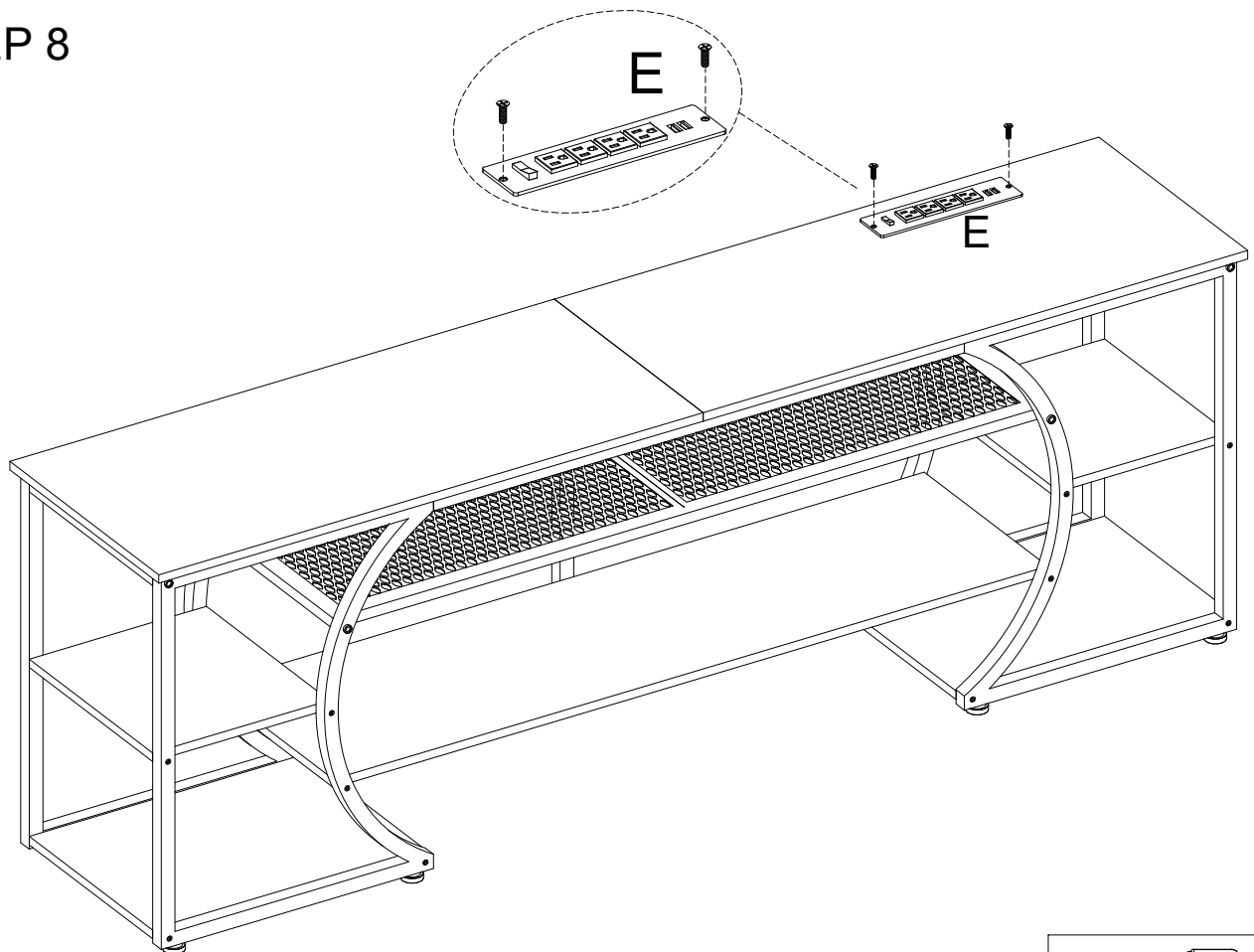


	3mm		4mm
A		x1	
C		x2	
G		x1	

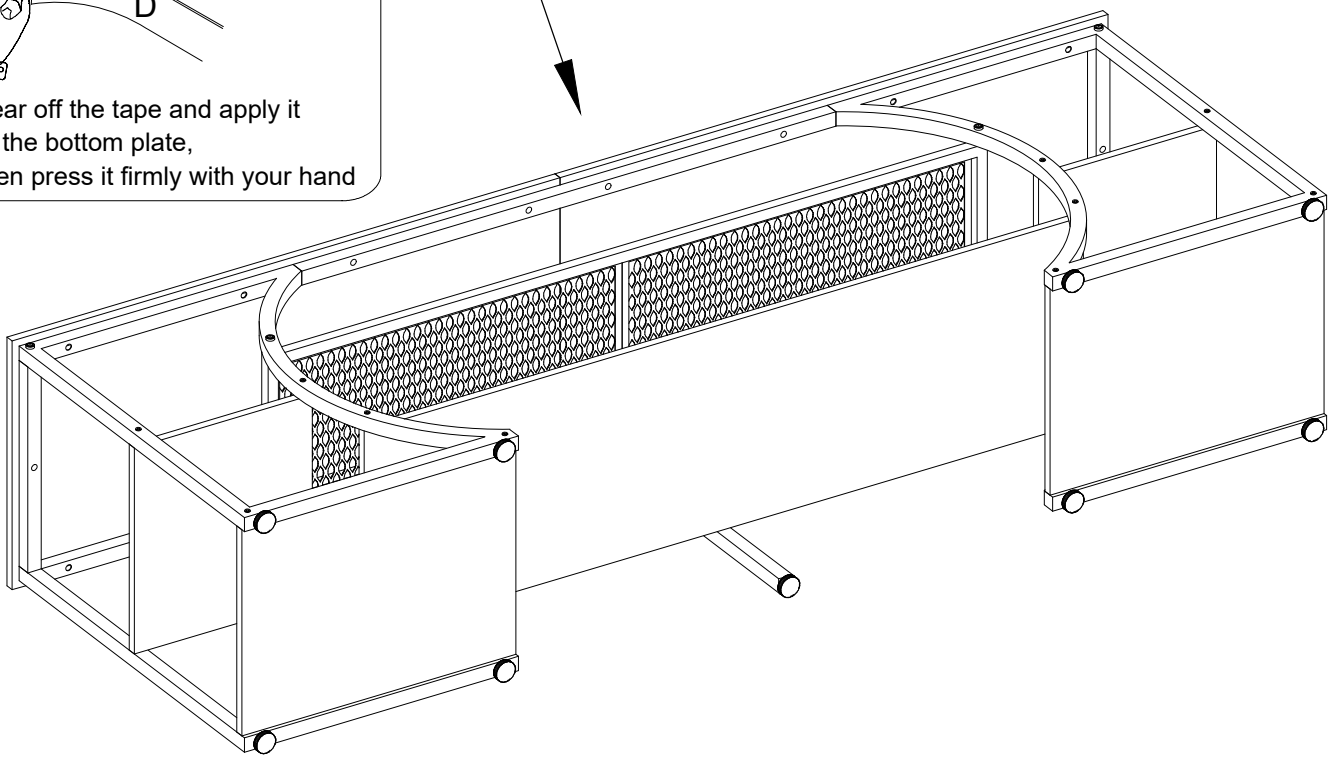
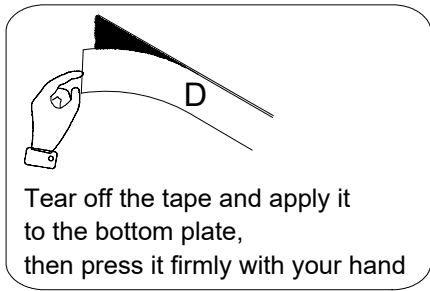
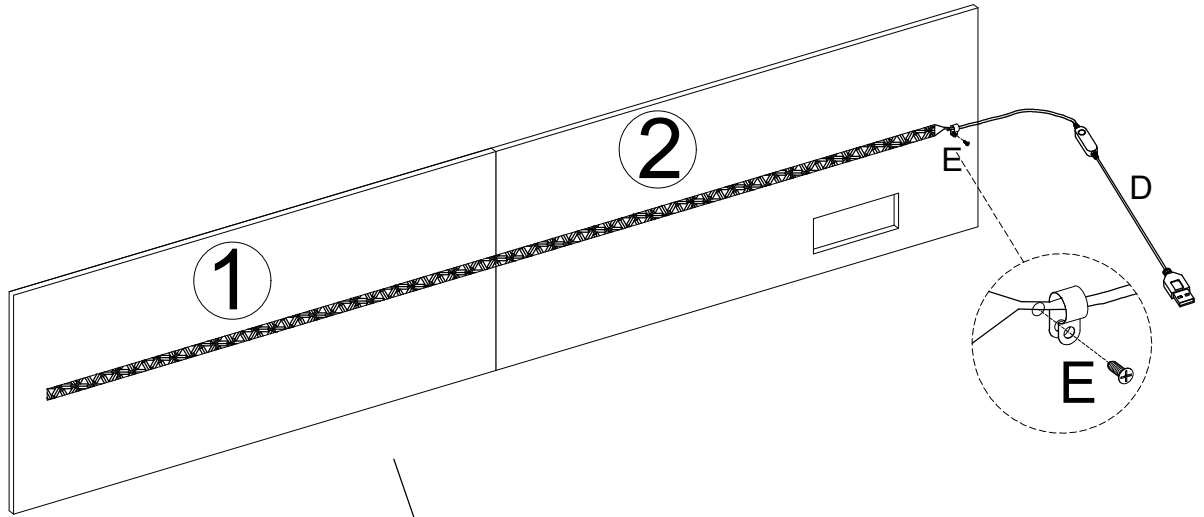
# STEP 7



# STEP 8



# STEP 9



D		x1
E		x1