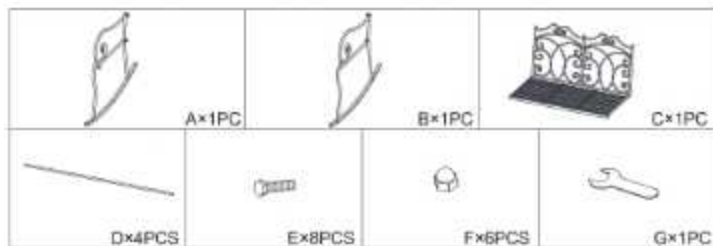




Please read these instructions and warranty information carefully before use and keep them properly for future reference.

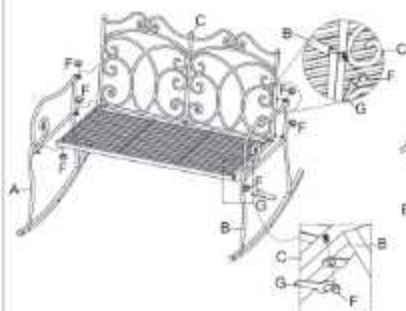
OPERATING INSTRUCTIONS

Assembly Instructions



Step 1

Step 2



Step 3

