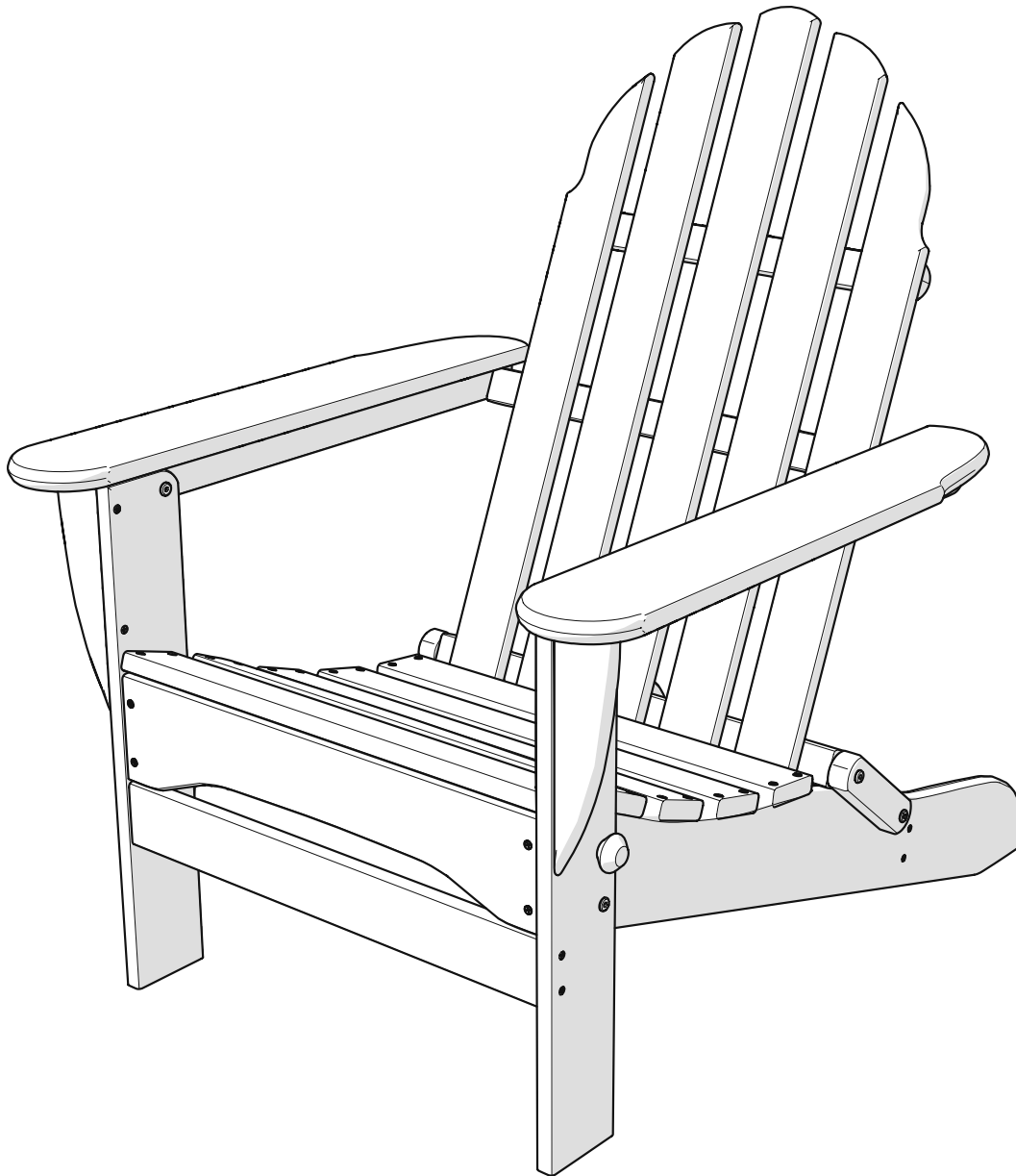


AD5030

Classic Folding Adirondack *Assembly Instructions*



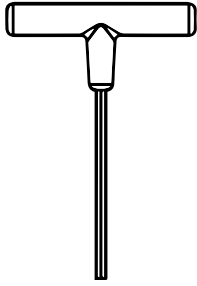
To view our full warranty, please visit the warranty page on our website at polywoodinc.com/resources.

If you have questions or concerns regarding assembly instructions or missing parts, please contact us at (877) 457-3284 or email support@polywoodinc.com

06/28/16

POLYWOOD[®]
All Weather Furnishings

TOOLS



4mm T-handle hex key
(included)

7/16 Wrench
(not included)

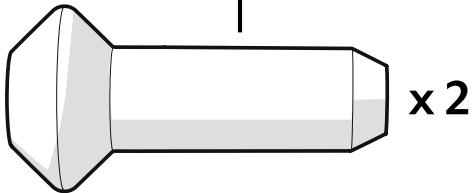
PARTS

A



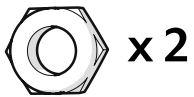
1/4-20 x 1.875 Wafer SHCS

B



3/4 x 2 - Adirondack Pin HDPE

C



1/4-20 Nylock Nut

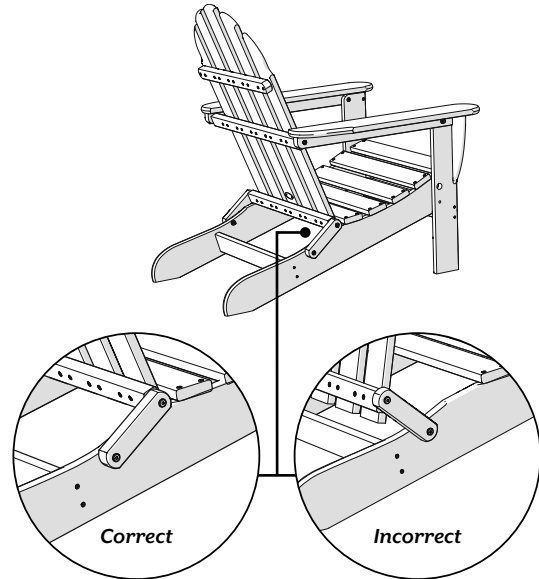
D



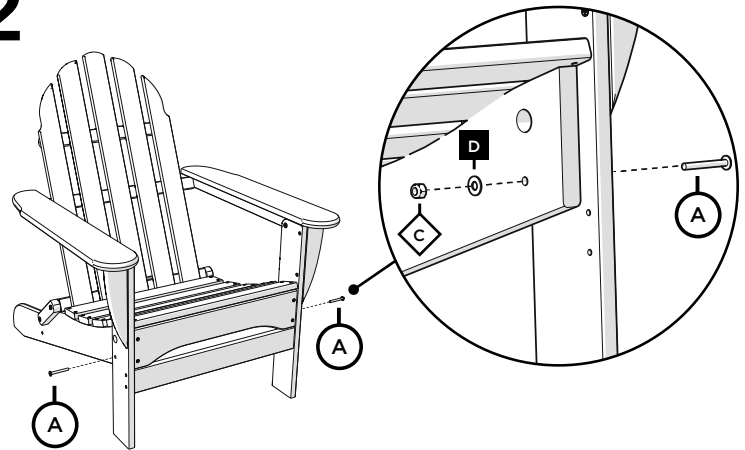
1/4 Flat Washer

Something missing?
Call (877) 457-3284

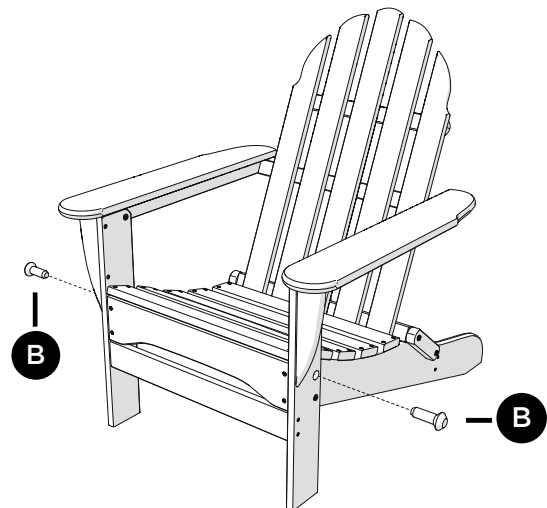
1



2



3



NOTE: Pins can be removed for folding