

INSTALLATION MANUAL

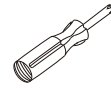


Scan for
Installation video

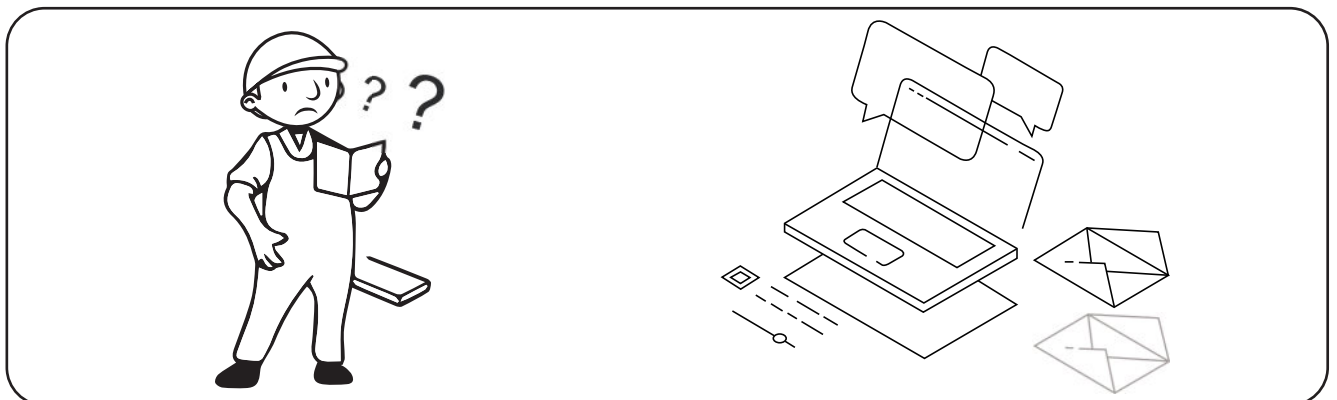
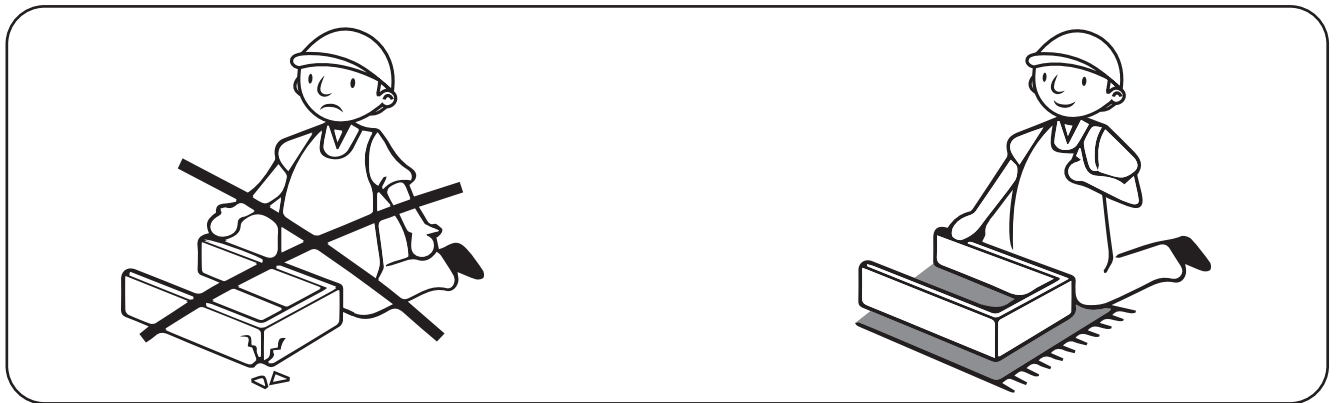
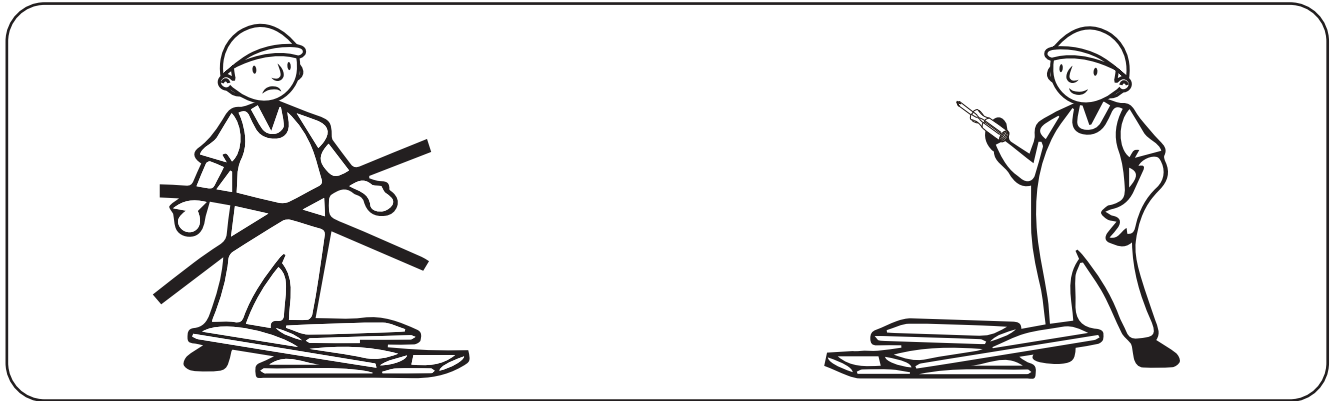
Model : FCN0050_00
Support:ServiceTeam86@outlook.com



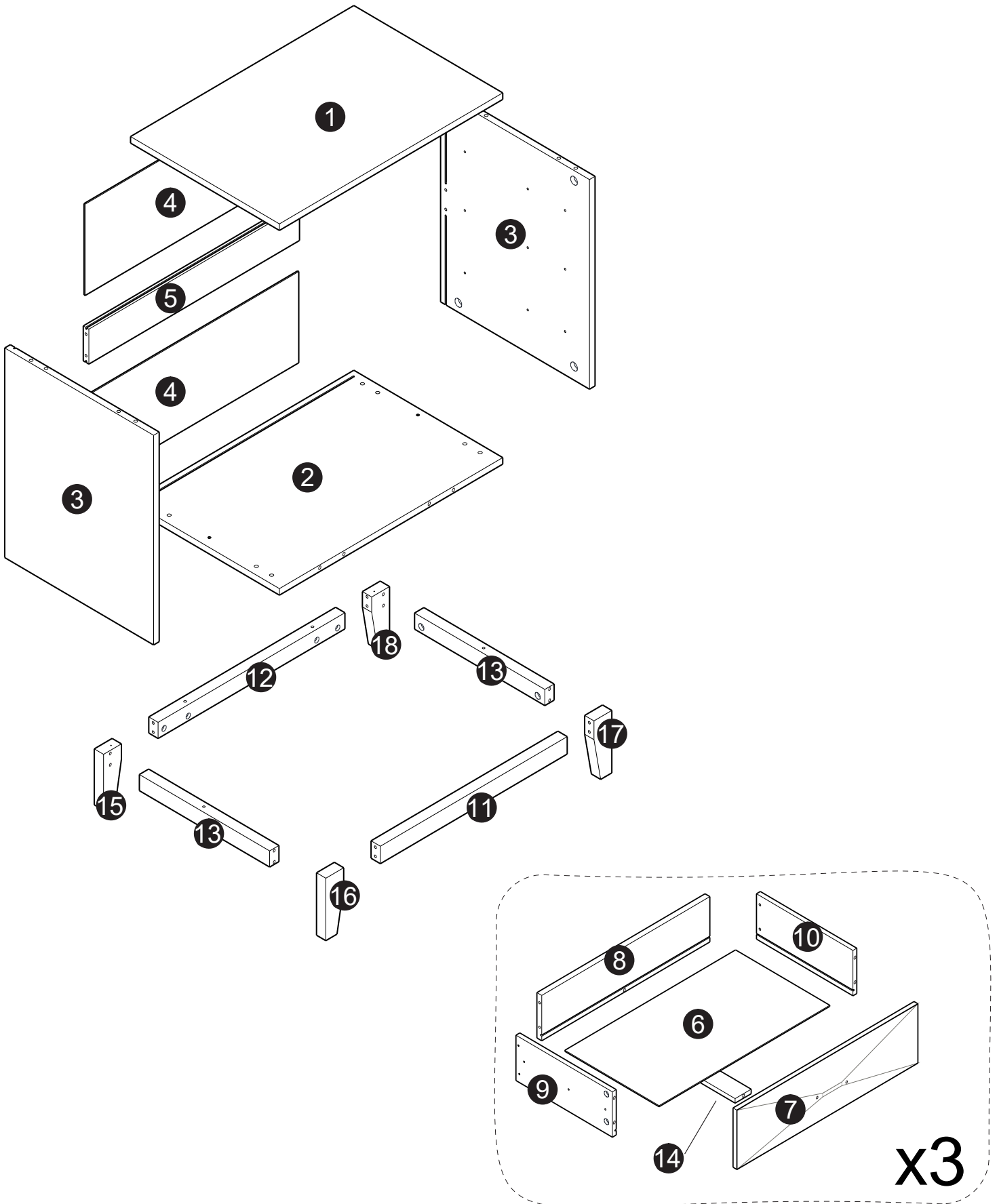
*Guests need to prepare their own :



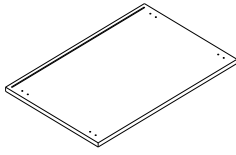
Phillips screwdriver



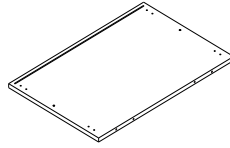
PARTS



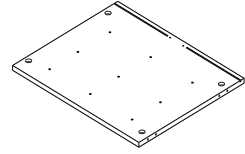
1x ①



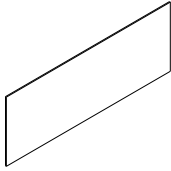
1x ②



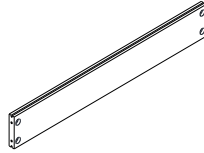
2x ③



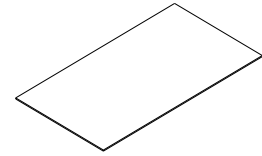
2x ④



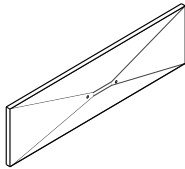
1x ⑤



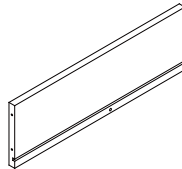
3x ⑥



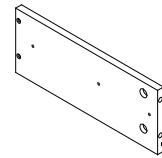
3x ⑦



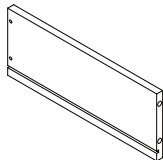
3x ⑧



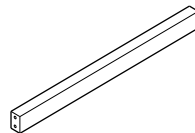
3x ⑨



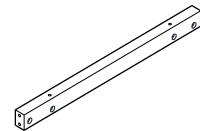
3x ⑩



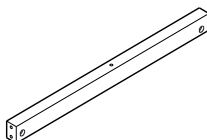
1x ⑪



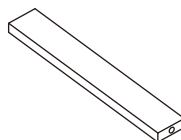
1x ⑫



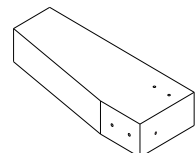
2x ⑬



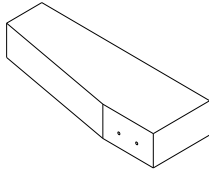
3x ⑭



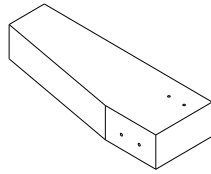
1x ⑮



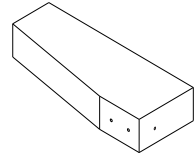
1x16



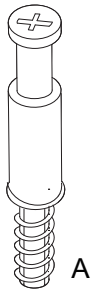
1x17



1x18



39x



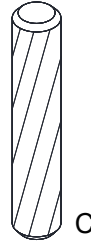
A

19x



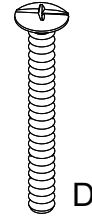
B

18x



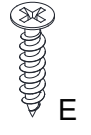
C

6x



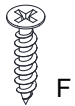
D

8x



E

36x



F

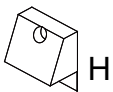
39x



G

Scale 1:1

8x



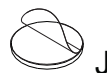
H

16x



I

4x



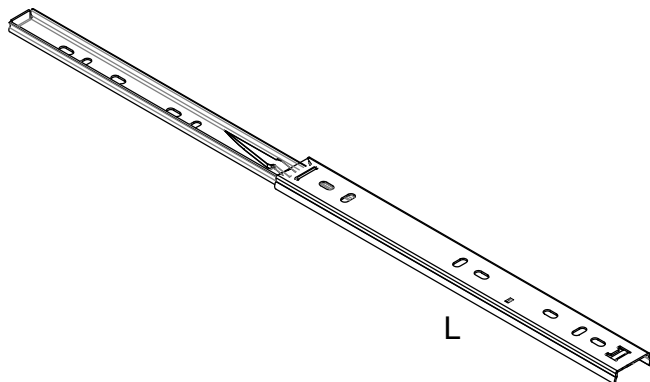
J

3x



K

6x

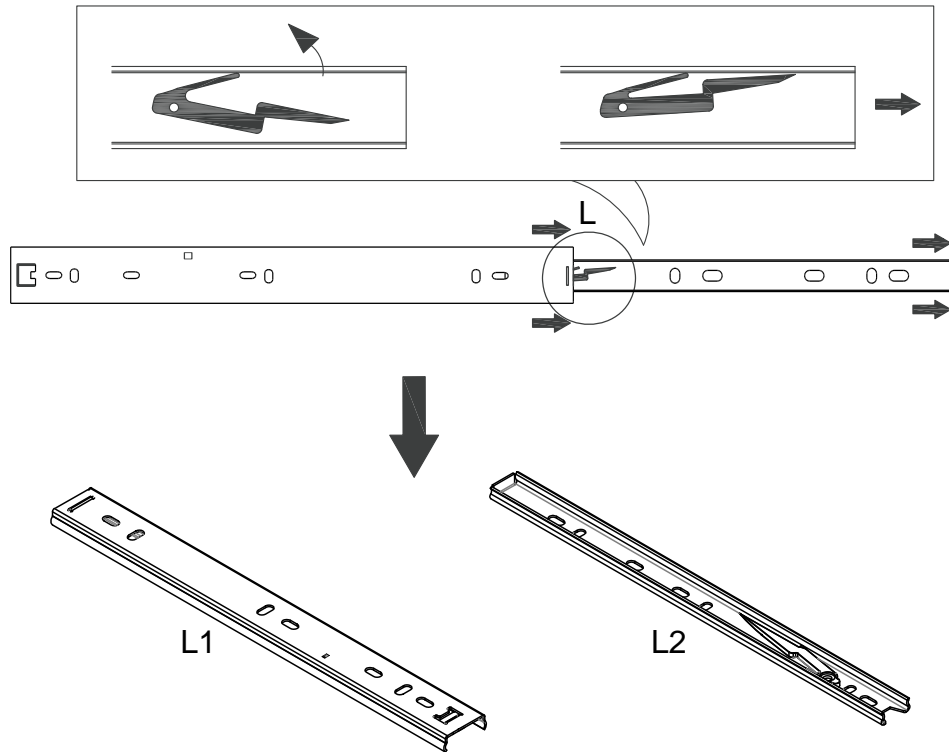


L

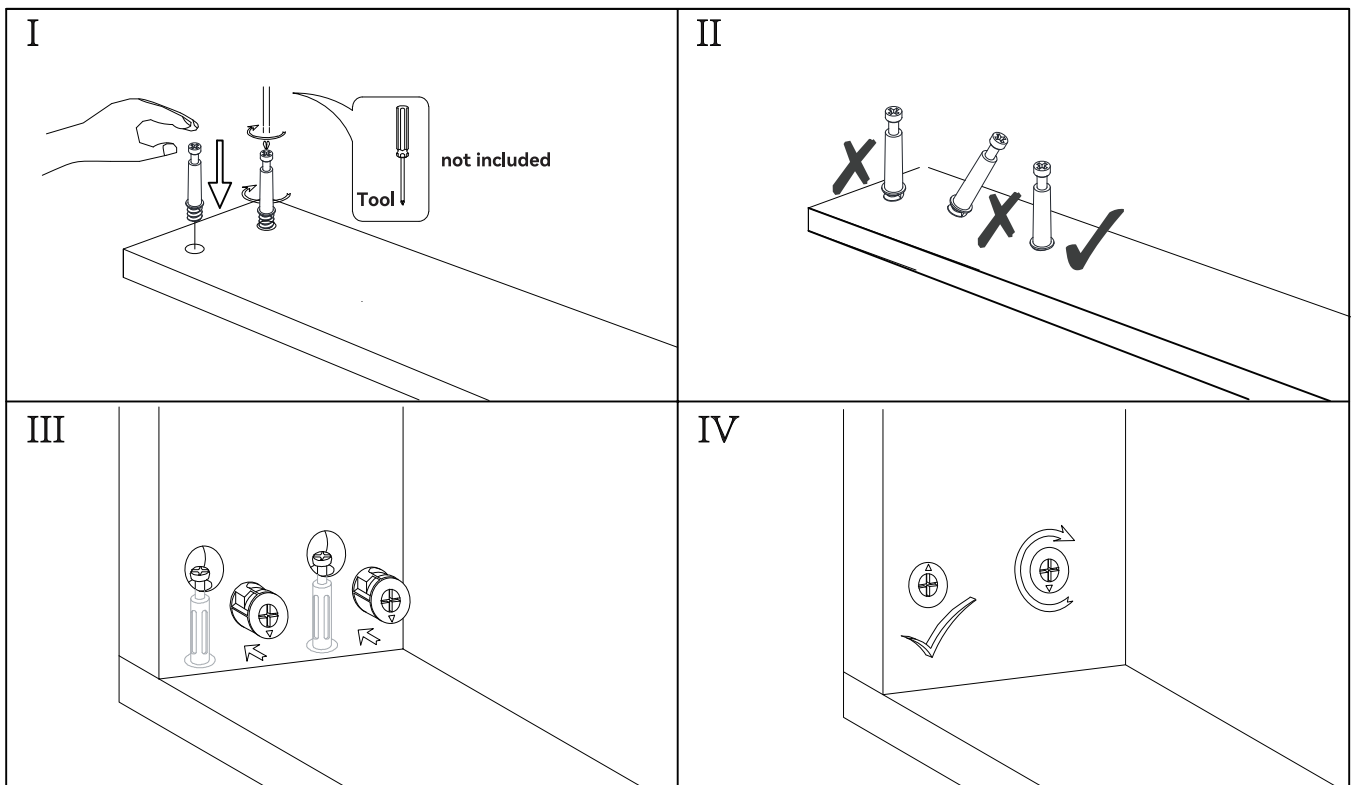
Note: Some screws include extra pieces for your convenience. Please keep them in case of future use.


Hardware List

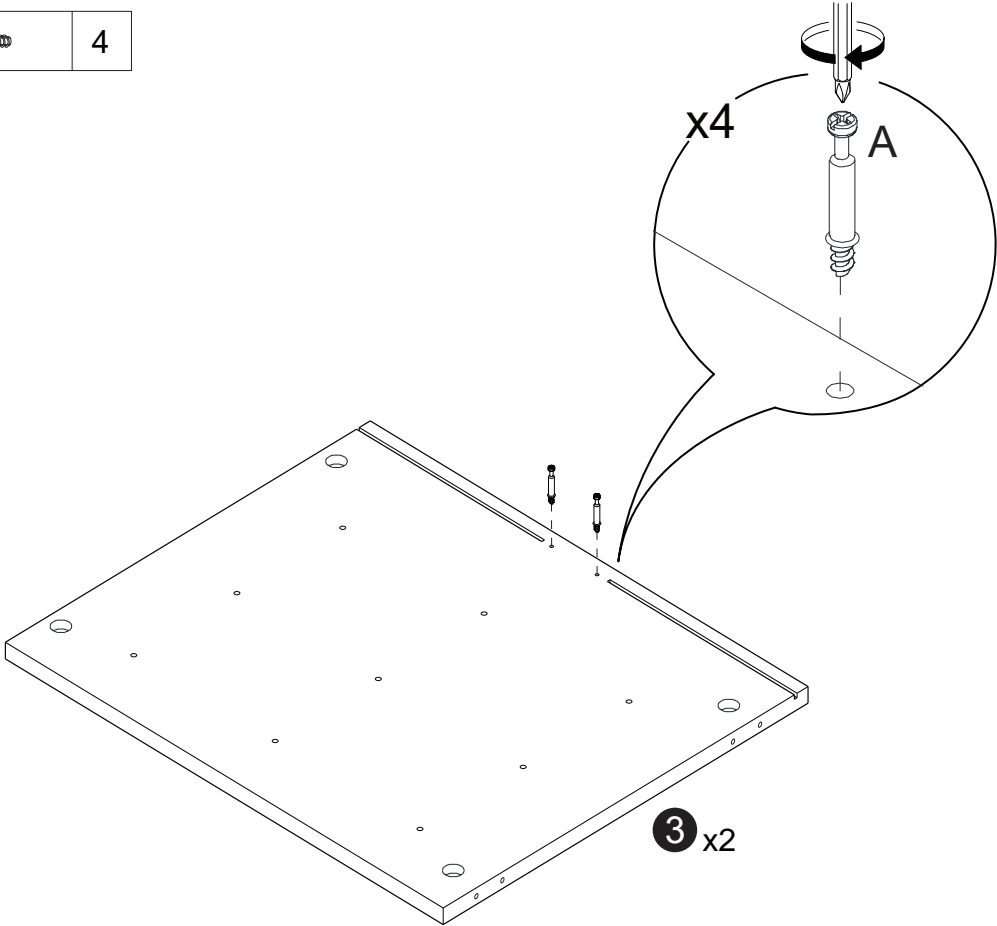
Press the plastic lever and slide out the designated component for subsequent use in Part Q1 and Q2 assembly





NOTED:

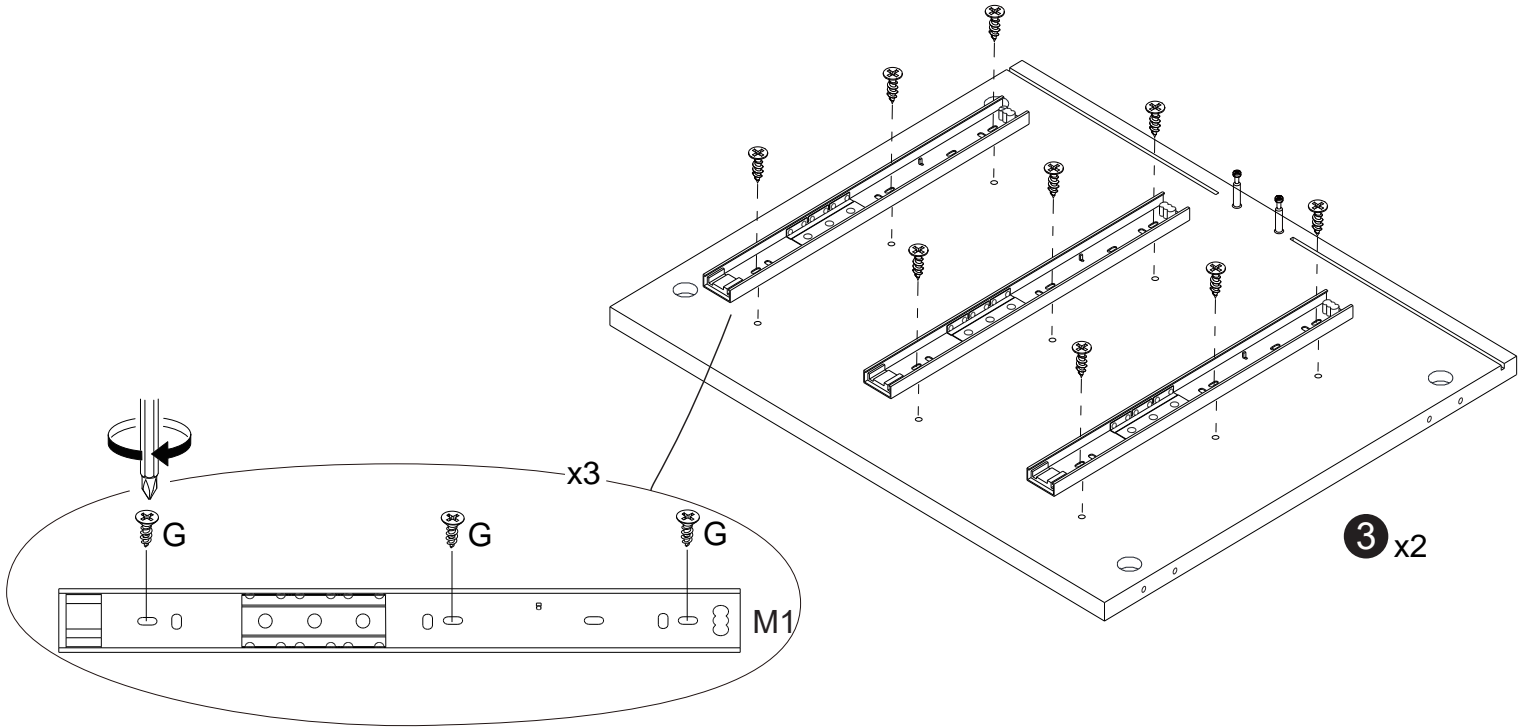


| | | |
|---|---|---|
| A |  | 4 |
|---|---|---|



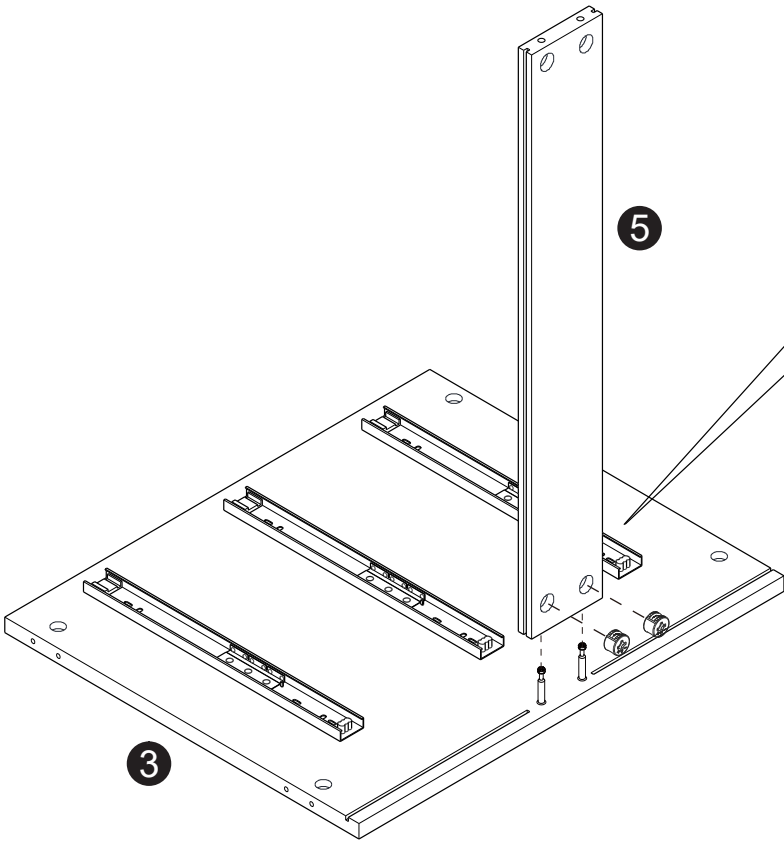
1

| | | |
|----|---|----|
| F |  | 18 |
| L1 |  | 6 |

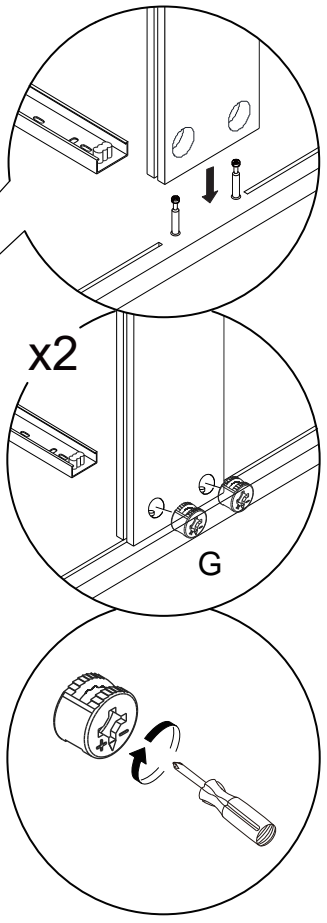



2

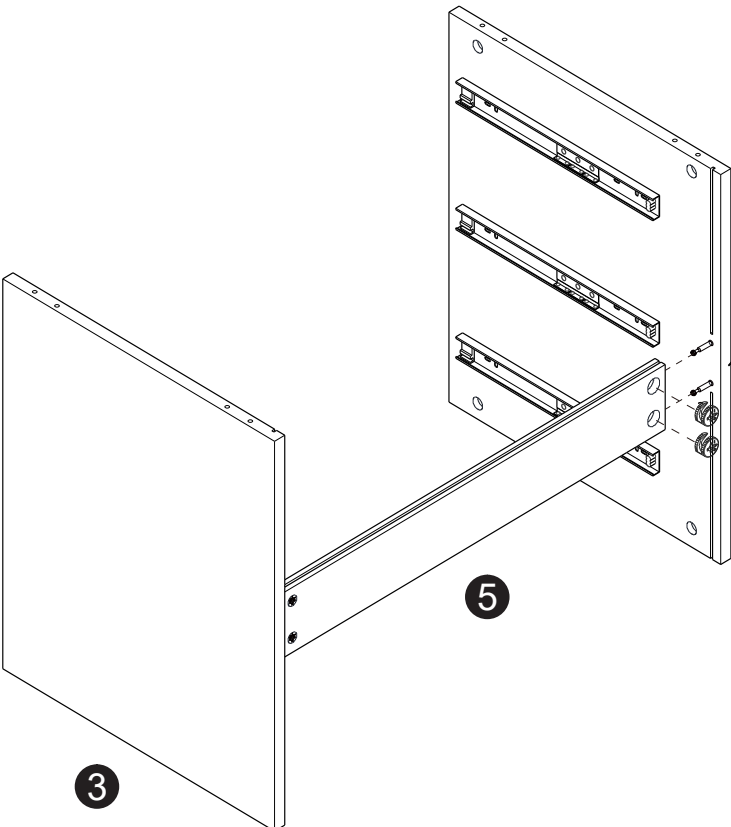
| | | |
|---|---|---|
| G |  | 2 |
|---|---|---|



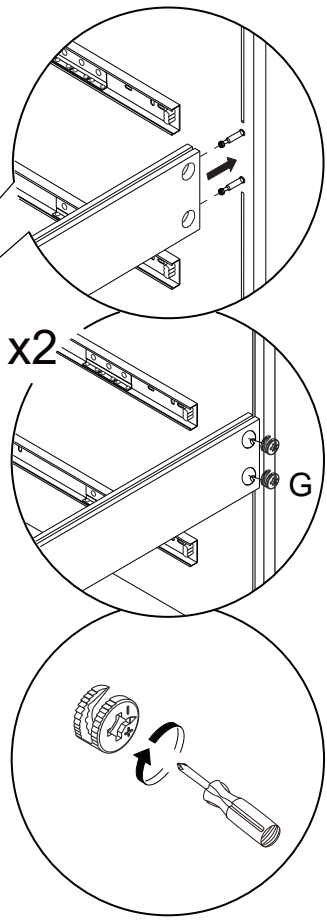
3



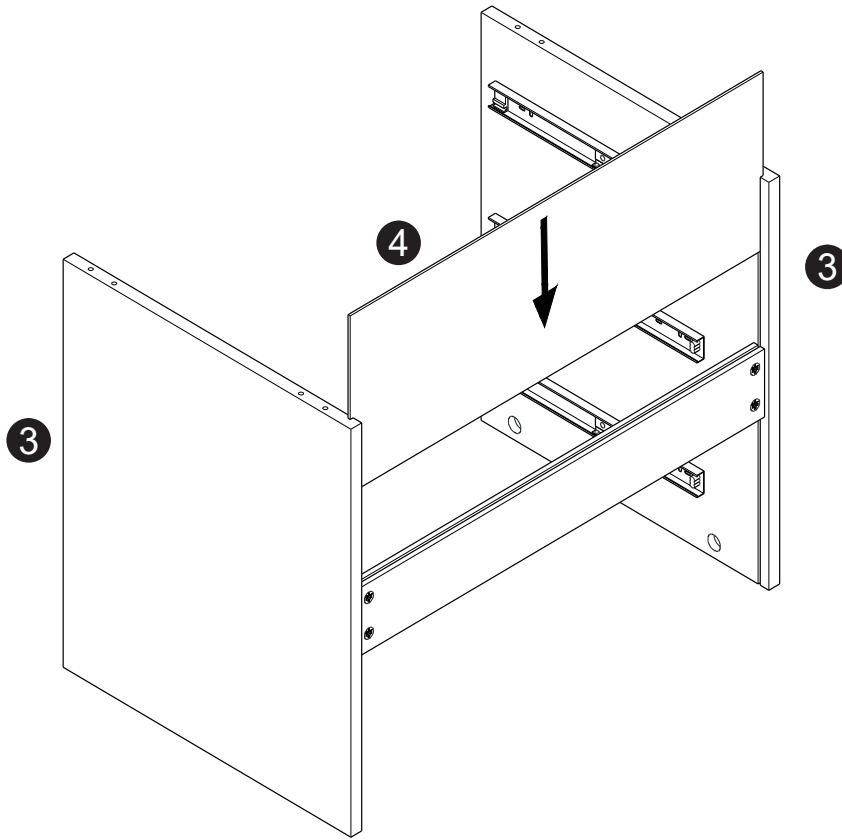
| | | |
|---|---|---|
| G |  | 2 |
|---|---|---|




4

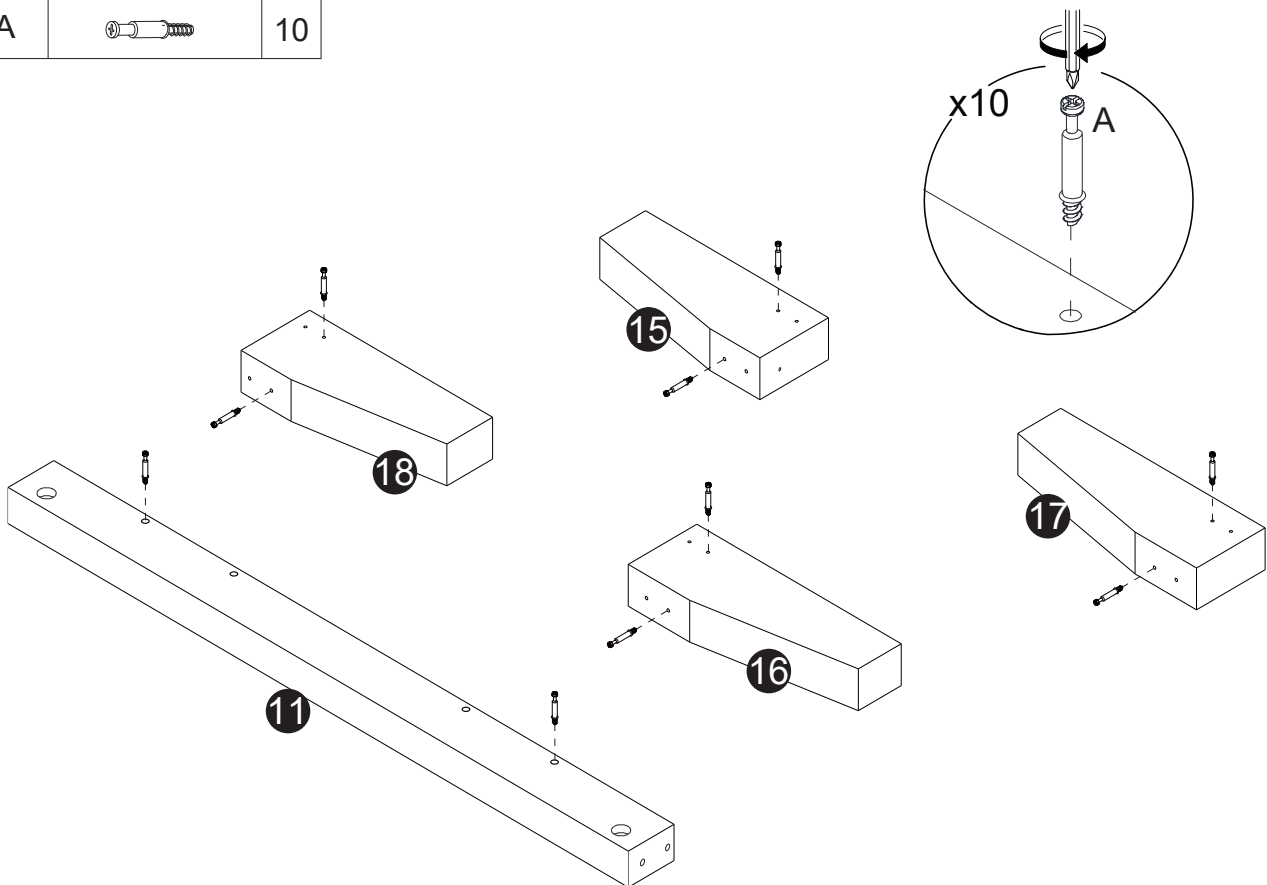



5



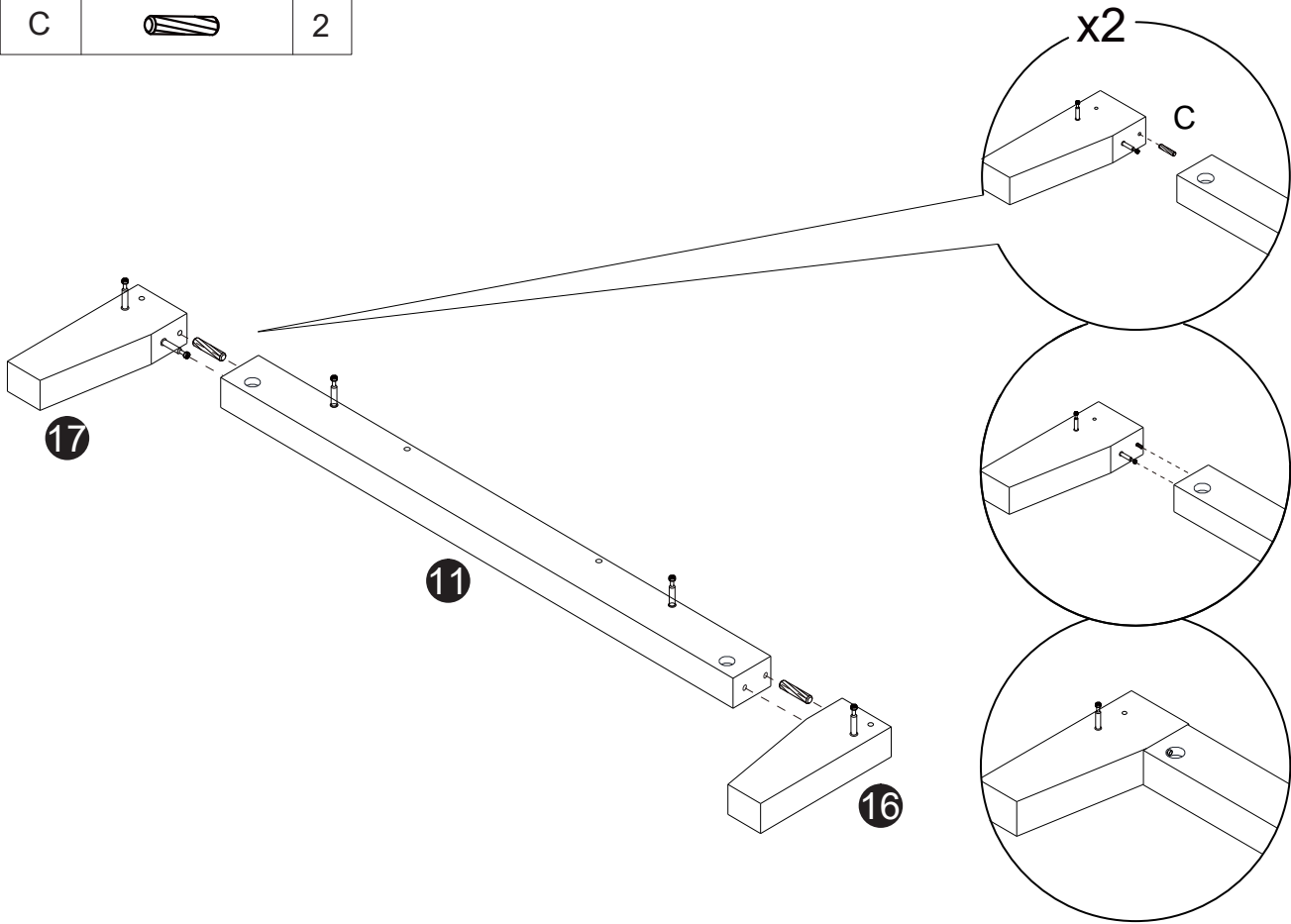
| | | |
|---|---|----|
| A |  | 10 |
|---|---|----|


6



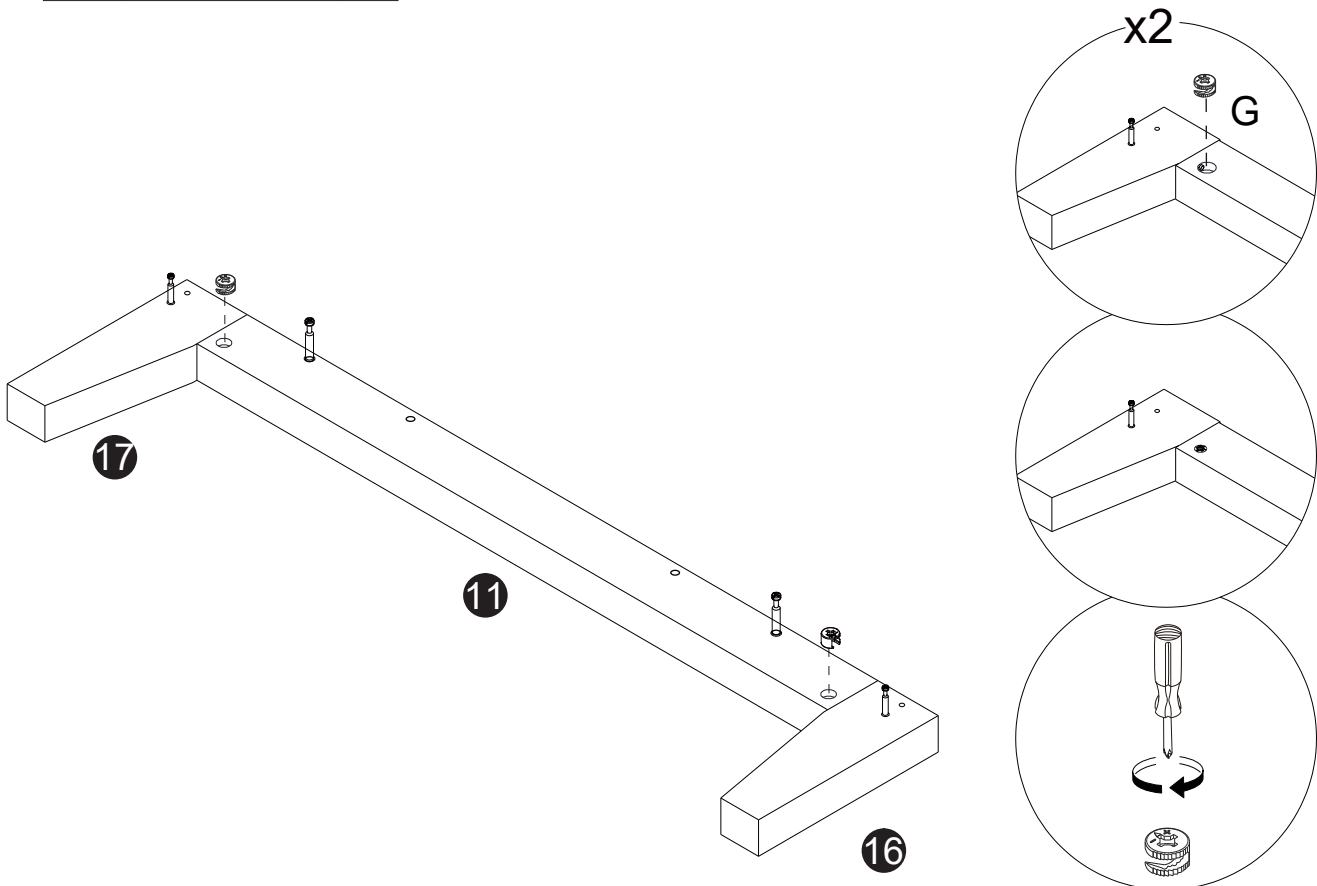
| | | |
|---|---|---|
| C |  | 2 |
|---|---|---|


7



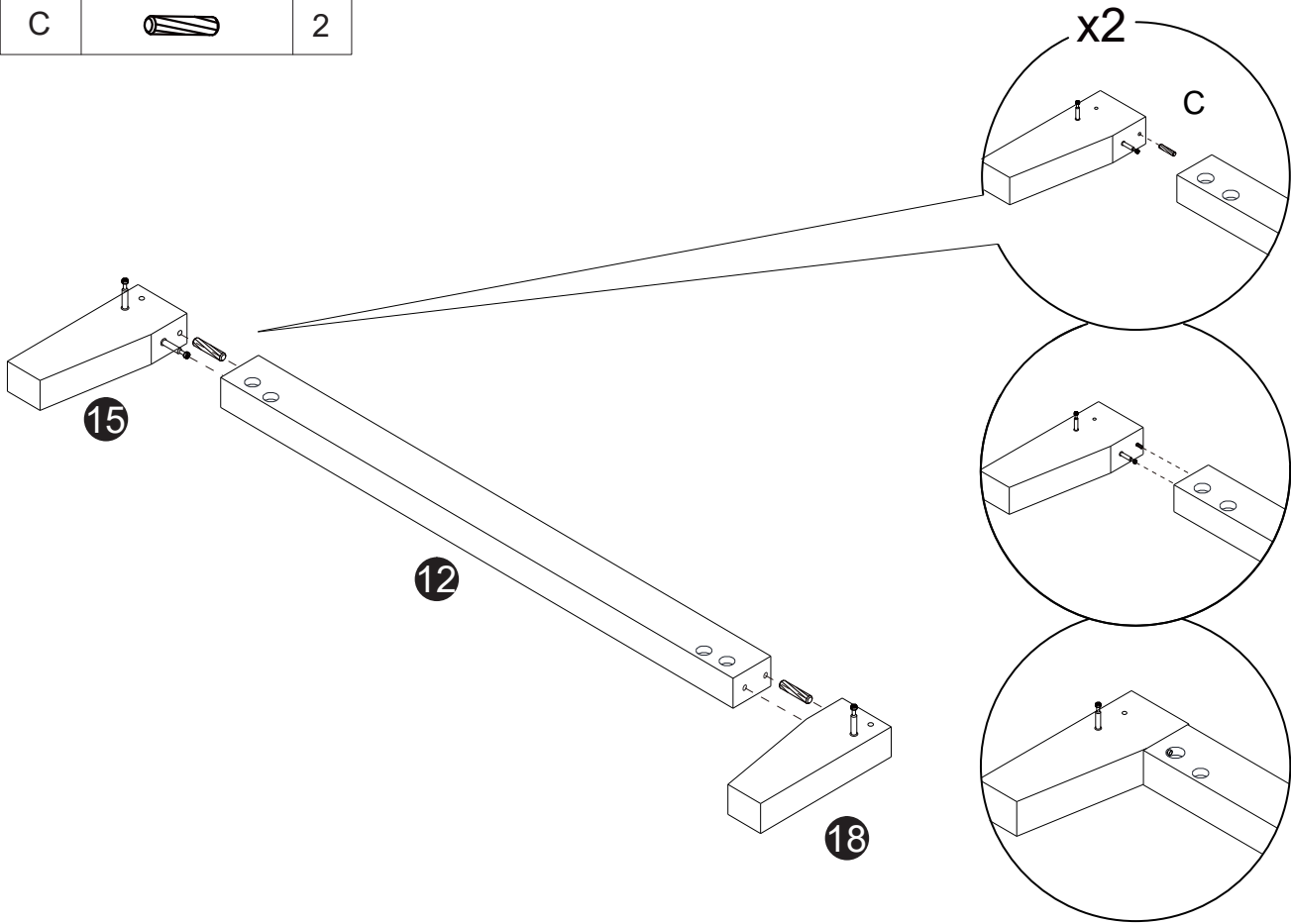
| | | |
|---|---|---|
| G |  | 2 |
|---|---|---|


8



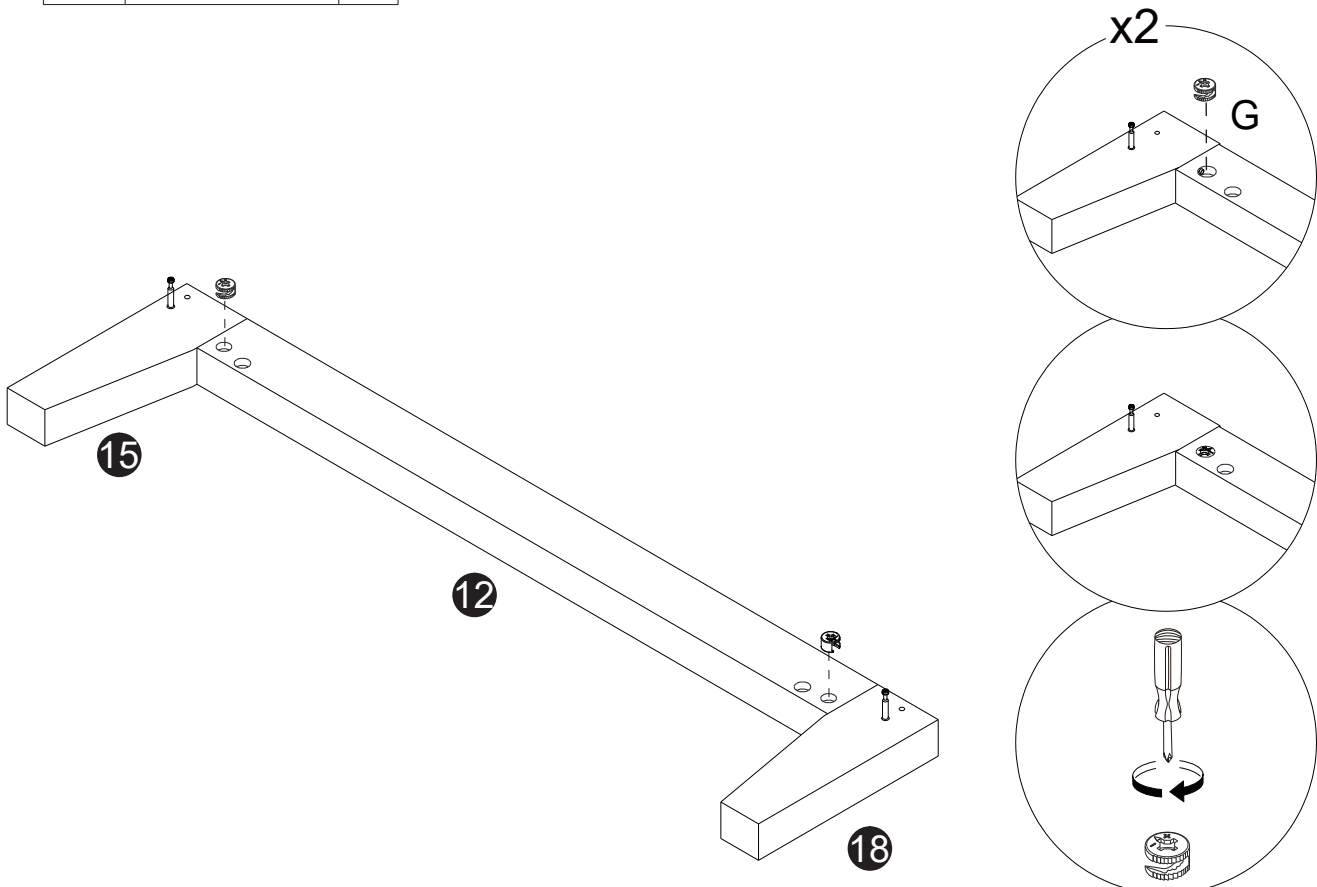
| | | |
|---|---|---|
| C |  | 2 |
|---|---|---|


9



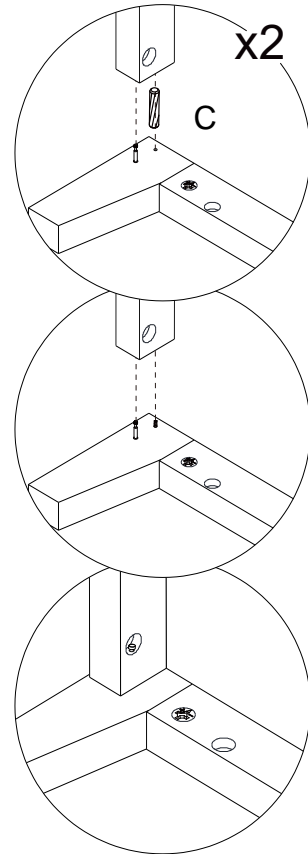
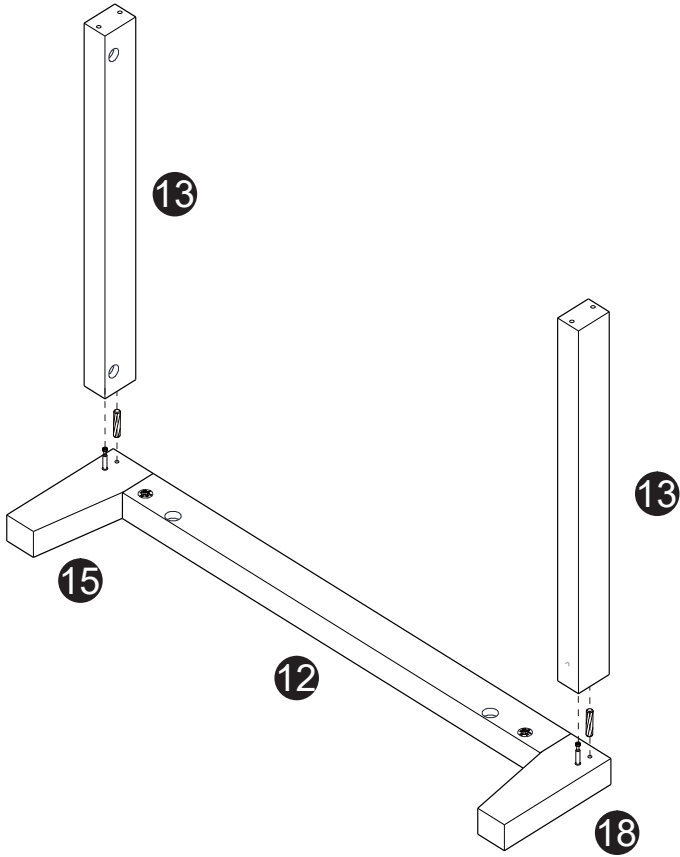
| | | |
|---|---|---|
| G |  | 2 |
|---|---|---|


10



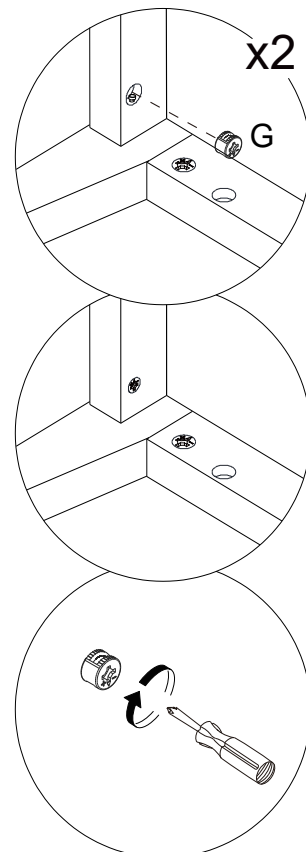
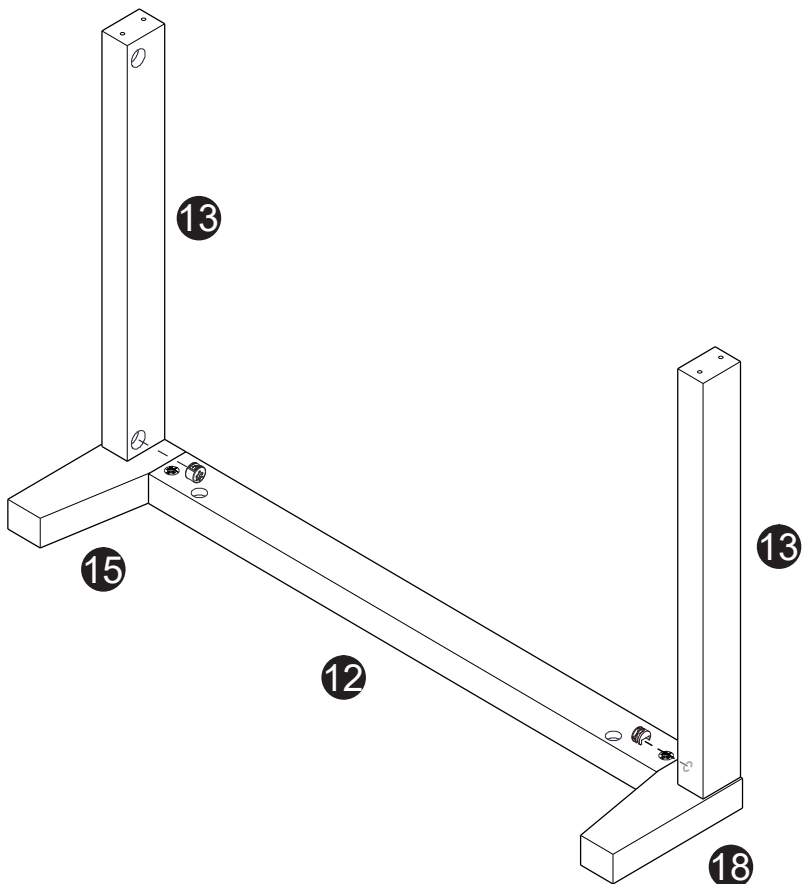
| | | |
|---|---|---|
| C |  | 2 |
|---|---|---|

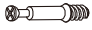
11



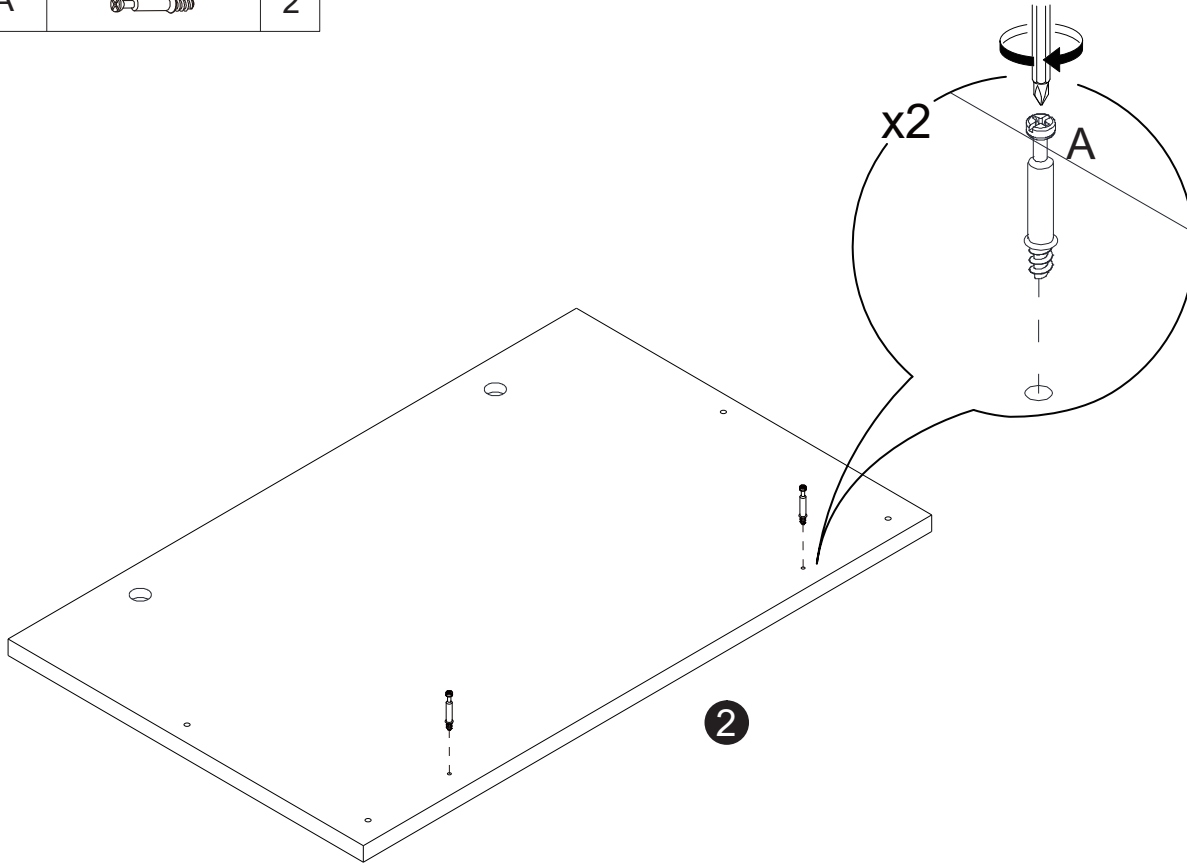
| | | |
|---|---|---|
| G |  | 2 |
|---|---|---|


12



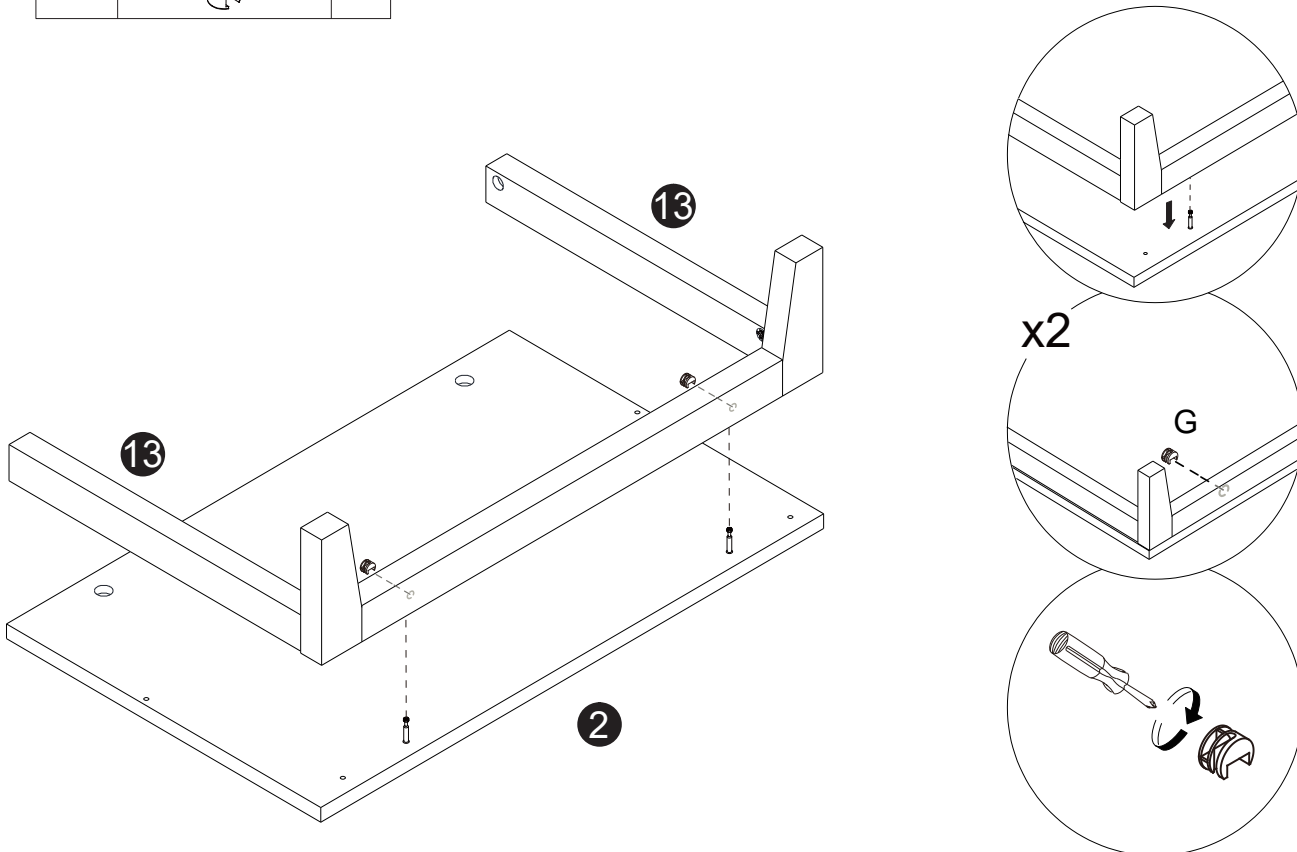
| | | |
|---|---|---|
| A |  | 2 |
|---|---|---|

13



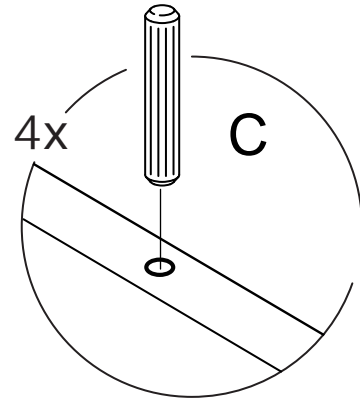
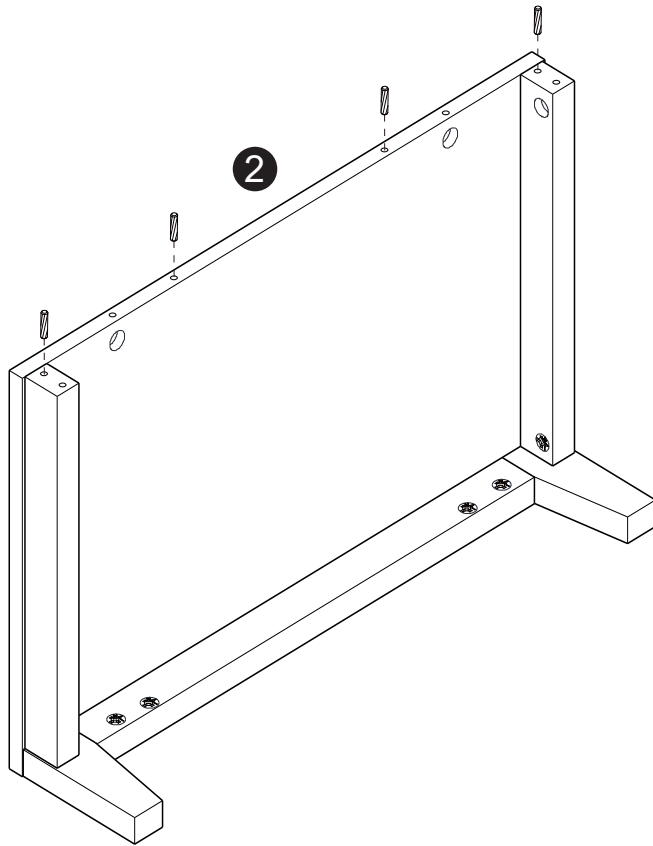
| | | |
|---|---|---|
| G |  | 2 |
|---|---|---|


14



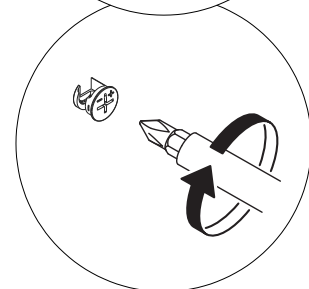
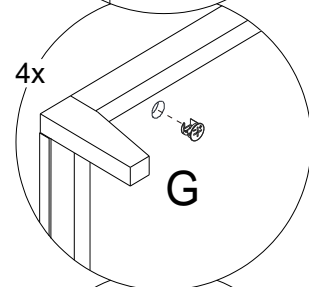
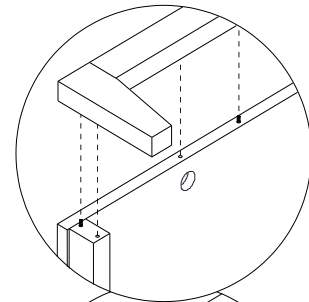
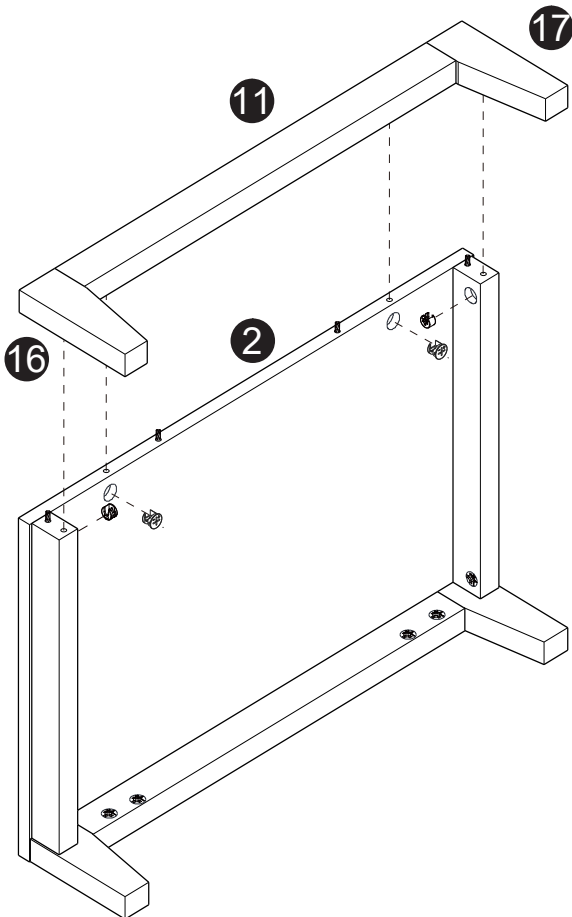
| | | |
|---|---|---|
| C |  | 4 |
|---|---|---|

15



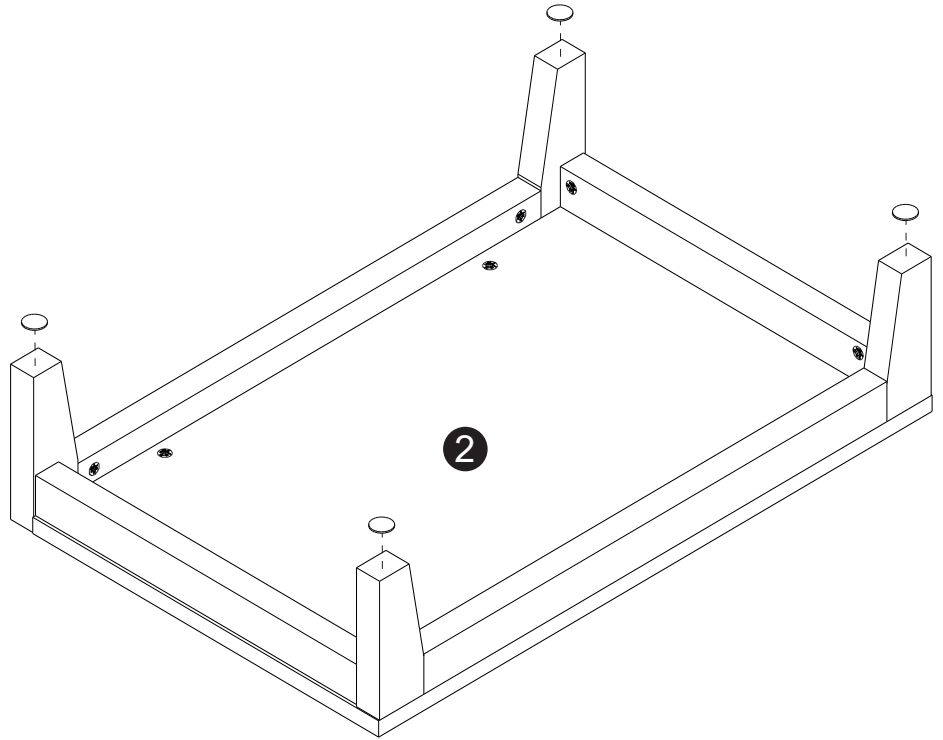
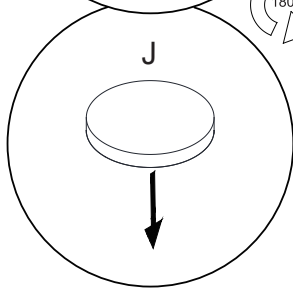
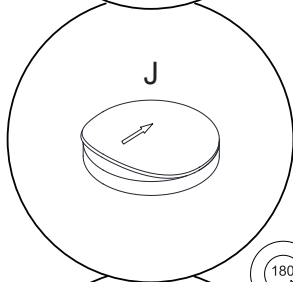
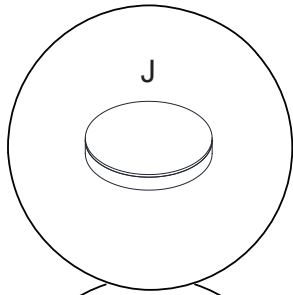
| | | |
|---|---|---|
| G |  | 4 |
|---|---|---|

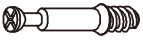
16



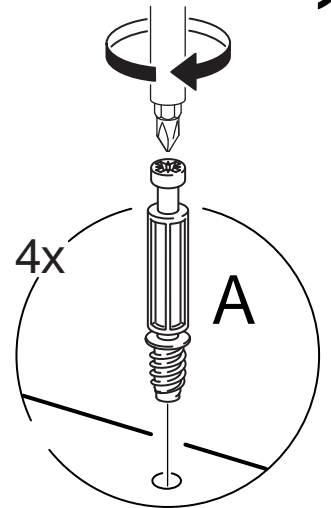
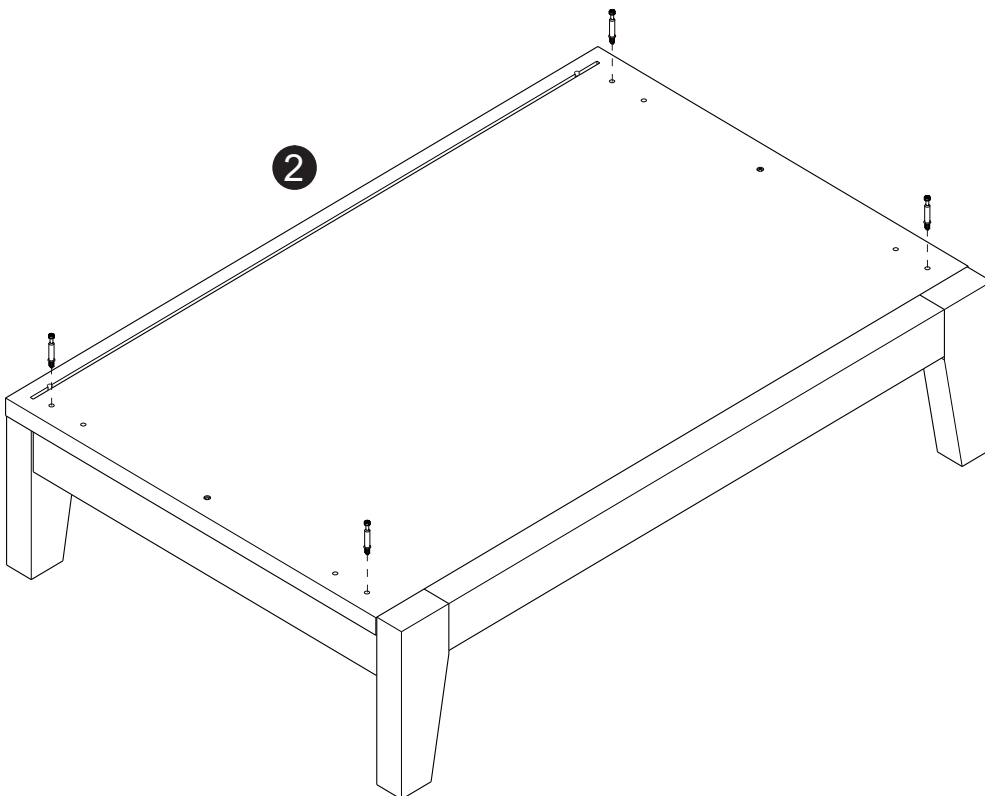
| | | |
|---|---|---|
| J |  | 4 |
|---|---|---|


17



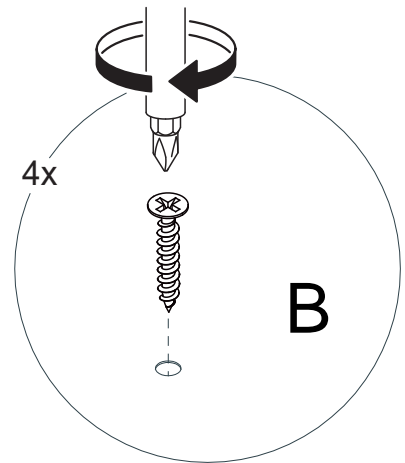
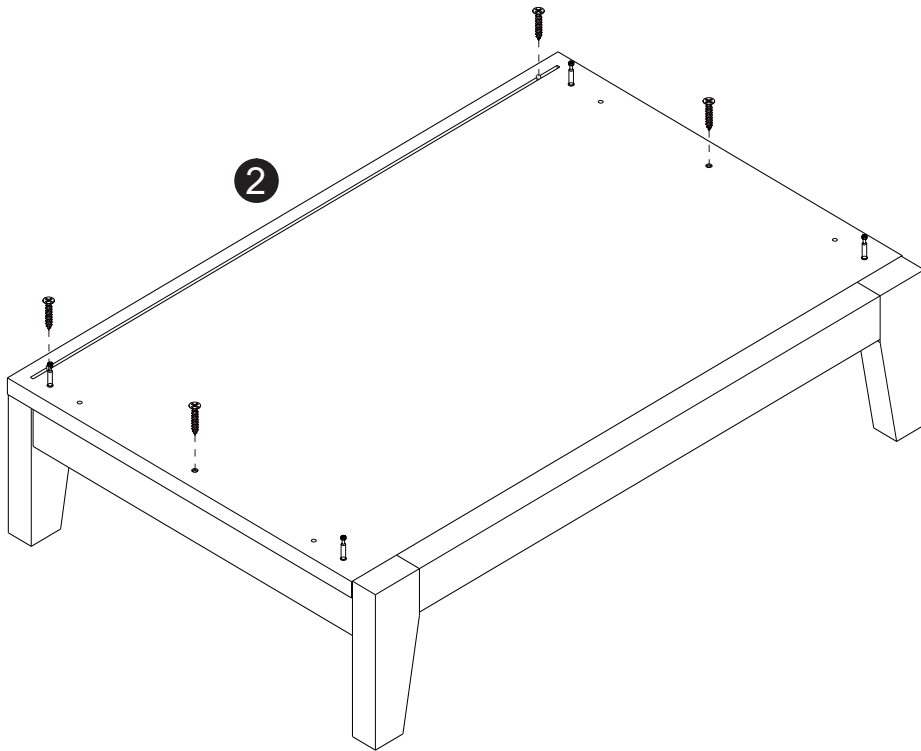
| | | |
|---|---|---|
| A |  | 4 |
|---|---|---|


18



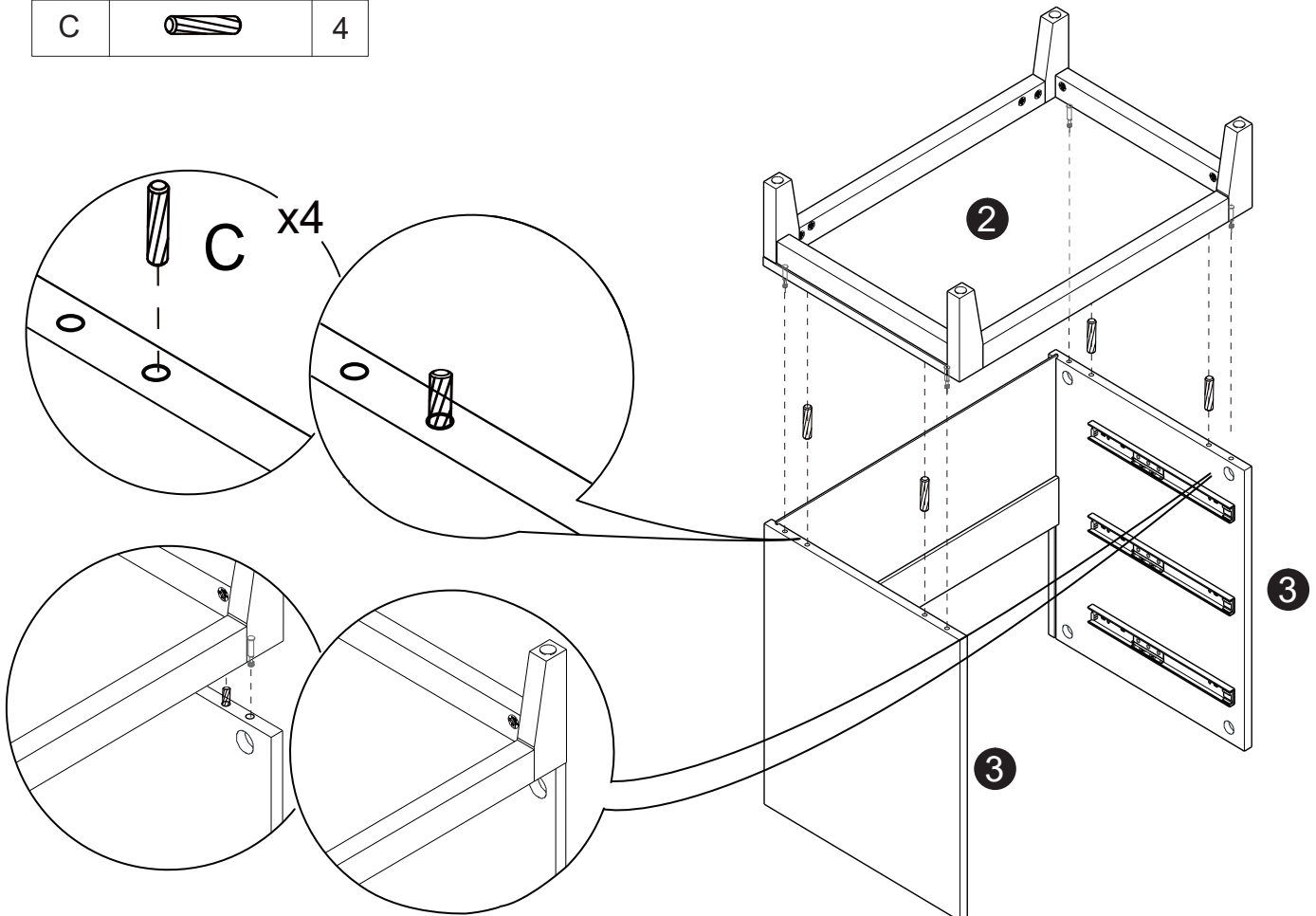
| | | |
|---|---|---|
| B |  | 4 |
|---|---|---|


19



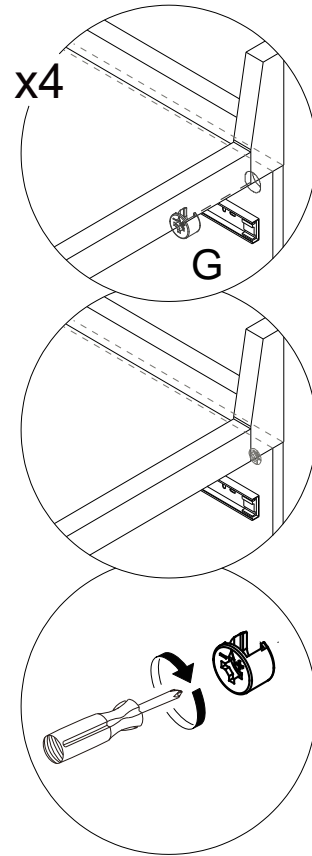
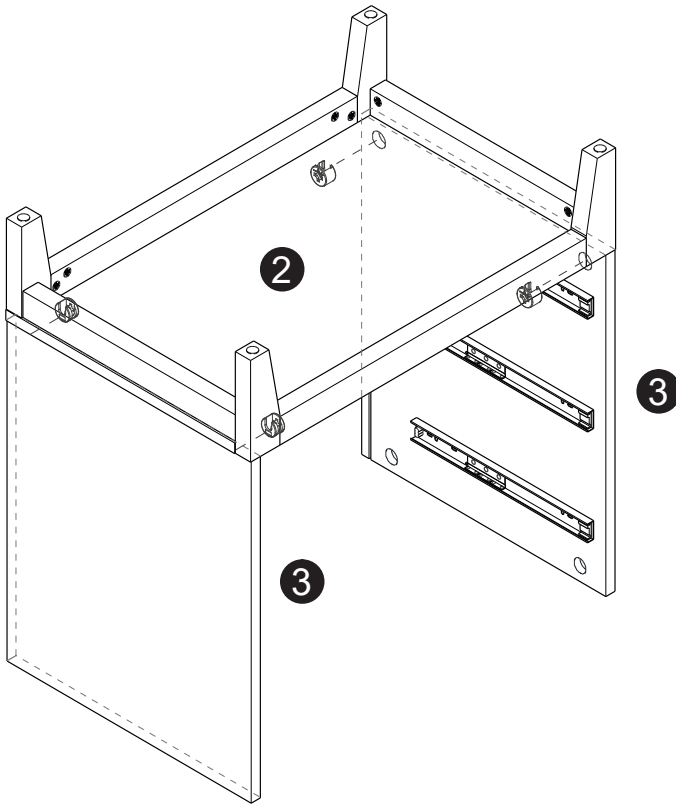
| | | |
|---|---|---|
| C |  | 4 |
|---|---|---|

20

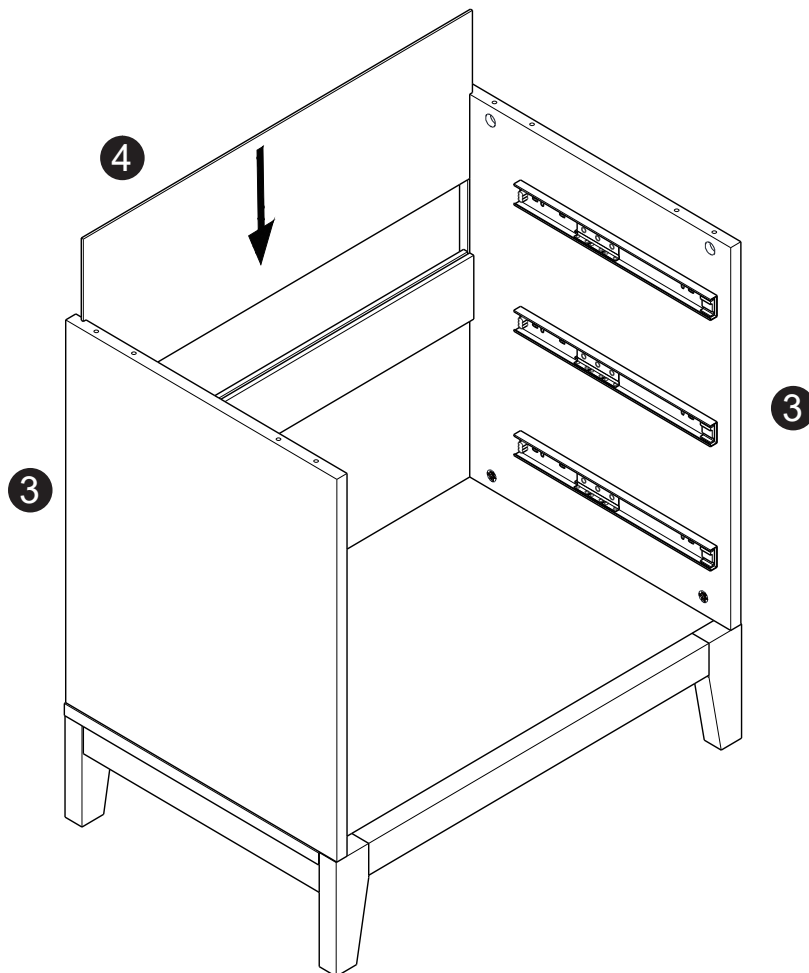


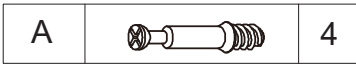
| | | |
|---|---|---|
| G |  | 4 |
|---|---|---|

21

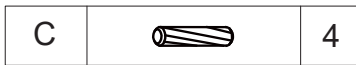
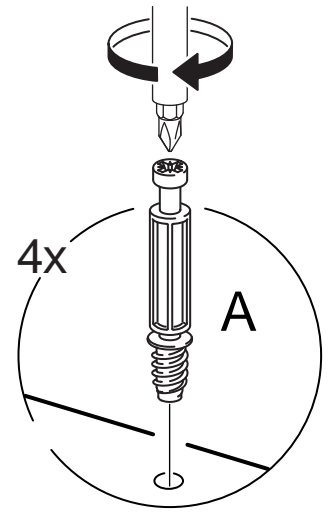
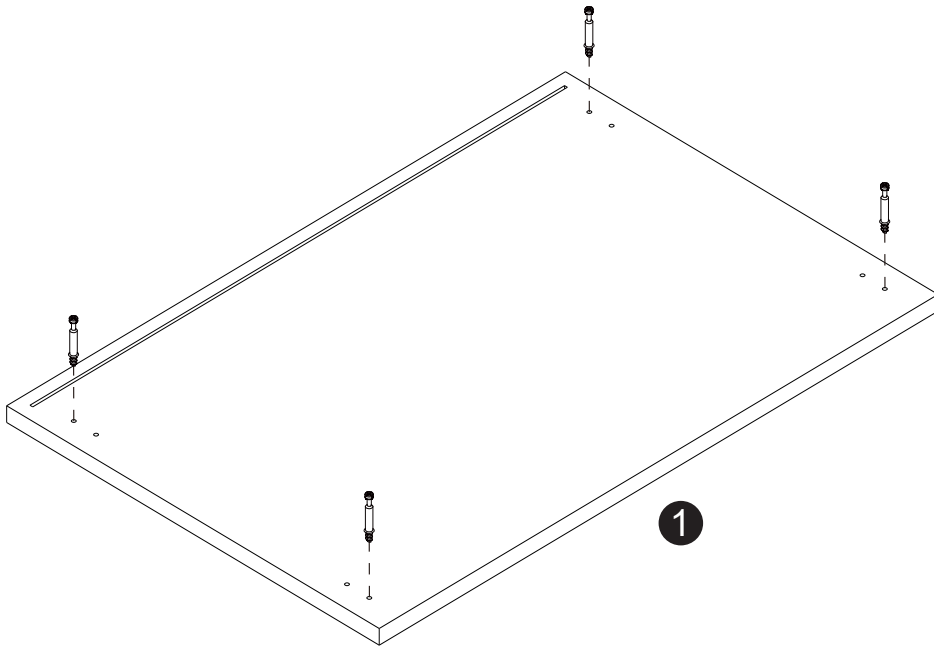


22

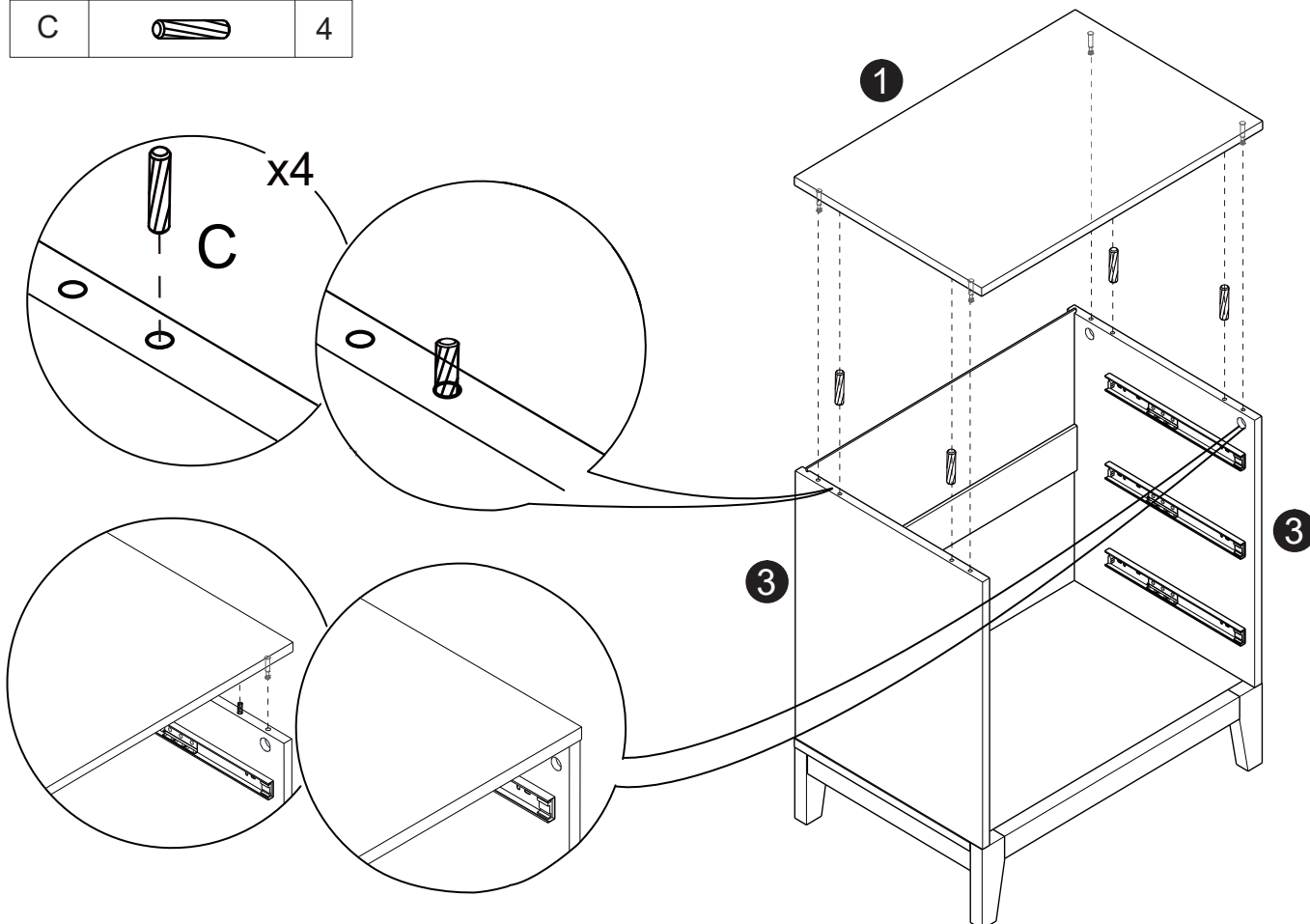




23

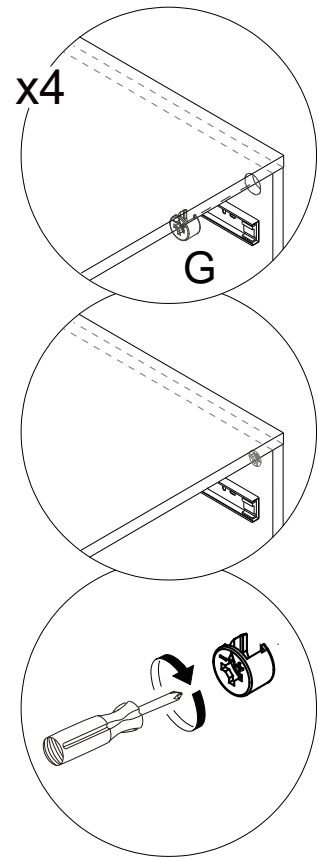
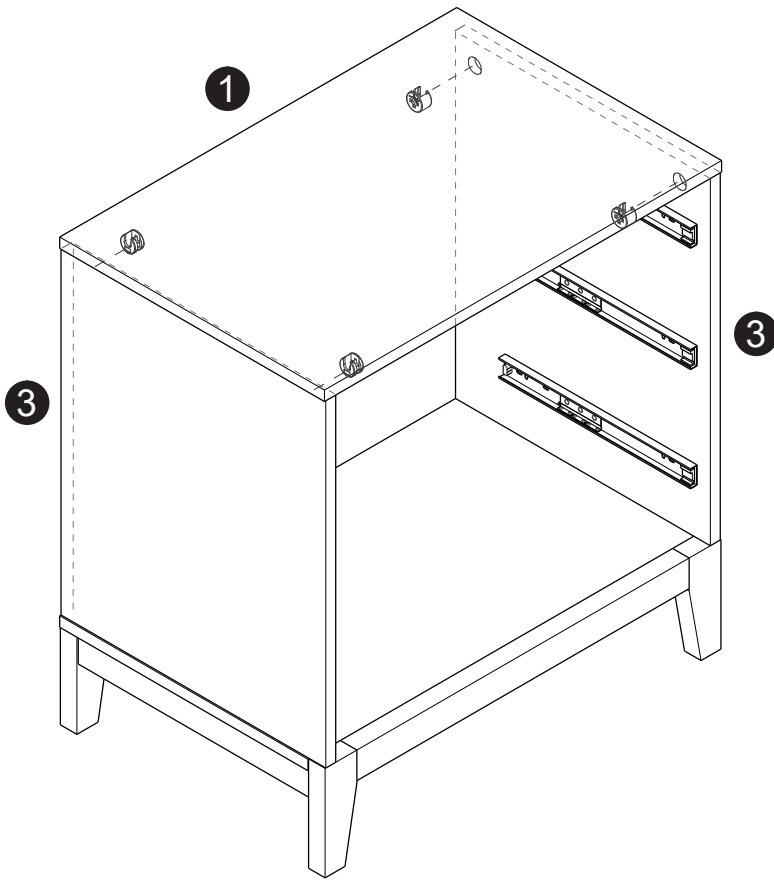


24



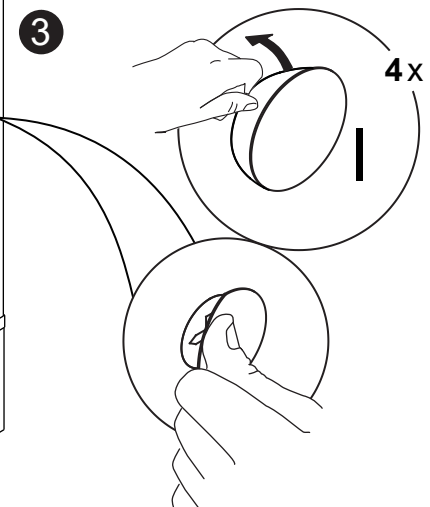
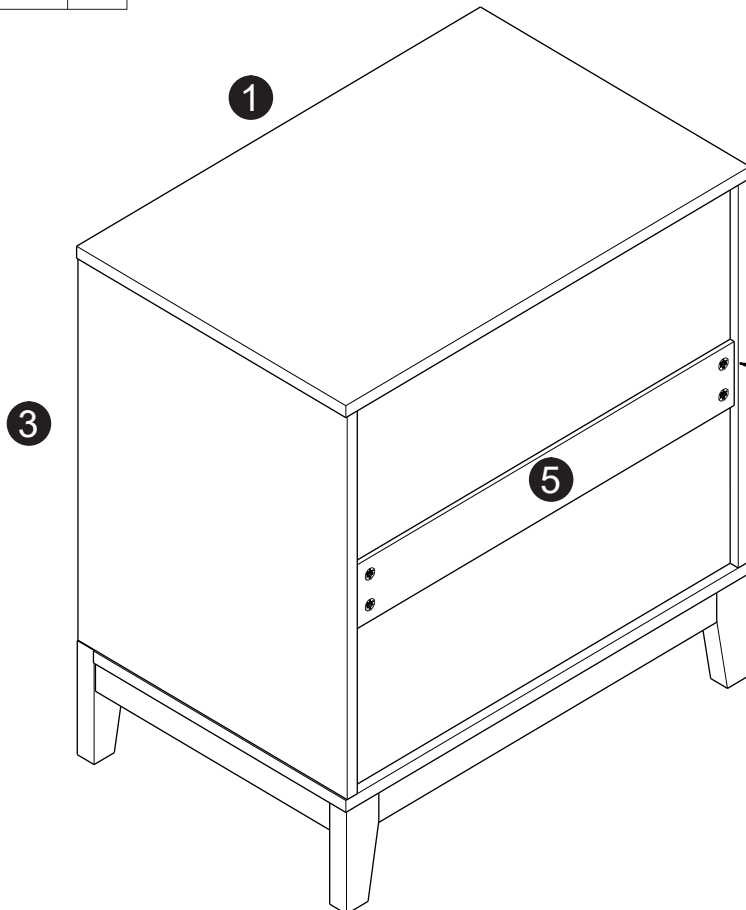
| | | |
|---|---|---|
| G |  | 4 |
|---|---|---|



25



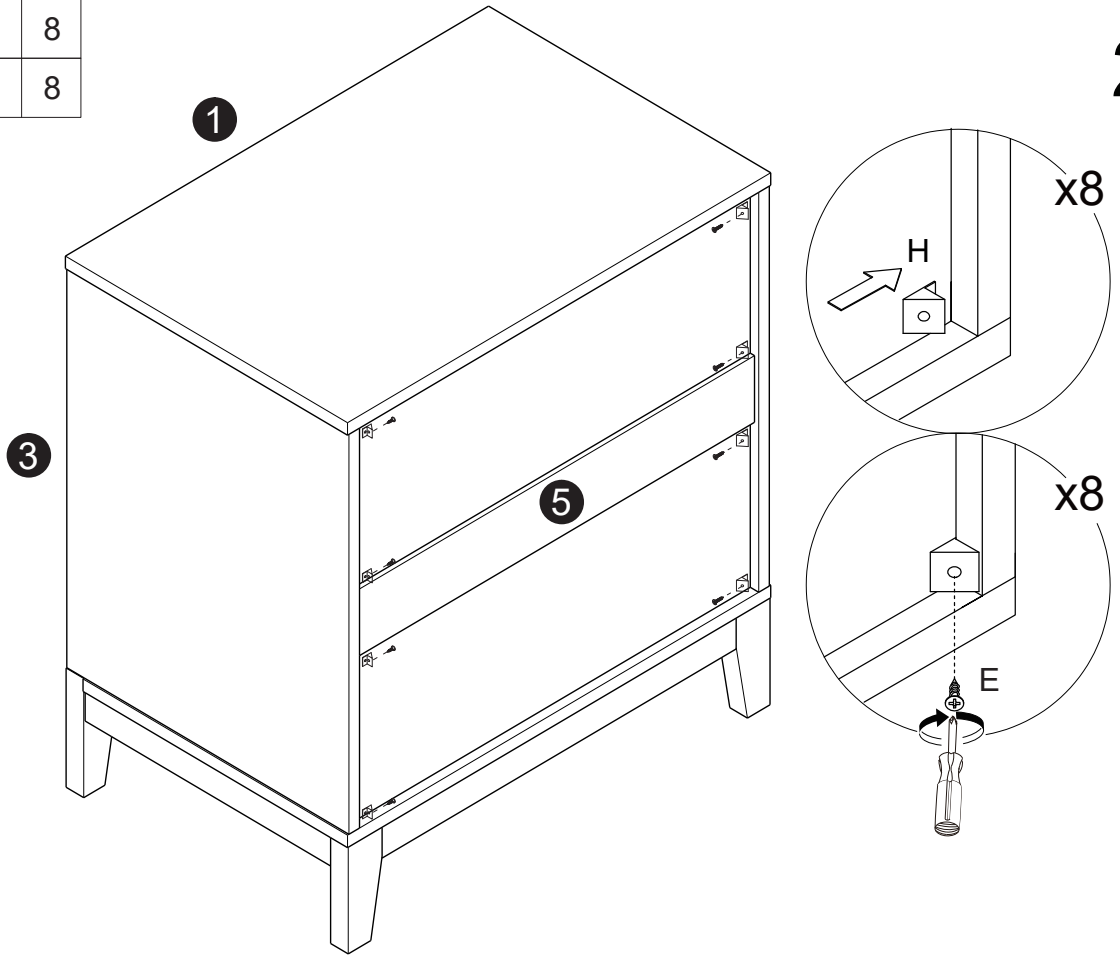
| | | |
|---|---|---|
| I |  | 4 |
|---|---|---|

26



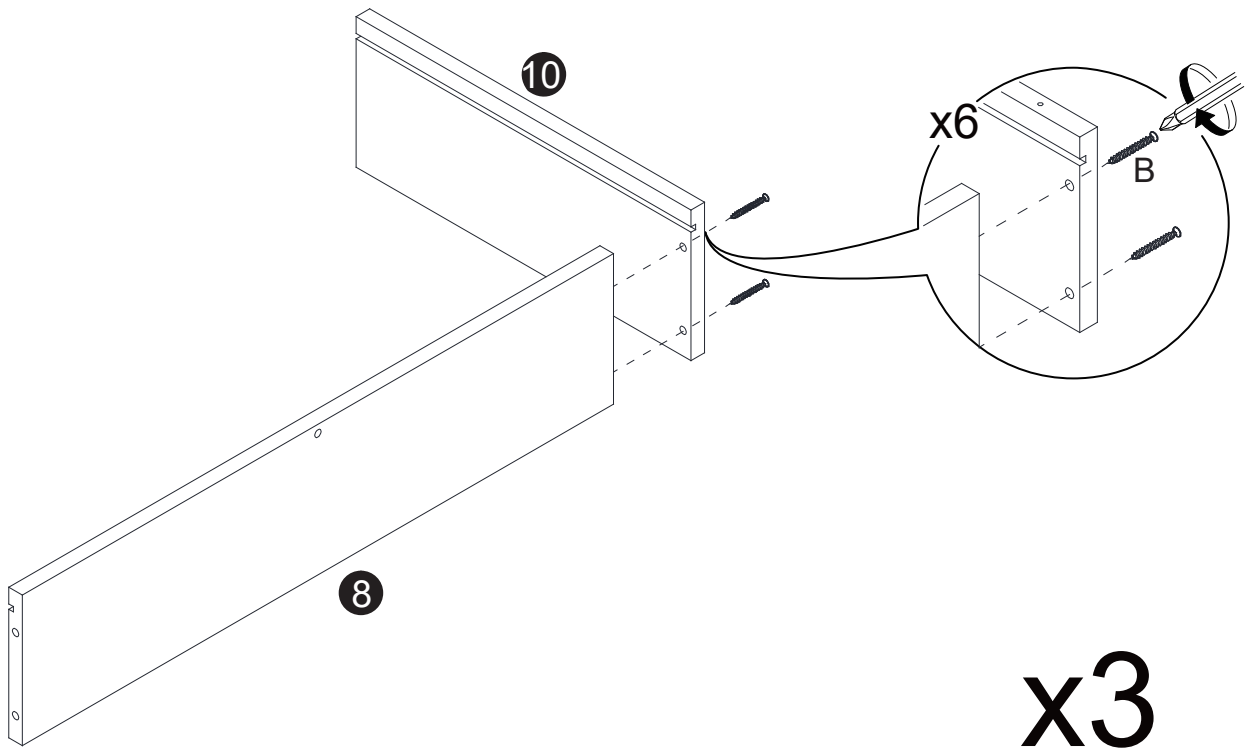
| | | |
|---|---|---|
| H |  | 8 |
| E |  | 8 |

27



| | | |
|---|---|---|
| B |  | 6 |
|---|---|---|

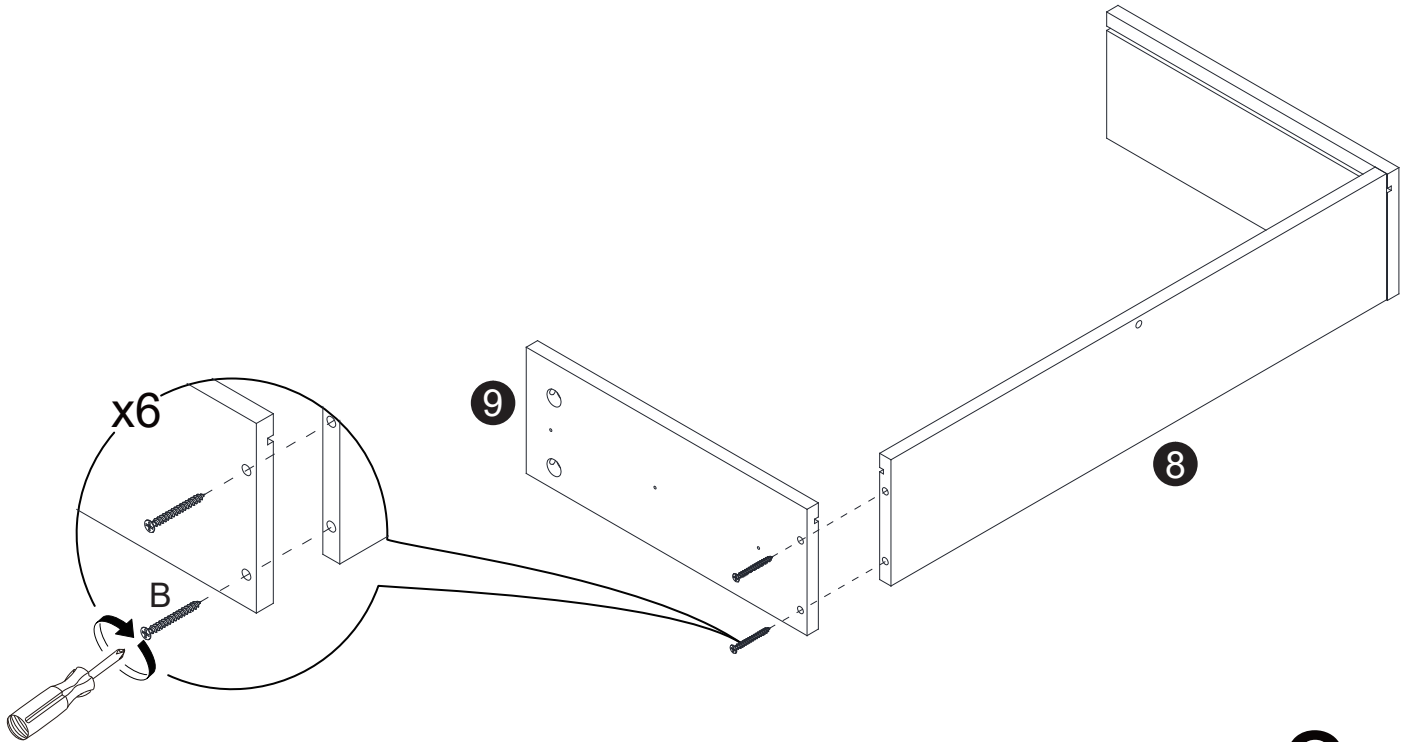
28



x3

| | | |
|---|---|---|
| B |  | 6 |
|---|---|---|

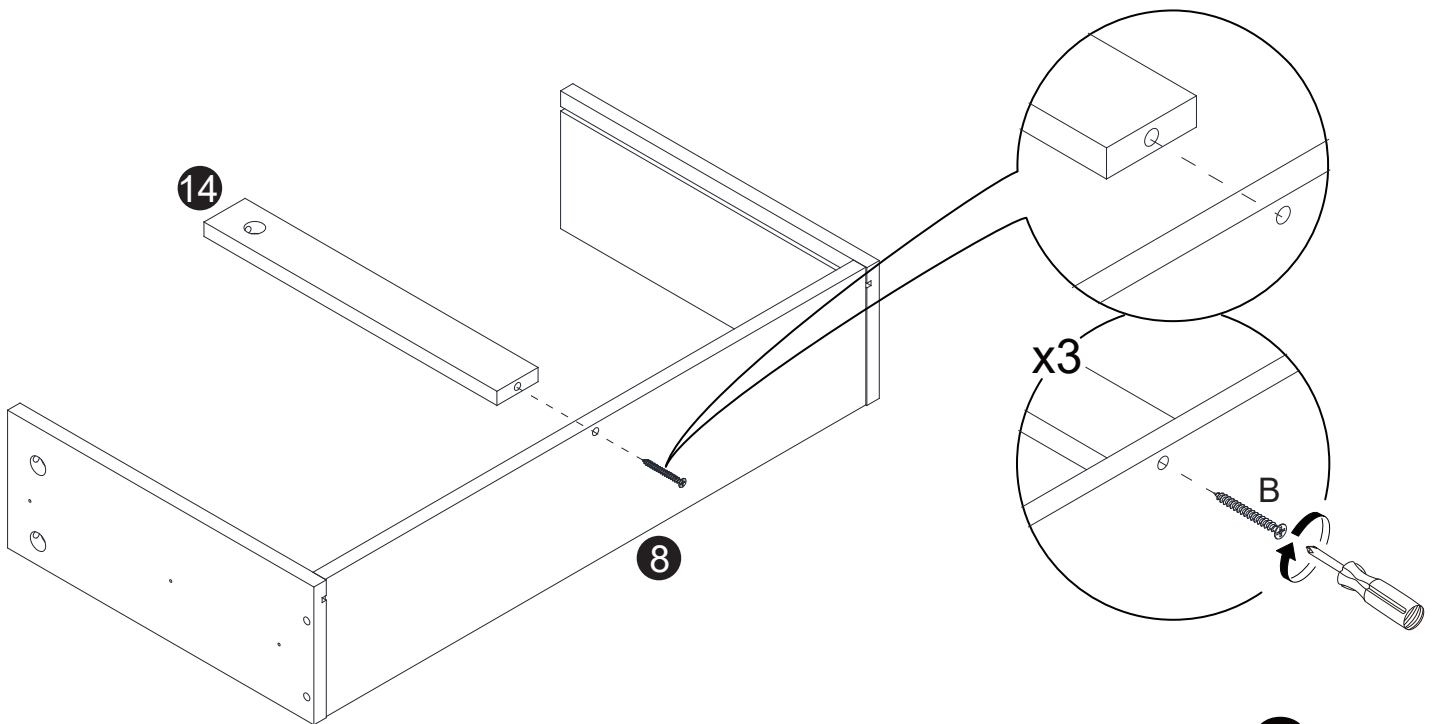
29



x3

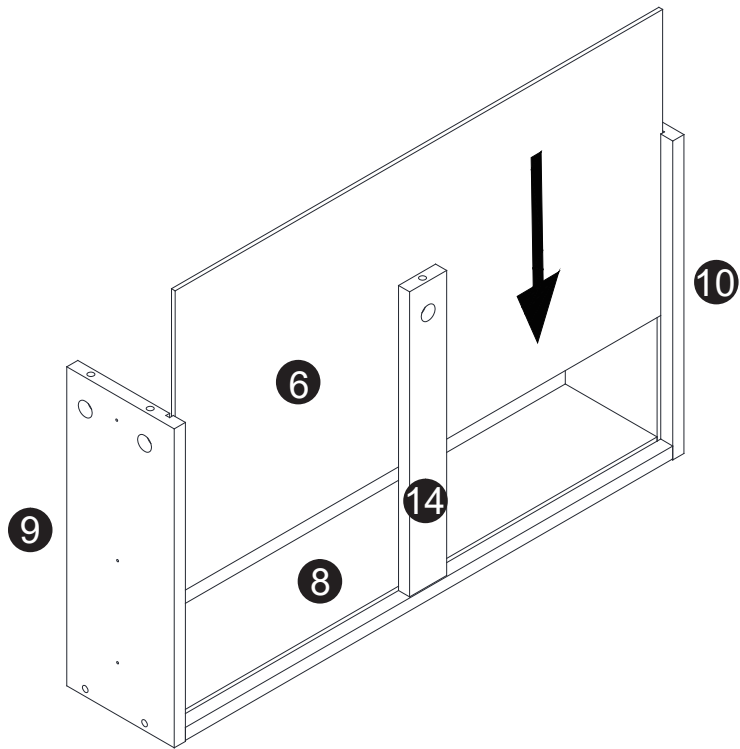
| | | |
|---|---|---|
| B |  | 3 |
|---|---|---|

30

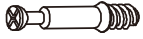


x3

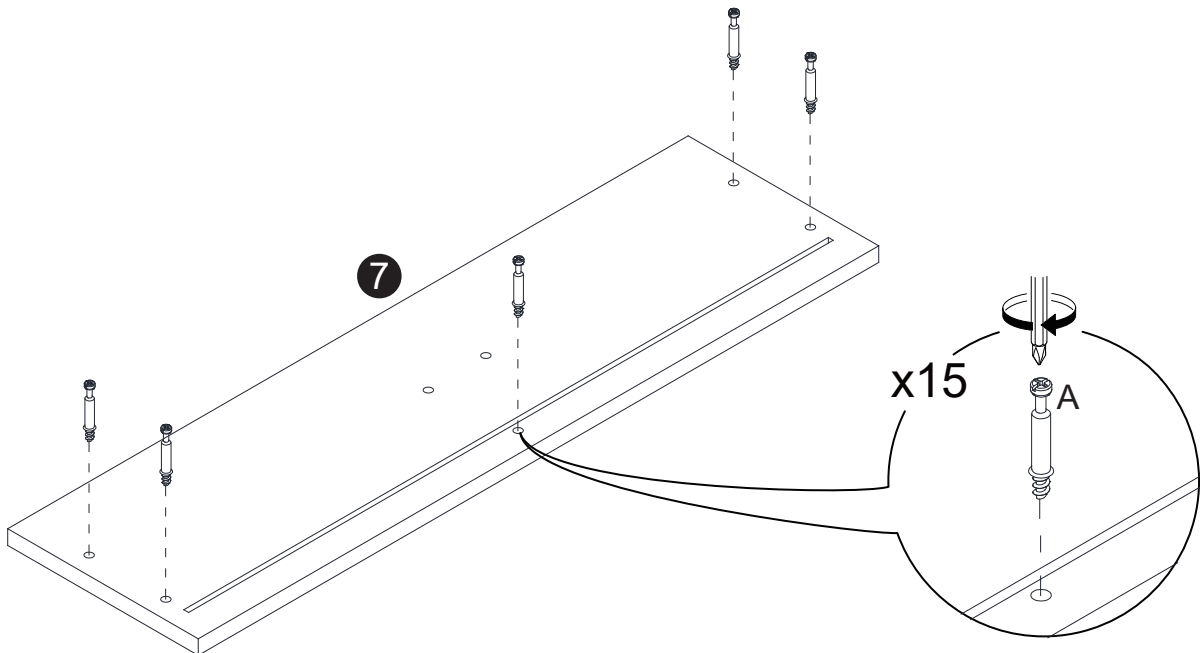
31



x3

| | | |
|---|---|----|
| A |  | 15 |
|---|---|----|

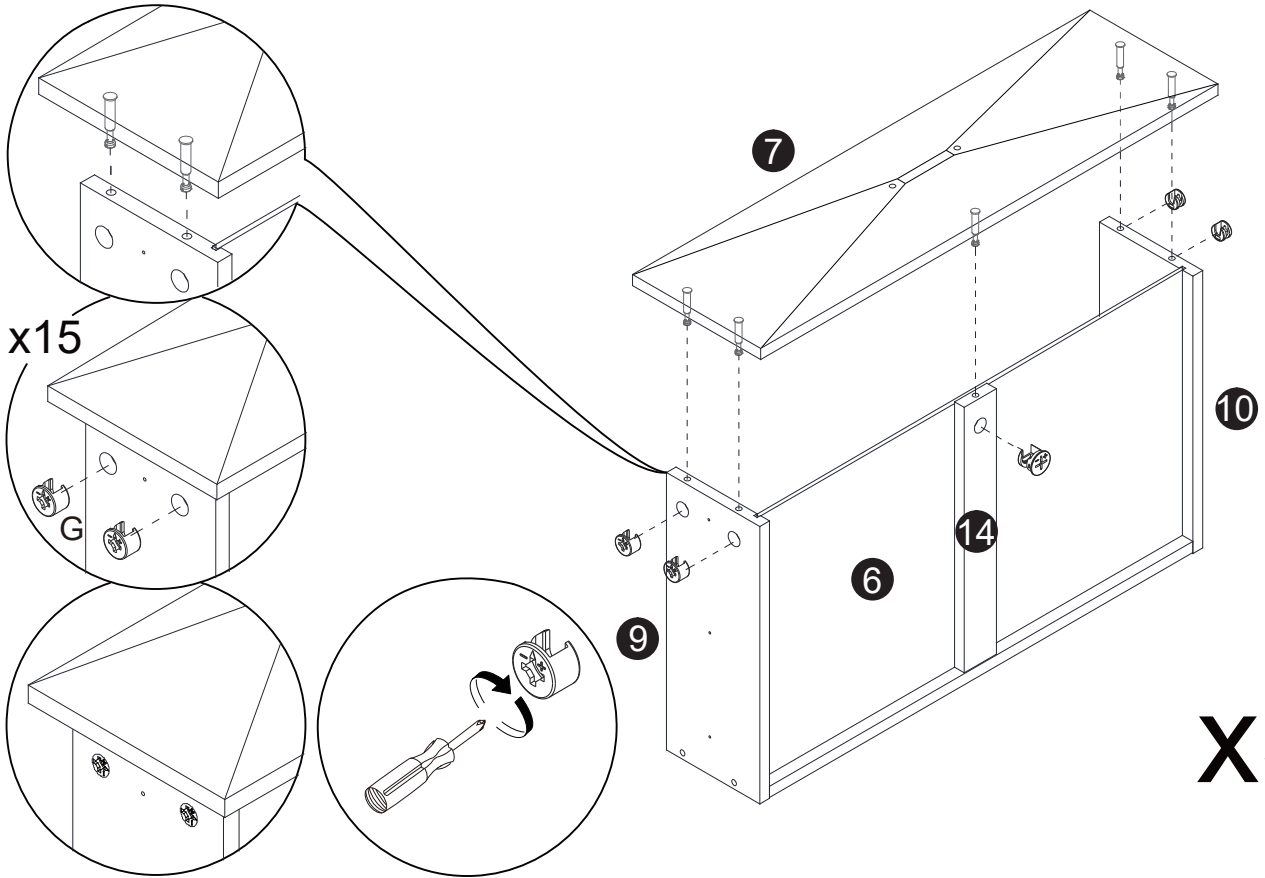
32





x3

| | | |
|---|---|----|
| G |  | 15 |
|---|---|----|

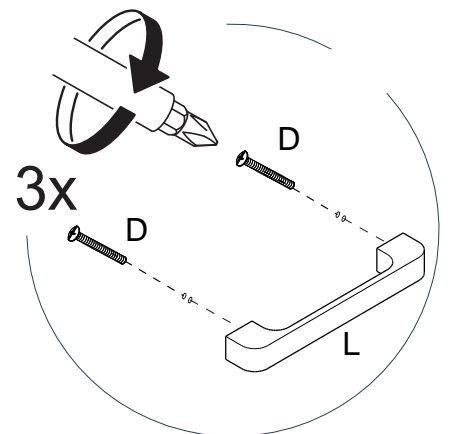
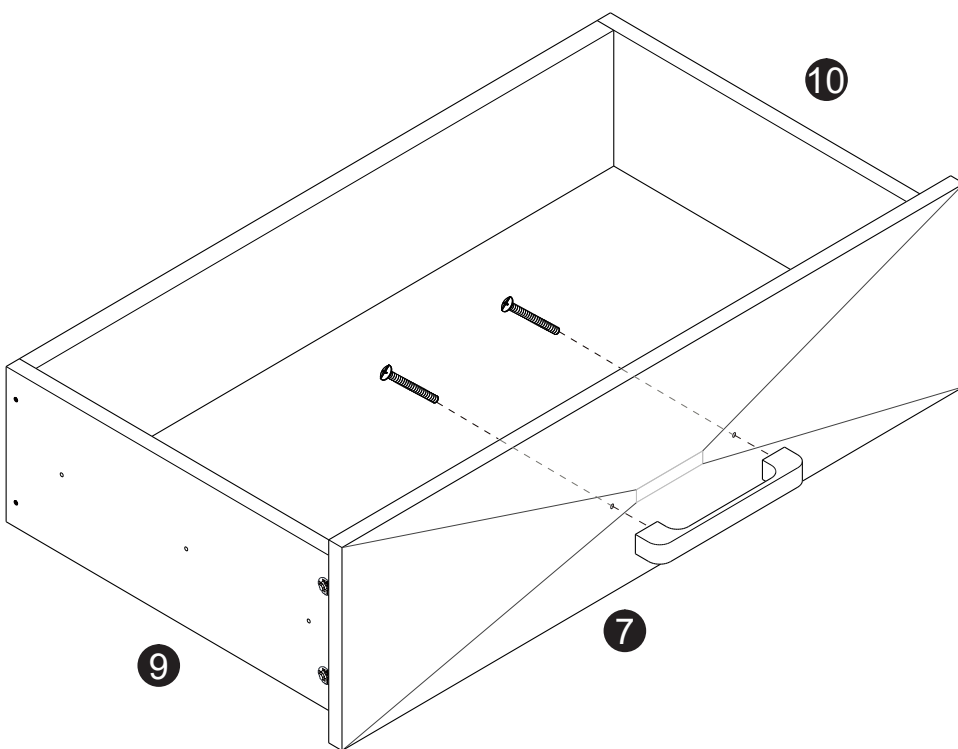
33



x3

| | | |
|---|---|---|
| D |  | 6 |
| K |  | 3 |

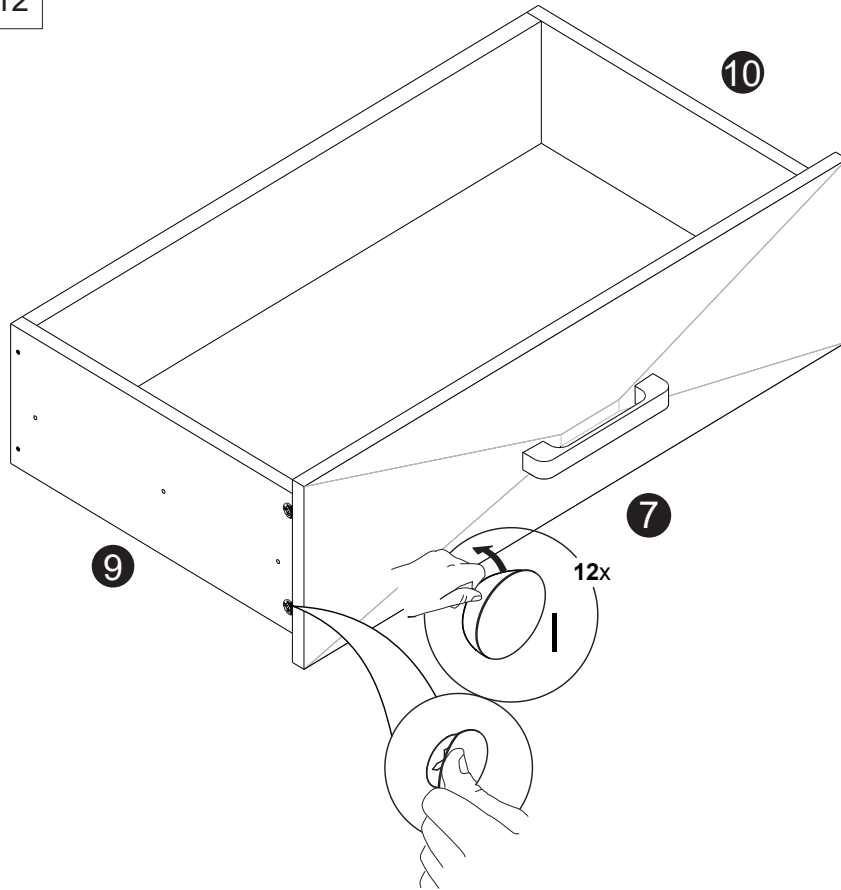
34





x3

| | | |
|---|---|----|
| I |  | 12 |
|---|---|----|

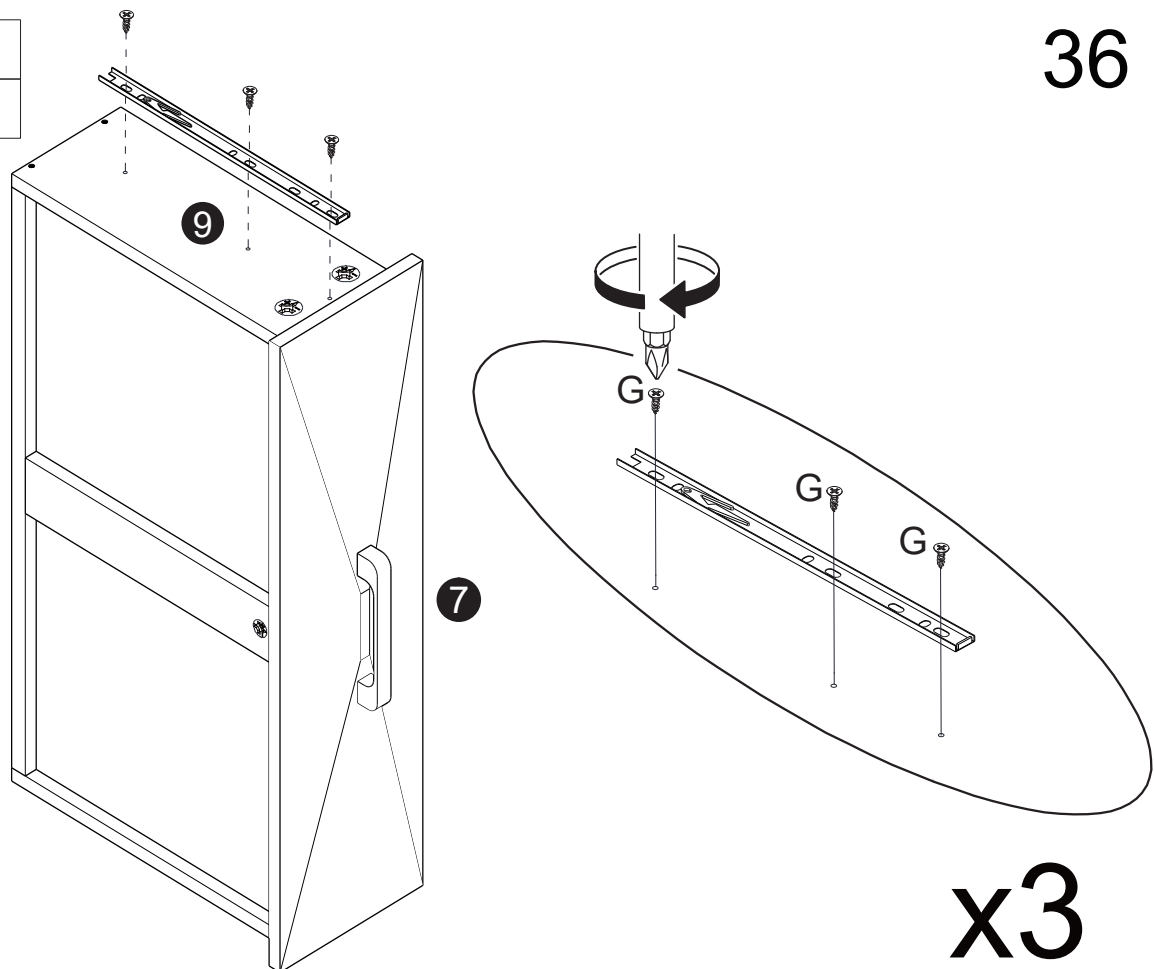
35





x3

| | | |
|----|---|---|
| F |  | 9 |
| L2 |  | 3 |

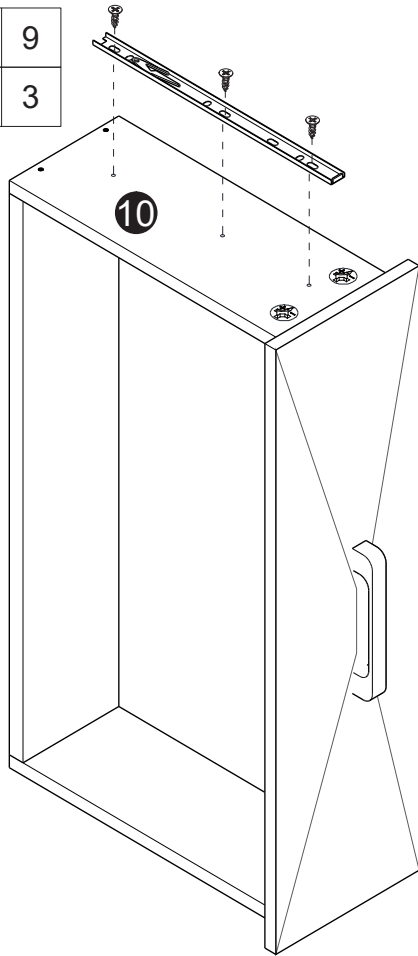
36



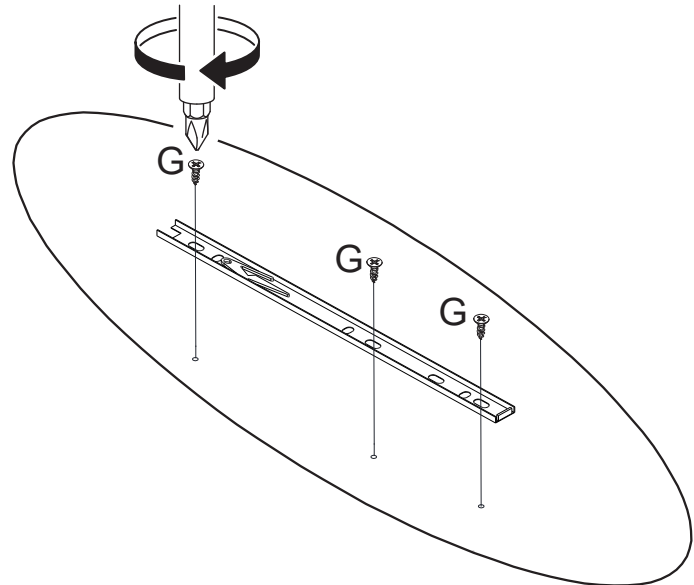
x3

| | | |
|----|---|---|
| F |  | 9 |
| L2 |  | 3 |

37

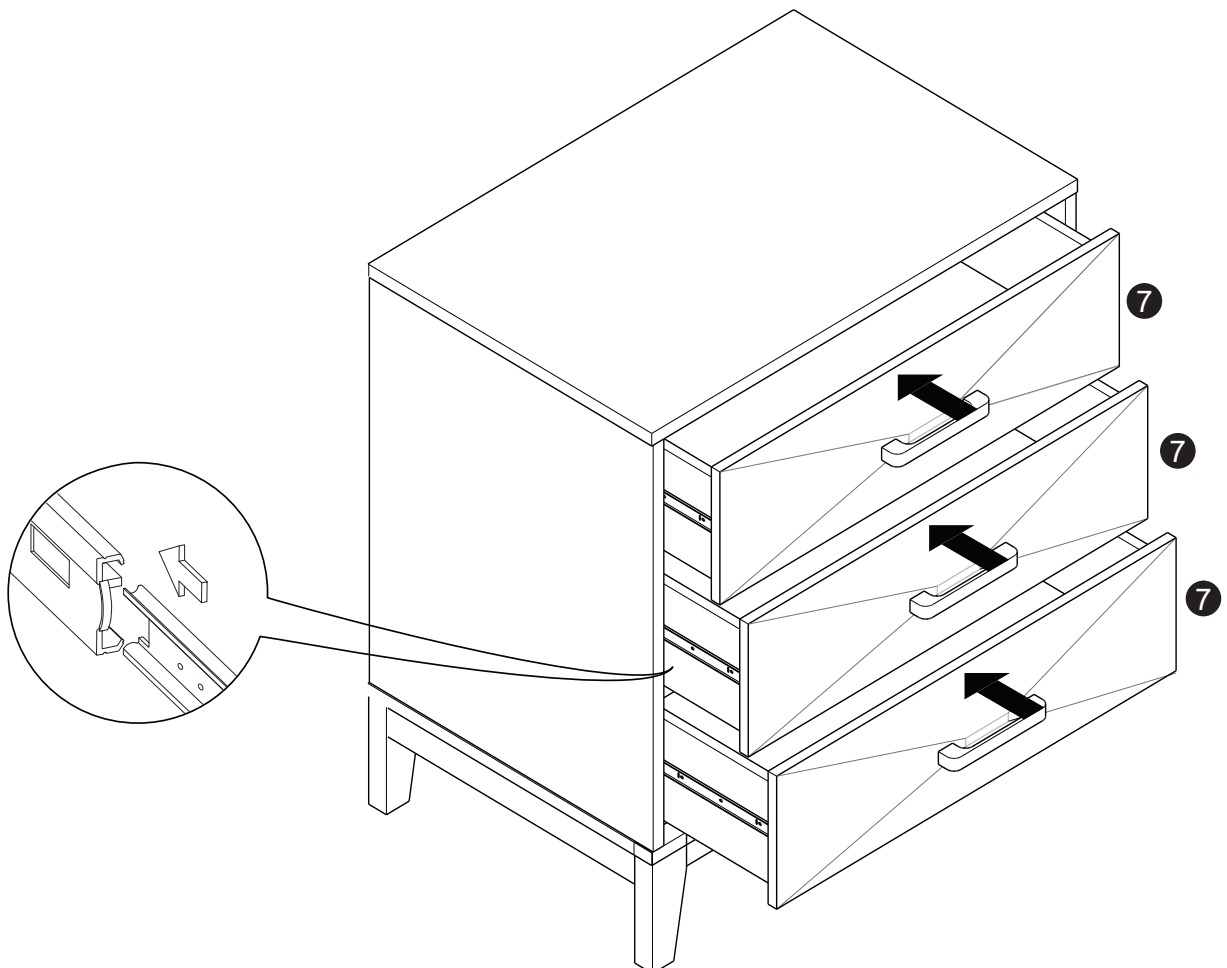


7



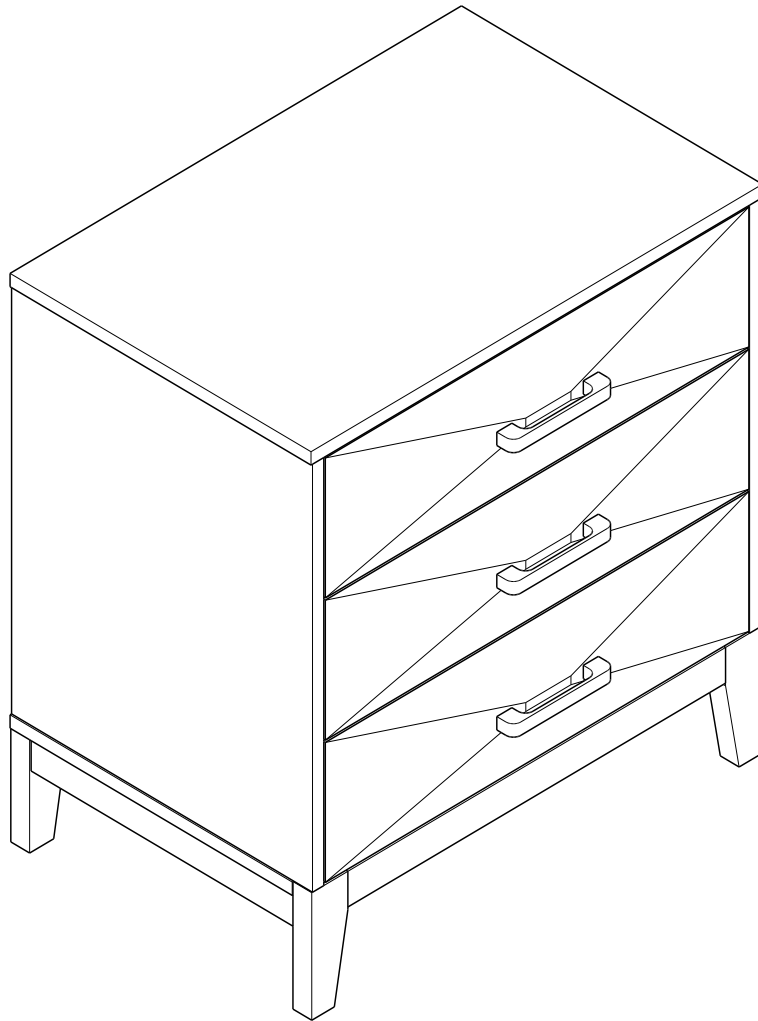
x3

38



CONGRATULATIONS!

You have finished assembling the latest addition to your living space. We hope that the installation was smooth and enjoy using what is in front of you. May our product bring you much functional use in the days to come!



SAFETY FIRST, STYLE ALWAYS

Thank you for choosing our products. To ensure safety and performance, please follow these instructions:

- **Assembly:** Carefully follow instructions and tighten all parts.
- **Intended Use:** Use furniture as intended and adhere to weight limits.
- **Handling:** Move gently and check for loose parts regularly.
- **Tipping:** Tall or unstable furniture may tip over if not secured, especially in homes with children or pets.
- **Overloading:** Exceeding weight limits can lead to collapse or damage.
- **Sharp Edges:** Handle furniture with sharp corners carefully, especially around children.

MAINTAINENCE & CLEANING TIPS

- **Regular Cleaning:** Use a soft, dry cloth to wipe the surface of the bed frame regularly. Avoid harsh chemical cleaners.
- **Protect from Sunlight:** Keep the bed frame out of direct sunlight to prevent damage to the material and finish.

DON'T WORRY, WE'VE GOT YOUR BACK.

We don't just sell furniture — we're here for the long haul! If you run into any issues due to manufacturing defects or material problems, we offer a 1-year warranty. That means we'll replace any faulty parts for free — no hassle.

Email: ServiceTeam86@outlook.com