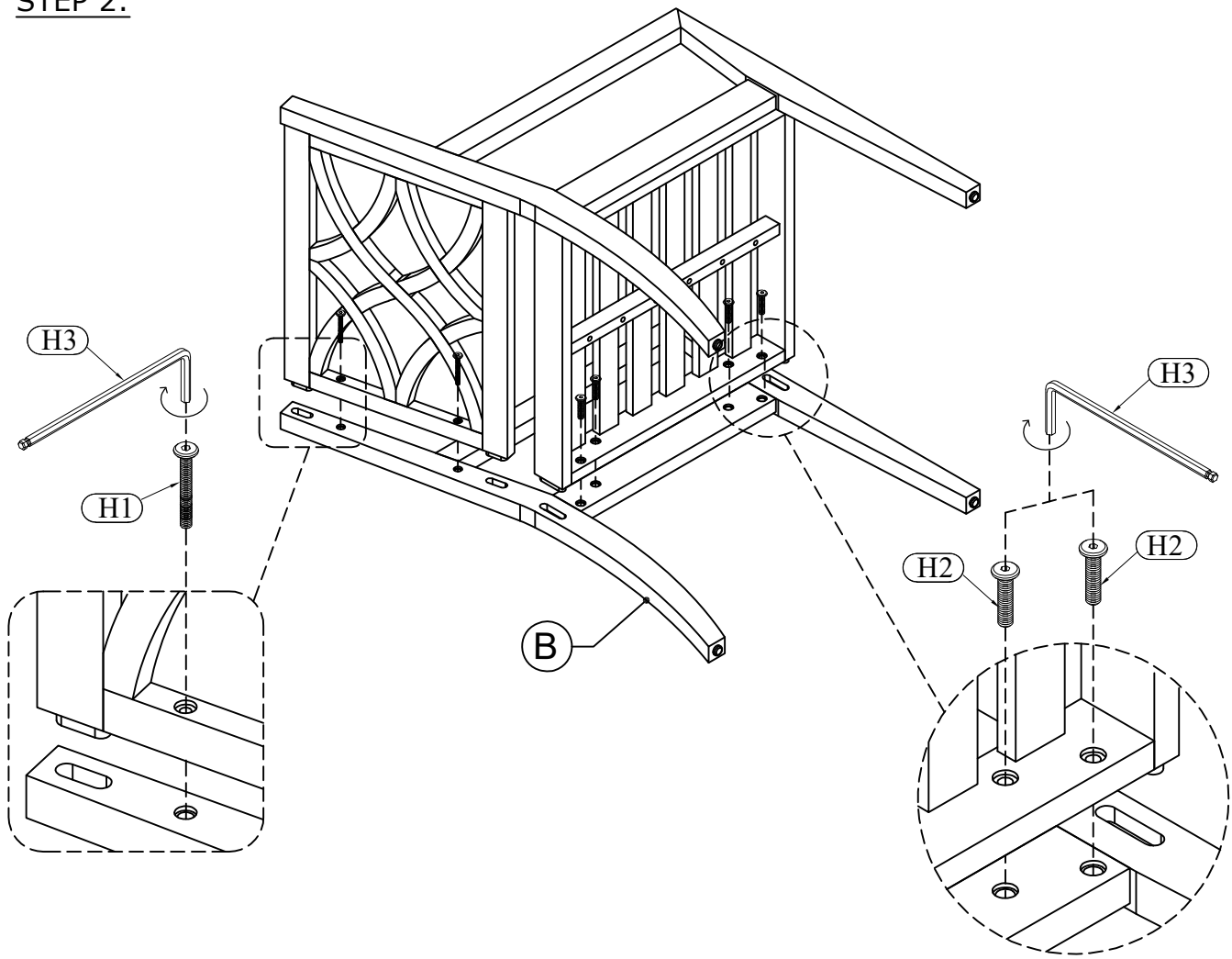
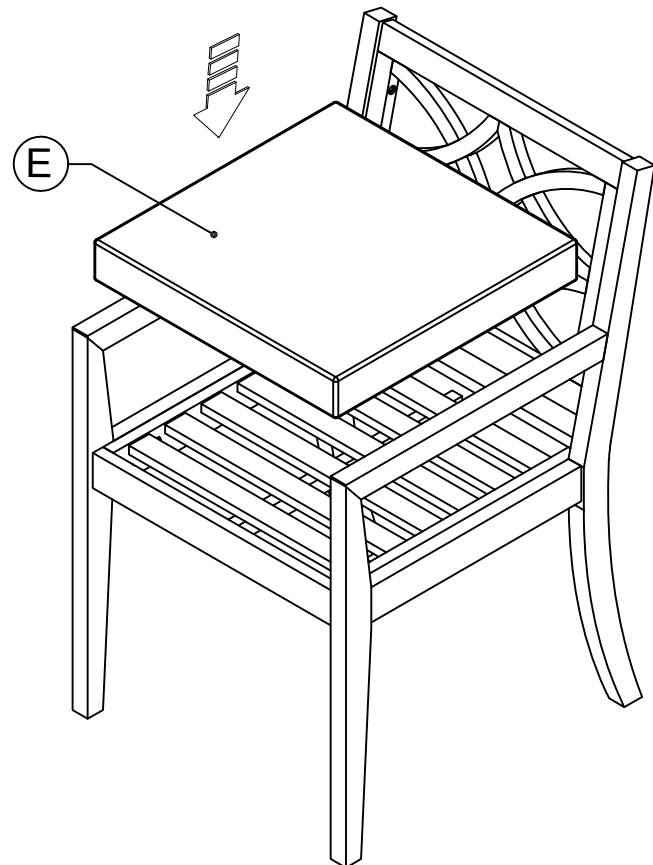


STEP 2:



STEP 3:



Be sure to tighten all bolts before use!