

Products / Dining Tables / Quartz Dining Table ø79

# Quartz dining table ø79

by Ramón Esteve

The Quartz chairs and table collection, designed by Ramón Esteve for Vondom, is characterized by its **orthogonal geometry and triangular shaped profiles**. Due to the line of one of its vertexes this piece appears extremely light.



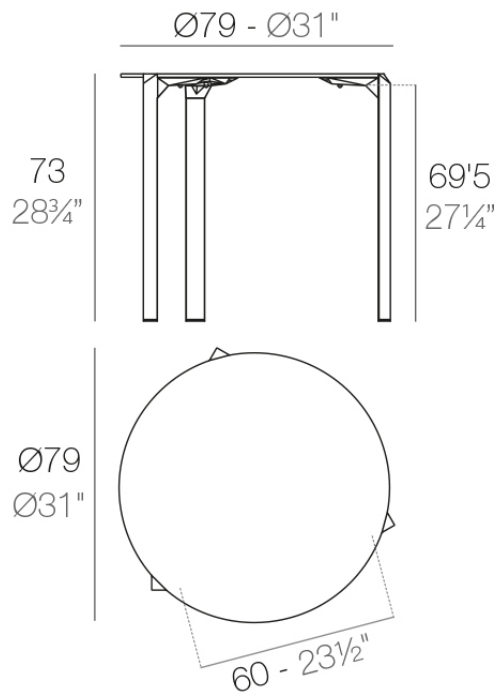
# Info

---

## Description

Made of gas air moulding injected polyamide with fiber glass for legs and HPL table tops. Stackable. Available in 3 colors. Item suitable for indoor and outdoor use.

Weight: 8.31 Kg



QUARTZ Mesa Ø79  
QUARTZ Table Ø31"

# Finishes

---

## finishes

---

BASIC PP  
Ref. 54200



white



black



ecru

Available in various colors

