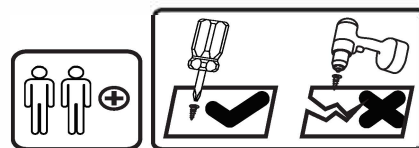


ASSEMBLY INSTRUCTIONS



Tools Recommended

THIS INSTRUCTIONS CONTAINS IMPORTANT SAFETY INFORMATION.
PLEASE READ BEFORE ASSEMBLY AND KEEP FOR FUTURE REFERENCE.

IMPORTANT NOTICE


- This product contains small components, please ensure that they are kept away from small children.
- THIS INSTRUCTIONS CONTAINS IMPORTANT SAFETY INFORMATION. PLEASE READ BEFORE ASSEMBLY AND KEEP FOR FUTURE REFERENCE.
- Read each step carefully. It is very important that each step of instruction is performed in the correct order. If these steps are not followed in sequence, assembly difficulties will occur.
- Make sure all parts are included. Most parts are labelled or stamped on the raw edge.
- Work in spacious area, preferably on a carpet, near the place the unit will be used.
- Do not use power tools to assemble your furniture. Power tools may strip or damage the parts.
- Move your new furniture carefully, with two people lift and carry the unit to it's new location.
- Never push, drag or pull your furniture (especially on carpet)

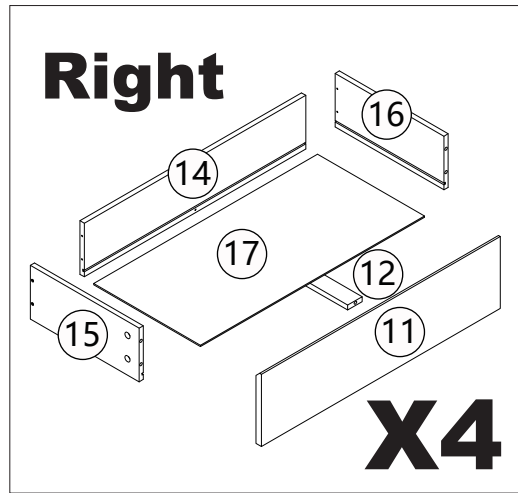
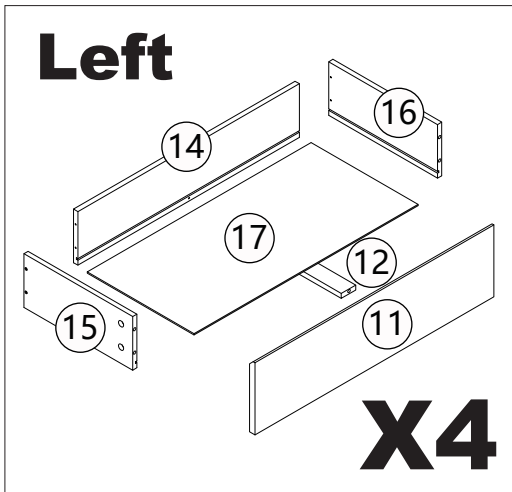
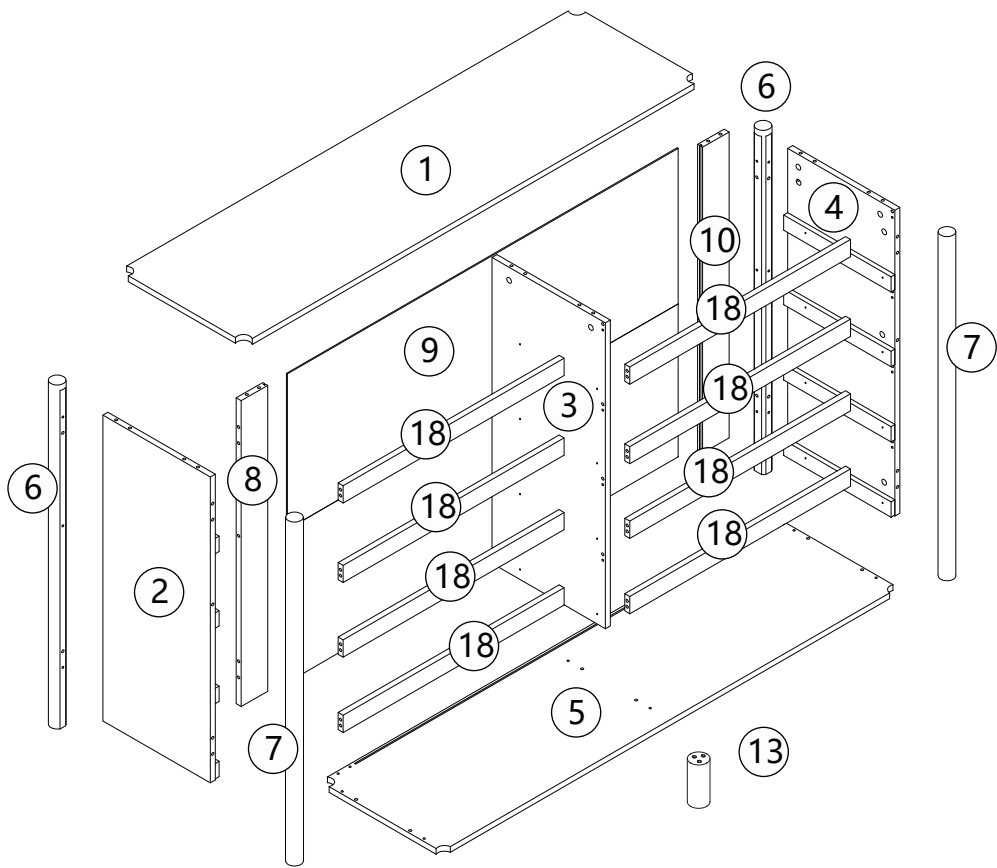


PLEASE DO NOT RETURN PRODUCT TO US IMMEDIATELY

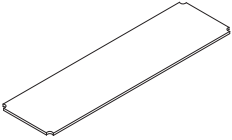
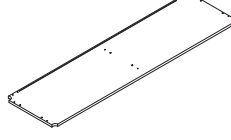
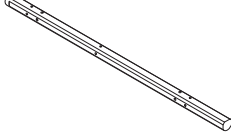
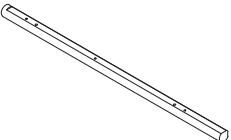
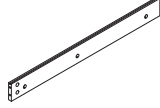
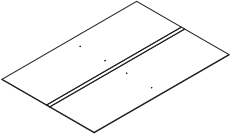
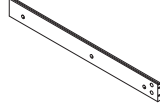
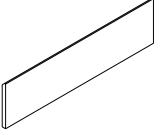

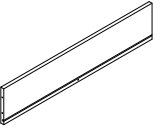
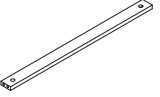

If a part is missing or damaged, email our customer service. We will gladly ship your replacement parts FREE of charge.

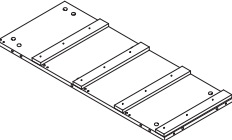
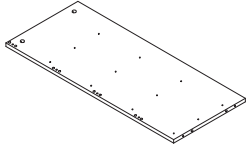
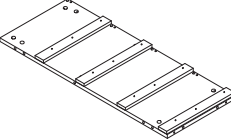
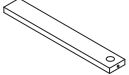
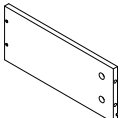
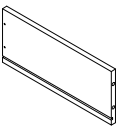
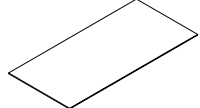
For Prompt, reliable service, please have your assemble instruction ready.

 WARNING	
	<p>Children have died from furniture tipover. To reduce the risk of furniture tipover:</p> <ul style="list-style-type: none">• ALWAYS install tipover restraint provided.• NEVER put a TV on this product.• NEVER allow children to stand, climb or hang on drawers, doors, or shelves.• NEVER open more than one drawer at a time.• Place heaviest items in the lowest drawers.
	

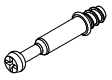


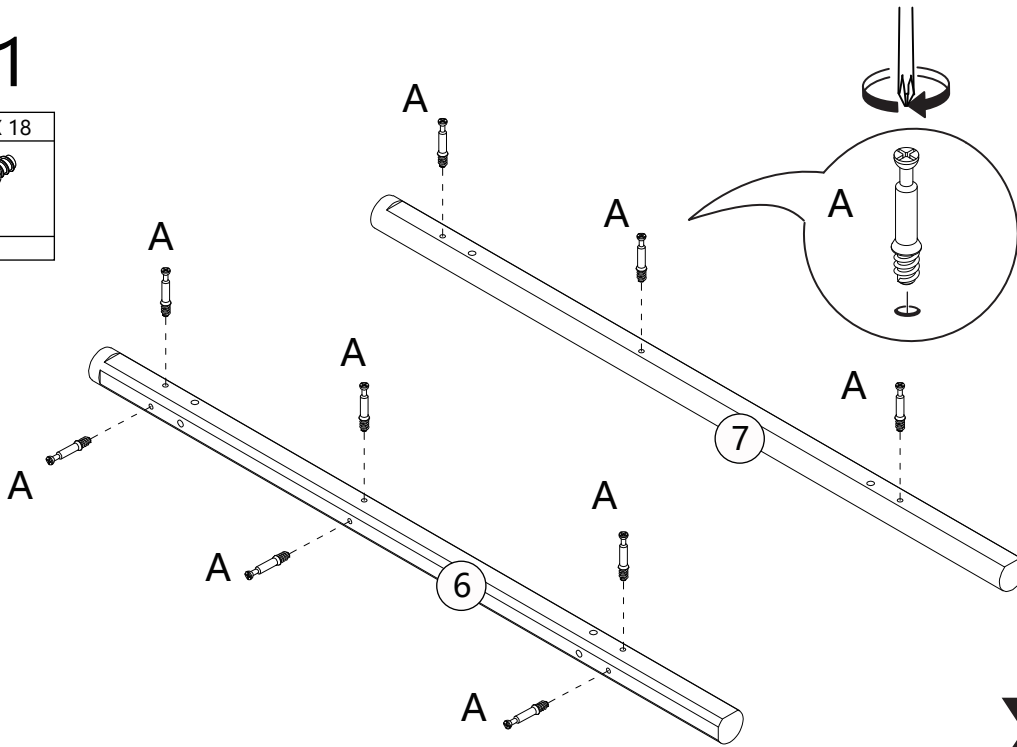
A	X 84	B	X 84	C	X 32	D	X 55	E	X 4	F	X 12	G	X 12
M6*35		Φ15*10		Φ6*30		M4*35		Φ25*3		M3*14			
H	X 4	I	X 96	J	X 4	K	X 1	L	X 6	M	X 1	N	X 2
M3*14		M3*12		Φ6*50				M4*12					
CL	X 8	CR	X 8	DL	X 8	DR	X 8						

1	1PC	5	1PC	6	2PCS	7	2PCS	8	1PC
									
9	1PC	10	1PC	11	8PCS	13	1PC	14	8PCS
									
18	8PCS	Hardware:							
									

2	1PC	3	1PC	4	1PC	12	8PCS	15	8PCS
									
16	8PCS	17	8PCS						
									




STEP 1

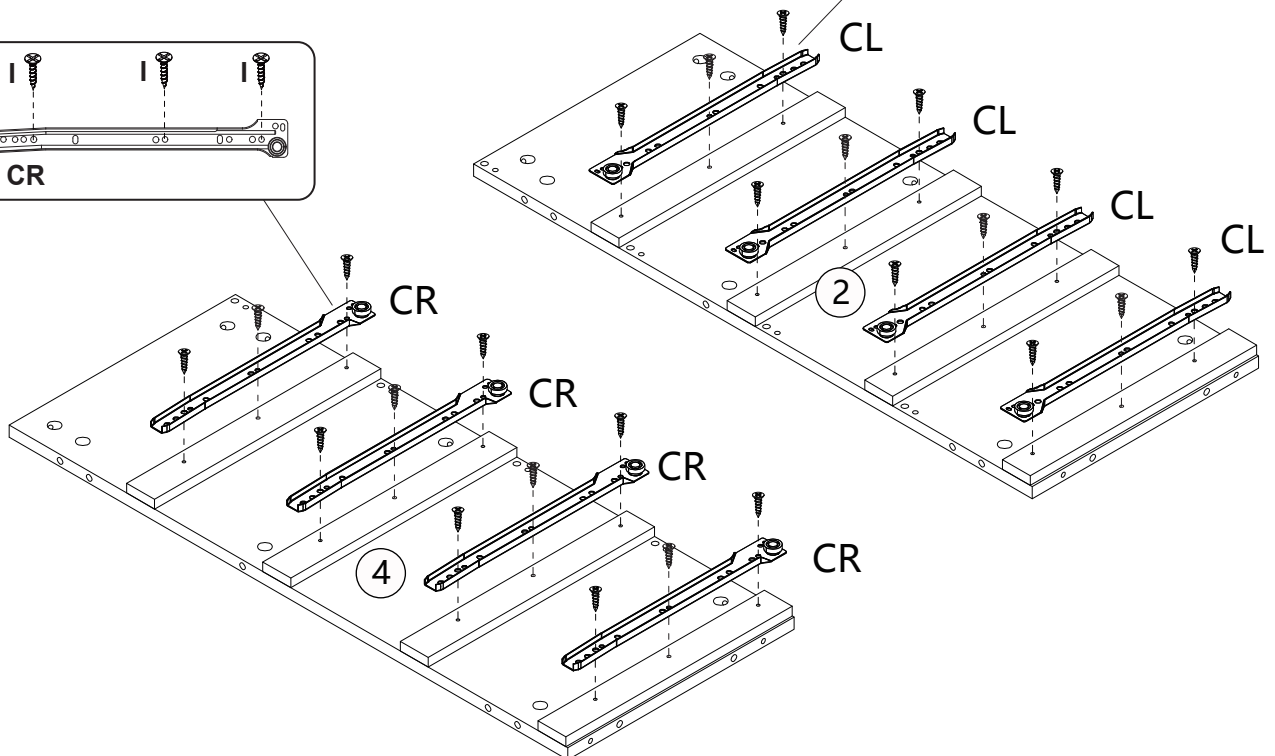
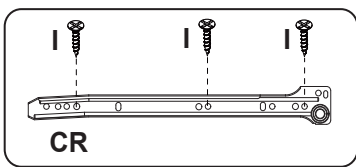
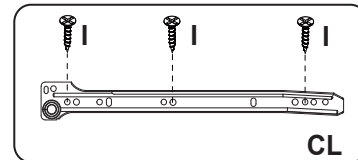
A	X 18
	
M6*35	



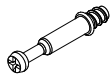
X2

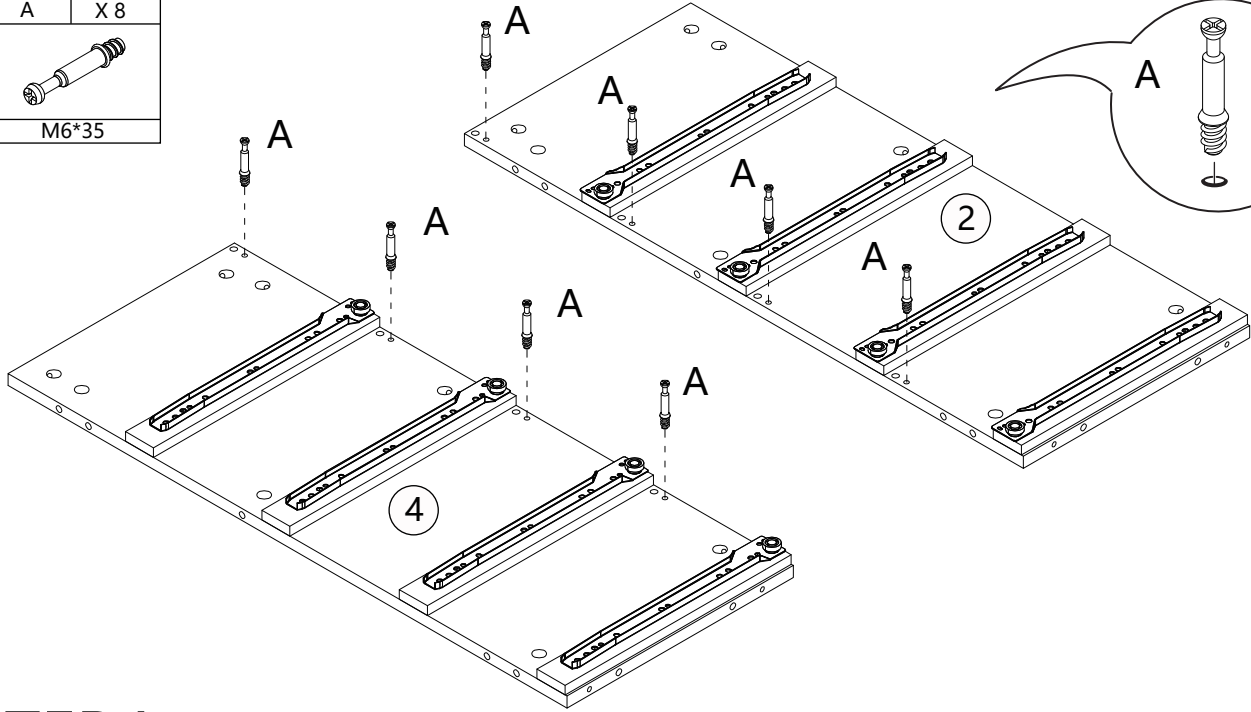
STEP 2

I	X 24	CL	X 4	CR	X 4
					
M3*12					





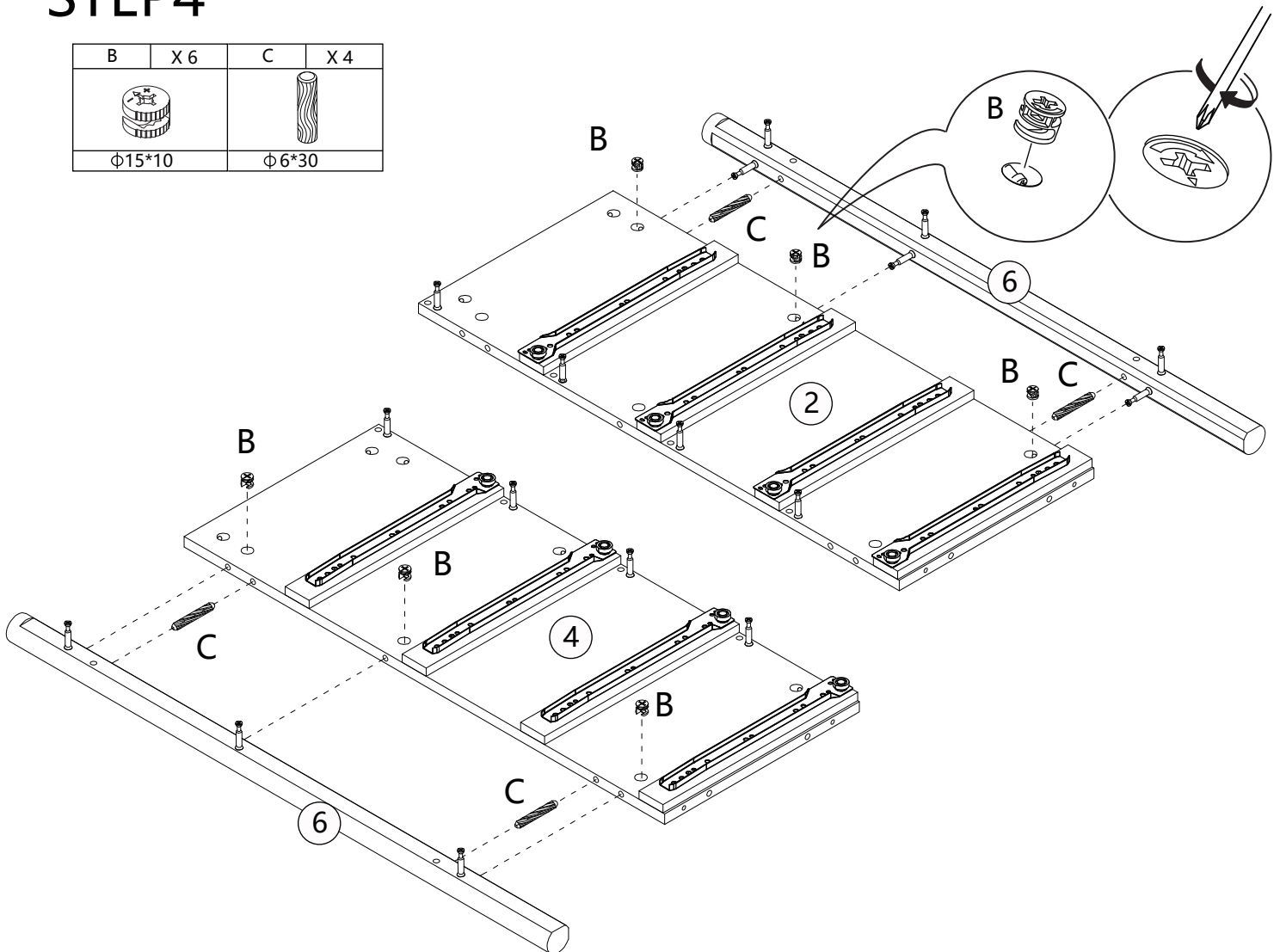
STEP3

A	X 8
	
M6*35	






STEP4

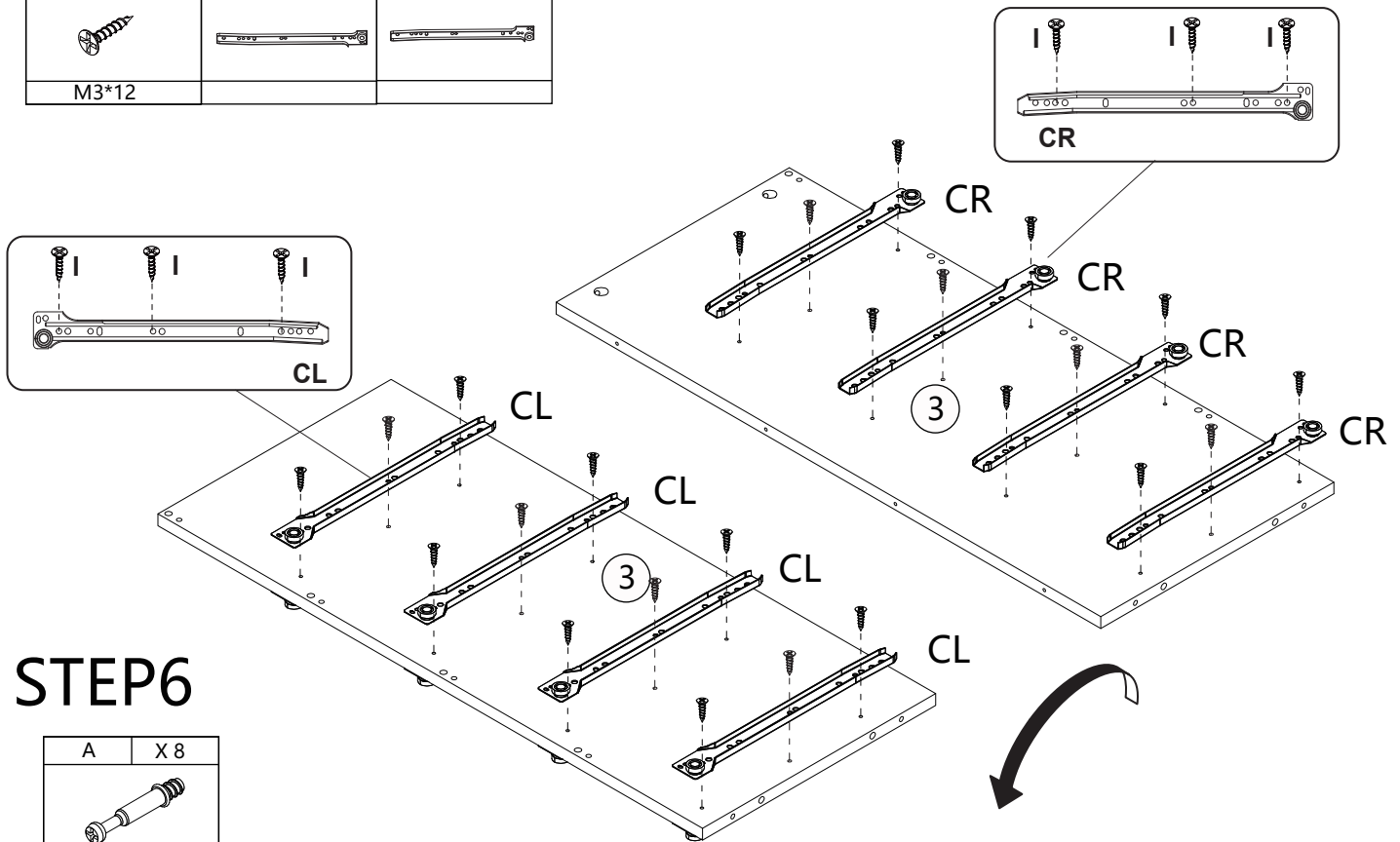
B	X 6	C	X 4
			
Φ15*10		Φ6*30	



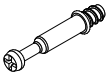
STEP 5

I	X 24	CL	X 4	CR	X 4
					
M3*12					

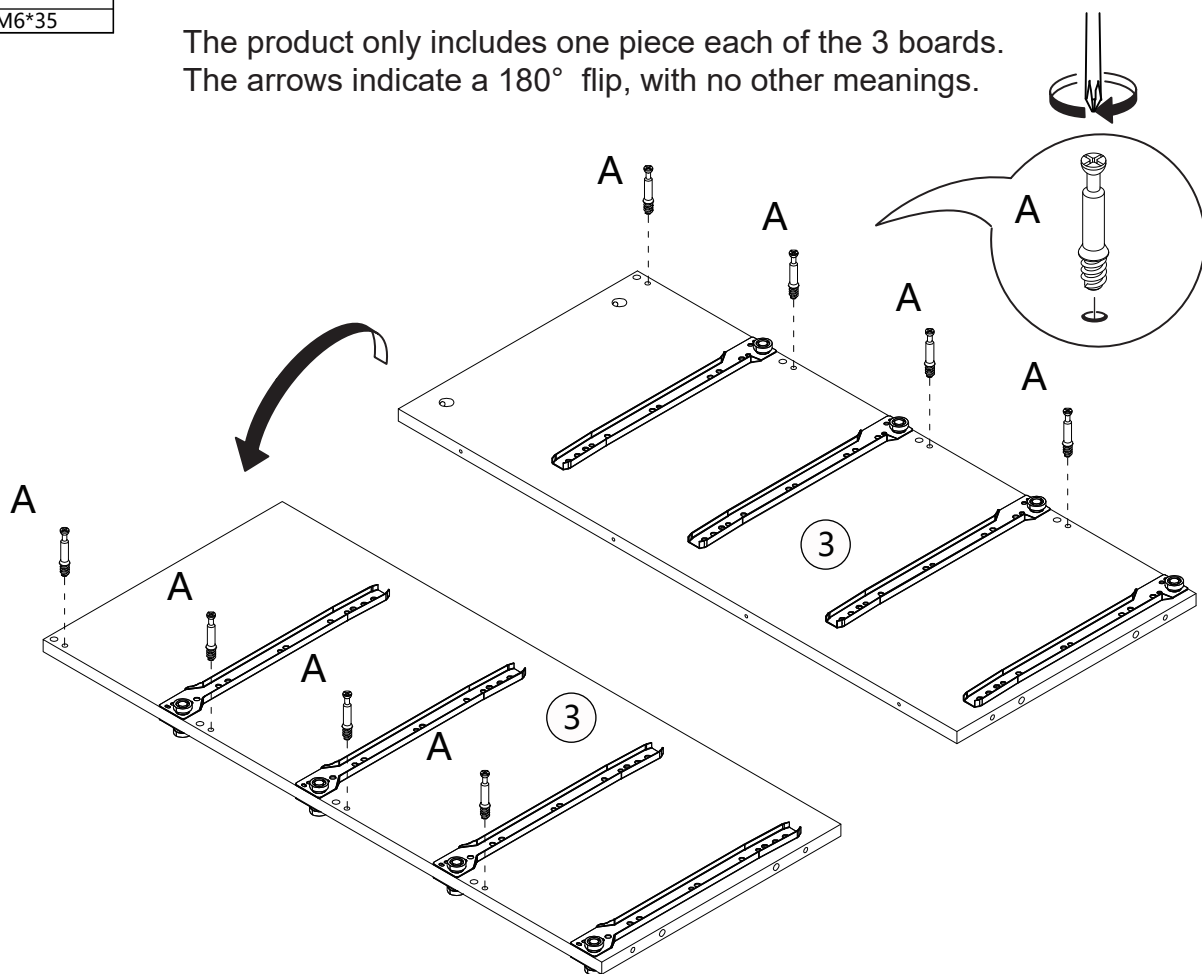
The product only includes one piece each of the 3 boards.
The arrows indicate a 180° flip, with no other meanings.





STEP 6

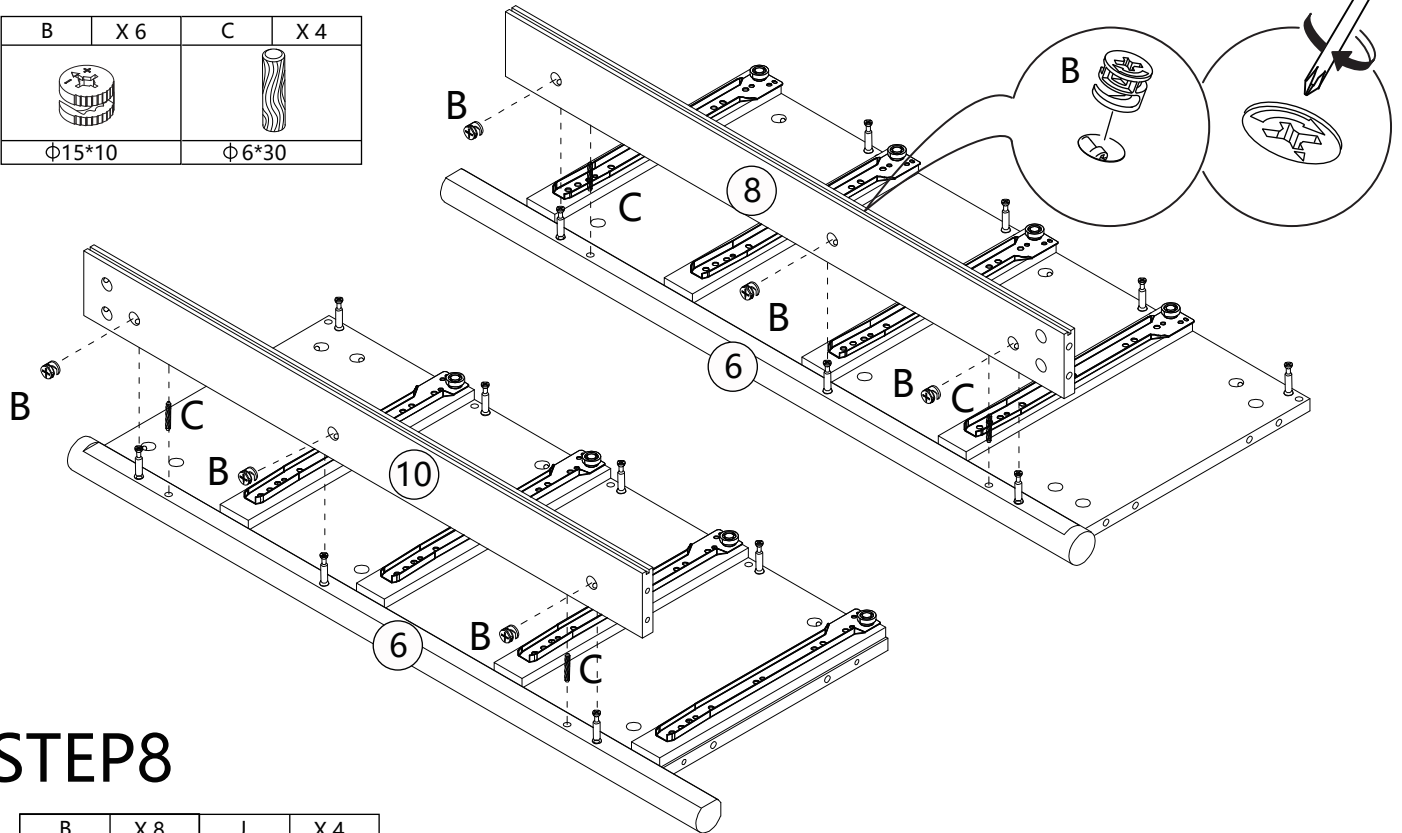
A	X 8
	
M6*35	

The product only includes one piece each of the 3 boards.
The arrows indicate a 180° flip, with no other meanings.





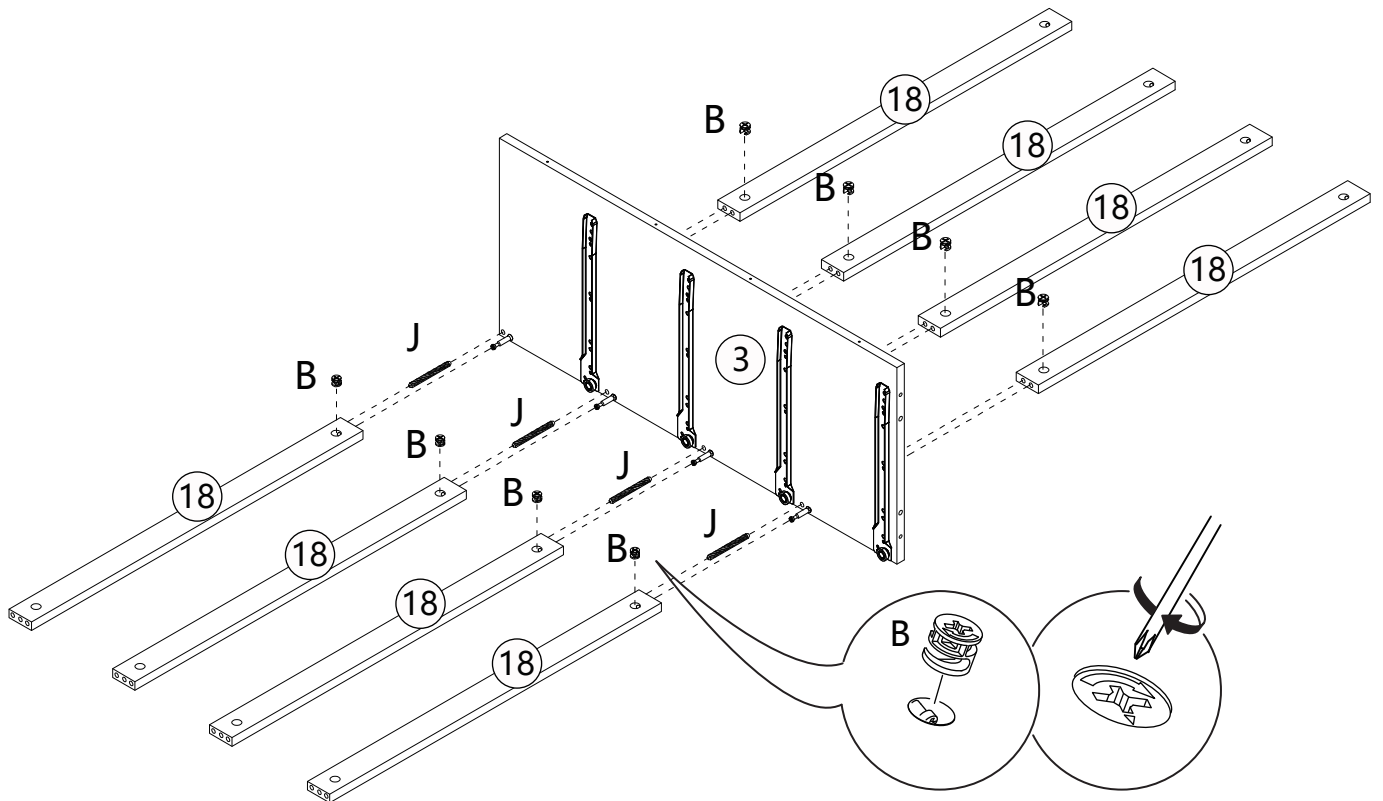
STEP7

B	X 6	C	X 4
			
$\Phi 15 \times 10$		$\Phi 6 \times 30$	





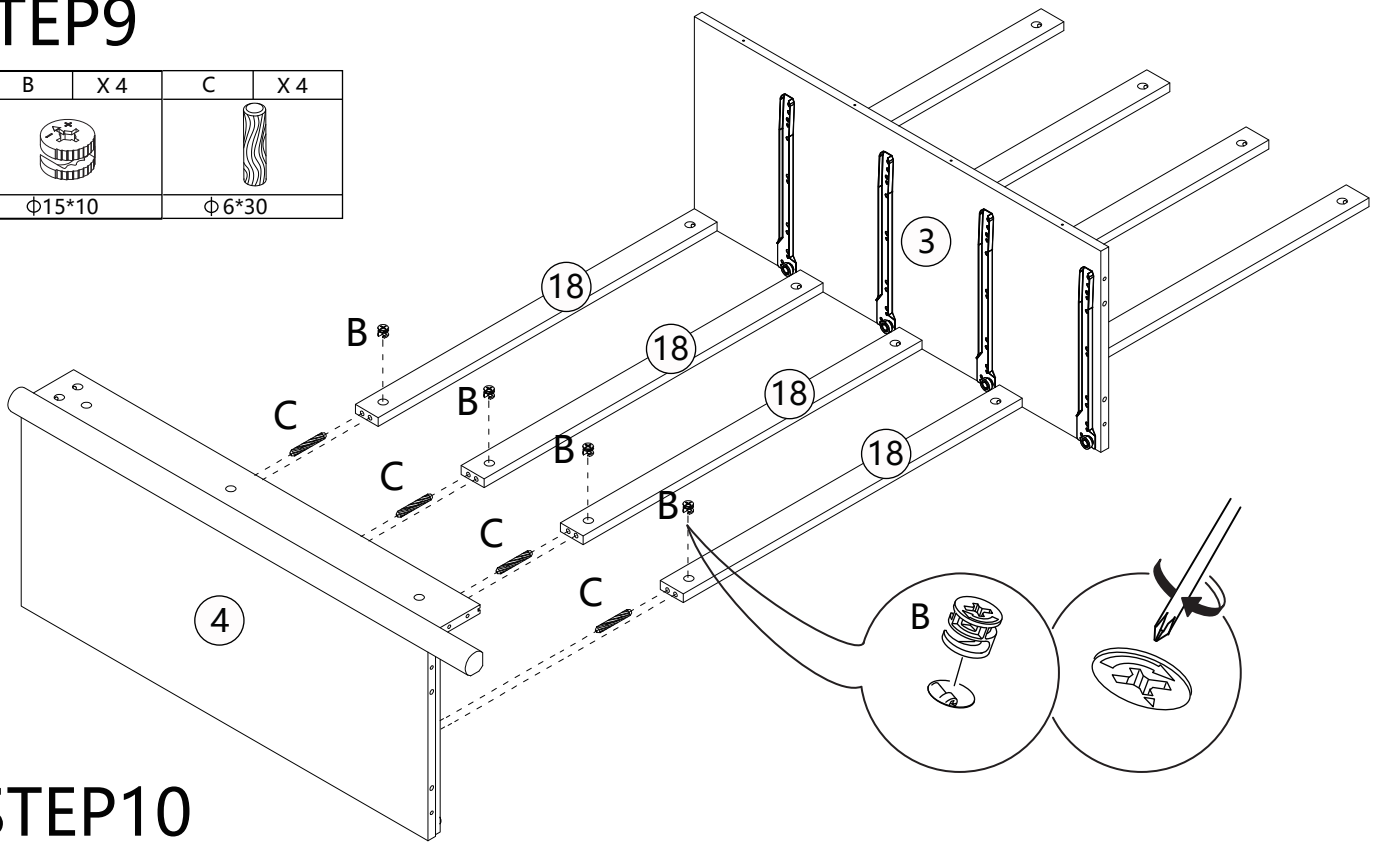
STEP8

B	X 8	J	X 4
			
$\Phi 15 \times 10$		$\Phi 6 \times 50$	





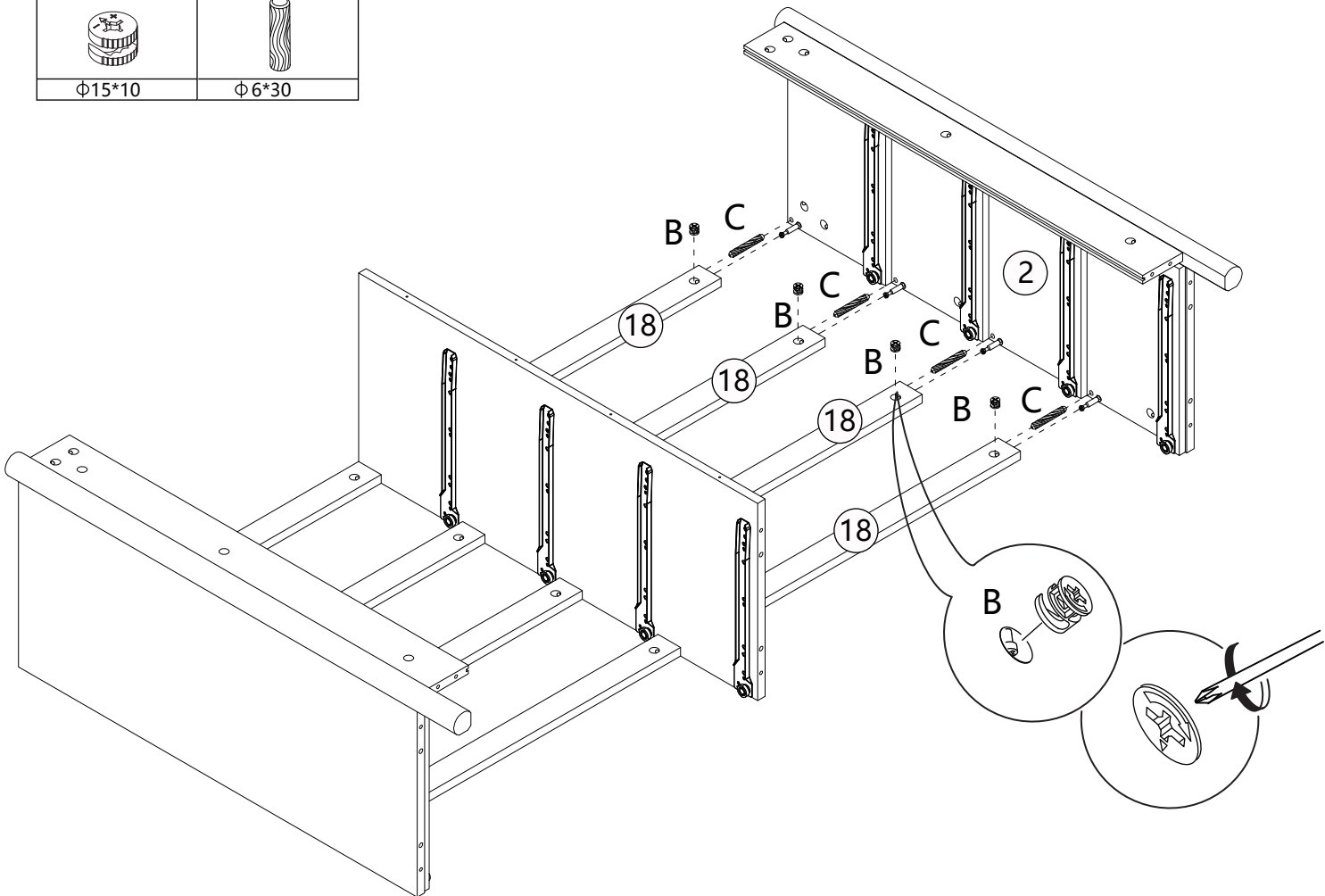
STEP 9

B	X 4	C	X 4
			
$\phi 15 \times 10$		$\phi 6 \times 30$	

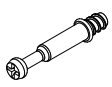

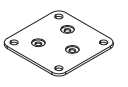




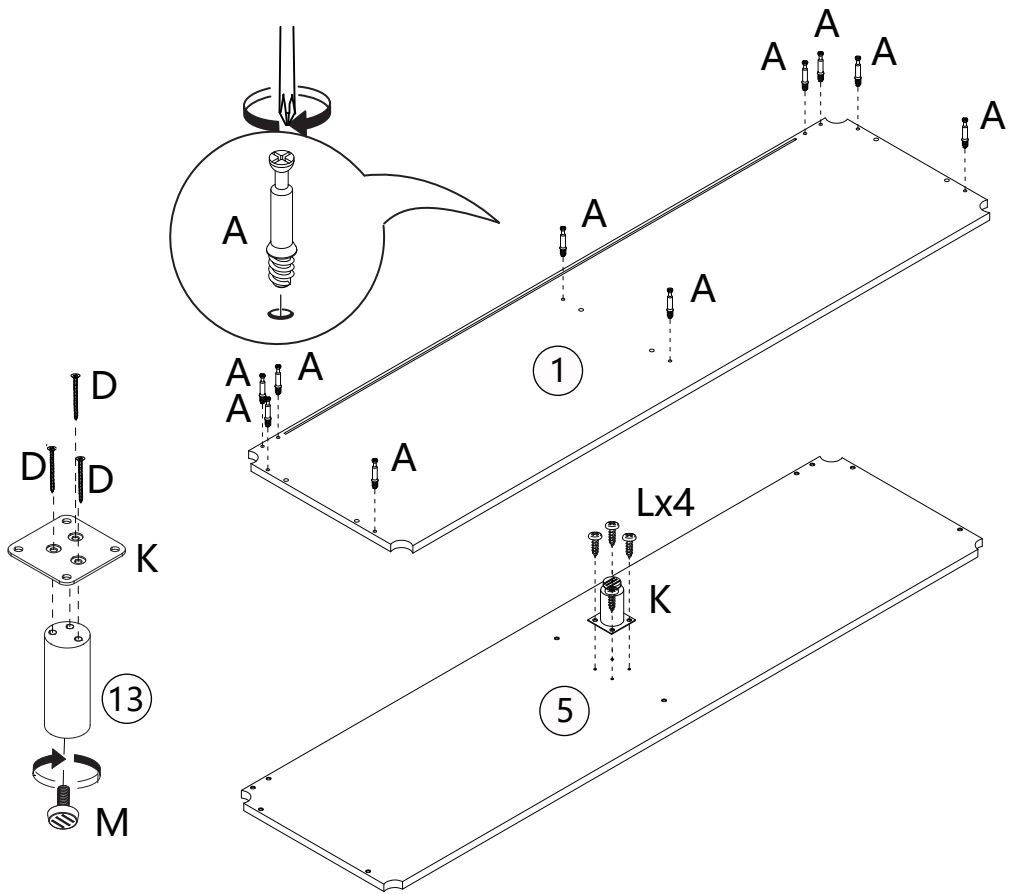
STEP 10

B	X 4	C	X 4
			
$\phi 15 \times 10$		$\phi 6 \times 30$	





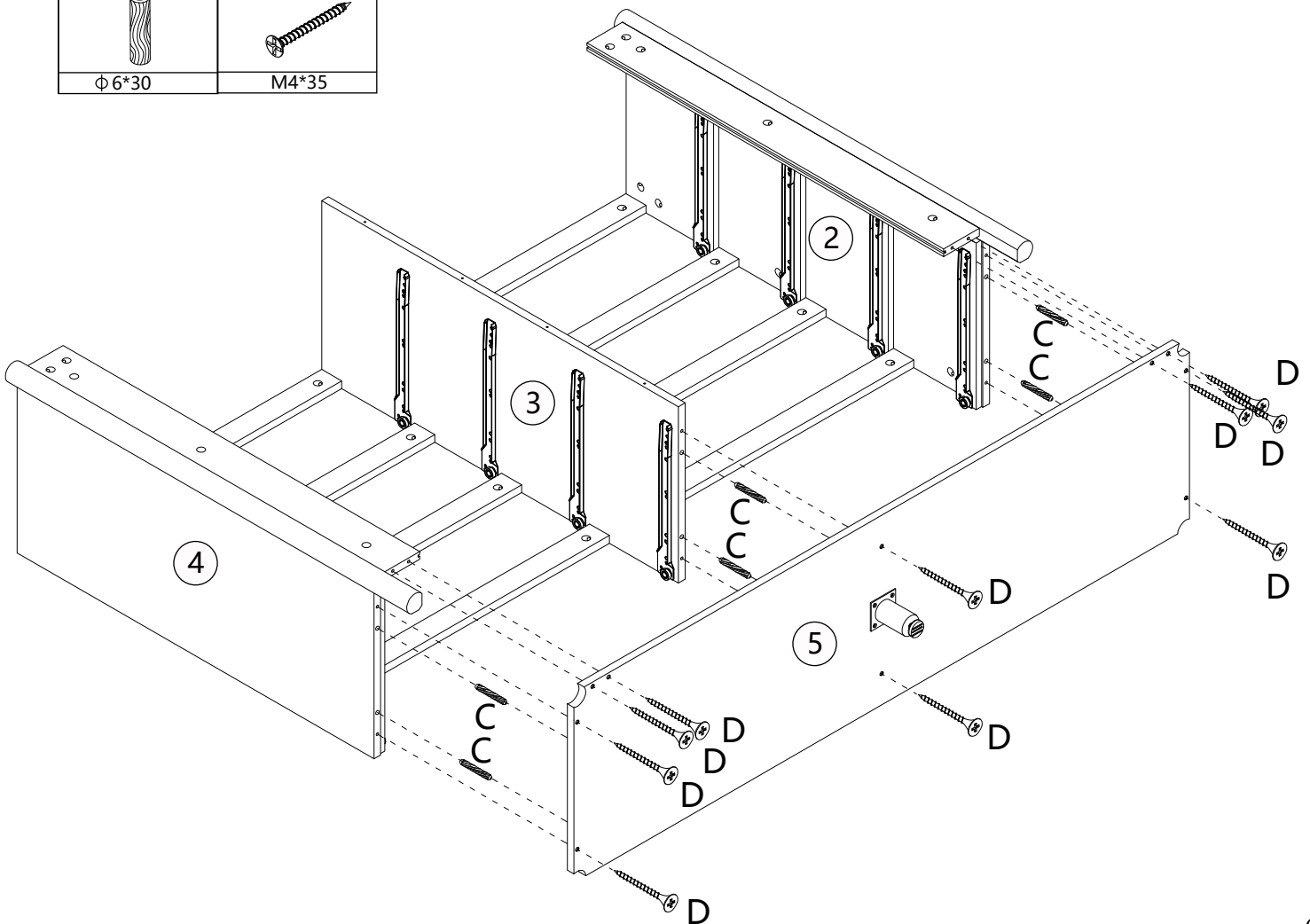
STEP 11

A	X 10	D	X 3
			
M6*35		M4*35	
K	X 1	L	X 4
			
		M4*12	
M	X 1		
			

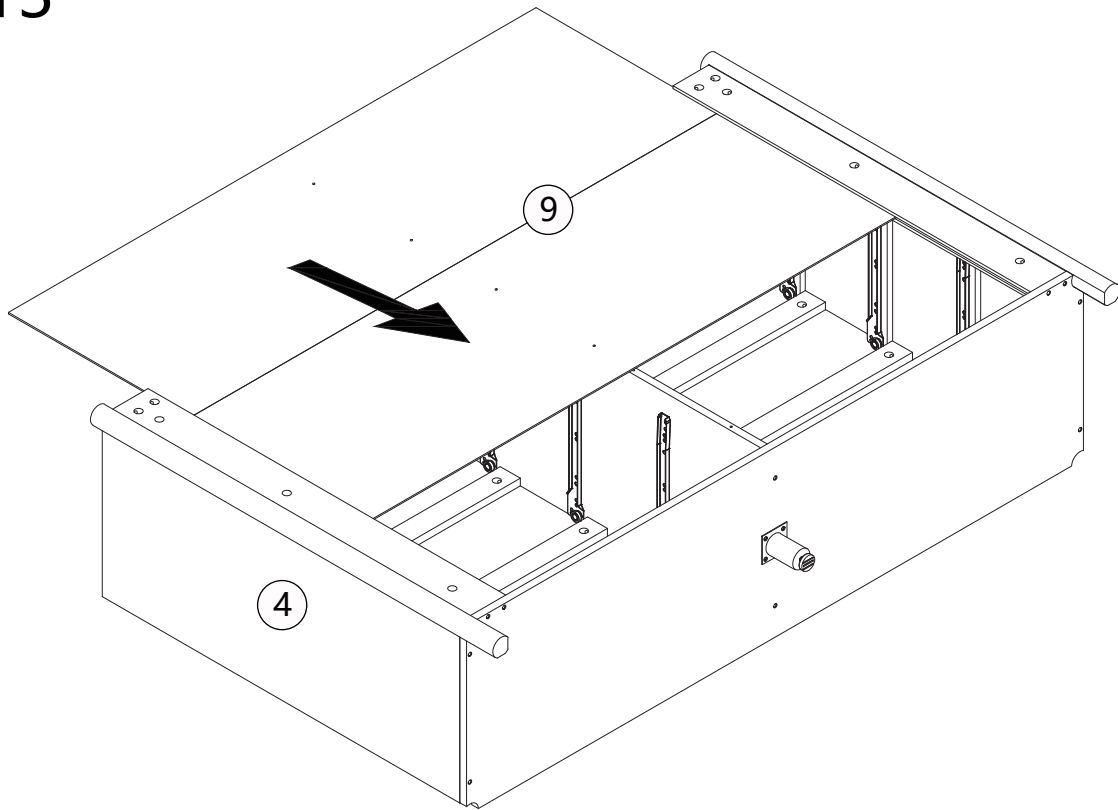


STEP 12



C	X 6	D	X 10
			
Φ 6*30		M4*35	

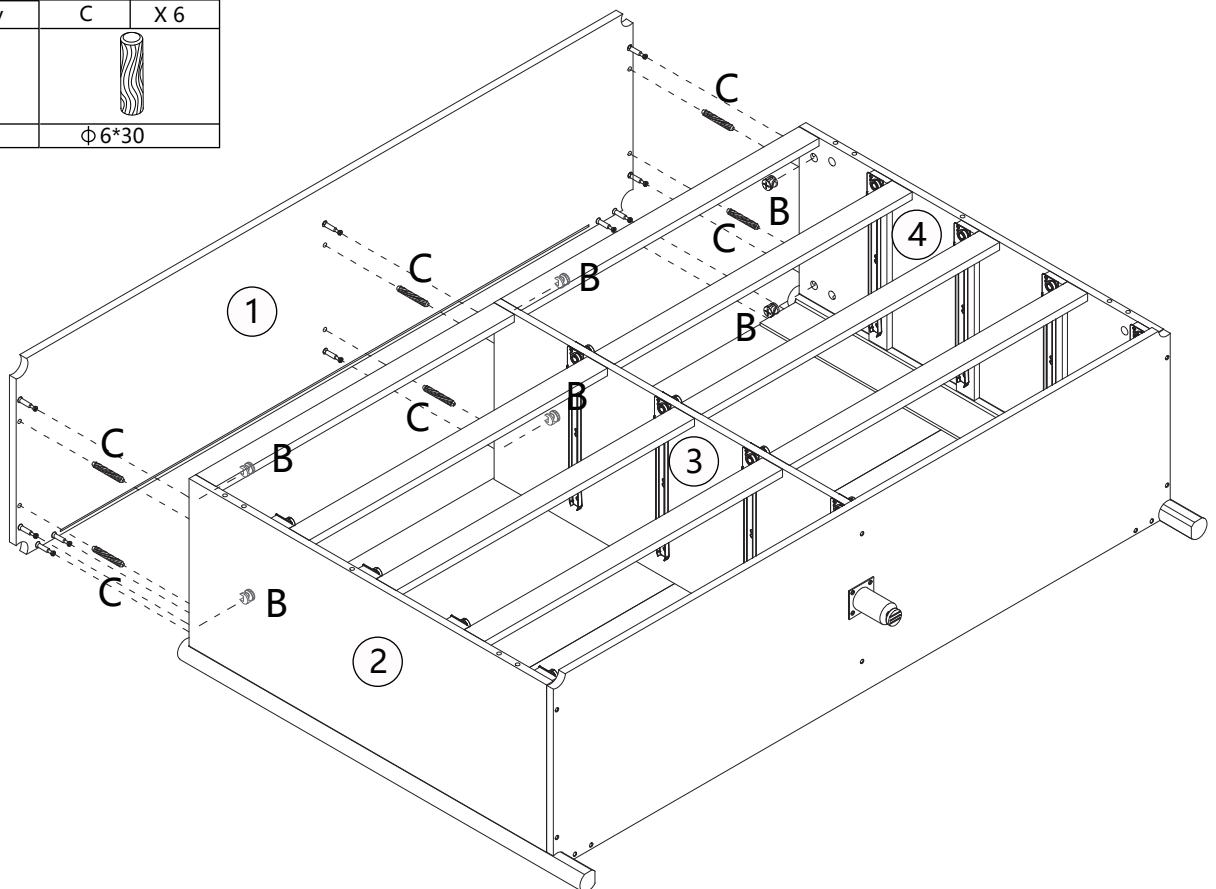


STEP13






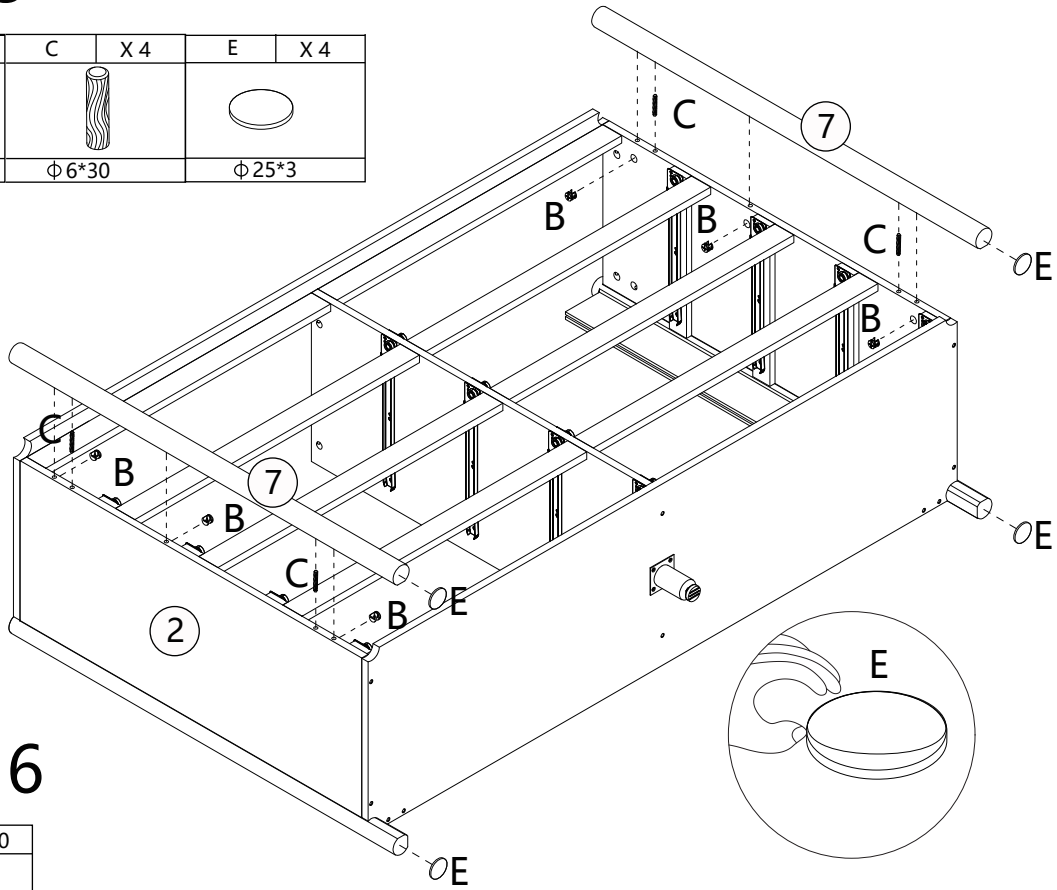
STEP14

B	Xv	C	X 6
			
$\phi 15*10$		$\phi 6*30$	




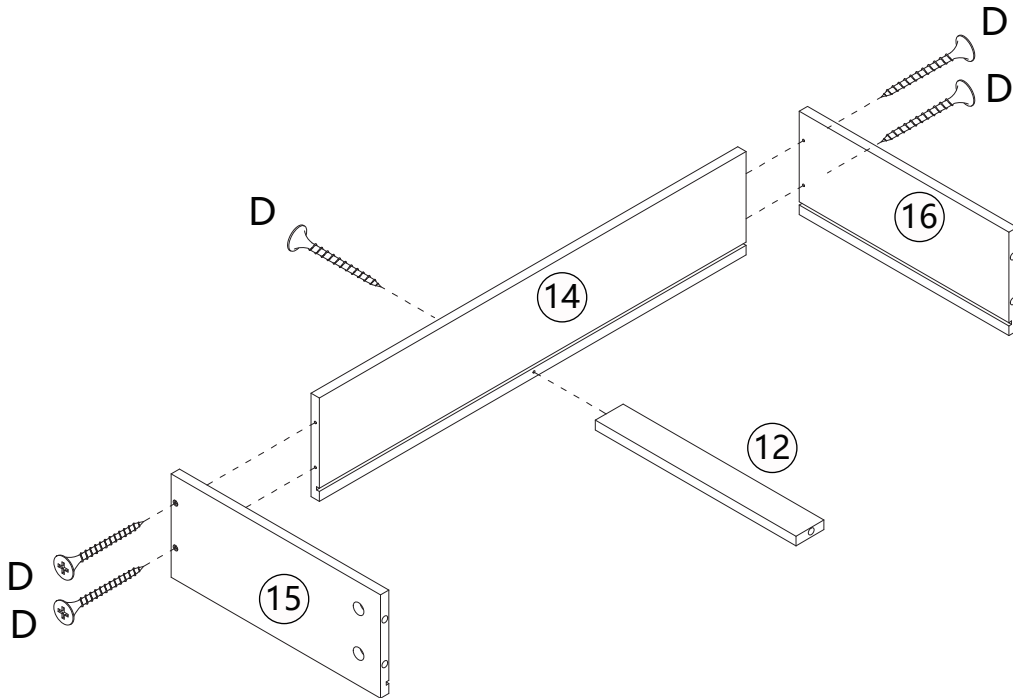
STEP15

B	X 6	C	X 4	E	X 4
					
$\phi 15 \times 10$		$\phi 6 \times 30$		$\phi 25 \times 3$	



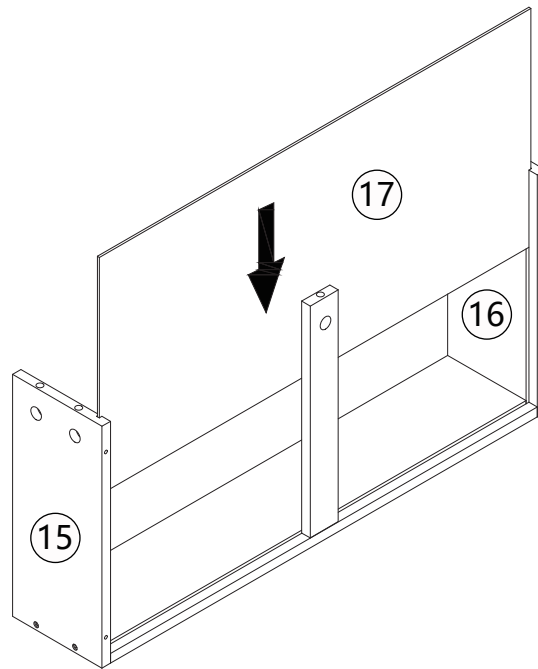
STEP16

D	X 40
	
M4*35	



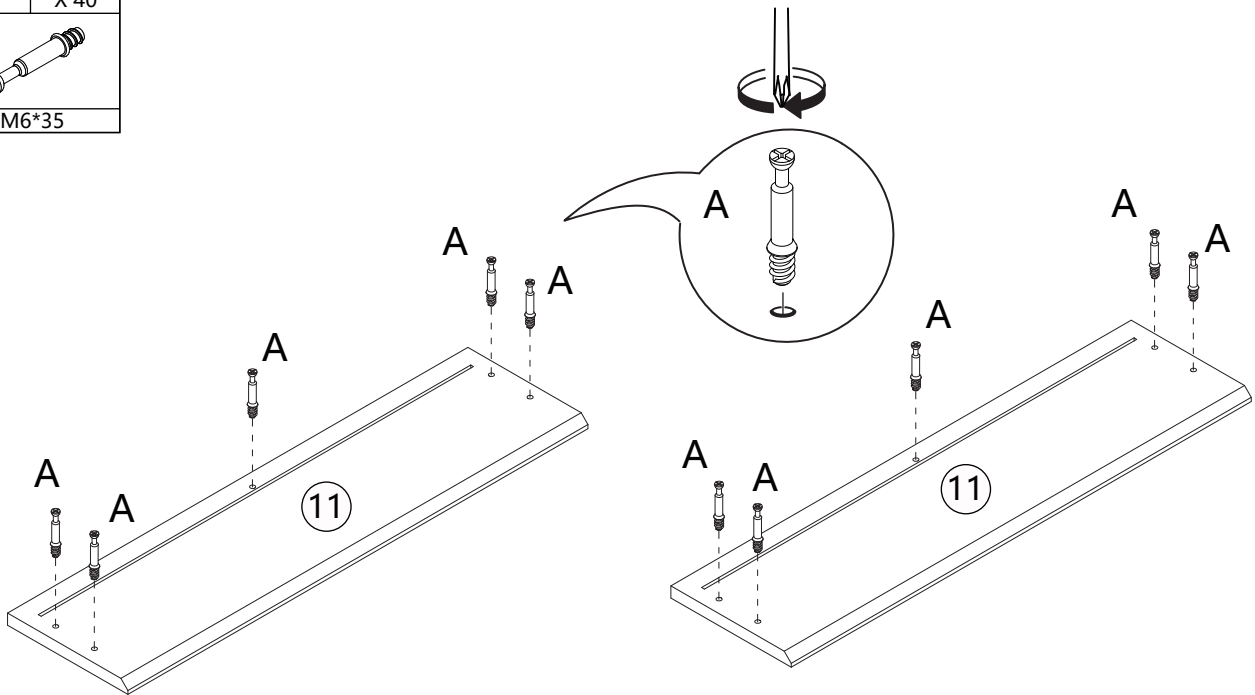
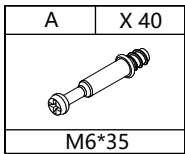
X8

STEP17



X8

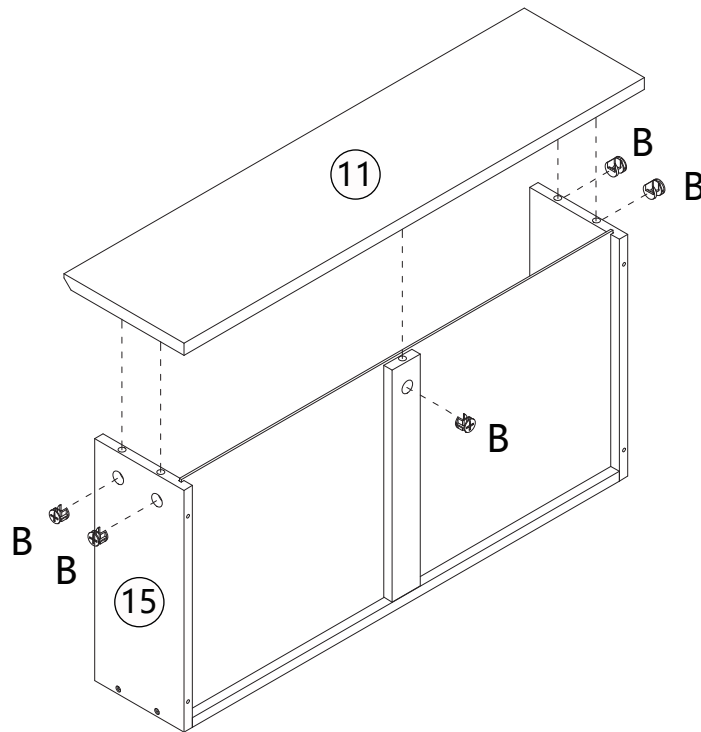
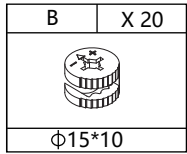
STEP18



Left
X4

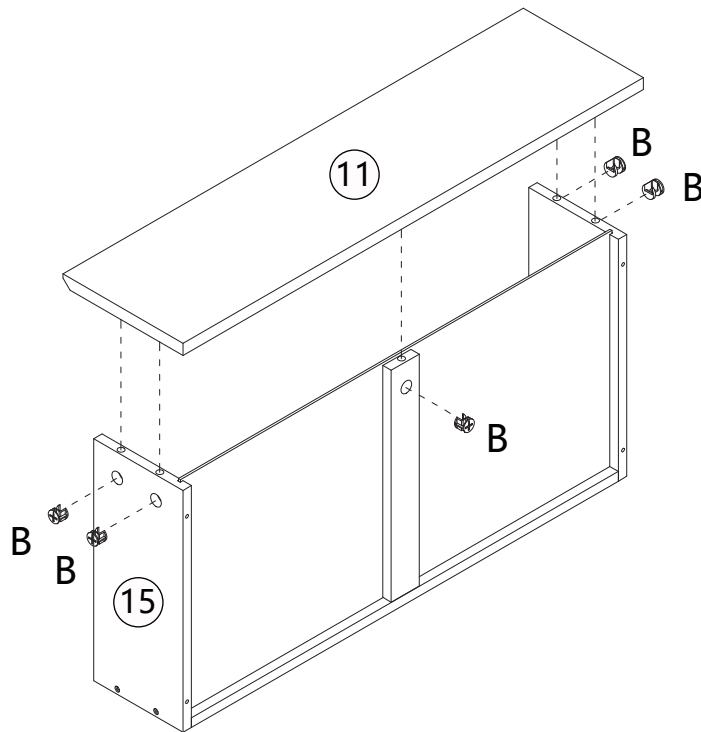
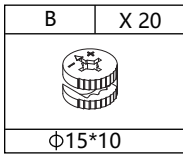
Right
X4

STEP19






**Left
X4**

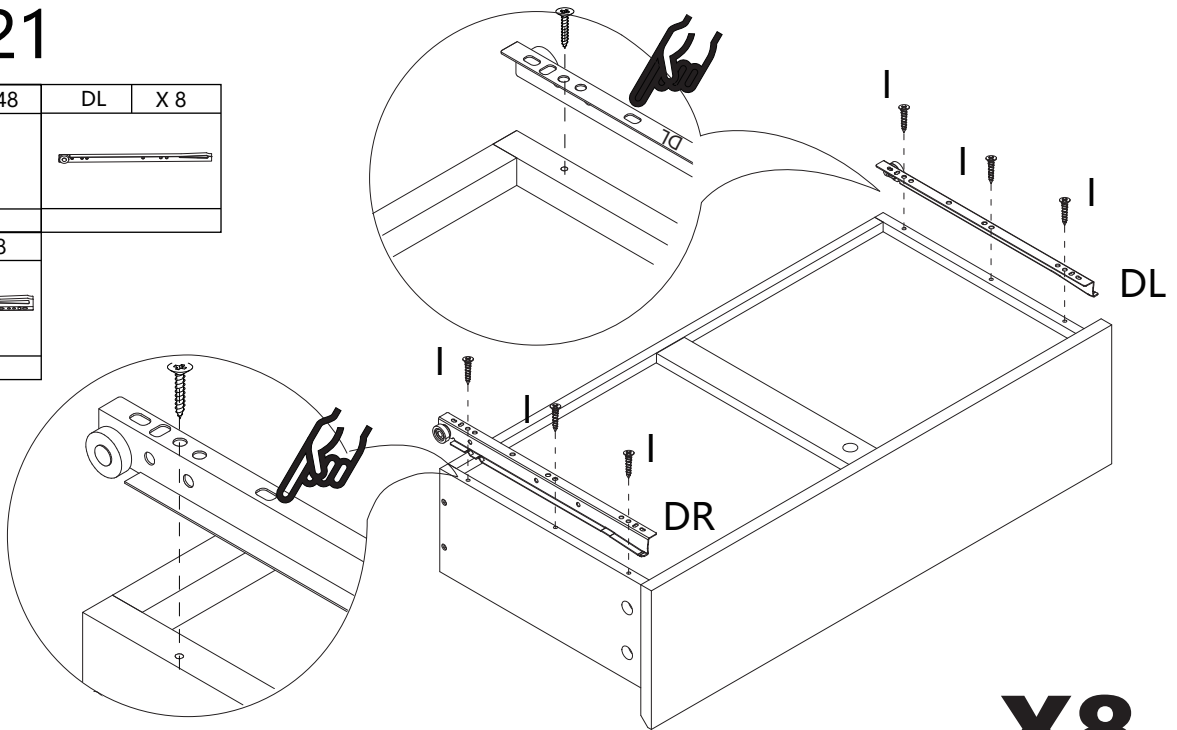
STEP20



**Right
X4**

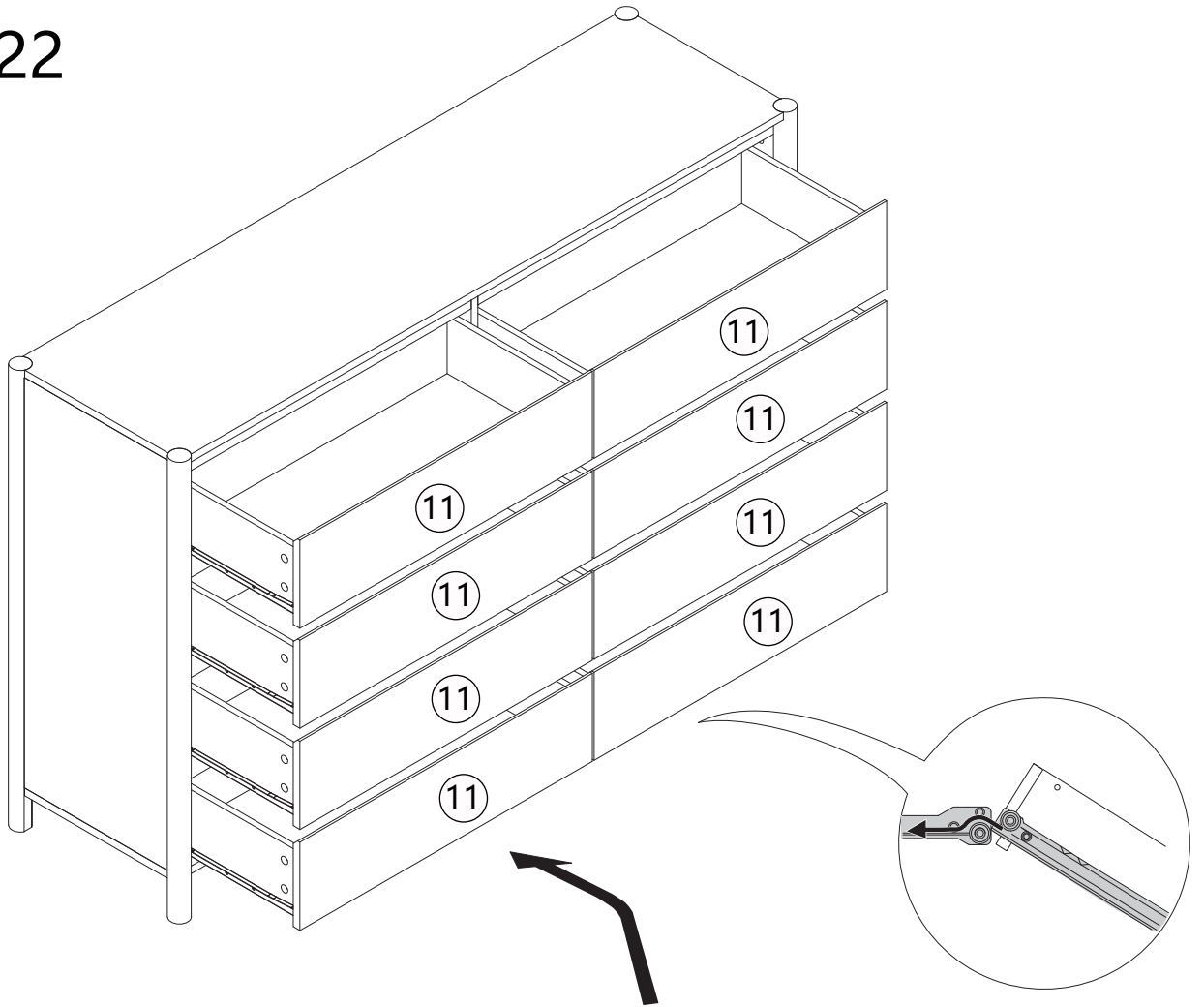
STEP21

I	X 48	DL	X 8
			
DR	X 8		
			







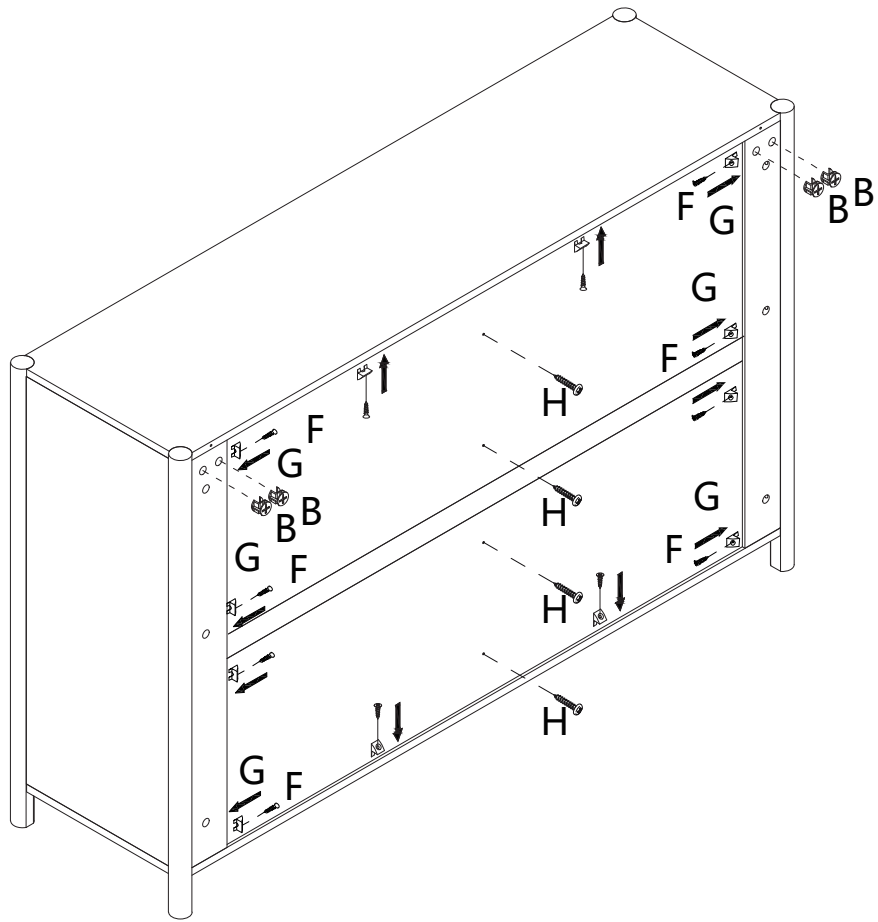
X8

STEP22





STEP23

F	X 12	G	X 12
			
M3*14			
H	X 4	B	X 4
			
M3*14		Φ15*10	



STEP24

D	X 2	L	X 2
			
M4*35		M4*12	
N	X 2		
