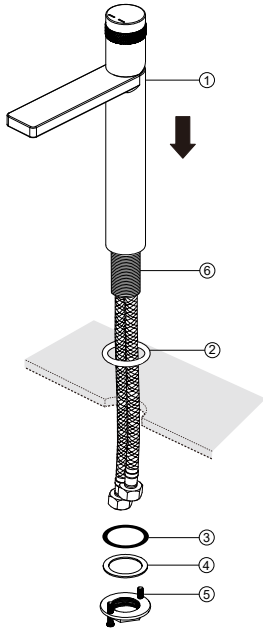


## BEFORE INSTALLATION

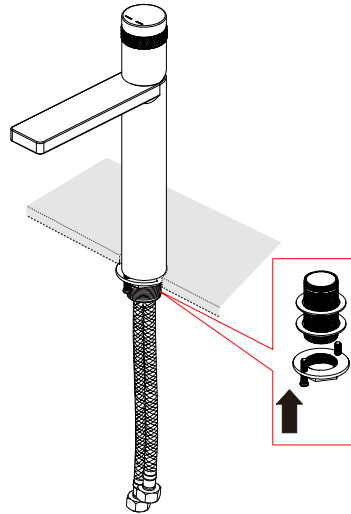
- To insure proper installation, please read the following instructions carefully.
- Please make sure that the water supply has been shut off at the stop valve.
- EZANDA reserves the right to update product without notice.

please contact **EZANDA** first ,  
If you have any question or need help.  
[market@ezanda.com](mailto:market@ezanda.com)

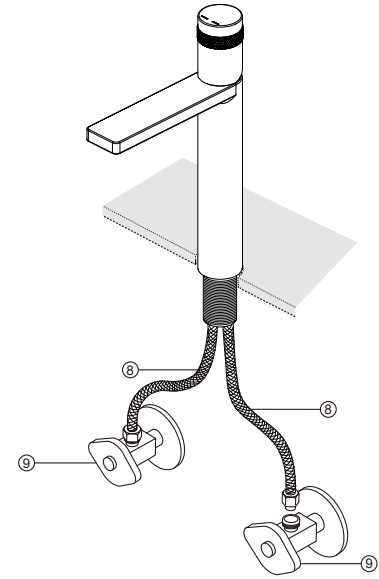
### Single Hole Application



1. Install Gasket ② onto Faucet Body ①.  
Slide single hole faucet through the mounting hole.



2. Place Stainless Steel Washer ④ and Rubber Washer ③ onto Mounting Studs ⑥ under the sink, and tighten the Mounting Nuts ⑤ securely as shown.



3. Connect and screw on the Supply Hoses ⑧ to Valves ⑨.
4. Turn on faucet to check for leaks.

· Every once in a while, please rinse the faucet with lukewarm soapwater , and wipe it clean with a soft duster cloth.  
Please avoid any abrasive cleaners, steel wools, or corrosive chemicals.