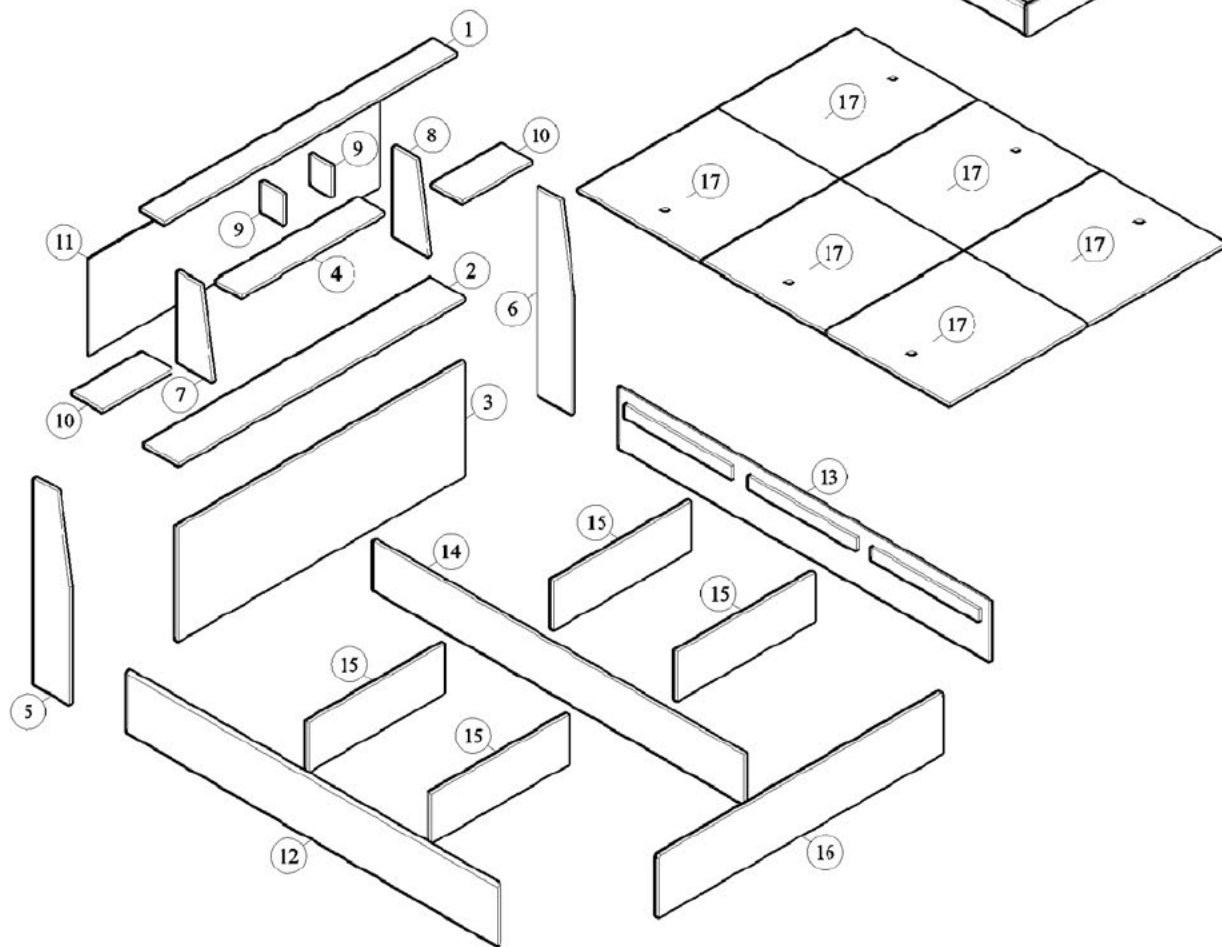
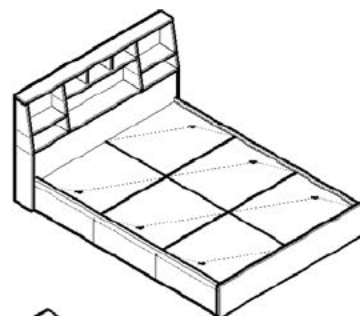
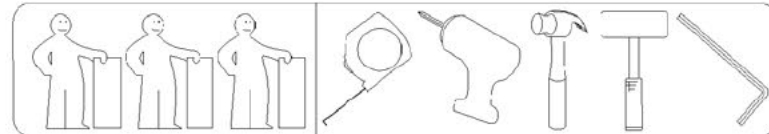


POSITION & PARTS NUMBER



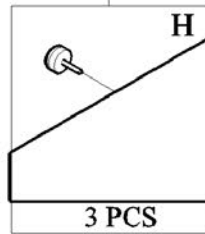
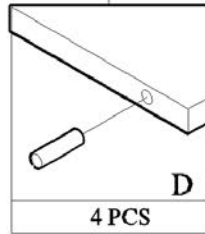
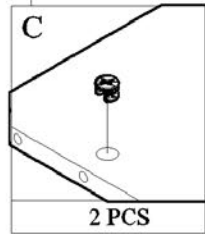
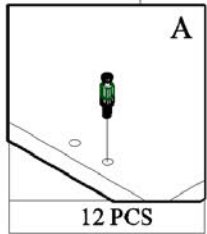
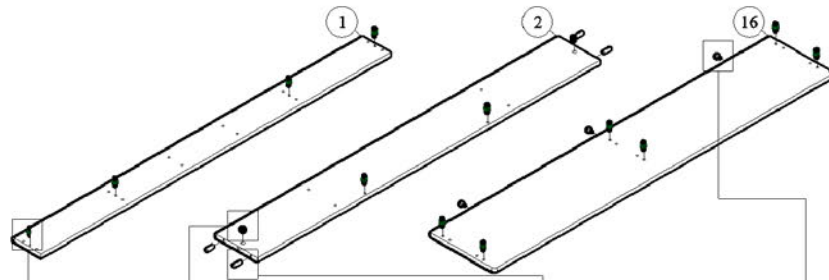
	ACCESSORIES	QUANTITY
A	 MINIFX M5x24MM	22 PCS
B	 MINIFX M7x64MM	2 PCS
C	 MINIFX CASING	26 PCS
D	 WOOD DOWEL M8x30MM	50 PCS
E	 IRON SHELF SUPPORT	8 PCS
F	 SCREW M6x50MM	10 PCS
G	 SCREW M4x38MM	12 PCS
H	 WHITE PIN LEG	21 PCS
I	 POWER PIN	40 PCS
J	 ALLEN KEY	1 PC
K	 WOOD DOWEL M8x50MM	4 PCS
L	 SCREW M3.5x16MM	4 PCS



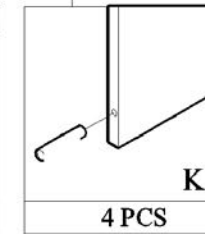
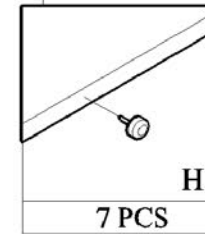
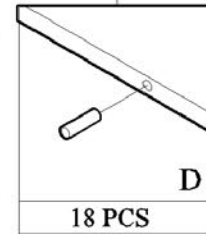
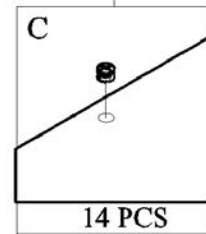
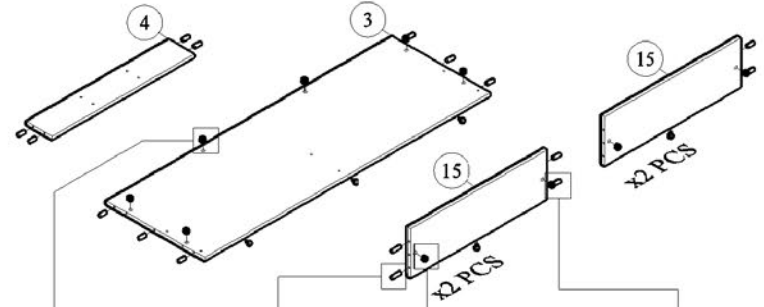


START ASSEMBLY

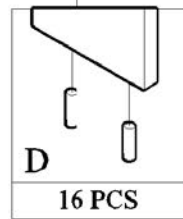
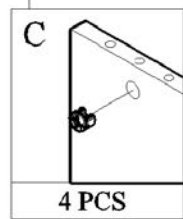
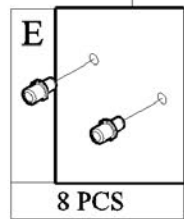
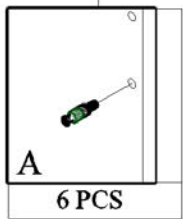
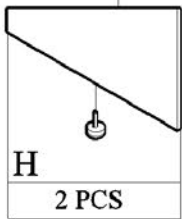
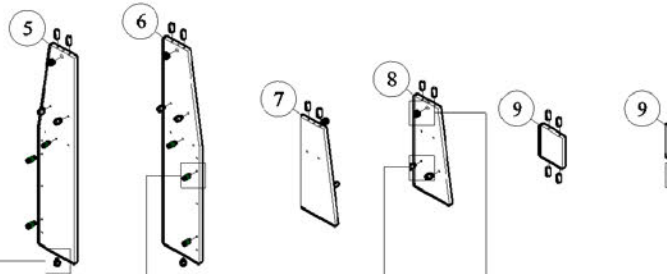
STEP 1



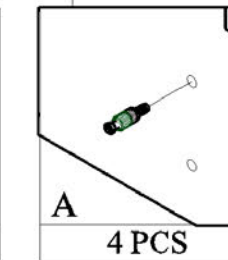
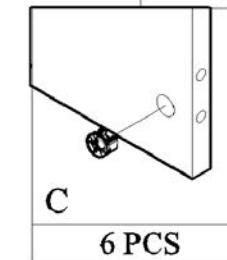
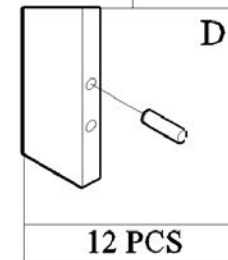
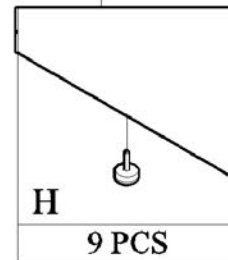
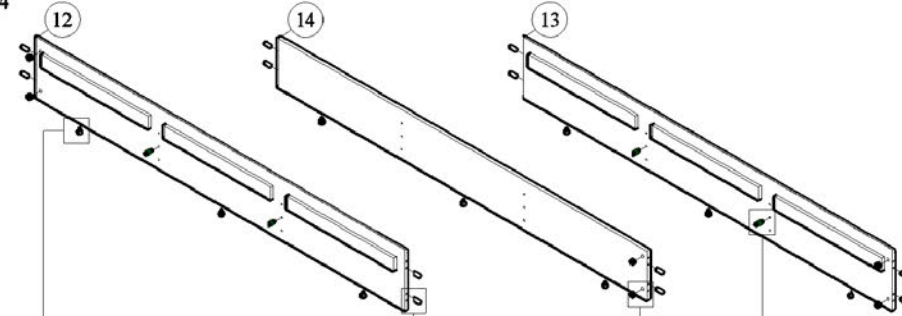
STEP 2



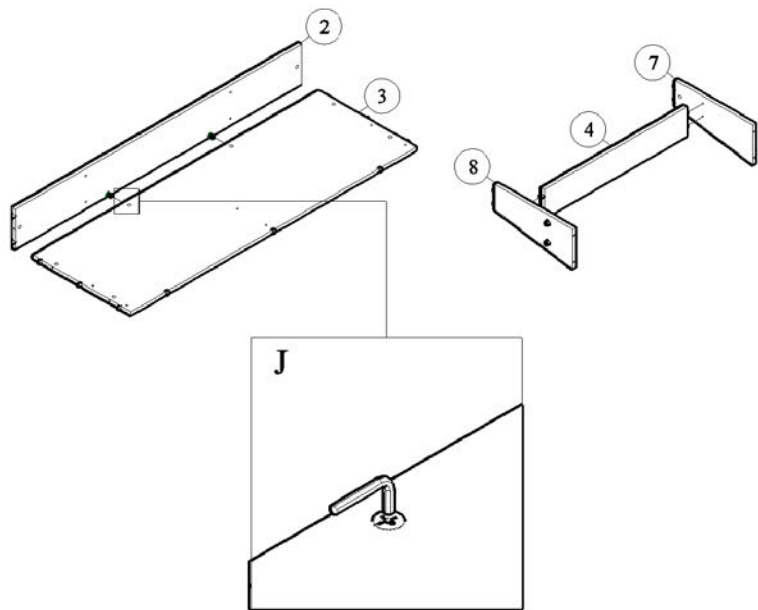
STEP 3



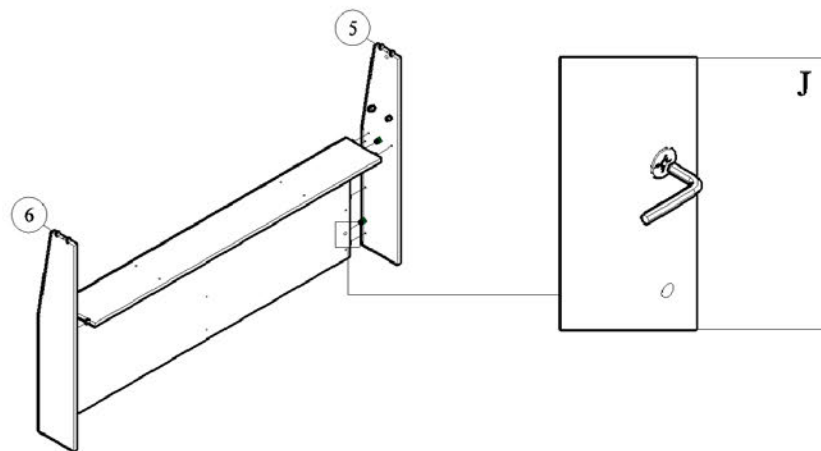
STEP 4



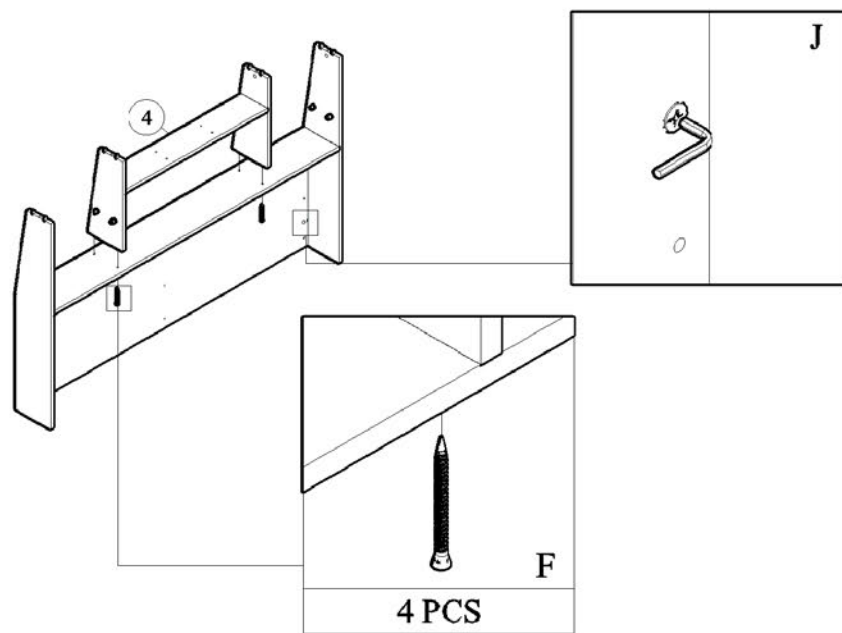
STEP 5



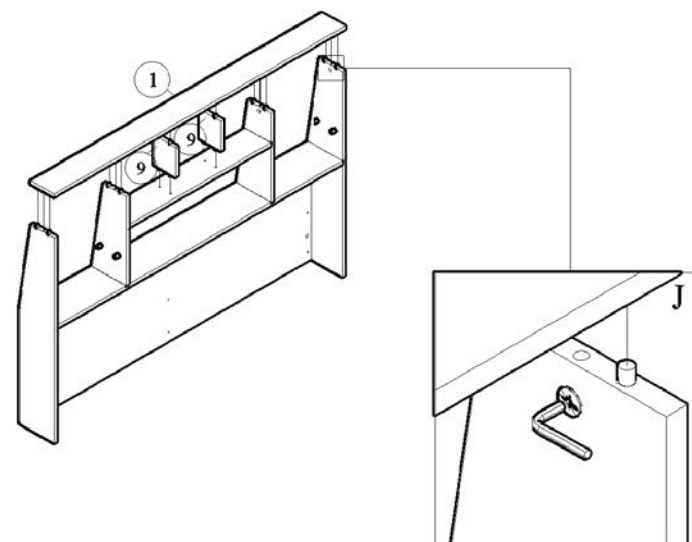
STEP 6



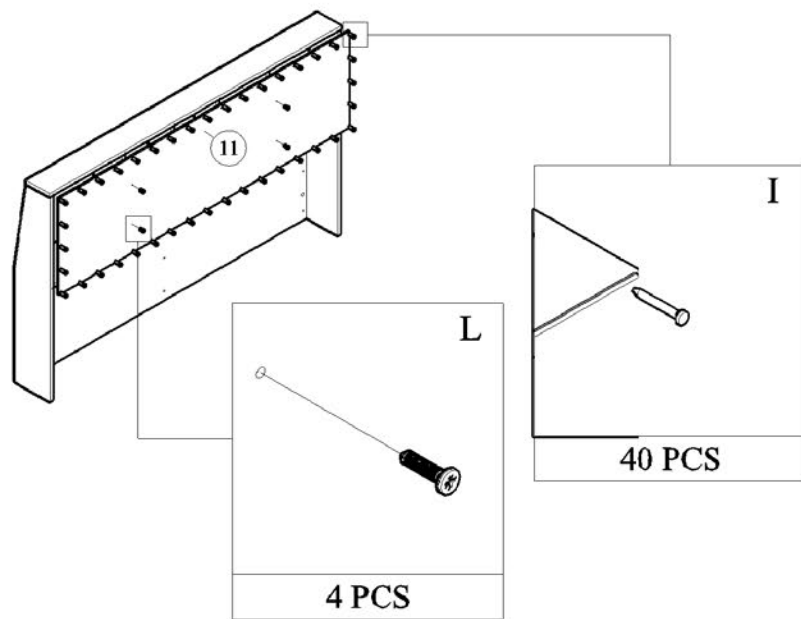
STEP 7



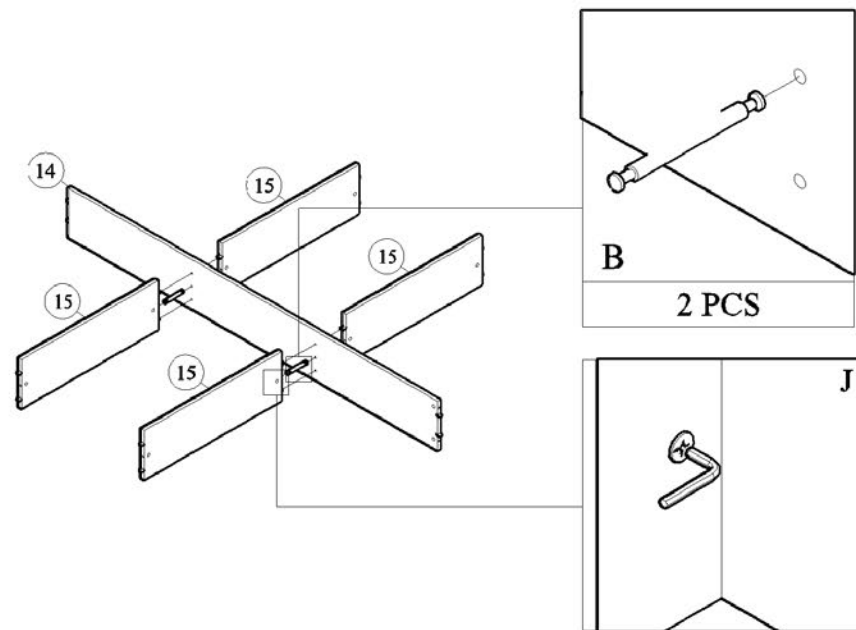
STEP 8



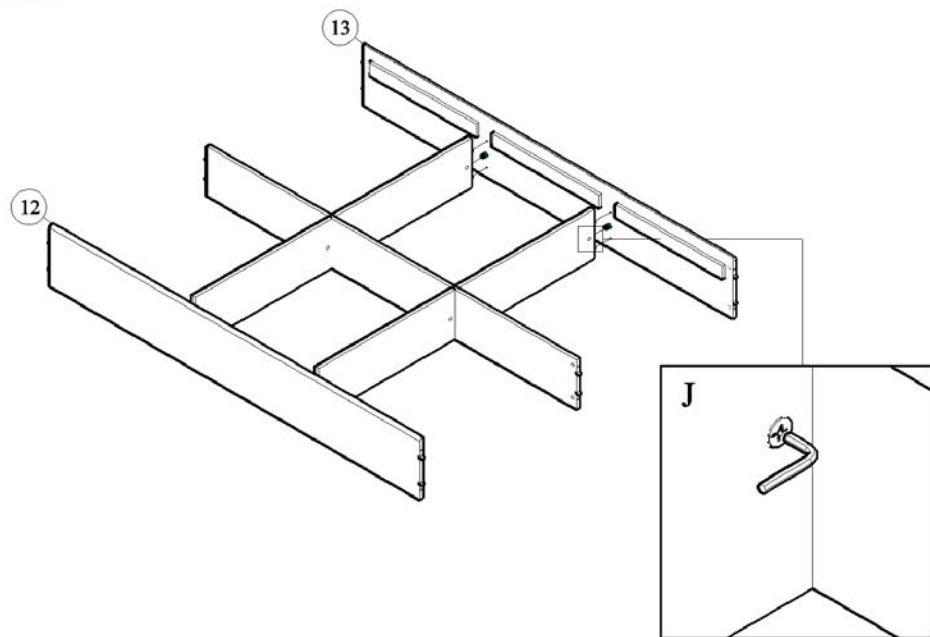
STEP 9



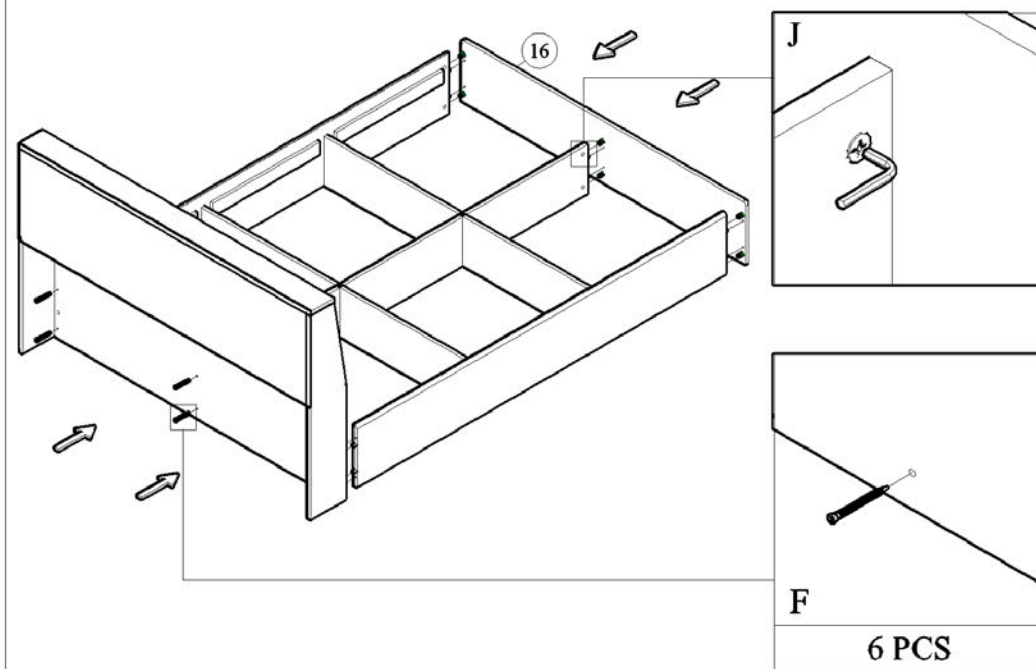
STEP 10



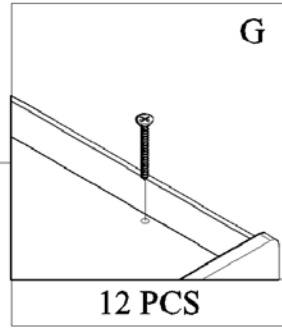
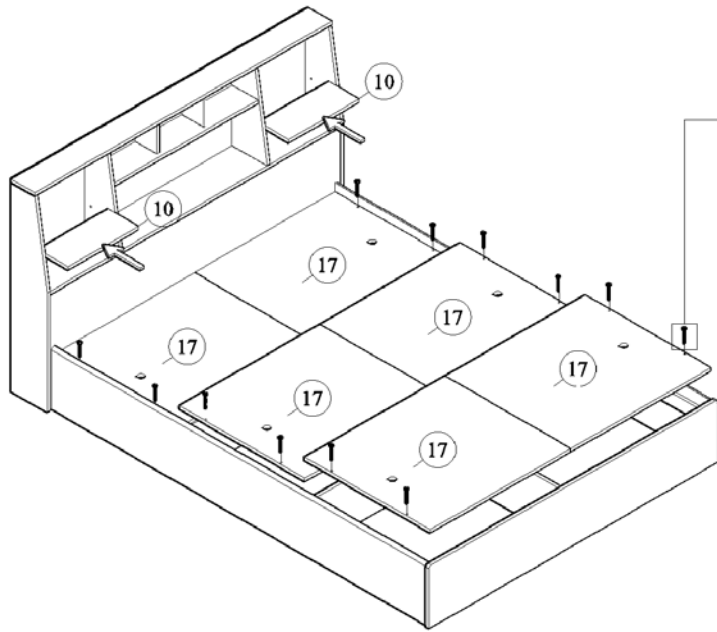
STEP 11



STEP 12



STEP 13



COMPLETED

