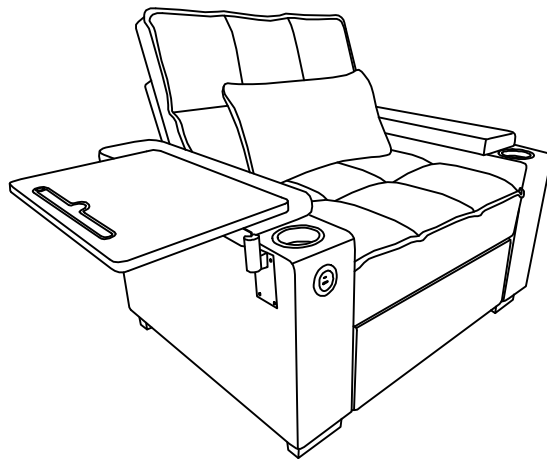


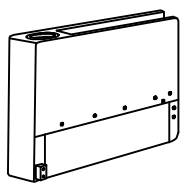
ASSEMBLY INSTRUCTION

Arm and Daybed

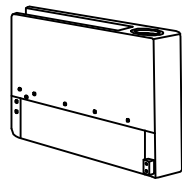
Thanks you for purchasing this quality product . Be sure to check al packing material carefully for smal parts that may have come loose inside the carton during shipment.



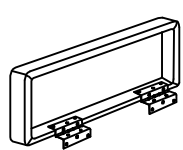
Parts list:



A*1PC



B*1PC



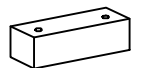
C*2PCS



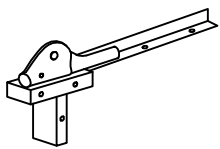
D*2PCS



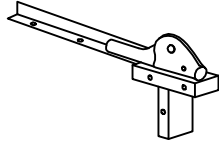
E*1PC



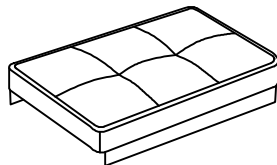
F*4PCS



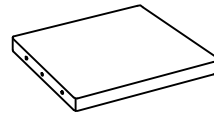
G*1PC



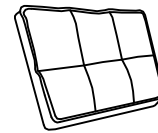
H*1PC



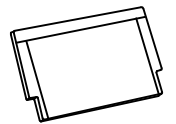
I*1PC



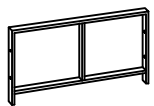
J*1PC



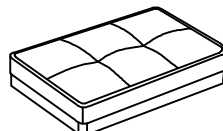
K*1PC



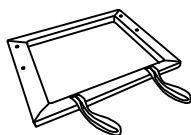
L*1PC



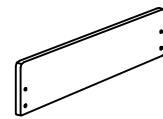
M*1PC



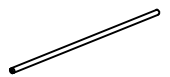
N*1PC



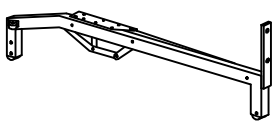
O*1PC



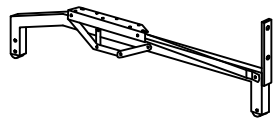
P*1PC



Q*1PC



R*1PC



S*1PC



Y*1PC

Hardware list:



20mm
① 20PCS



25mm
② 8PCS



50mm
③ 8PCS



90mm
④ 12PCS



M6*30
⑤ 18PCS



⑦ 12PCS



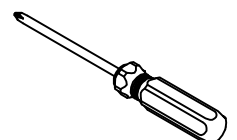
⑧ 18PCS



⑨ 12PCS

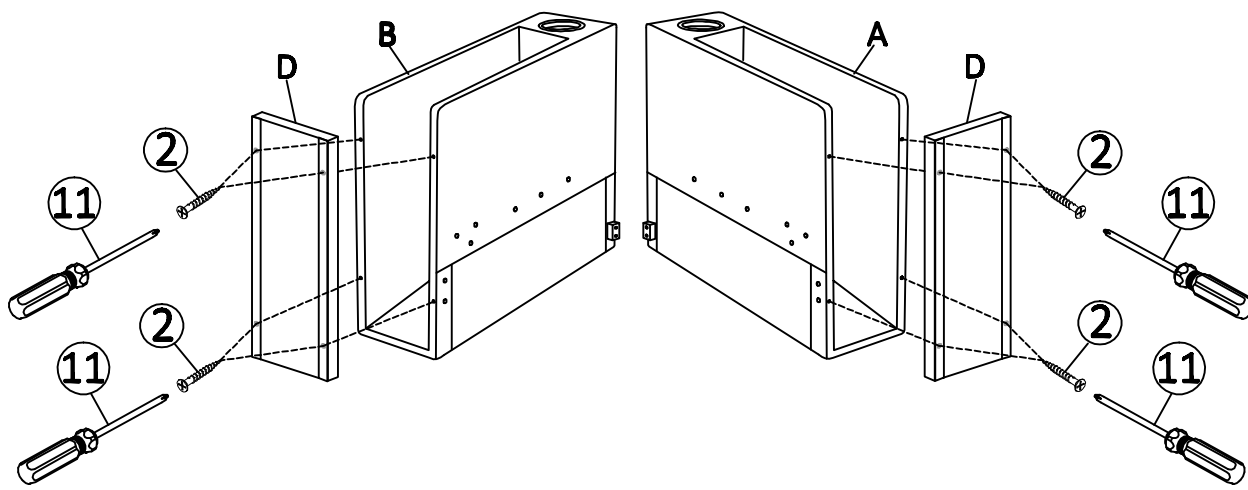


⑩ 1PC

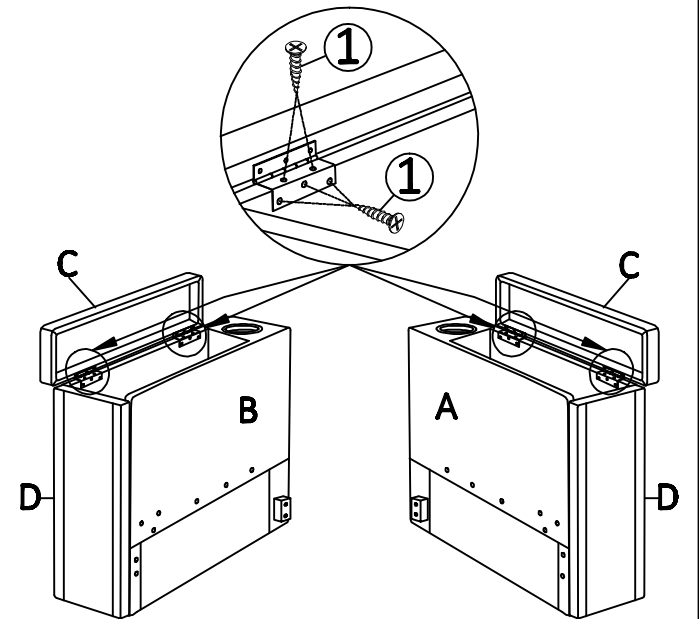


⑪ 1PC

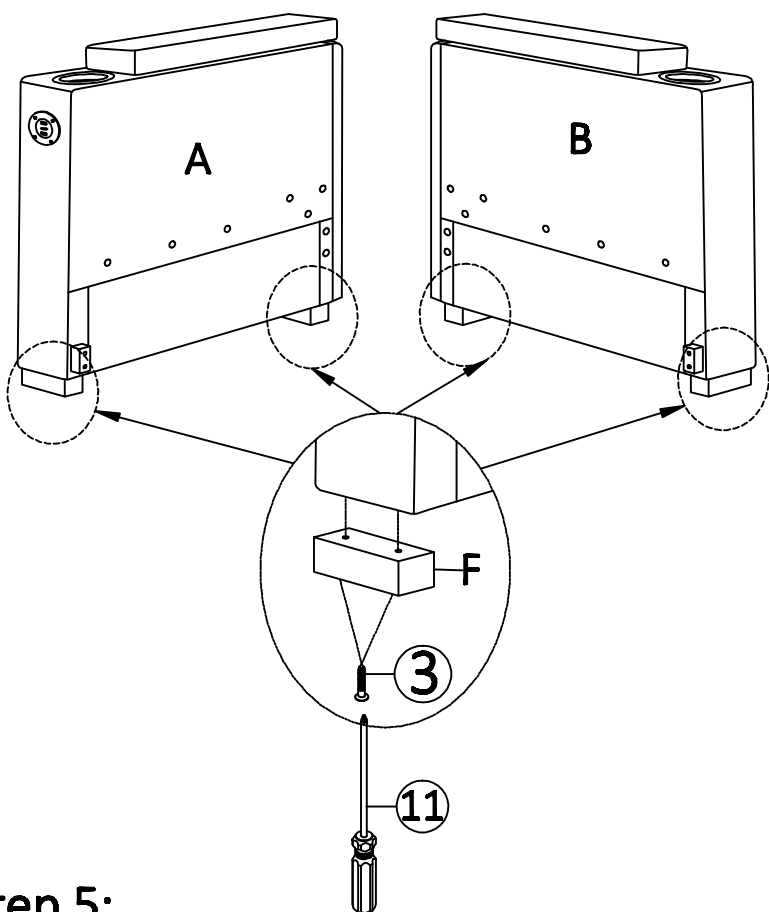
Step 1:



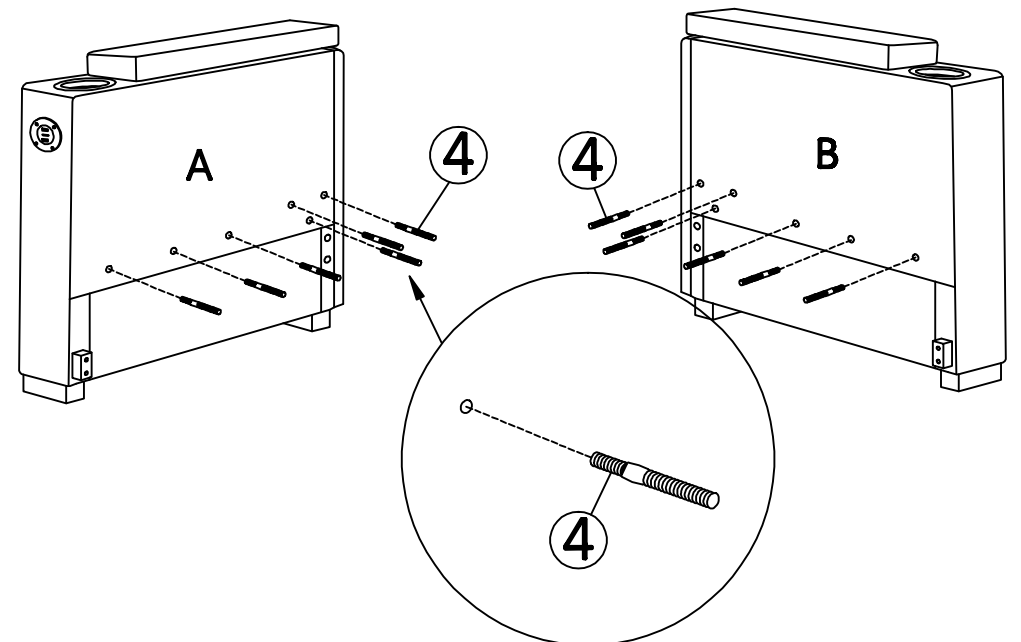
Step 2:



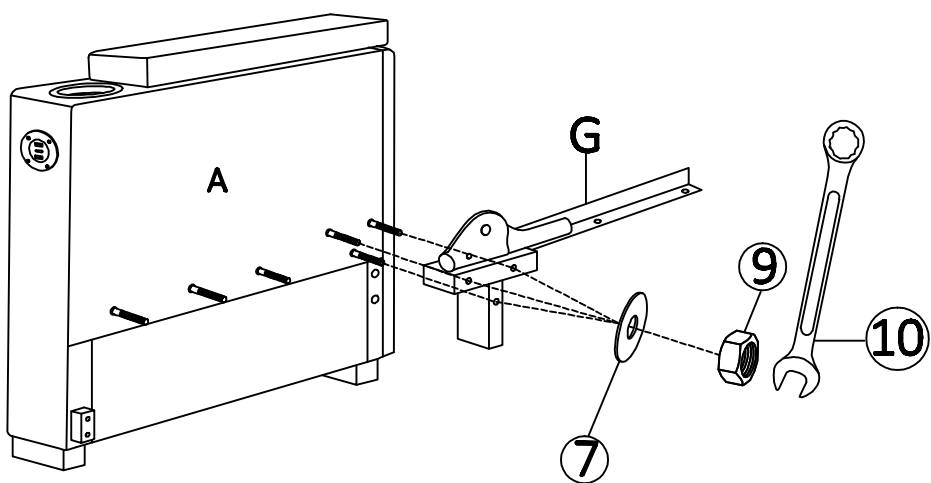
Step 3:



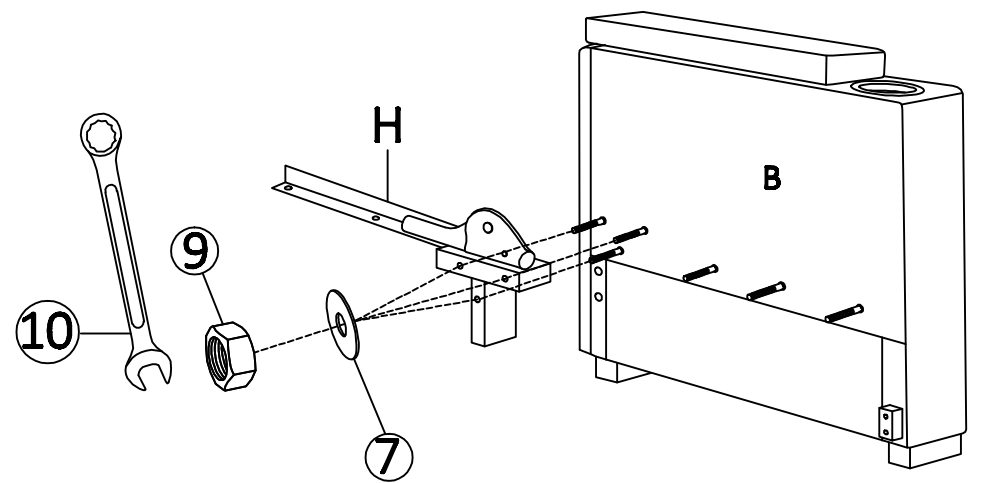
Step 4:



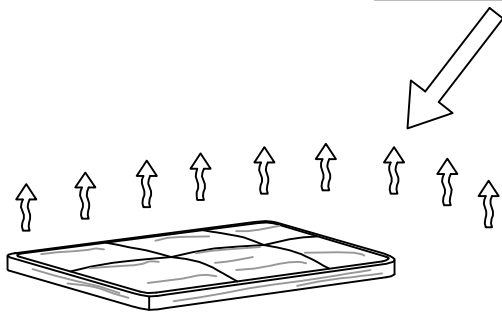
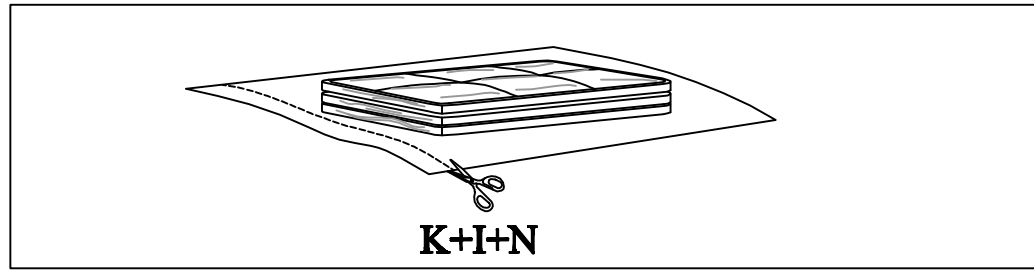
Step 5:



Step 6:

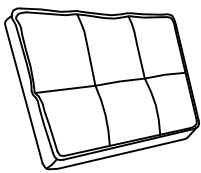
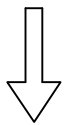


Step 7:

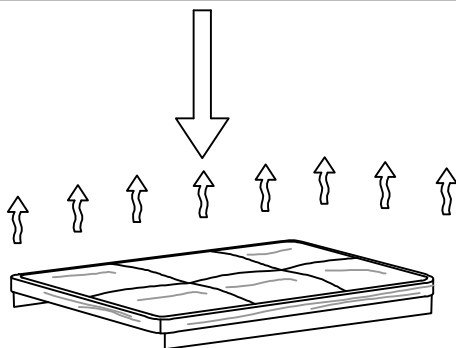


K*1

Please wait for 72 hours

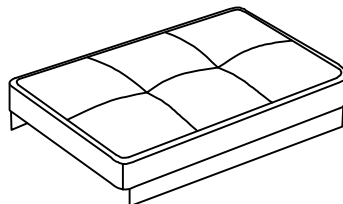
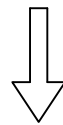


K*1

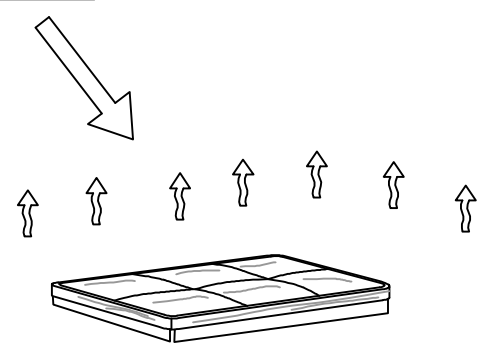


I*1

Please wait for 72 hours

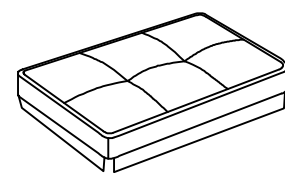
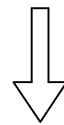


I*1



N*1

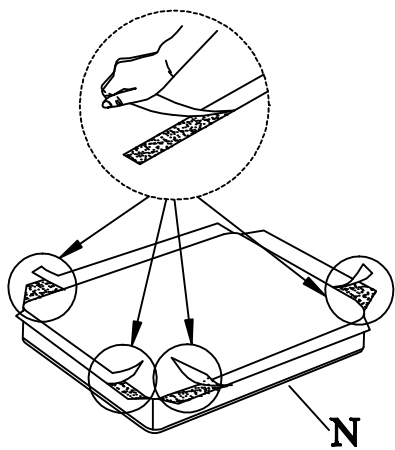
Please wait for 72 hours



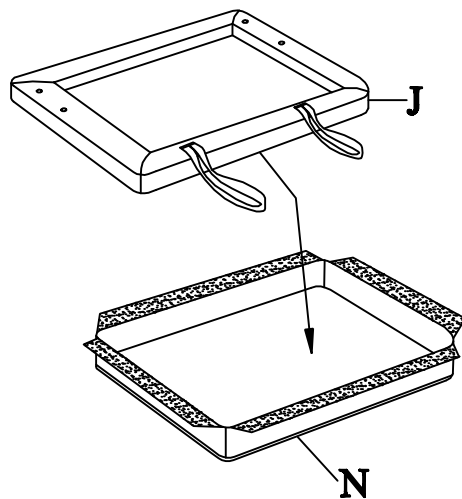
N*1

Step 8:

Touch fastener

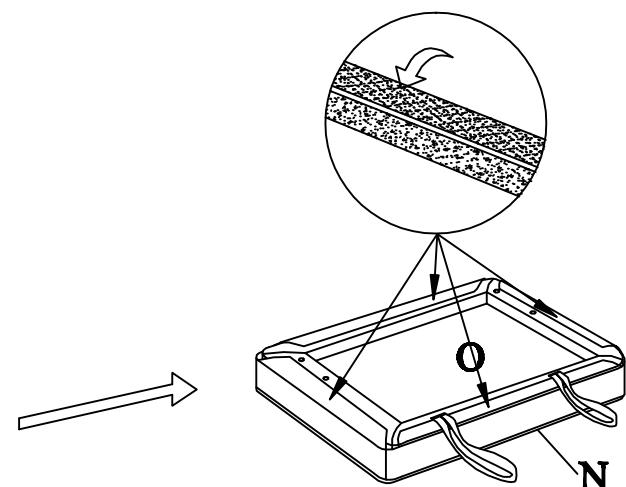


Step 9:



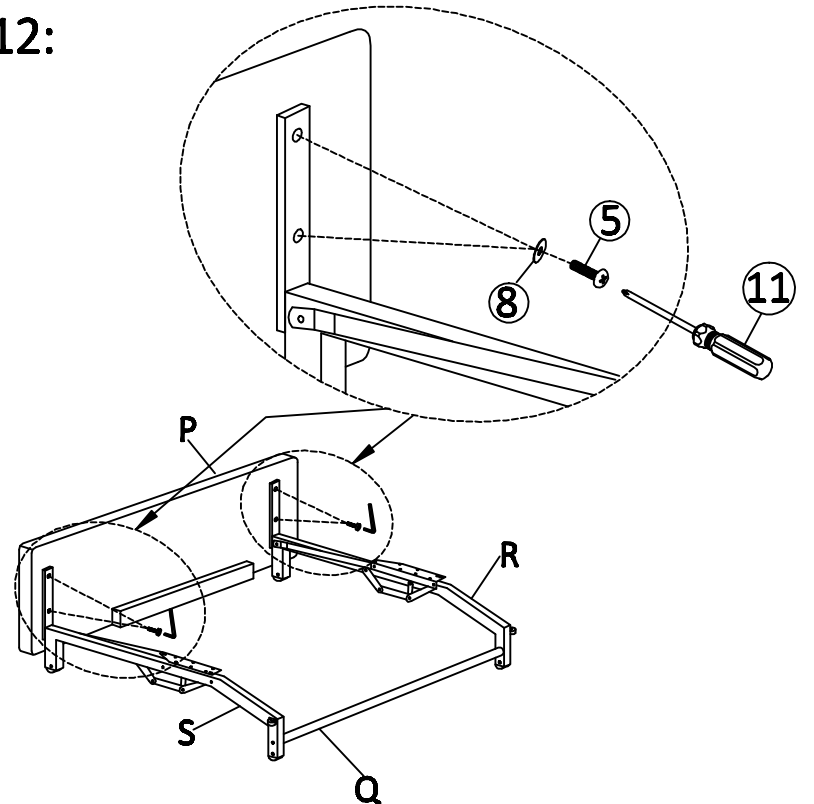
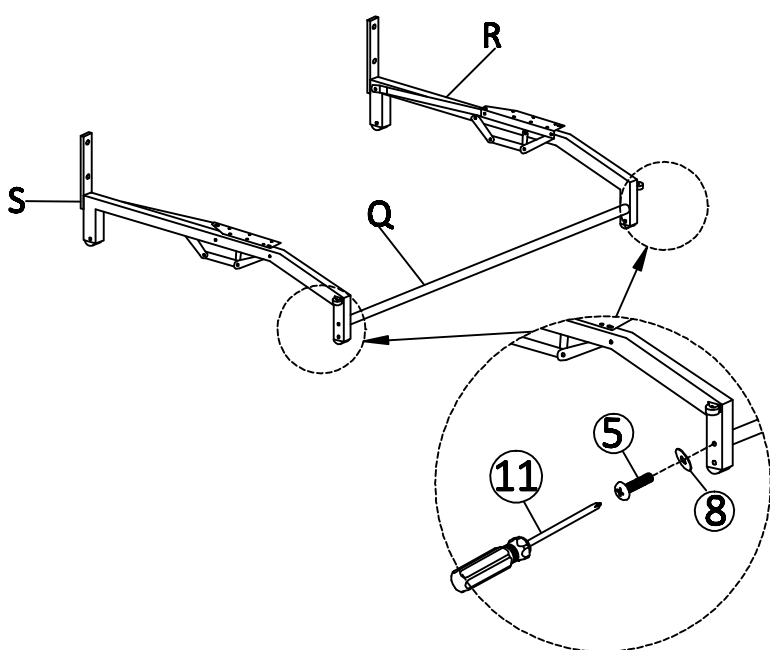
Step 10:

Touch fastener

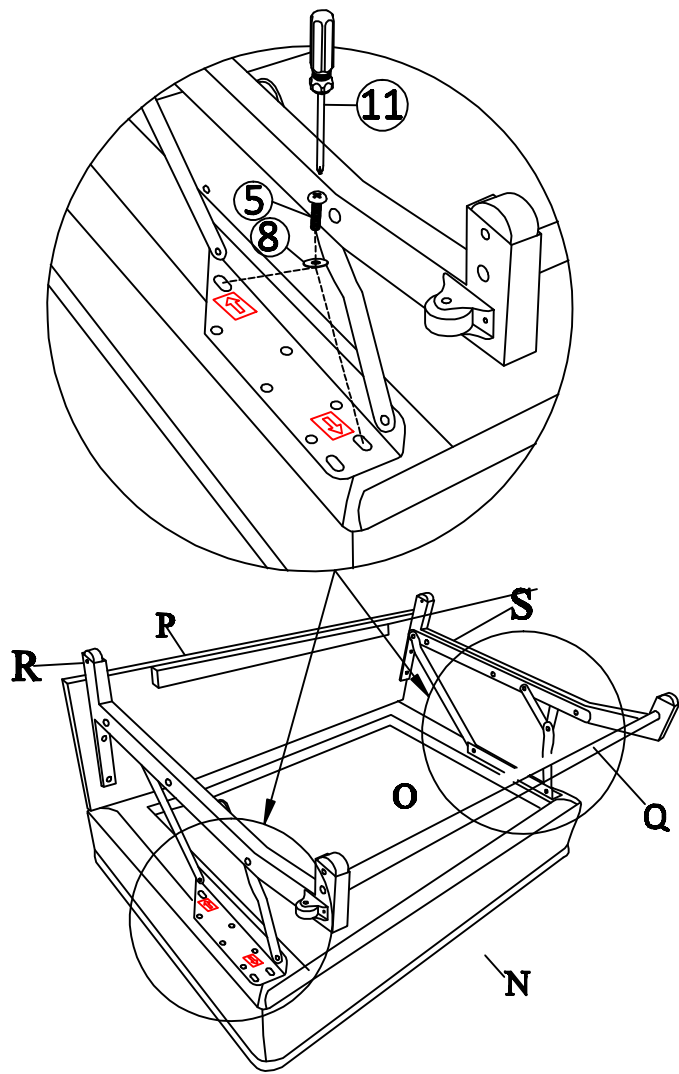


Step 11:

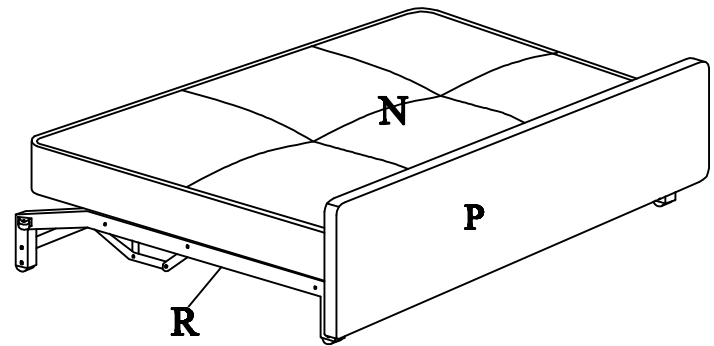
Step 12:



Step 13:



Step 14:

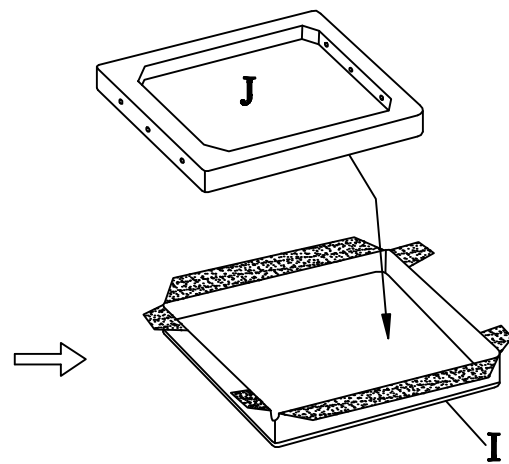
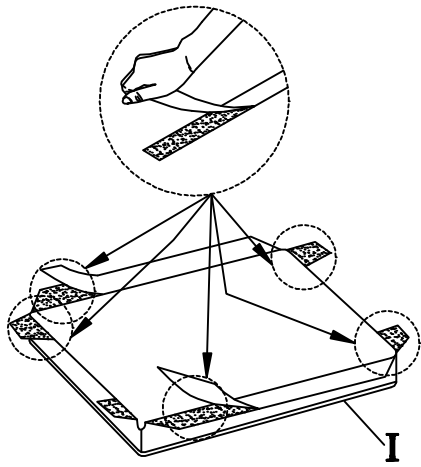


Step 15:

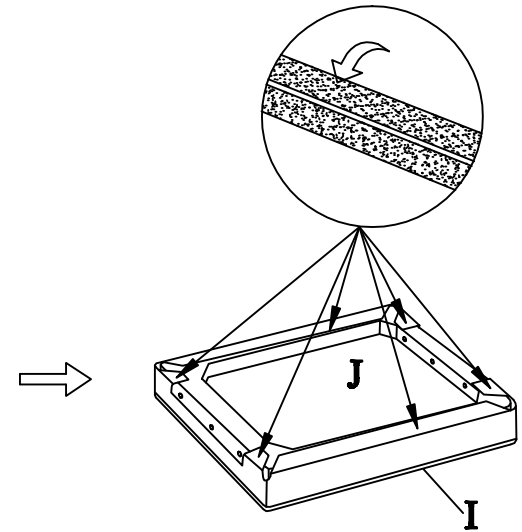
Step 16:

Step 17:

Touch fastener

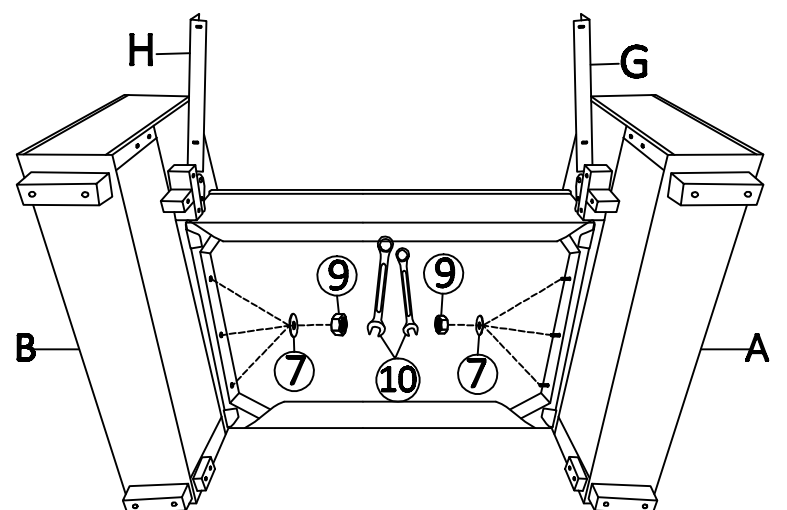
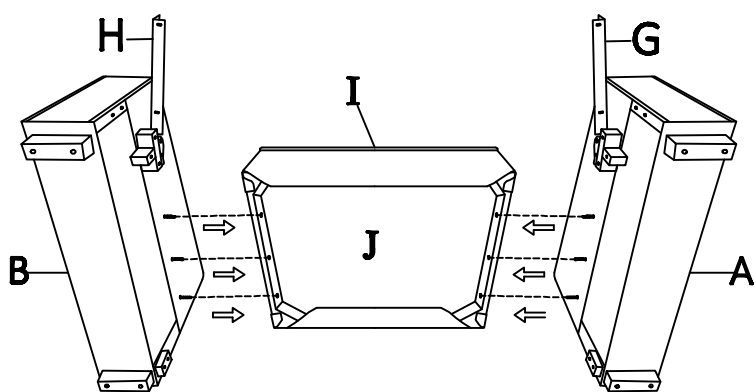


Touch fastener

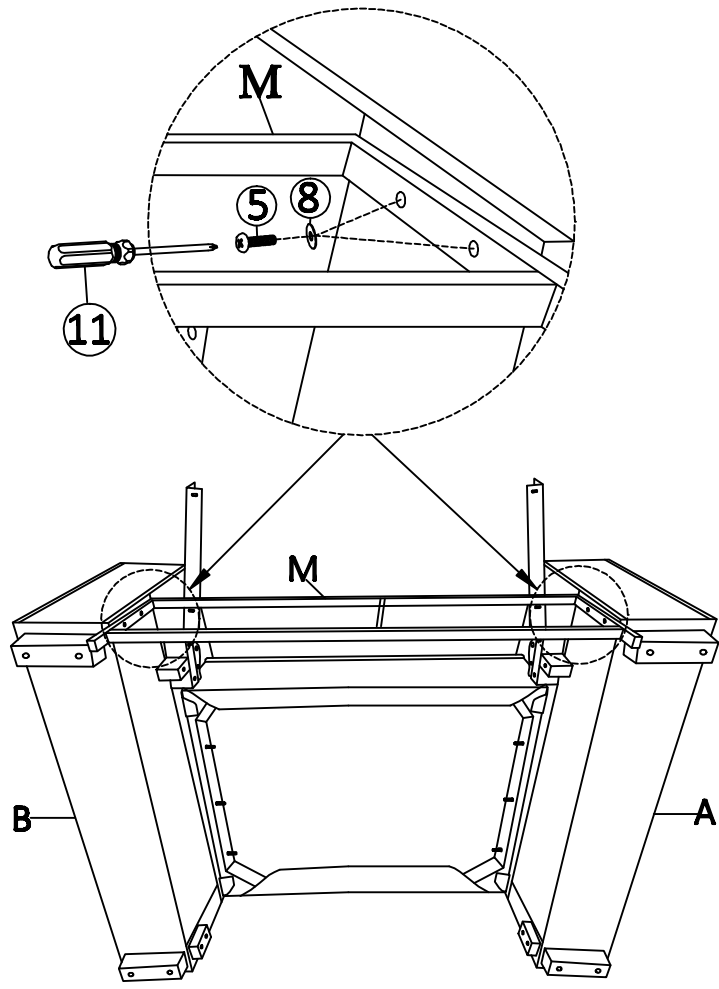


Step 18:

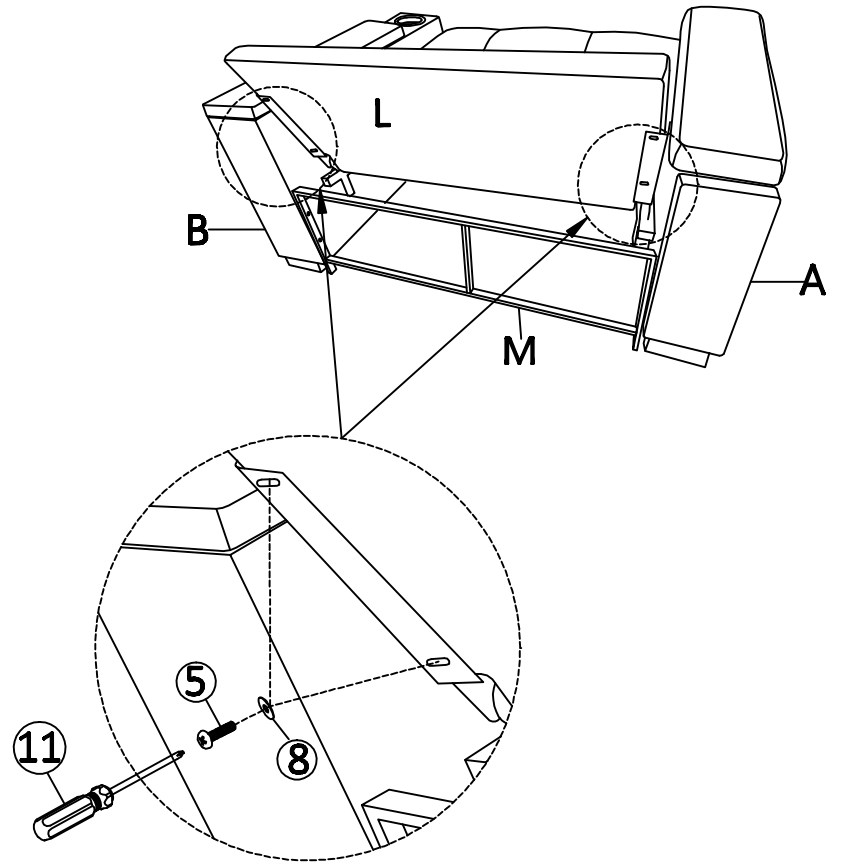
Step 19:



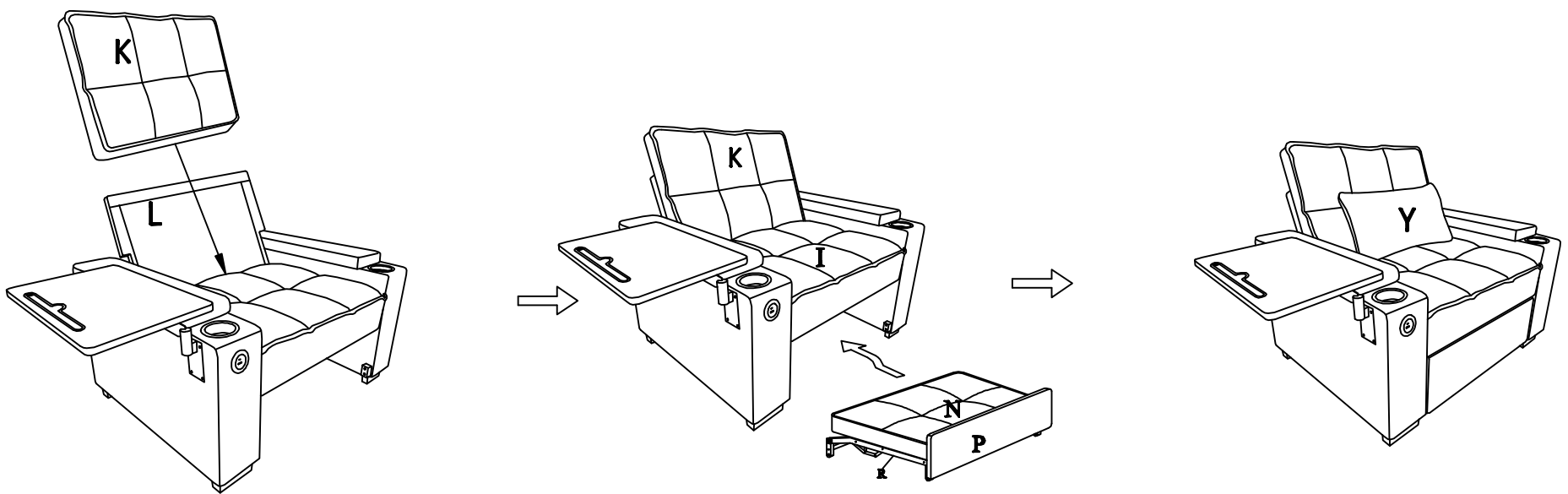
Step 20:



Step 21:



Step 22:



Step 23:

