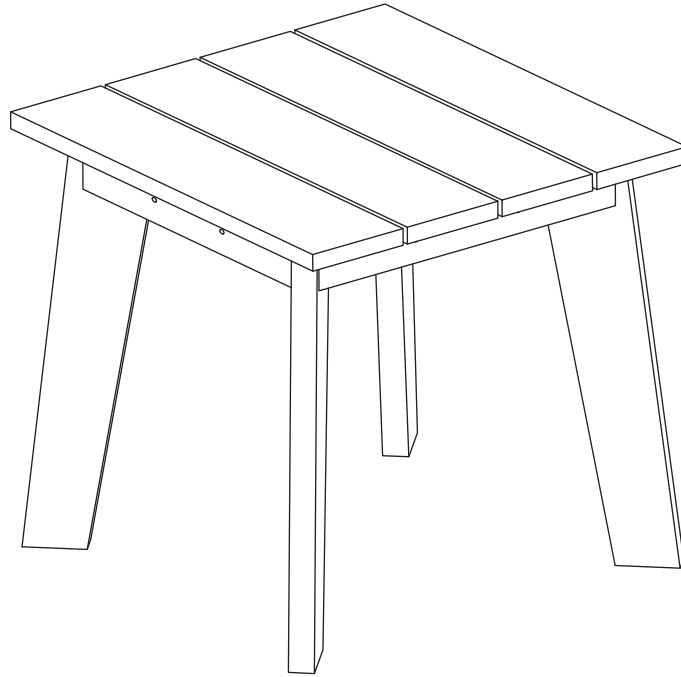


ADIRONDACK SIDE TABLE



Assembly Consideration

Do not overtighten screws(Screw in all screws before tighten them)

Follow Assembly Instructions Step by Step

Do not discard original packaging if your received items damaged or with missing parts

Count all Hardware parts before starting assembly

Assemble items in a clear area and away from clutter to avoid misplacing assembly items



Safety Precautions

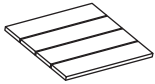
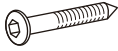


Avoid Using strong powertools to help prevent parts from cracking when assembly

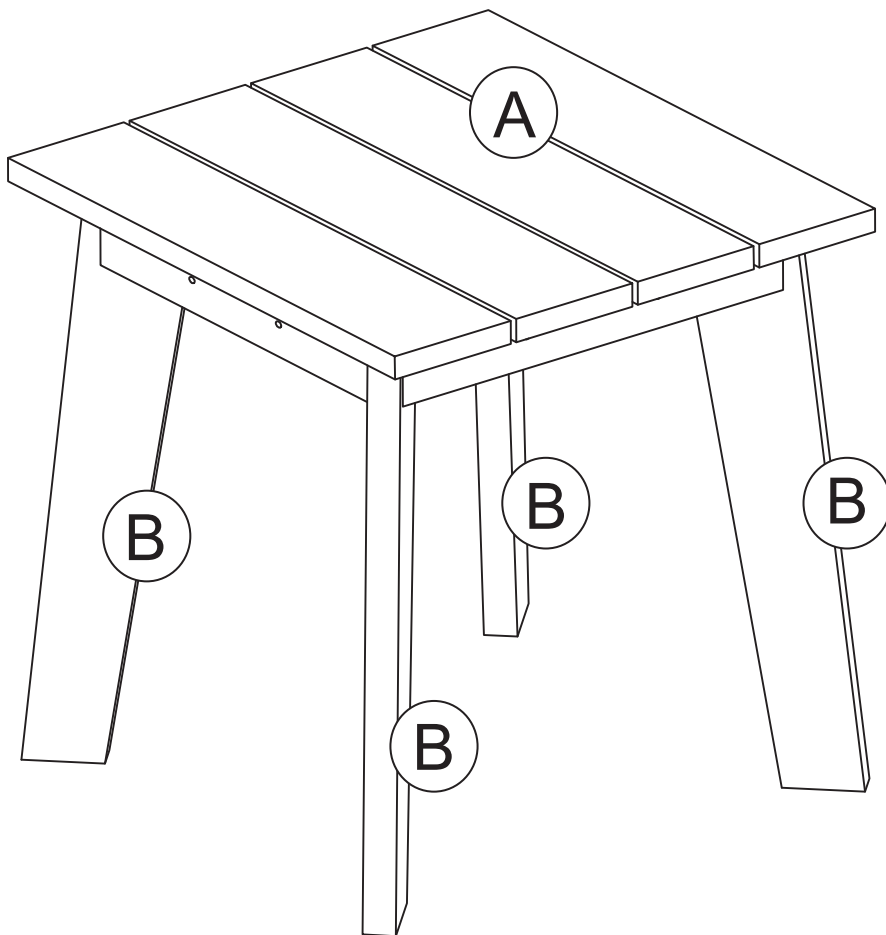
Weight Capacity: 70 kg / 150lbs



Customer Service

hello.hdpe@gmail.com

A		1PC	1	 M6.3x50 mm	8PCS
B		4PCS	2		1PC



STEP1:

