

WARNING

WE RECOMMEND INSTALLATION OF THIS LIGHTING FIXTURE BE DONE BY A LICENSED ELECTRICIAN.
WARNING *** SWITCH OFF THE MAIN ELECTRICAL SUPPLY FROM THE MAIN FUSE BOX/CIRCUIT BREAKER BEFORE INSTALLATION.
INSPECT ITEM CAREFULLY BEFORE ATTEMPTING TO INSTALL. IF THERE IS ANY DAMAGE OR OBVIOUS DEFECT, DO NOT INSTALL. ITEM MAY NOT BE RETURNED ONCE IT HAS BEEN INSTALLED.

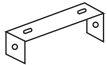

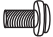

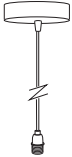

CARE AND MAINTENANCE

Unplug lamps before using any cleaning solutions. Dust shades with a feather duster or with an appropriate vacuum-brush attachment. Wipe with a soft, dry cloth and clean lamp bases with the methods appropriate to the material. Avoid the use of chemicals and household cleaners as they may damage the finish.

NOTICE& IMPORTANT SAFETY INSTRUCTIONS

- * Please make sure that you have all parts indicated before you begin assembly of this item
- * This item should be assembled on a soft surface to prevent scratching the finish during assembly
- * To reduce the risk of fire, electrical shock or injury to persons or property, please follow the guideline below for safe use and installation
- *The external flexible cable or cord of this luminaire cannot be replaced;
If the cord is damaged, the luminaire shall be destroyed

Part List and Hardware List

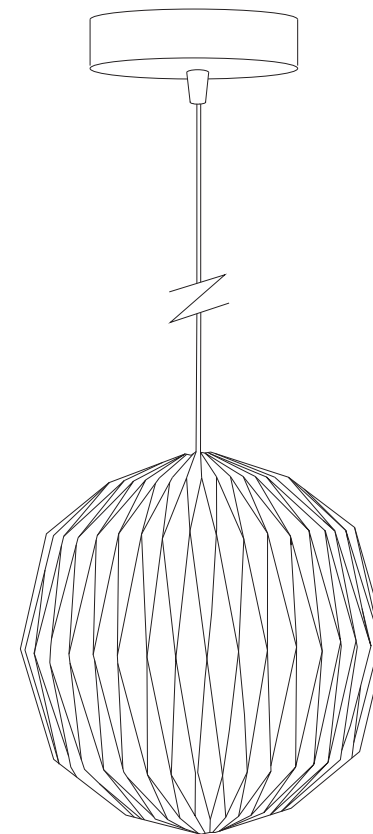
PIECE	DESCRIPTION	PICTURE	QUANTITY	PIECE	DESCRIPTION	PICTURE	QUANTITY
A	Mounting Plate		1X	D	Harp		1X
B	Mounting Screw		2X	E	Light Bulb		1X
C	Canopy Set		1X	F	Shade		1X

JY

JONATHAN Y

Model# JYL9101

Product Dimensions: 15.75 Lx15.75 W x16.14 H



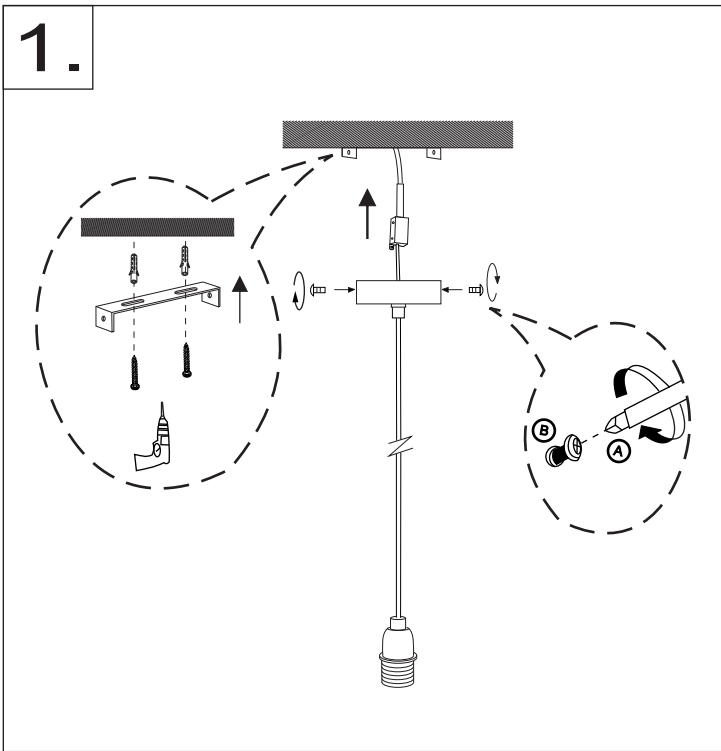
PREPARATION

Before beginning assembly of product, make sure all parts are present. Compare parts with package contents list and hardware contents list. If any part is missing or damaged, do not attempt to assemble the product.

Estimated Assembly Time: 6 minutes.

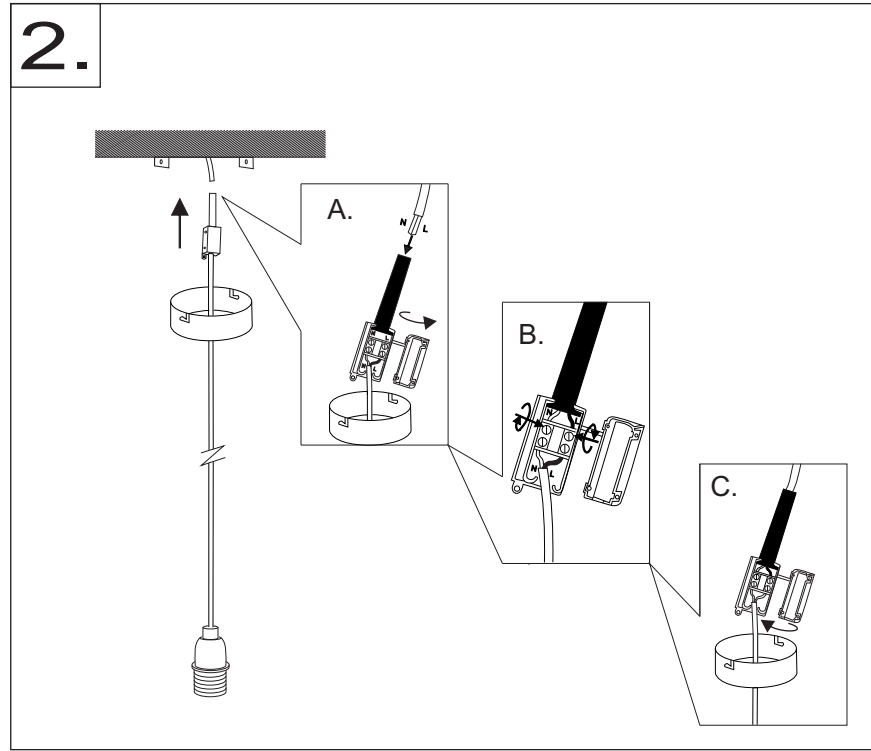
If there are any questions relating to defects, missing parts, assembly issues, replacements, or device connectivity issues, please send a detailed email to cs@jonathany.com

A E26 LED 9W A19 BULB IS INCLUDED IN THE BOX



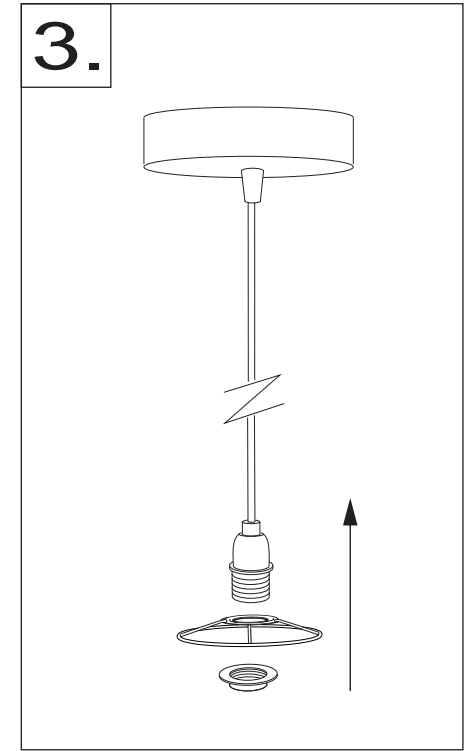
Step 1

Fix mounting Plate(A) with the help of mounting screw (B) on the ceiling and assemble the canopy set (C) .



Step 2

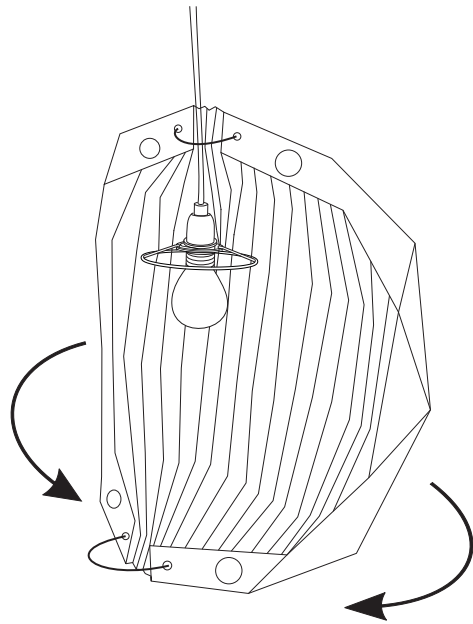
Connect Neutral (N) and live (L) wire of canopy set with Neutral (N) and live (L) wire of ceiling power supply.



Step 3

Slide metal harp on the threaded lampholder and tighten the shade ring to keep it in place. The distance protector harp is now ready.

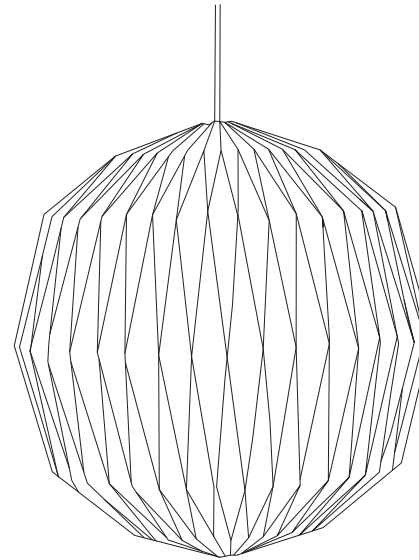
3.



Step 3

Carefully fix the bulb. Bring both edges of lampshade with magnets to close the shade in shape. Please overlap the flaps with magnets to avoid open space and to keep magnets hidden.

4.



Step 4

Assembled lantern is ready to lit up. Magnets should be detached softly .

ENJOY YOUR LAMP