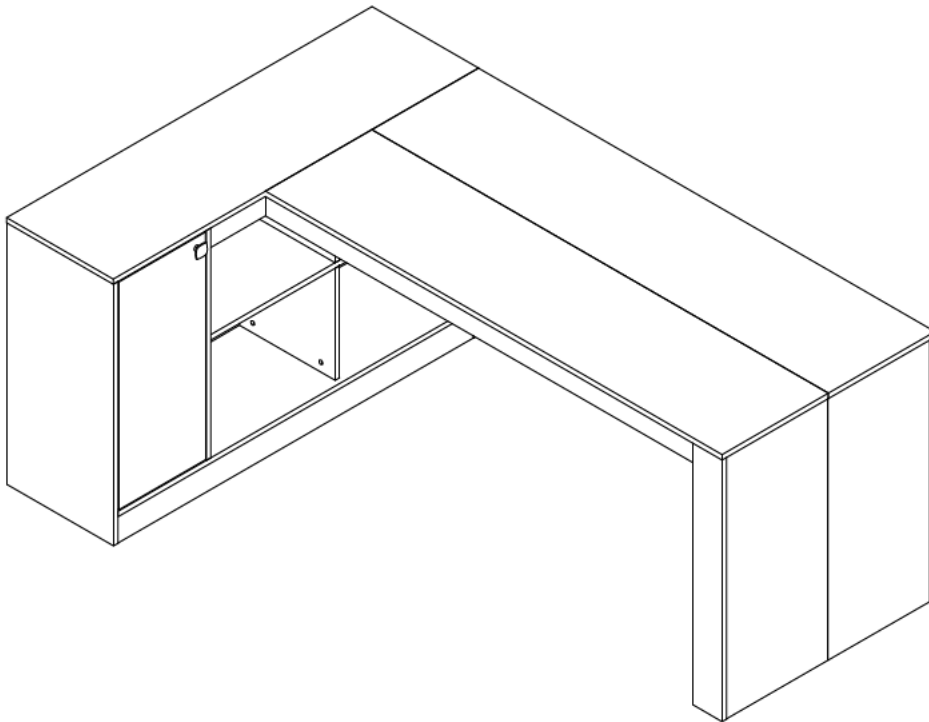


# Assembly Instructions



---

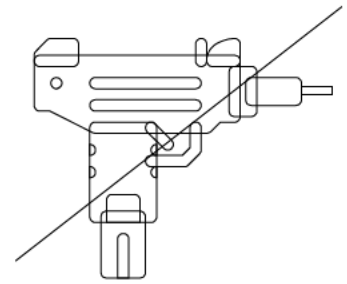
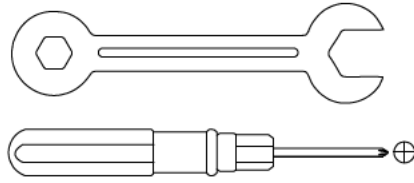
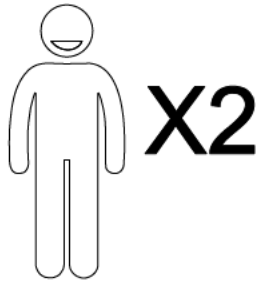
Corner table with cabinet

---

**Your satisfaction is our top priority. If you encounter any issues with this product, such as missing or damaged parts, we're here to help. Please retain the original packaging and take photos of the packaging and the product, then contact us as soon as possible.**

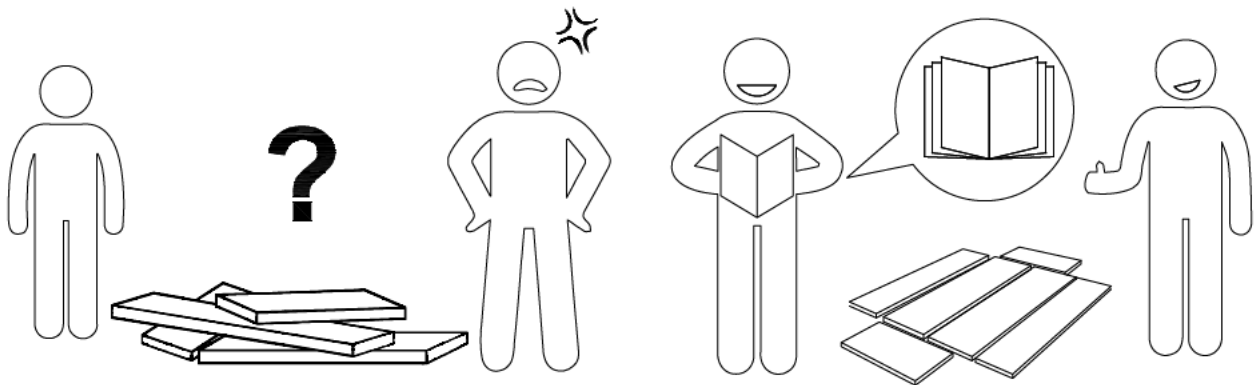
## **Warm Tips**

- 1. Carefully read these instructions and keep them for future reference.**
- 2. Check the parts list and confirm everything's there before starting assembly.**
- 3. When assembling, put all parts on a soft, smooth surface like a carpet to avoid scratches.**
- 4. Don't fully tighten screws until all parts are confirmed in place to avoid misalignment.**



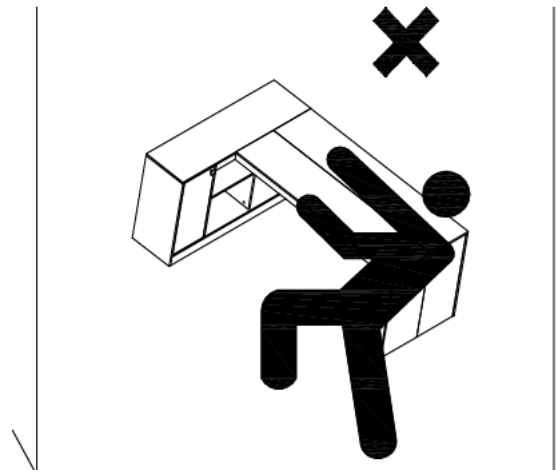
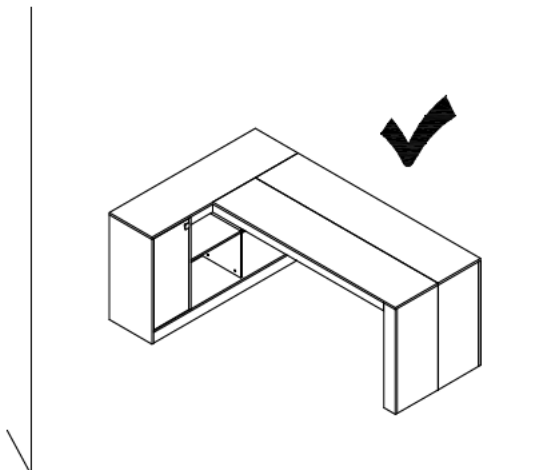
**We recommend using hand tools for assembly.**

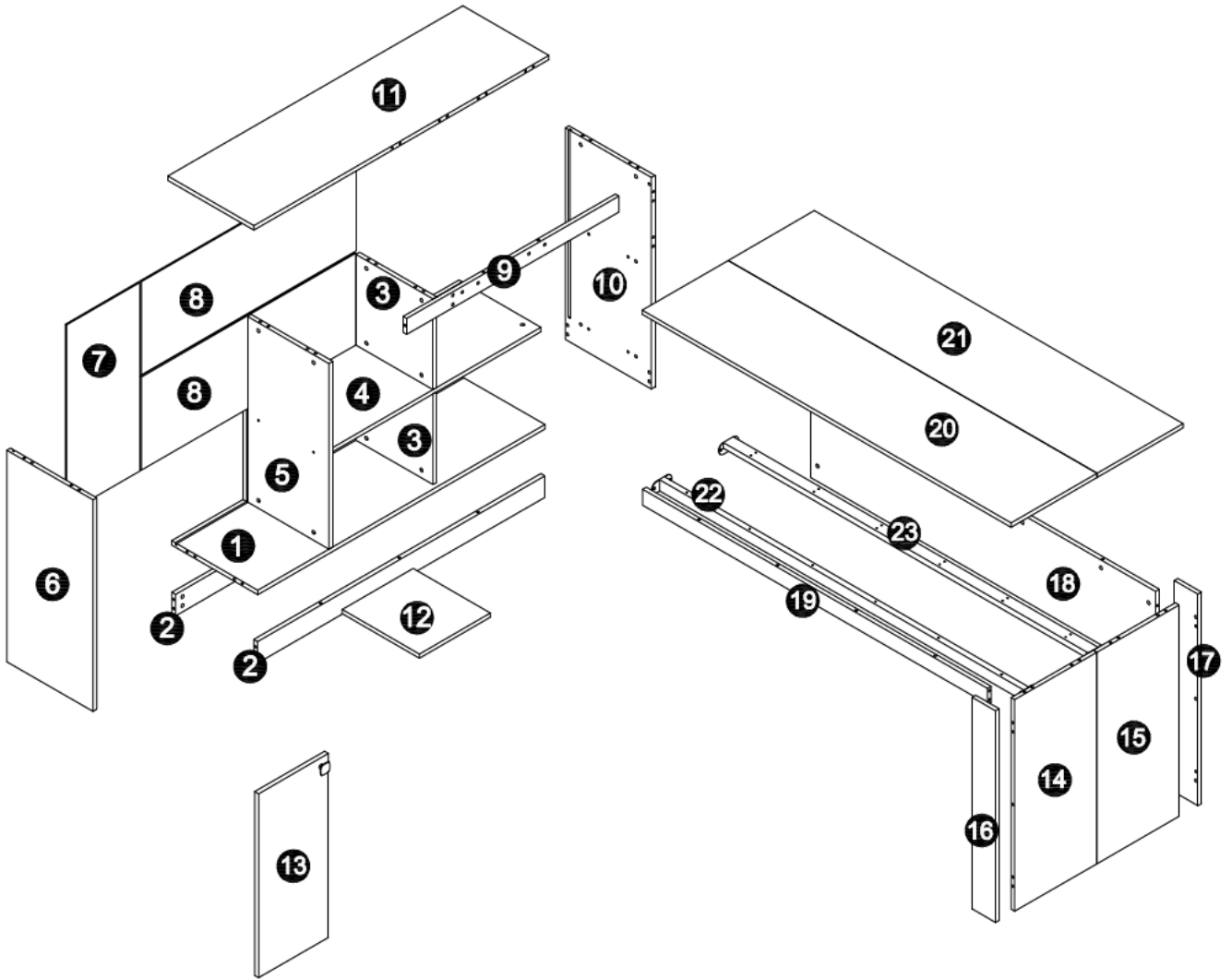
**If an electric screwdriver is used, reduce power and torque to avoid damage to the product.**



## **Install the Anti-Tip Straps**

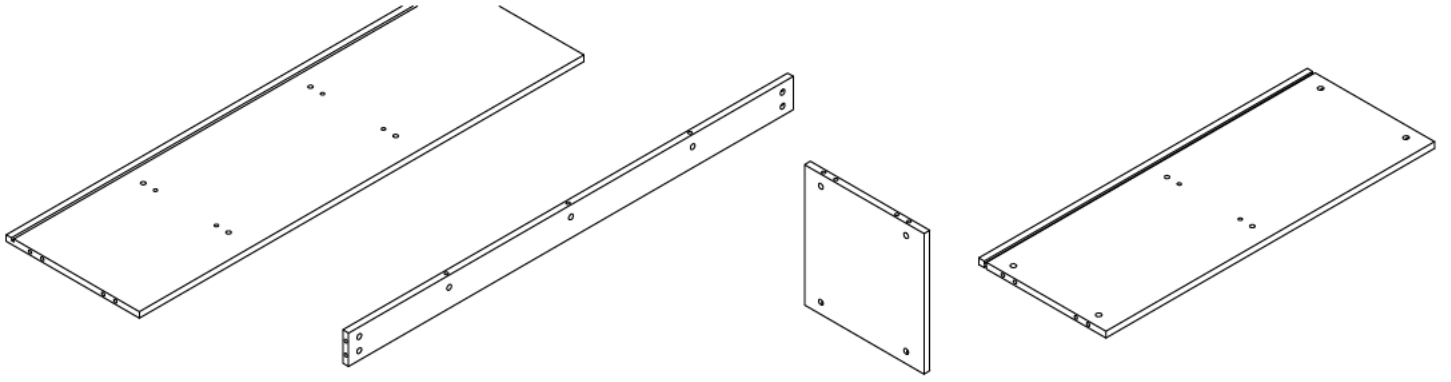
**Using the anti-tip straps can reduce the risk of tipping over, but can not eliminate it.**





**⚠ Caution**

Make sure all parts are included. Most board parts are labeled or stamped on the raw edge. Contact us for a free replacement if you encounter any damaged or missing parts.

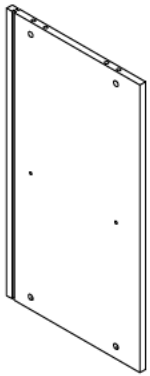


**1** 1pc

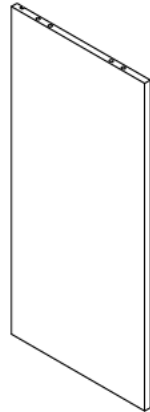
**2** 2pcs

**3** 2pcs

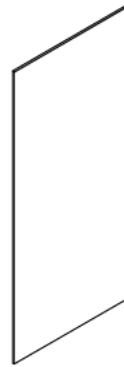
**4** 1pc



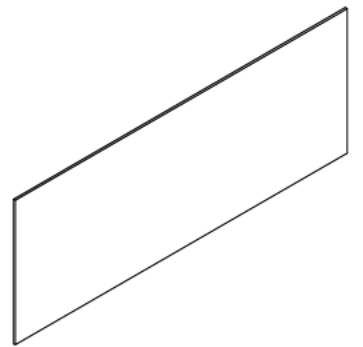
**5** 1pc



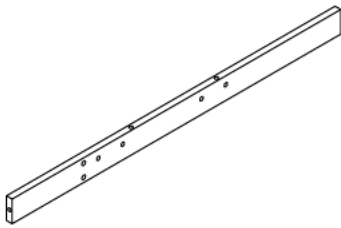
**6** 1pc



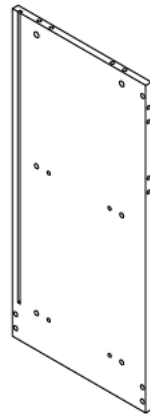
**7** 1pc



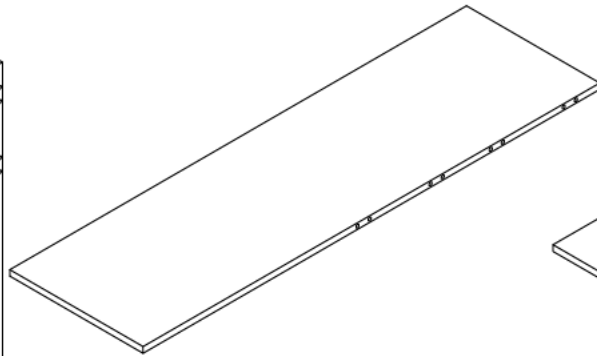
**8** 2pcs



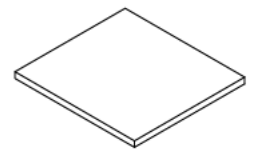
**9** 1pc



**10** 1pc



**11** 1pc



**12** 1pc



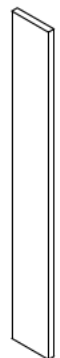
**13** 1pc



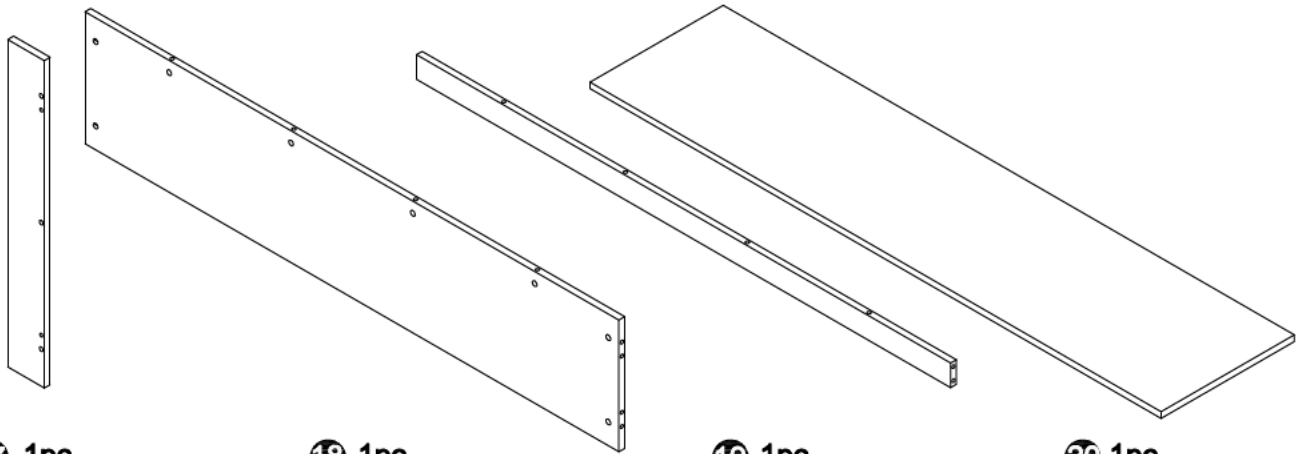
**14** 1pc



**15** 1pc



**16** 1pc

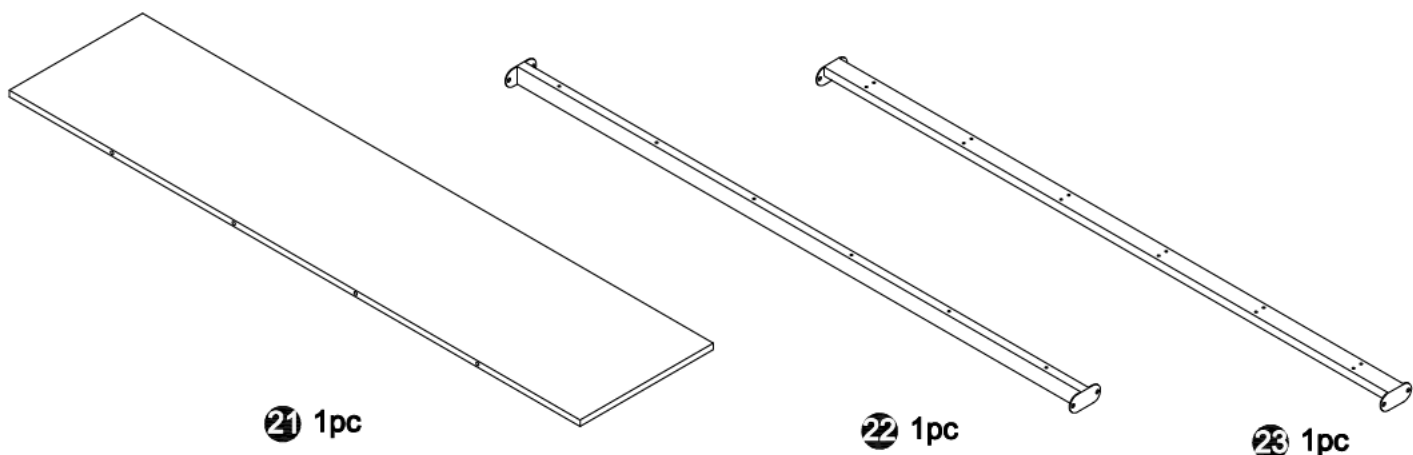


17 1pc

18 1pc

19 1pc

20 1pc

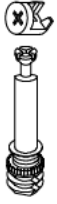






















21 1pc

22 1pc

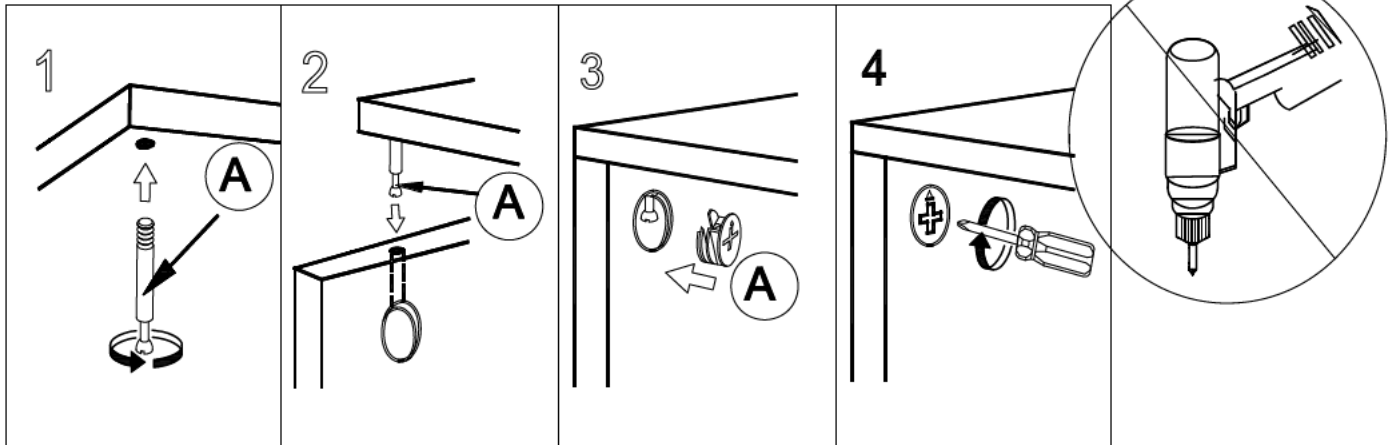
23 1pc

# Hardware List

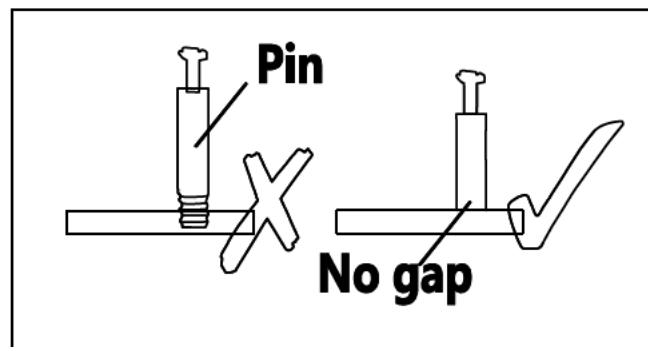
 <p><b>M6X35MM</b></p> <p><b>A</b></p> <p>58+2pcs</p>	 <p><b>Ø8X30MM</b></p> <p><b>B</b></p> <p>47+1pcs</p>	 <p><b>16X11X15MM</b></p> <p><b>C</b></p> <p>4pcs</p>	 <p><b>Ø4X18MM</b></p> <p><b>D</b></p> <p>1pc</p>	 <p><b>F X6</b></p> <p><b>E</b></p> <p>2pcs</p>	 <p><b>Ø3.5X14MM</b></p> <p><b>F</b></p> <p>24+1pcs</p>
 <p><b>14X12X10MM</b></p> <p><b>G</b></p> <p>12pcs</p>	 <p><b>H</b></p> <p>1pc</p>	 <p><b>Ø14X16MM</b></p> <p><b>I</b></p> <p>10pcs</p>	 <p><b>Ø3.5X50MM</b></p> <p><b>J</b></p> <p>6pcs</p>	 <p><b>Ø3.5X30MM</b></p> <p><b>K</b></p> <p>12pcs</p>	 <p><b>Ø6X12MM</b></p> <p><b>L</b></p> <p>8pcs</p>
 <p><b>Ø6X80MM</b></p> <p><b>M</b></p> <p>2pcs</p>	 <p><b>M6</b></p>  <p><b>M6</b></p> <p><b>N</b></p> <p>4pcs</p>	 <p><b>M6</b></p> <p><b>Wrench</b></p> <p><b>O</b></p> <p>2pcs</p>	 <p><b>M4</b></p> <p><b>P</b></p> <p>1pc</p>	 <p><b>M6X35MM</b></p> <p><b>Q</b></p> <p>14pcs</p>	 <p><b>Ø50</b></p> <p>4pcs</p> <p>Hole paste</p>
 <p><b>Ø18</b></p> <p>22pcs</p> <p>Hole paste</p>	 <p>Screwdriver</p>				

## Installation of Cams and Pins

Screw the pin into the hole. To set the cams correctly, ensure that the arrow on the cam is opening to the hole of the pin it is locking. Lock the cam by turning the cam head with a screwdriver until it is tightened. Please do not use an electric screwdriver to assemble the unit.



Read each step carefully before starting. It is very important that each step of instruction is performed in the correct order. If these steps are not followed in sequence, assembly difficulties will occur.

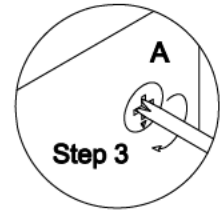
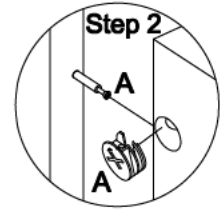
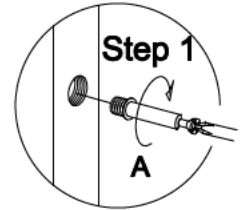
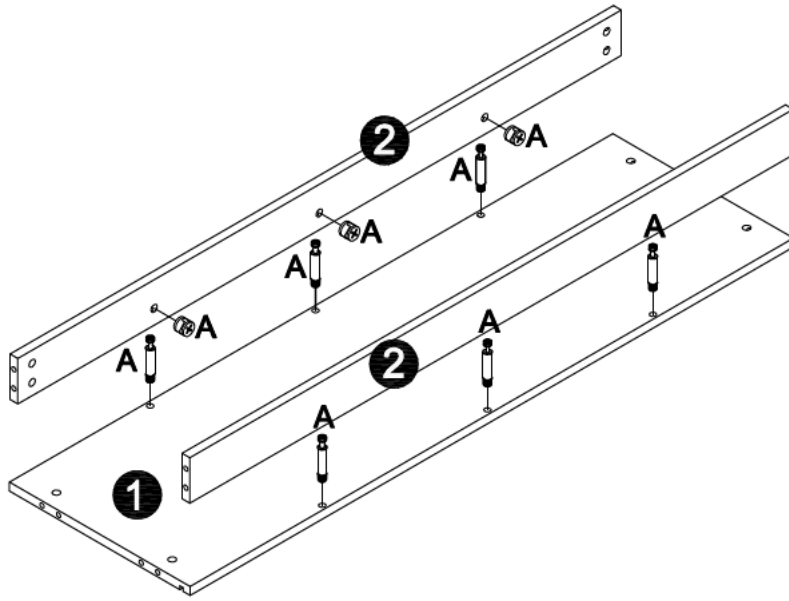


# 1

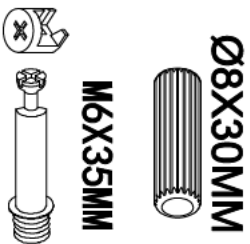
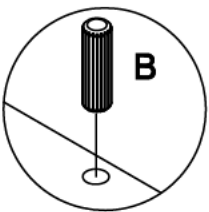


A

6pcs



# 2

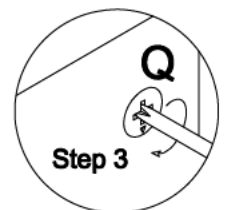
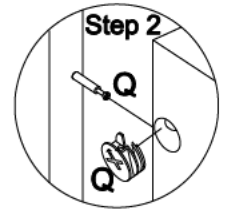
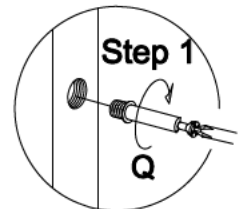
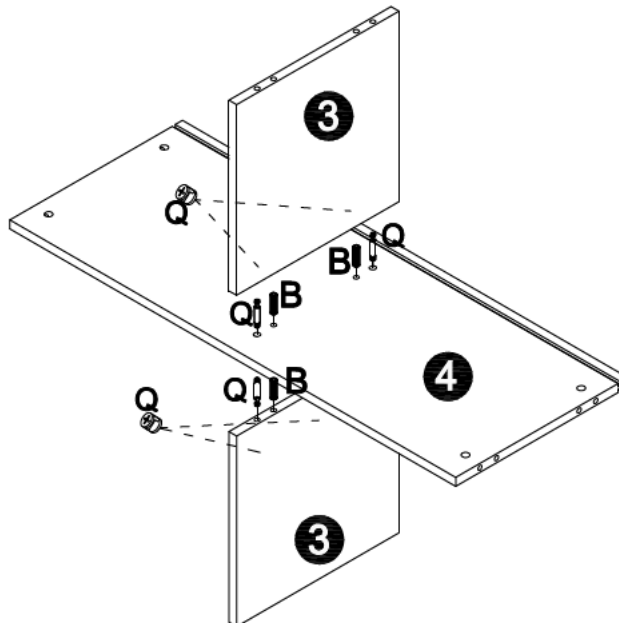


Q

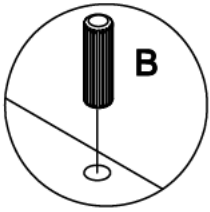
4pcs

B

4pcs



# 3

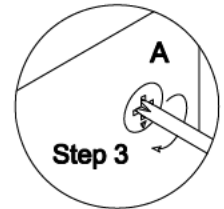
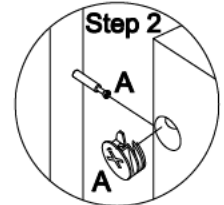
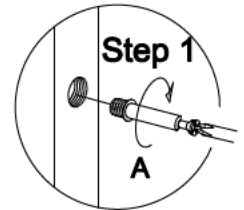
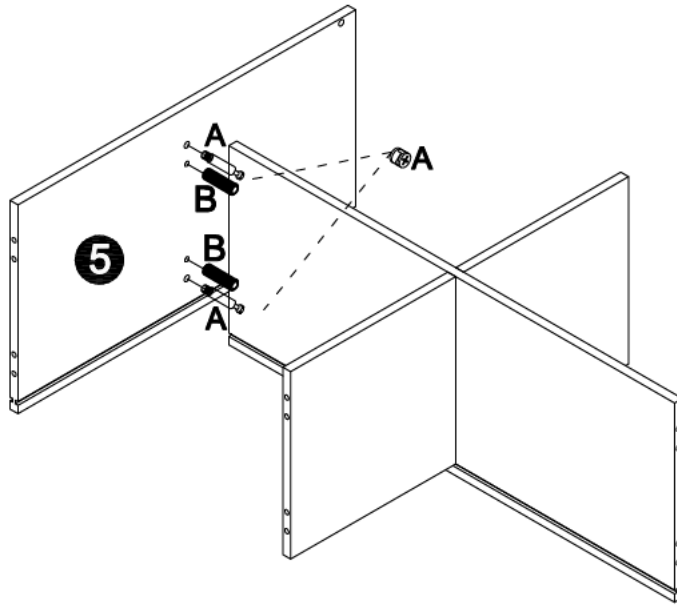


A

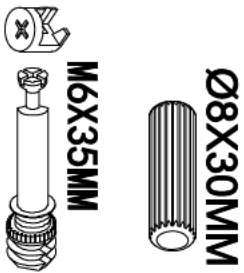
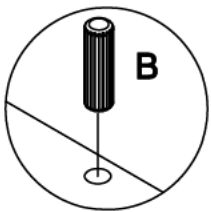
B

2pcs

2pcs



# 4

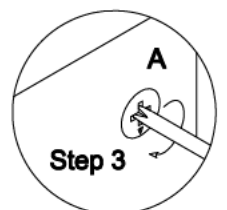
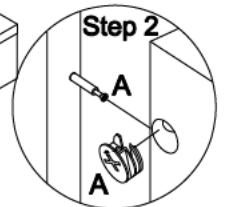
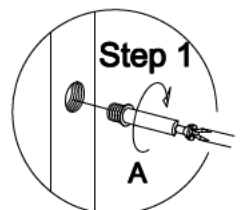
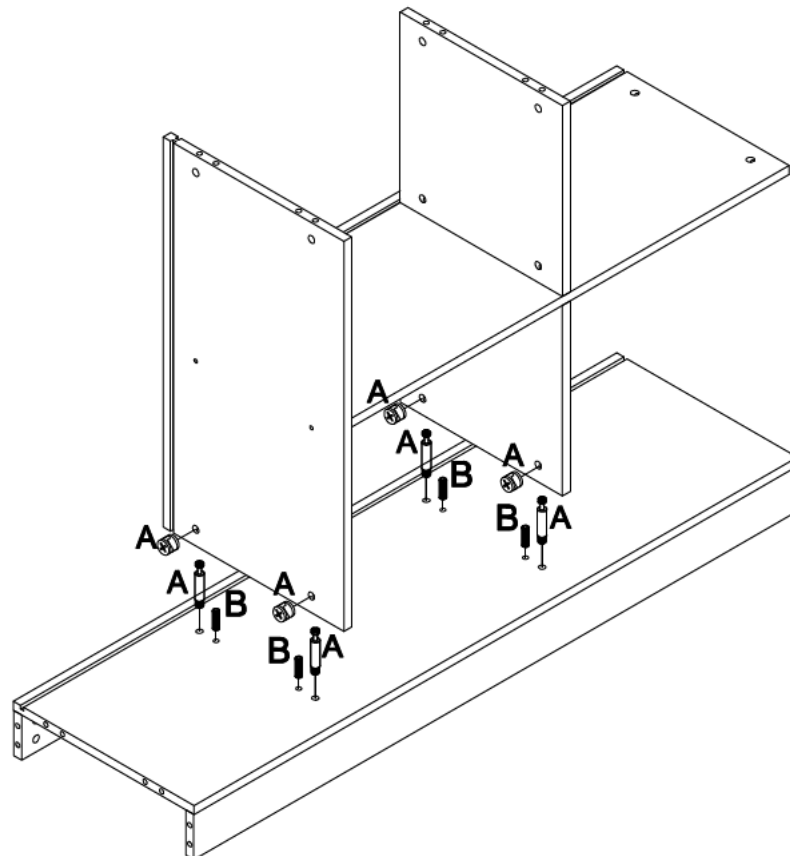


A

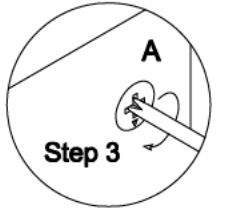
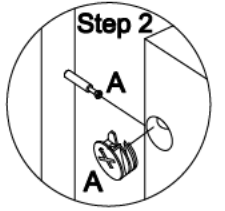
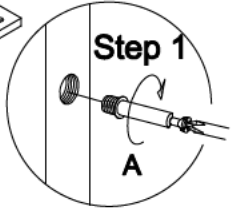
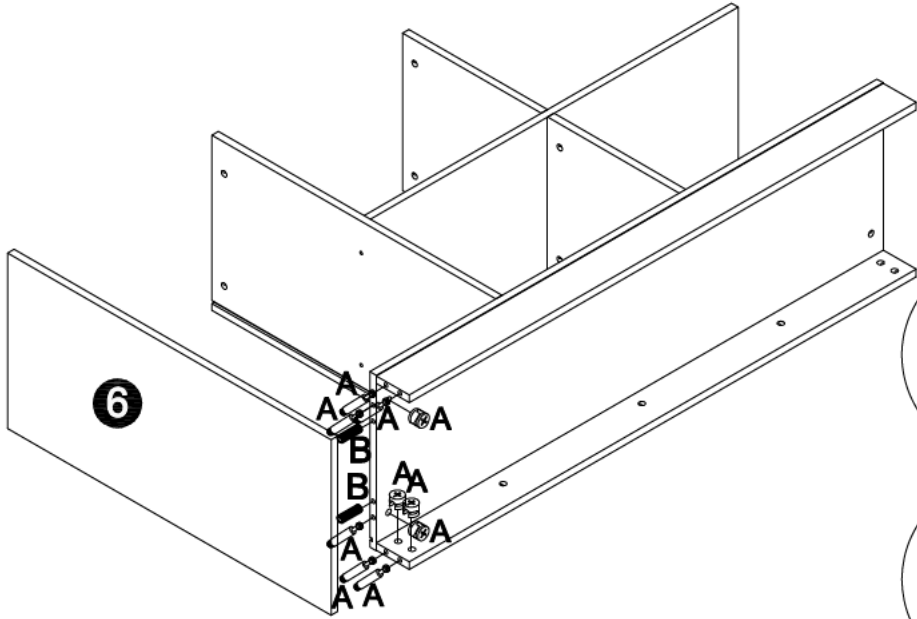
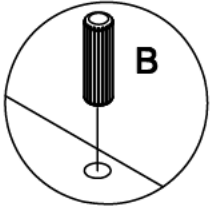
B

4pcs

4pcs



**5**



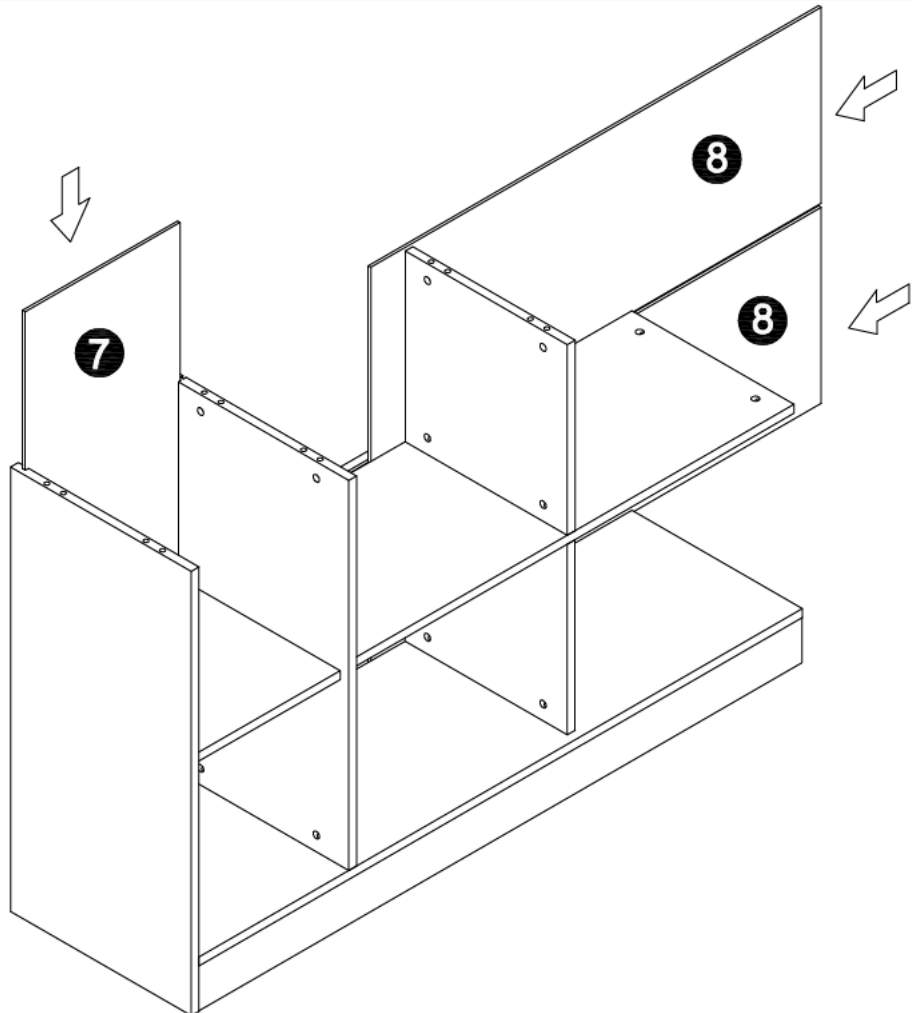
**A**

6pcs

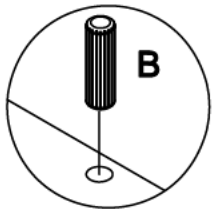
**B**

2pcs

**6**



# 7

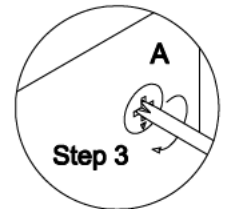
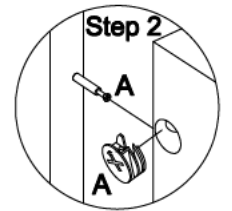
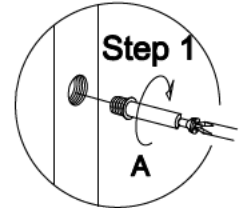
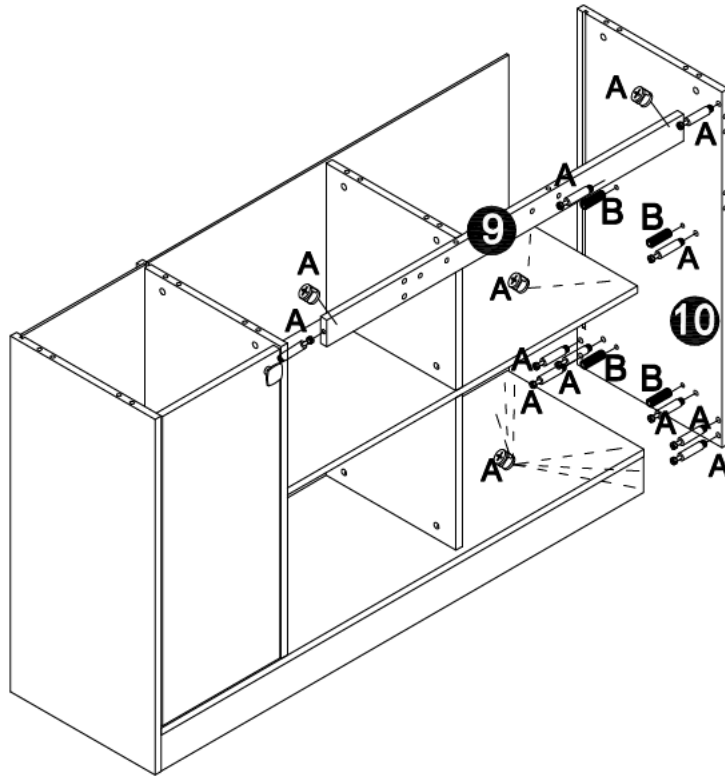


A

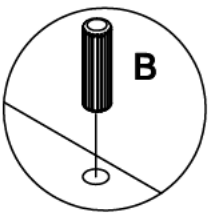
B

10pcs

4pcs



# 8

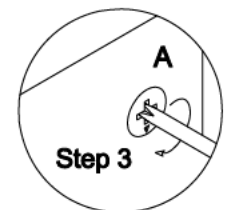
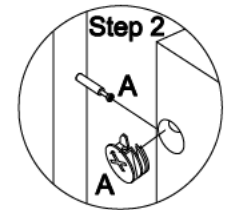
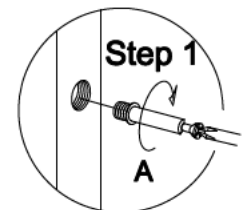
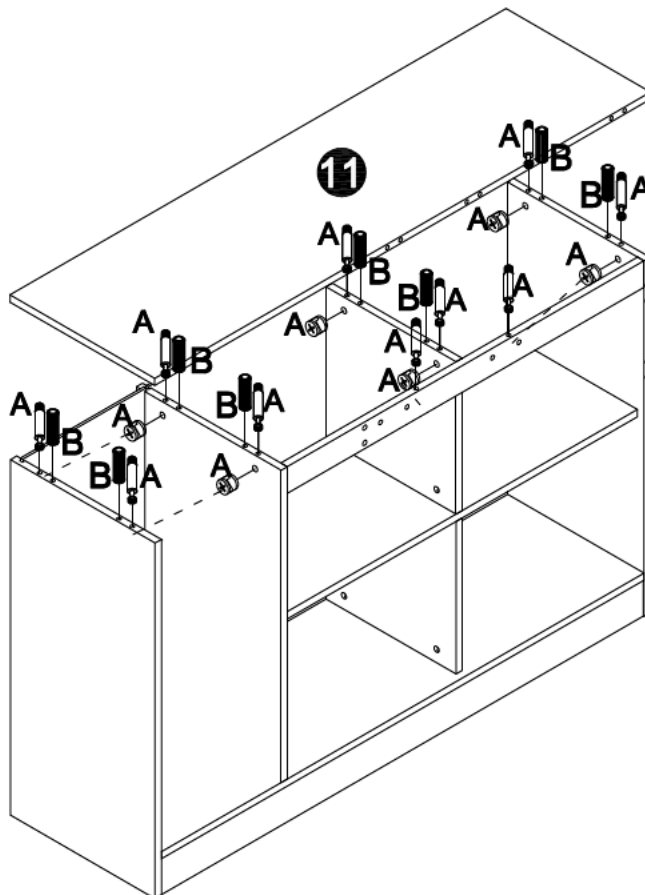


A

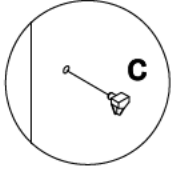
B

10pcs

8pcs



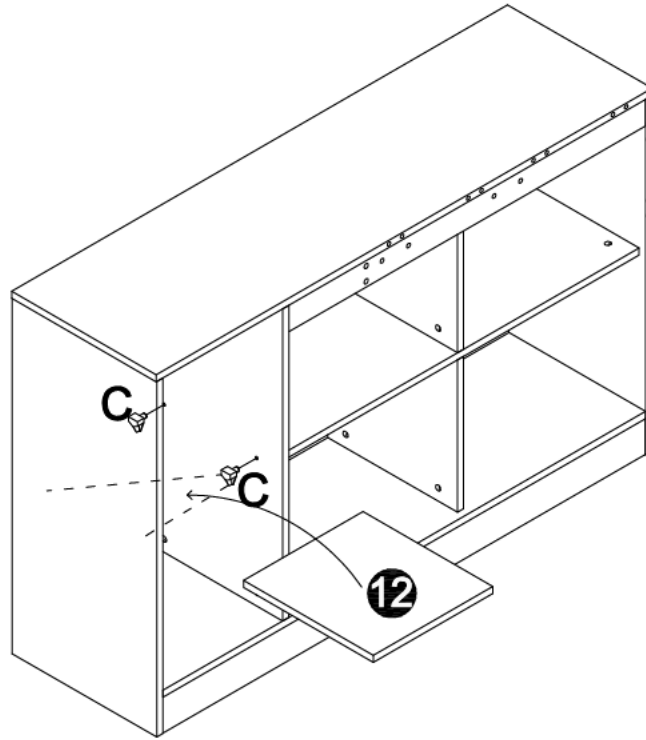
9



16X11X15MM

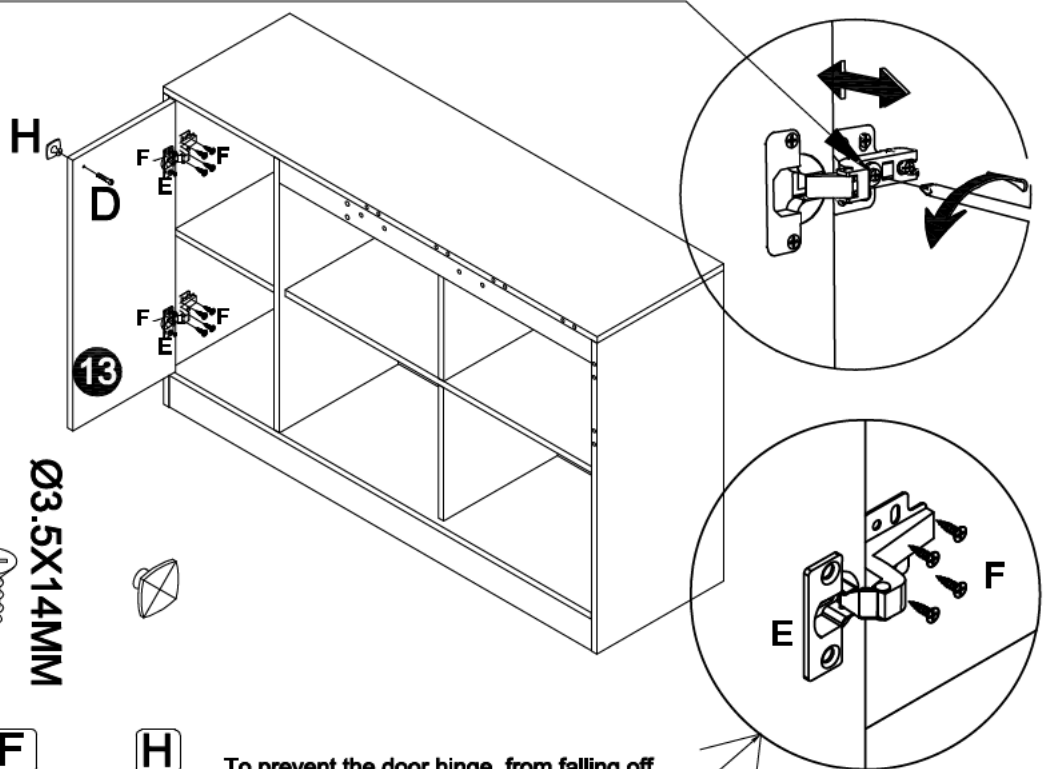
C

4pcs

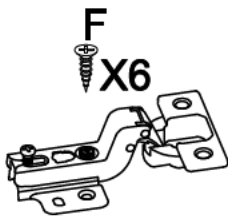


When adjusting the left and right sides of the door panel, this screw should not be loosened too much, otherwise it may easily damage the side panel or door panel

10



Ø4X18MM



F X6



Ø3.5X14MM



D

1pc

E

2pcs

F

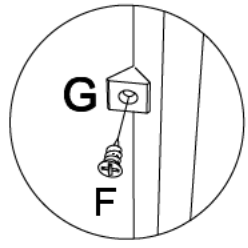
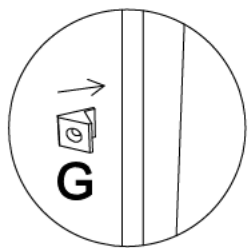
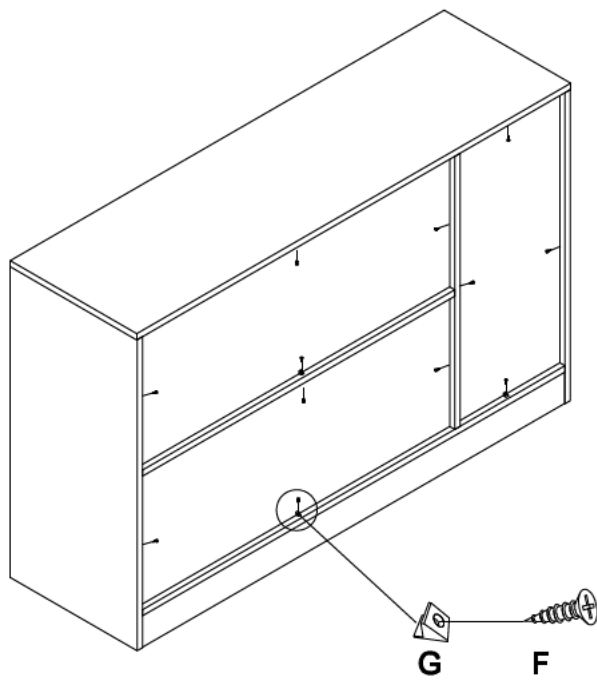
12pcs



H

1pc

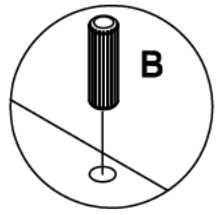
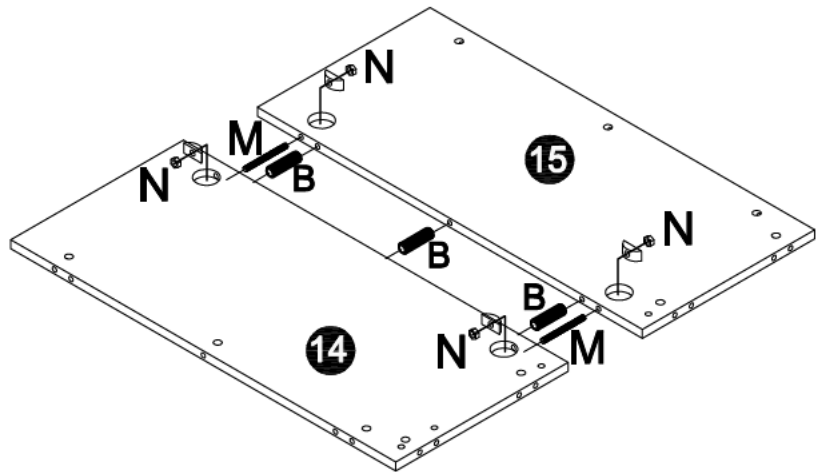
To prevent the door hinge from falling off, please install 4 screws





11

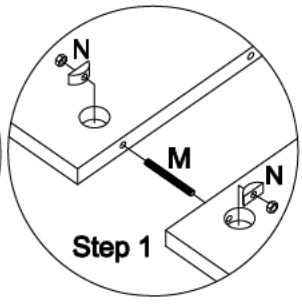
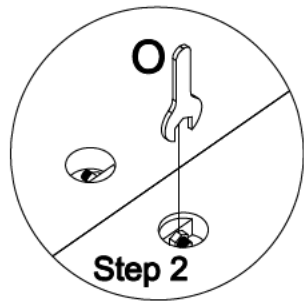


-  **14X12X10MM**
-  **Ø3.5X14MM**
- G**      **F**
- 12pcs    12pcs

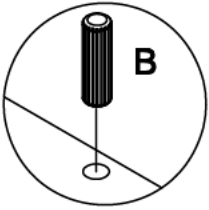
12



-  **Ø6X80MM**
-  **M6**
-  **Ø8X30MM**
-  **M6**
- M**      **N**      **B**
- 2pcs    4pcs    3pcs



13

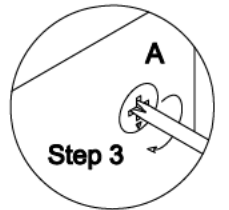
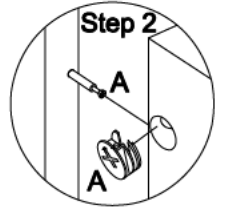
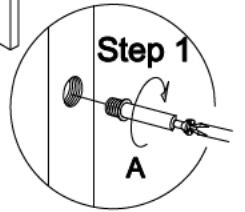
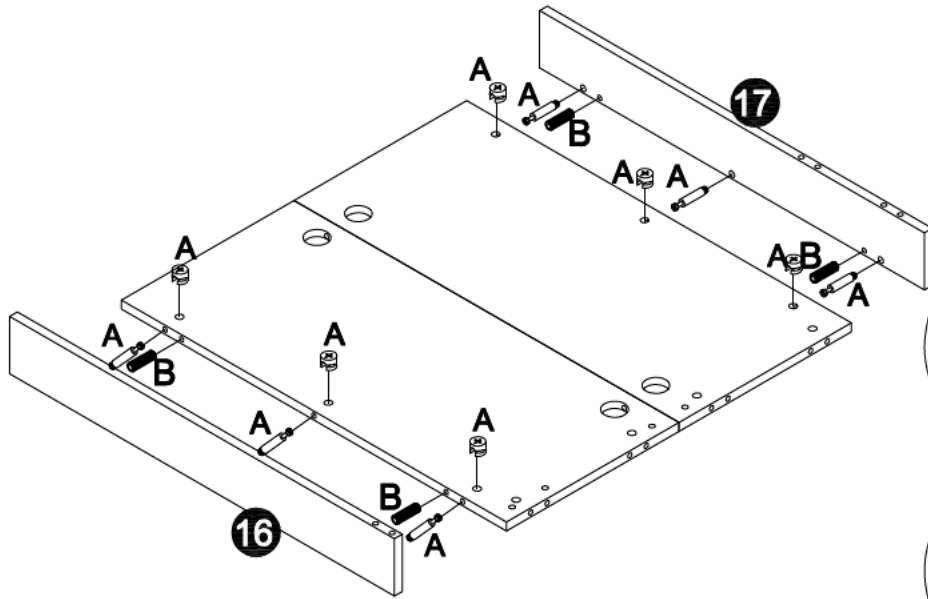


A

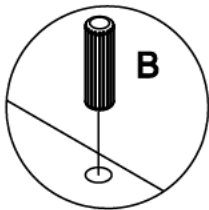
B

6pcs

4pcs



14

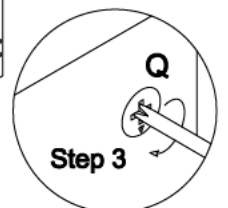
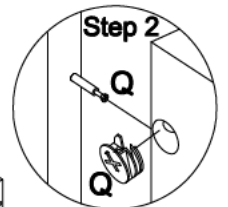
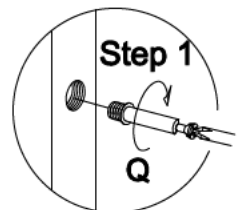
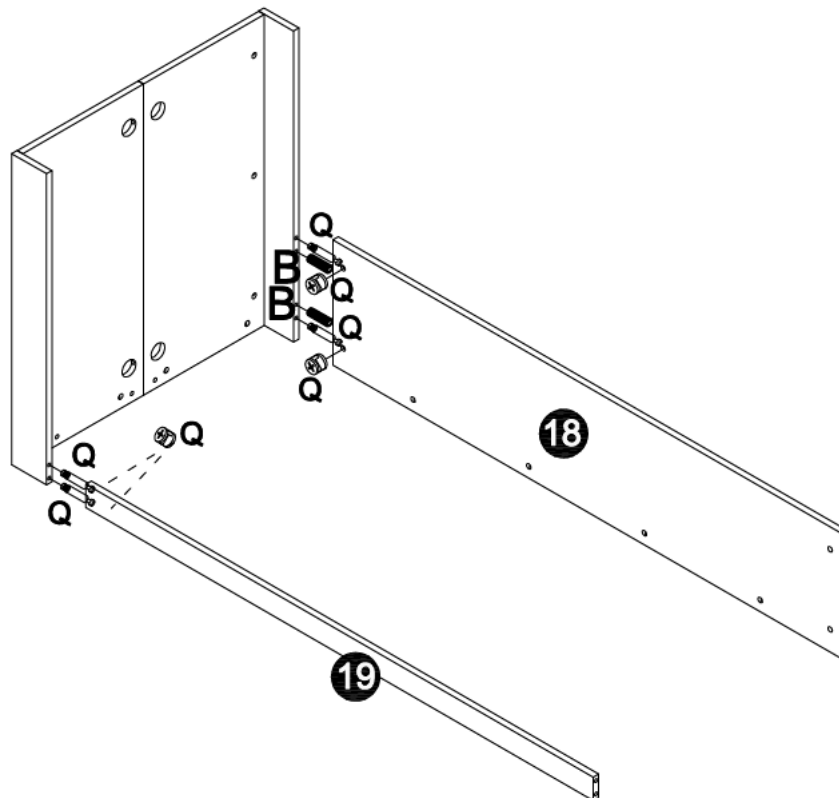


Q

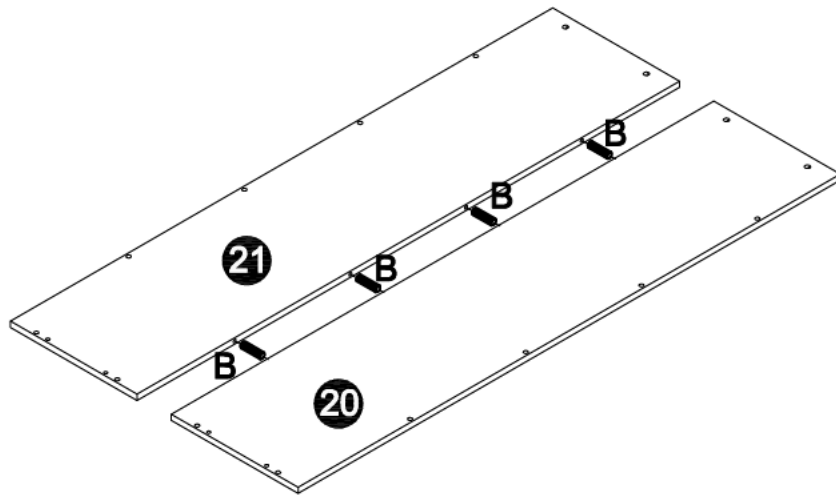
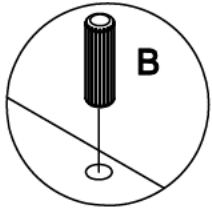
B

4pcs

2pcs



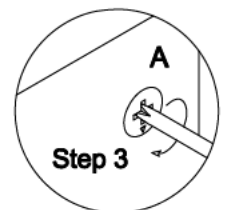
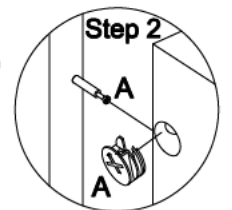
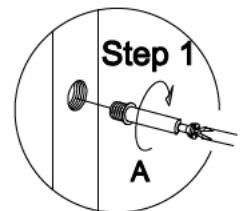
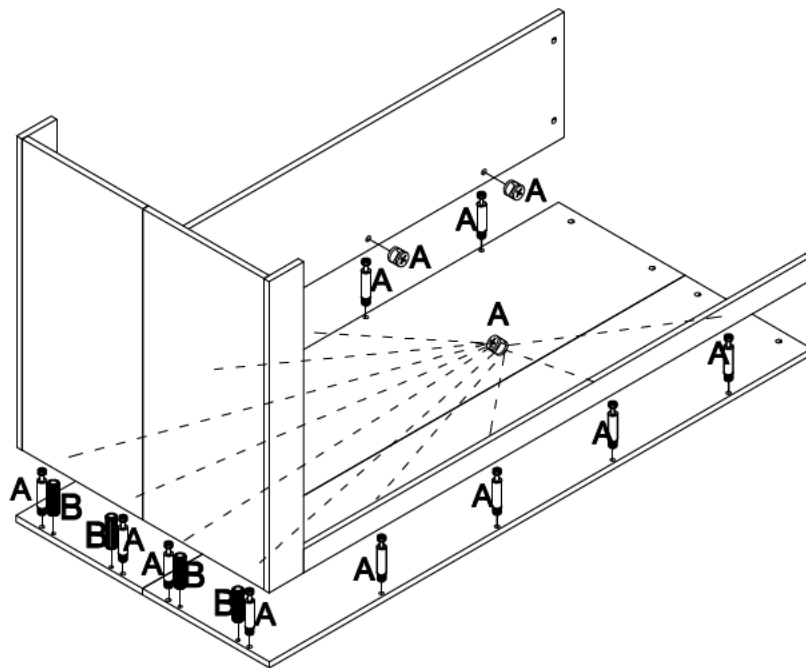
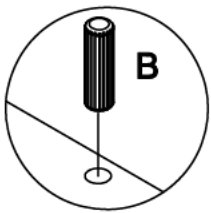
15



B

4pcs

16



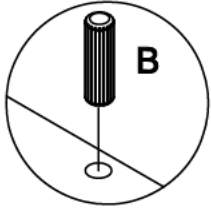
A

B

12pcs

4pcs

# 17



A

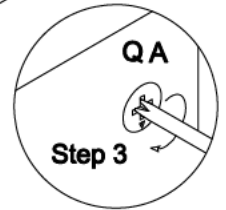
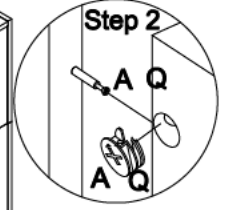
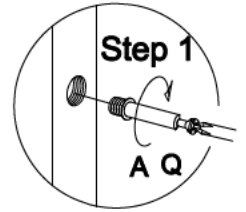
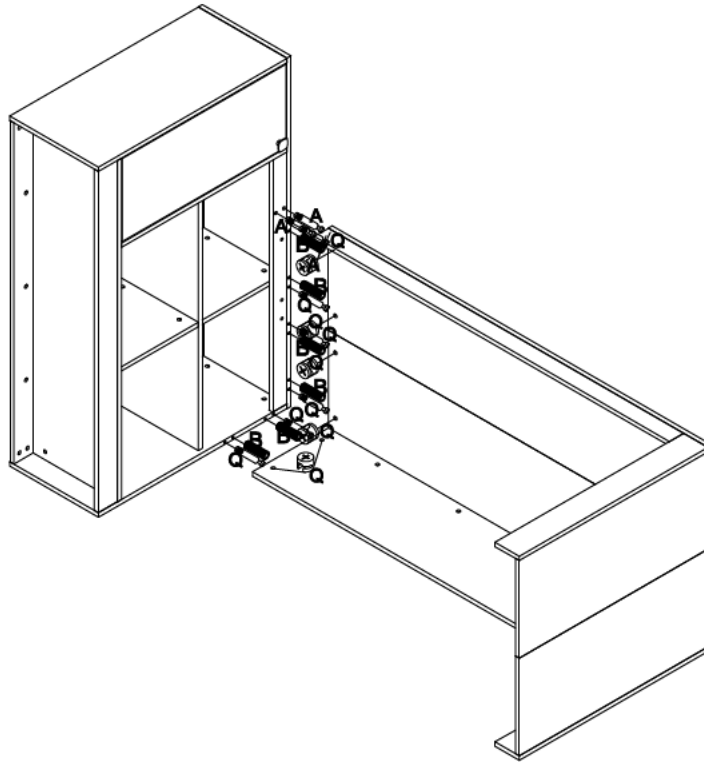
B

Q

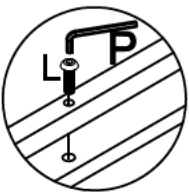
2pcs

6pcs

6pcs



# 18



I

J

K

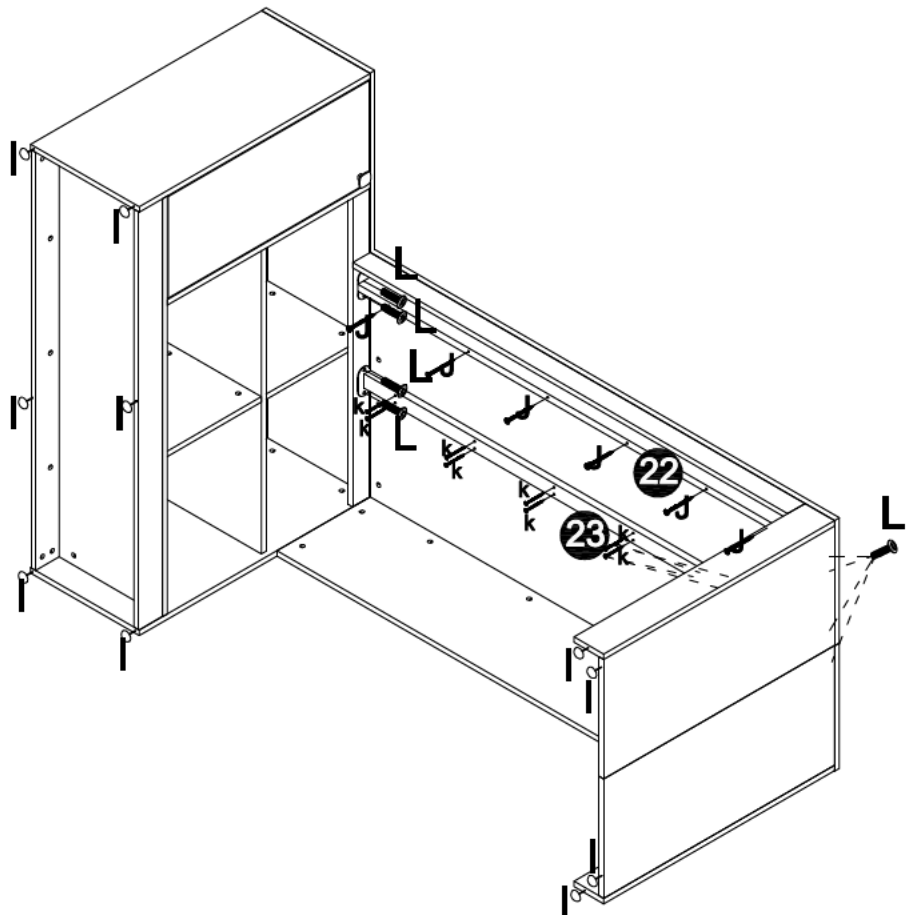
L

10pcs

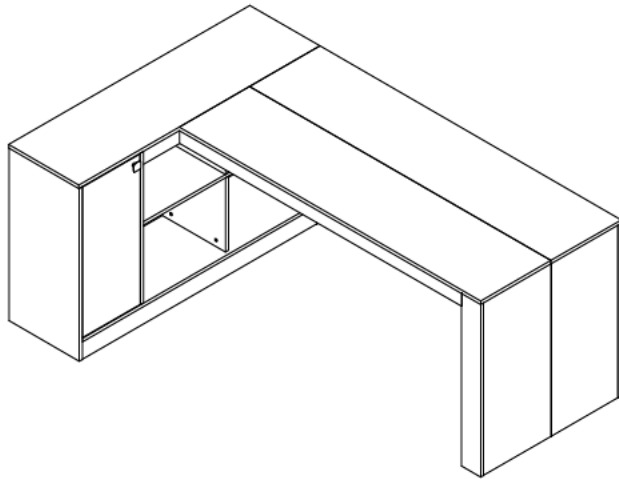
6pcs

12pcs

8pcs

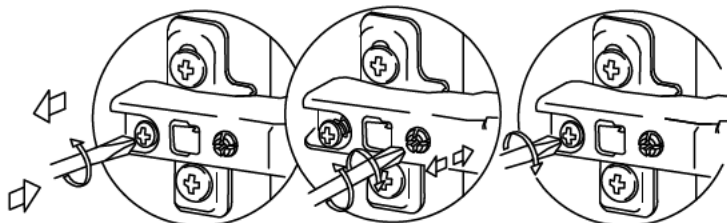


19

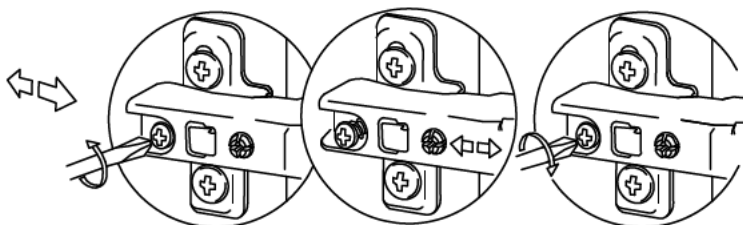
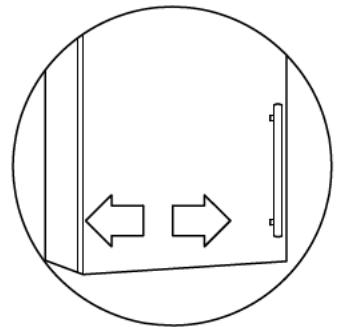


DESIGNED FOR LIFE

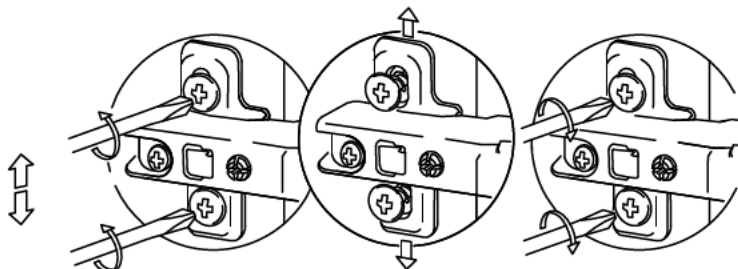
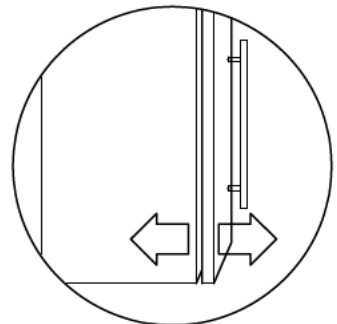
20



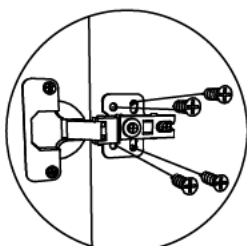
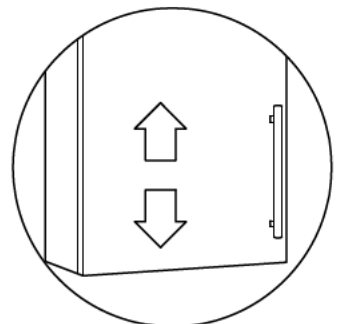
Screw off to fix the door left and right



Screw off to fix the door front and back



Screw off to fix the door up and down



To prevent the door hinge from falling off, please install 4 screws

Hinges adjustment(Please adjust the hinges when the cabinet doors are not level or couldn't be closed)

# Assembly Instructions

