
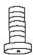






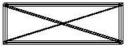



KM-16

Assemble Instructions

Hardware Identification

| | | |
|---|---|---|
|  |  | |
| (A) M6*10x16PCS | (B) M6*25x4PCS | |
|  |  |  |
| (C) M6x1PC | (D) x1PC | (E) x4PCS |

Part Identification

| | | |
|---|--|---|
| (1) x2PCS  | (2) x1PC  | (3) x4PCS  |
| (4) x1PC  | (5) x1PC  | |

