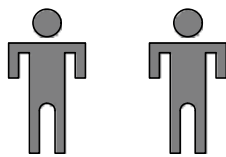
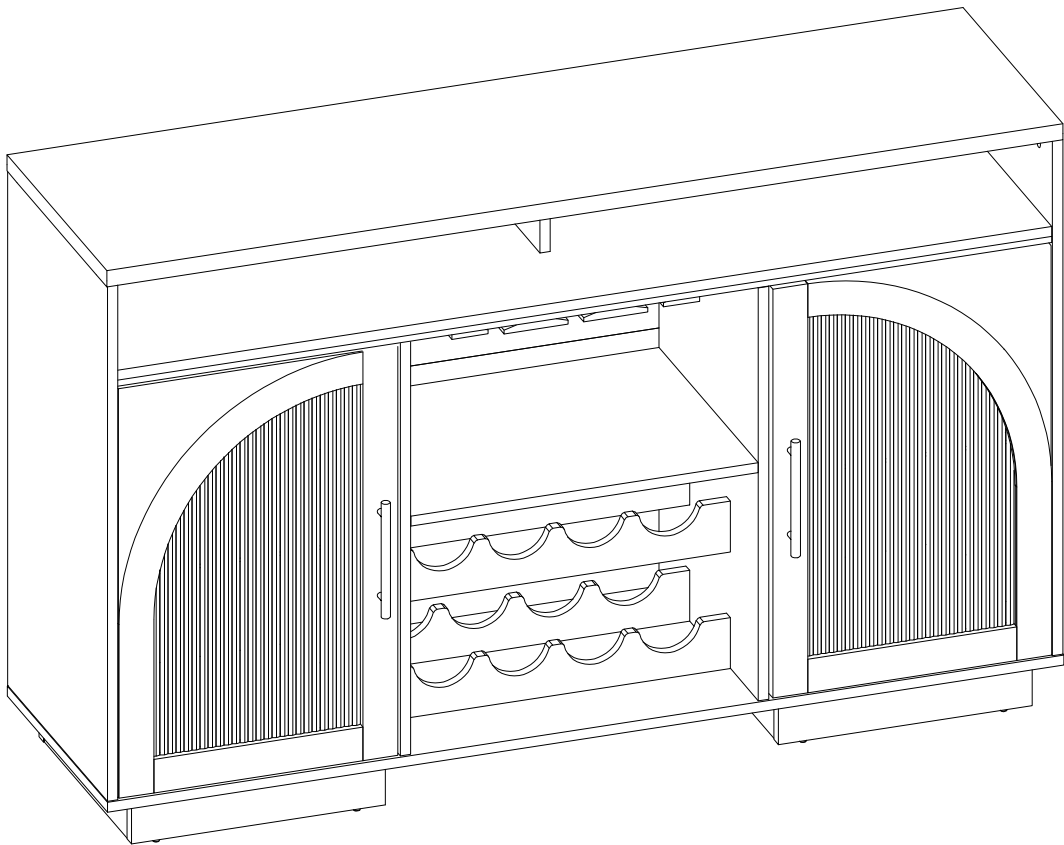
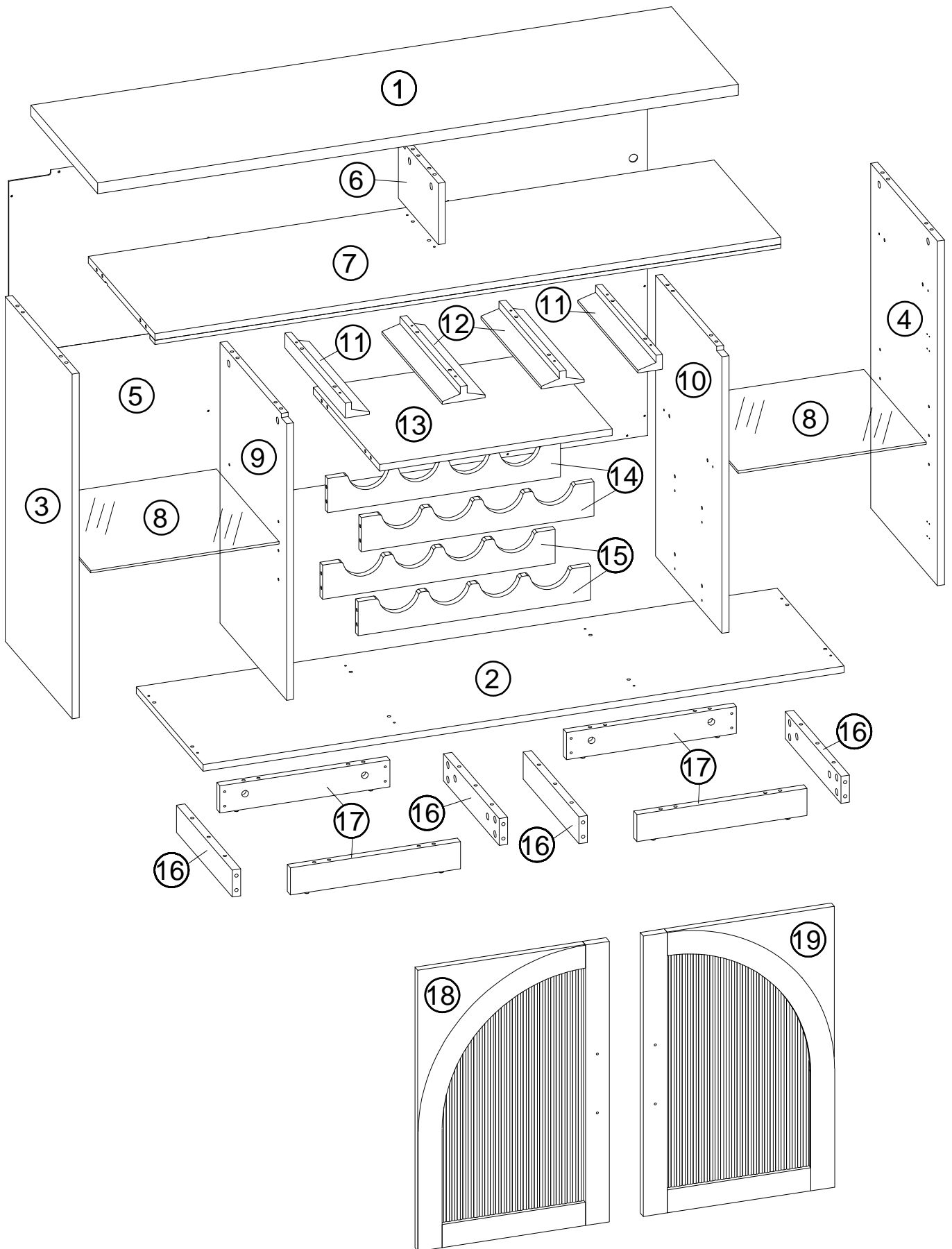


ASSEMBLY INSTRUCTIONS

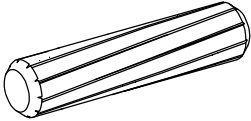



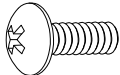
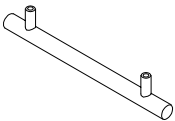
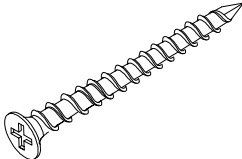
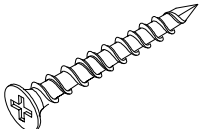
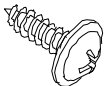
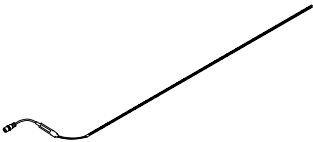
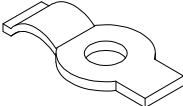
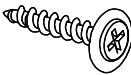
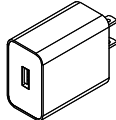
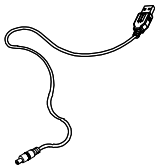

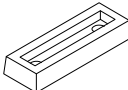
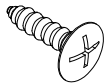
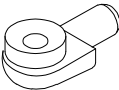
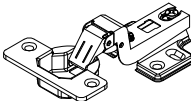
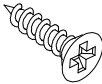
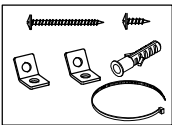


2 people for assembly

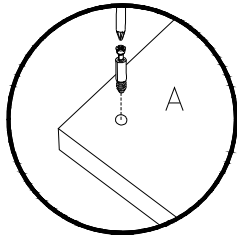
PACKAGE INCLUDE



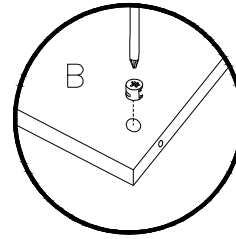
PACKAGE CONTENT

<p>Ø7.8X30MM</p>  <p>A 56X+2</p>	<p>B 10X+1</p> 	<p>Ø6X34MM</p>  <p>C 58X+2</p>	<p>Ø15X12MM</p>  <p>D 58X+2</p>
<p>Ø5/32"X22MM</p>  <p>E 4X</p>	<p>F 2X</p> 	<p>Ø4X50MM</p>  <p>G 10X+1</p>	<p>Ø4X38MM</p>  <p>H 8X+1</p>
<p>Ø3.5X15MM</p>  <p>I 22X+1</p>	<p>J 1X</p> 	<p>K 2X+1</p> 	<p>Ø3X10MM Included In Insert Screws</p>  <p>L 2X+1</p>
<p>M 1X</p> 	<p>N 1X</p> 	<p>Remote Control</p> <p>O 1X</p> 	<p>P 2X</p> 
<p>Ø3X12MM</p>  <p>Q 4X+1</p>	<p>R 8X+1</p> 	<p>S 4X</p> 	<p>Ø4X14MM</p>  <p>T 24X+1</p>
<p>U 2X</p> 			

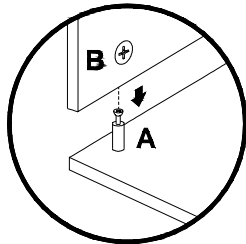
How to use the cam lock system



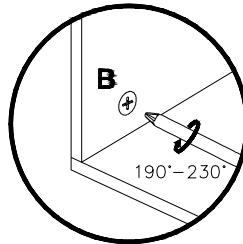
1. Screw cam bolt into panel



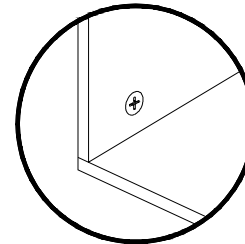
2. Push cam into panel - arrow feature on cam top points to panel edge



3. Align cam bolt(s) with cam(s) and insert all the way into cross-bored hole(s)

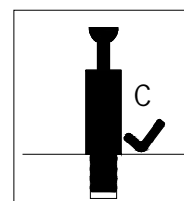
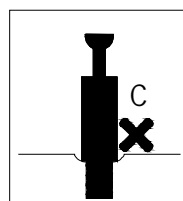
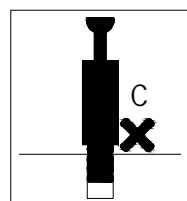
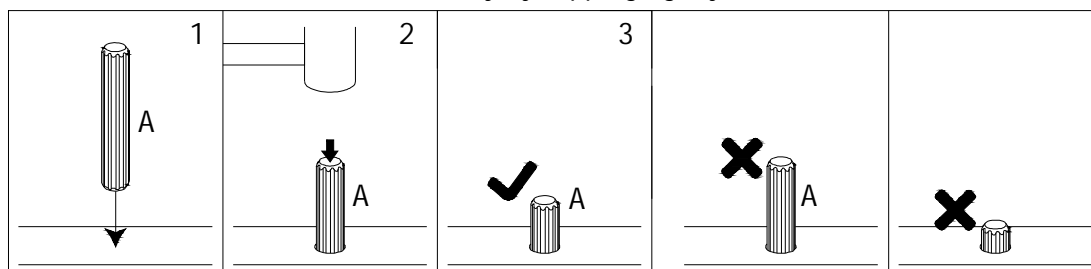


4. Rotate cam(s) clockwise 190°-230° to lock panels together



5. Panels should be tight against each other and connection should be rigid

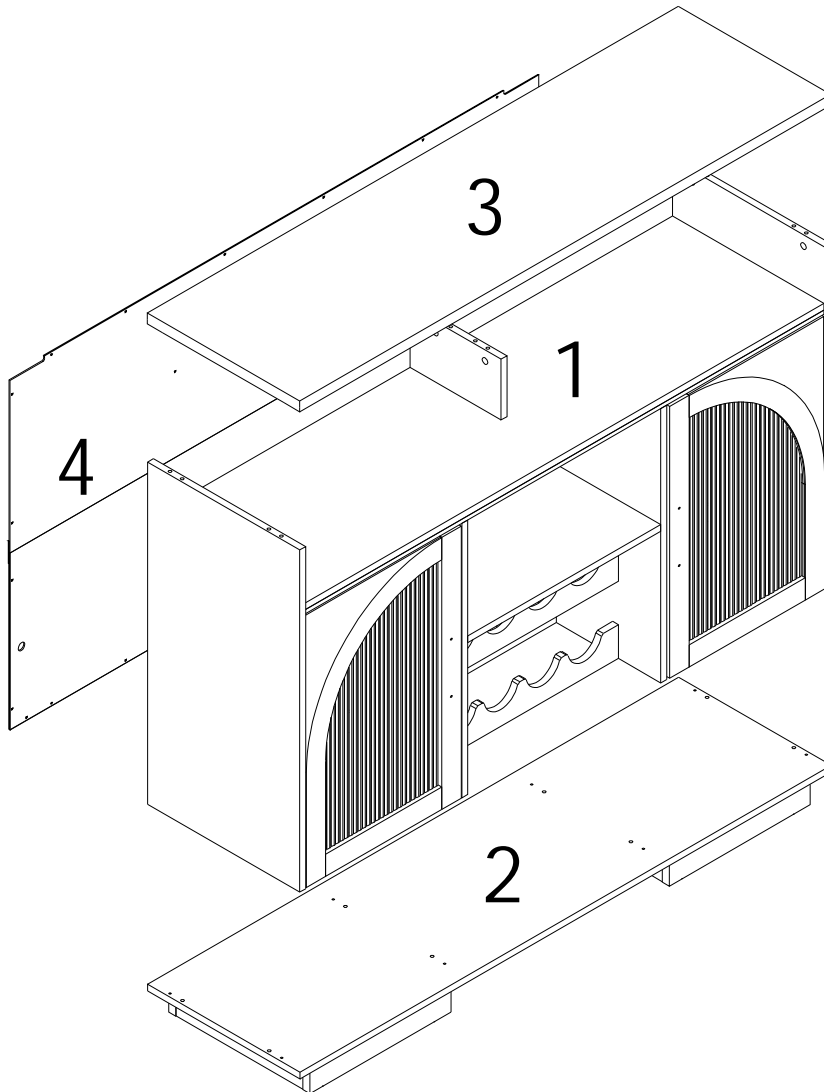
Insert the wood dowel (A) at least half way by tapping lightly with a rubber mallet, IF NECESSARY



⚠ WARNING

- Unit must be placed on a level surface or leveled with included hardware (when applicable).
- Do not sit or stand on or allow children to climb, sit or stand on the assembled product.
- For safety reasons, it is imperative that this unit be mounted to the wall.
- Do not use without installing the tip restraint.
- Unit can tip over causing severe injury or death.
- Do not exceed the recommended weight limits.
- Evenly distribute the weight on each level and always keep the heavier loads on the bottom.
- Before cutting, drilling or hammering into any wall or floor surface, verify the location of electrical, plumbing and gas lines. Cutting may cause serious injury.

Now you can assemble the item.



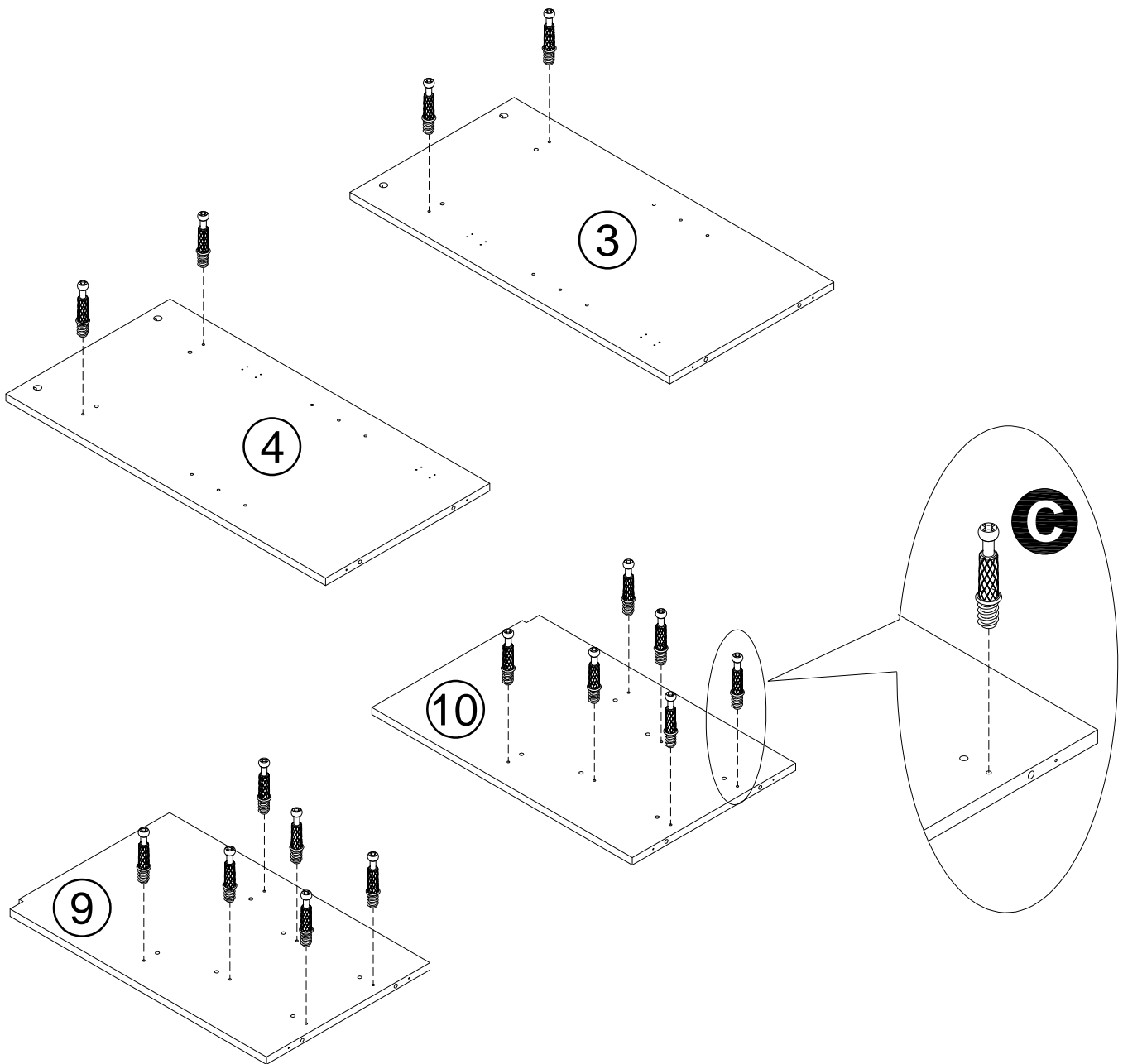
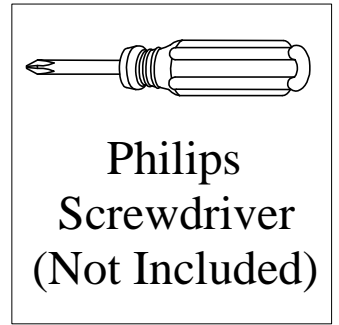
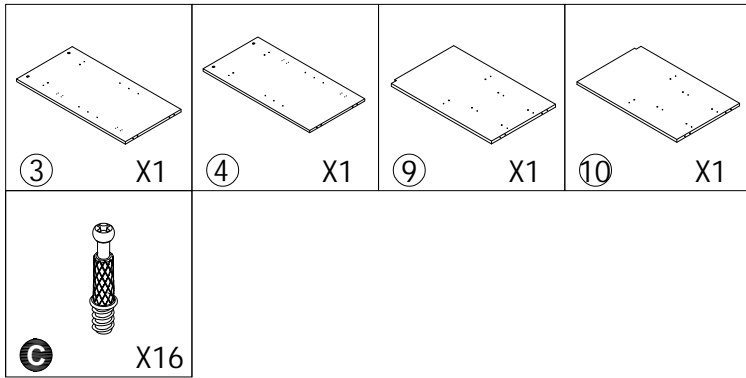
The installation process is divided into four parts:

1. Install the cabinet body
2. Install the cabinet base part
3. Install the cabinet top part
4. Install the cabinet back panel

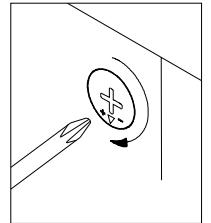
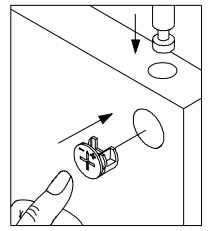
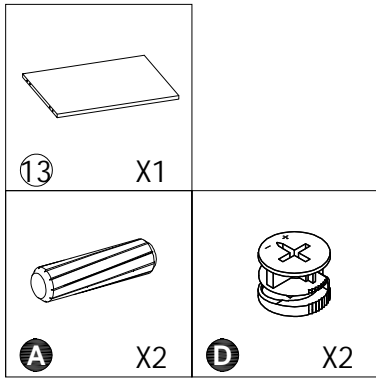
Tip:

Using an electric screwdriver will make assembly easier.

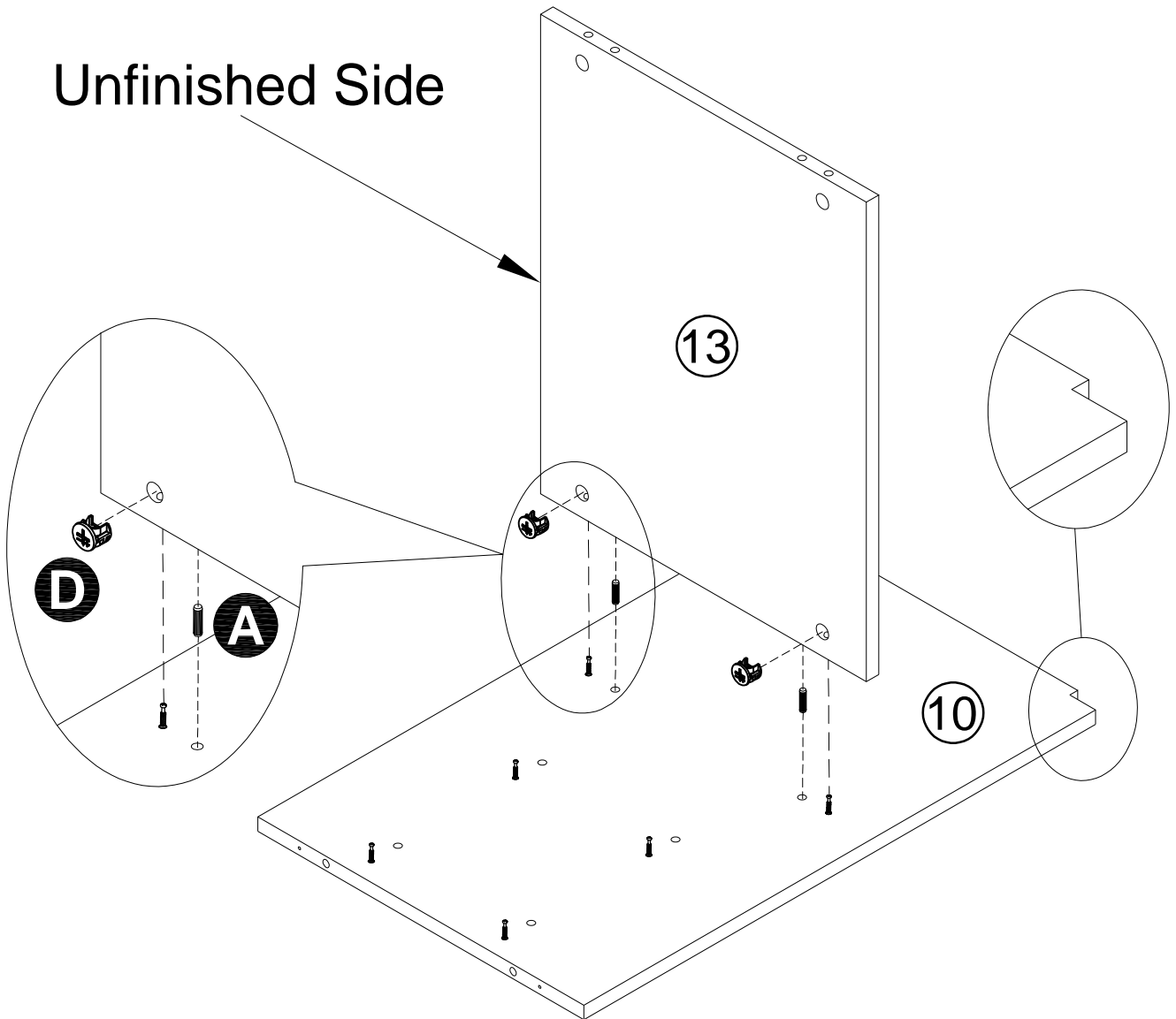
STEP 1



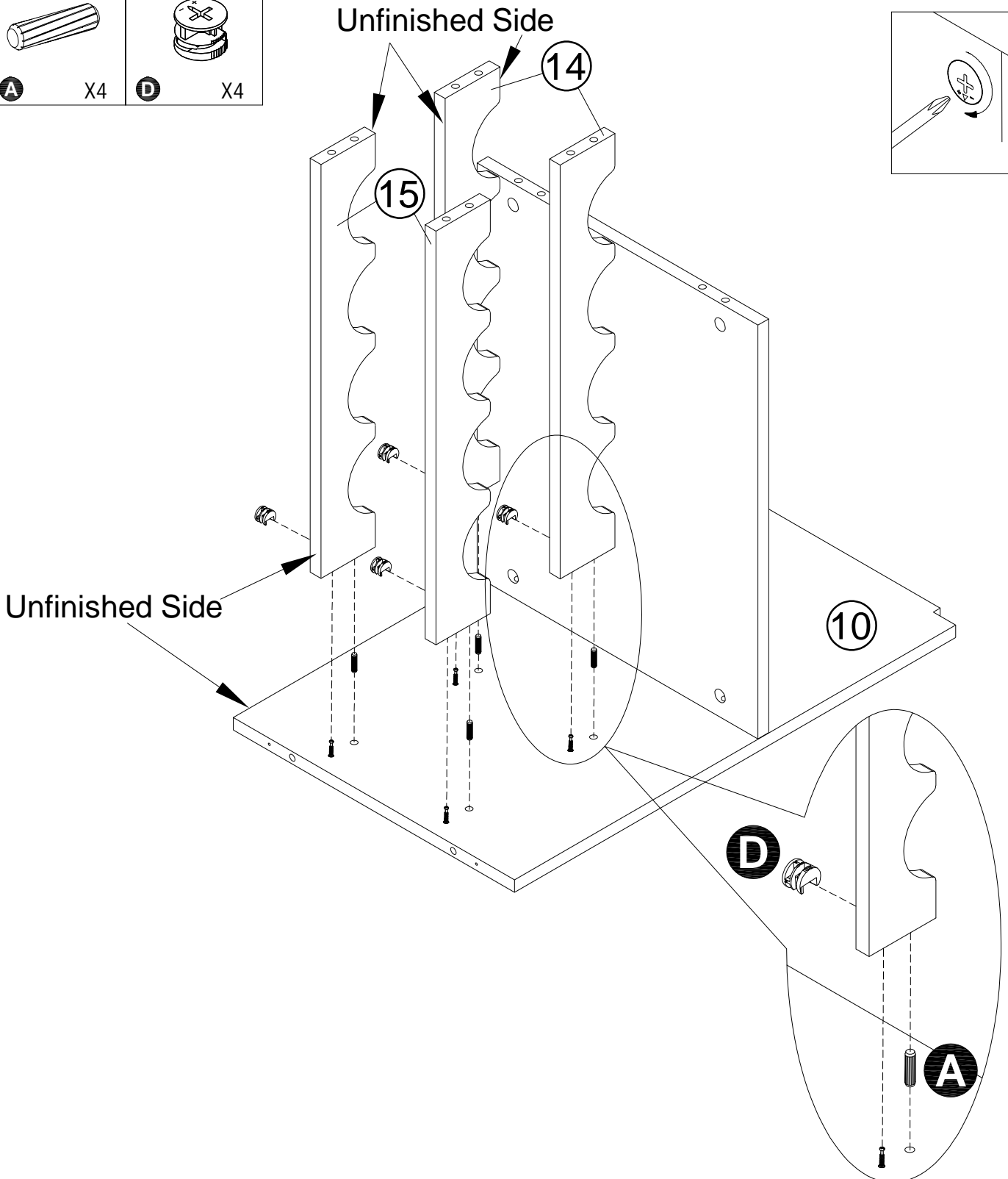
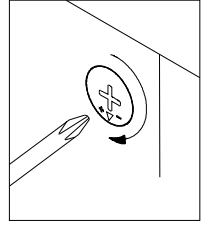
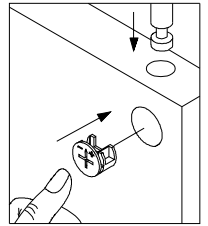
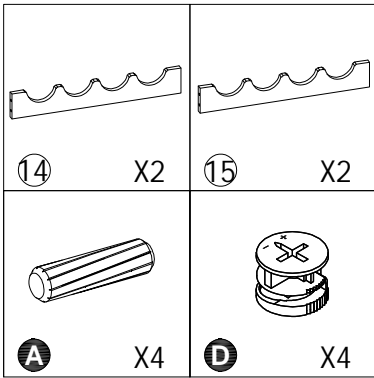
STEP 2



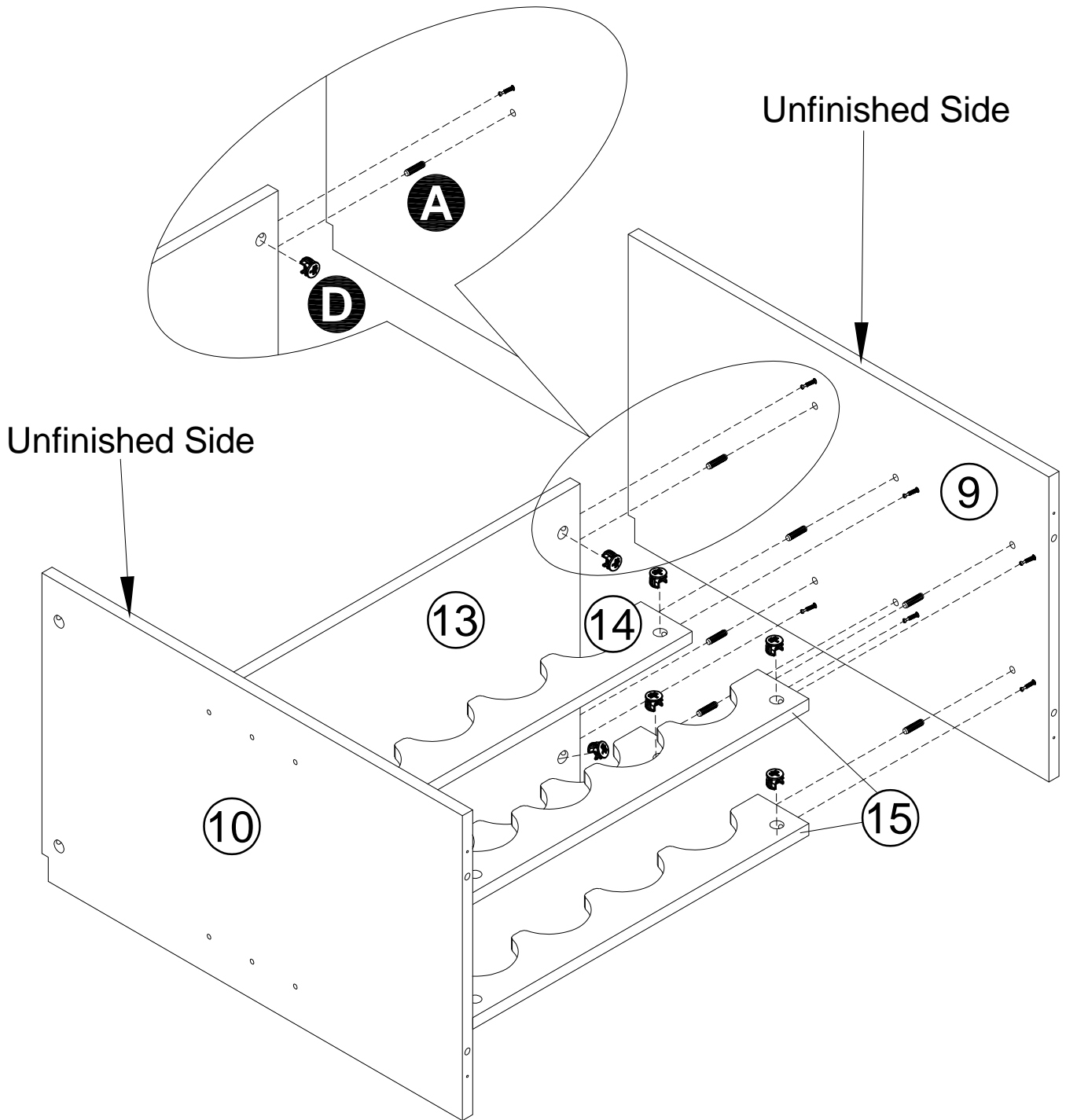
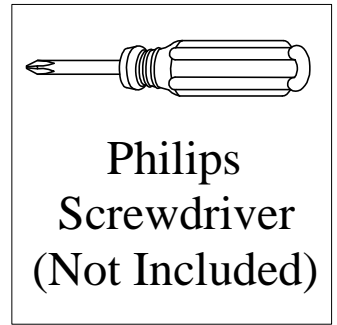
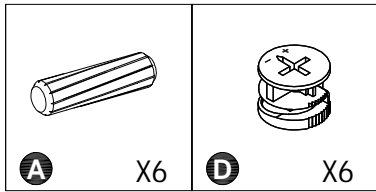
Unfinished Side



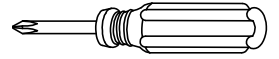
STEP 3



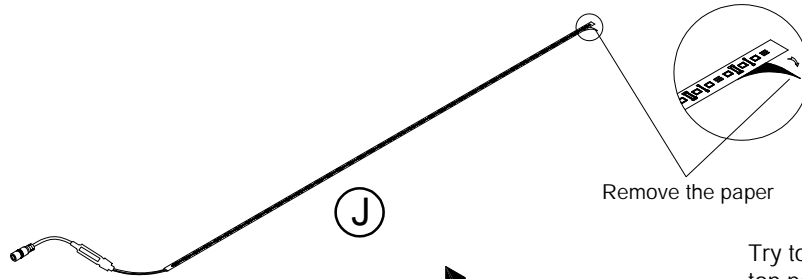
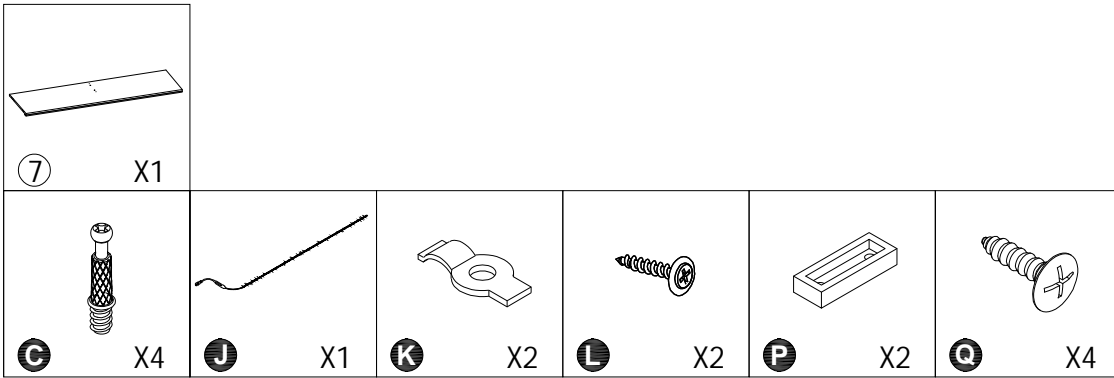
STEP 4



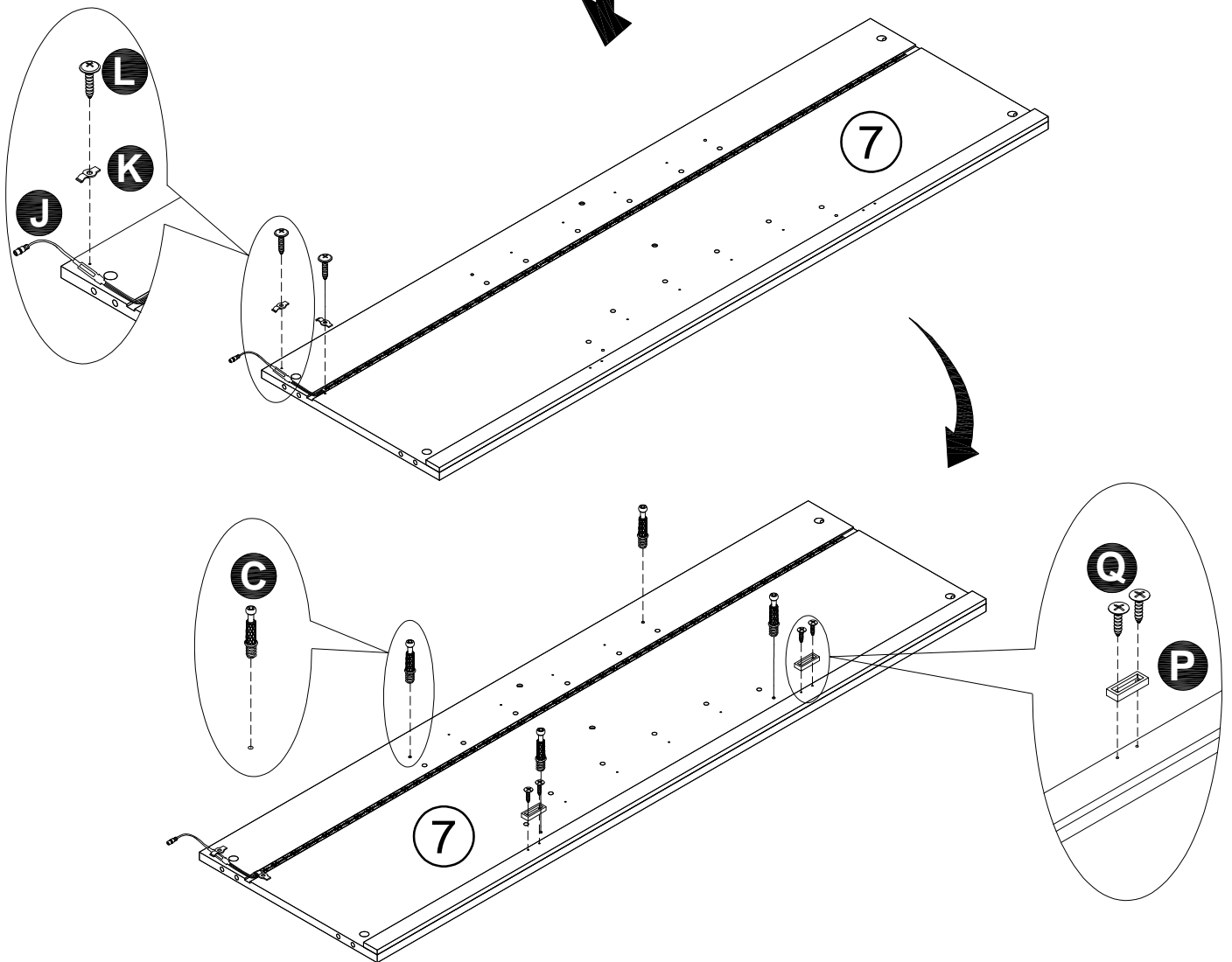
STEP 5



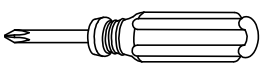
Philips
Screwdriver
(Not Included)

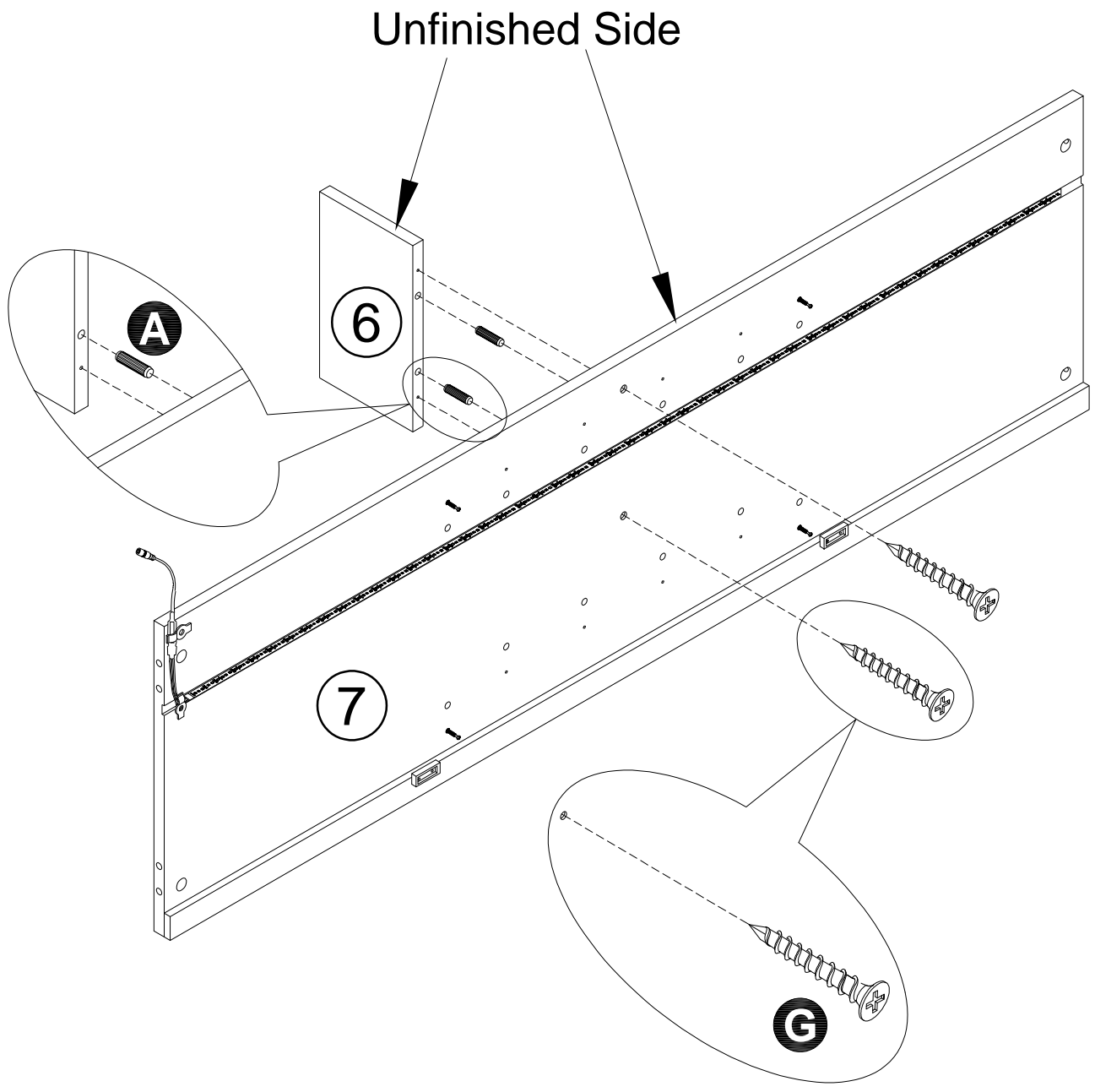
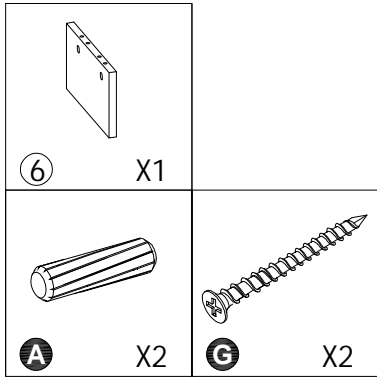


Try to clean the dust on the surface of the top panel and then paste the lamp strip

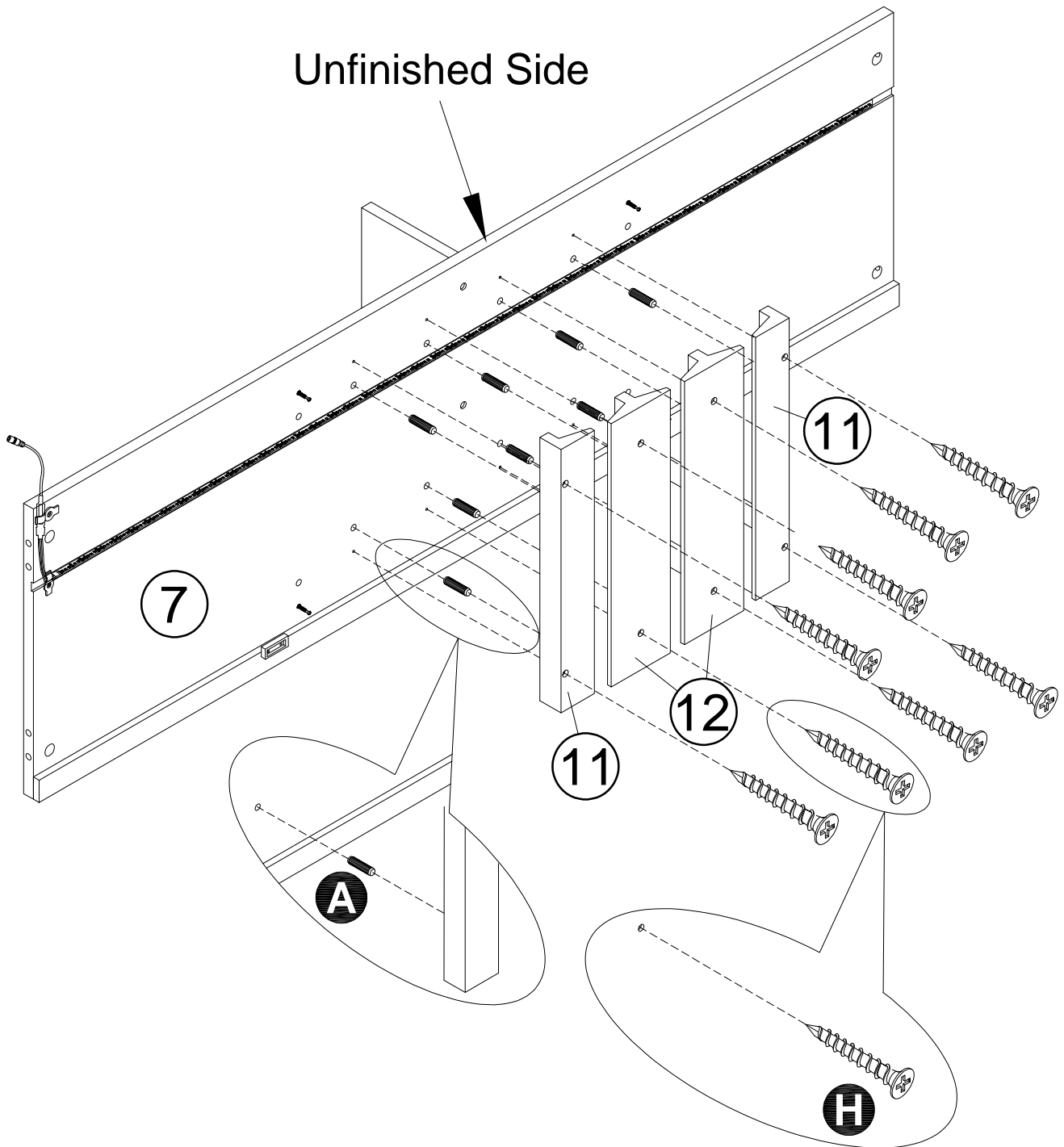
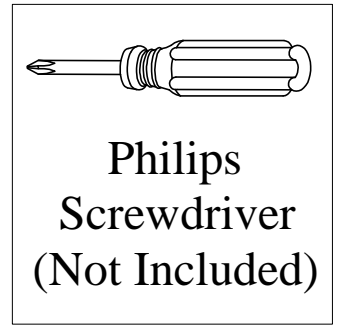
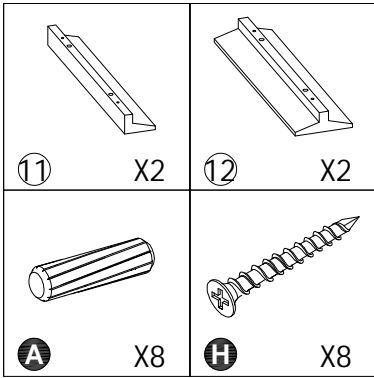


STEP 6

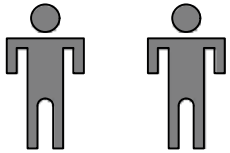
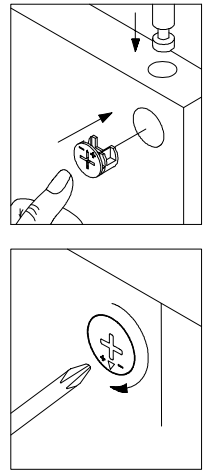
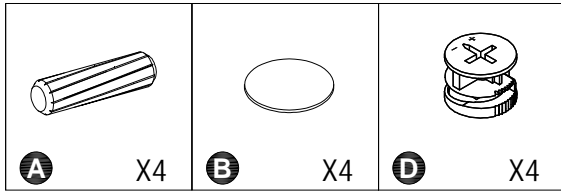

Philips
Screwdriver
(Not Included)



STEP 7



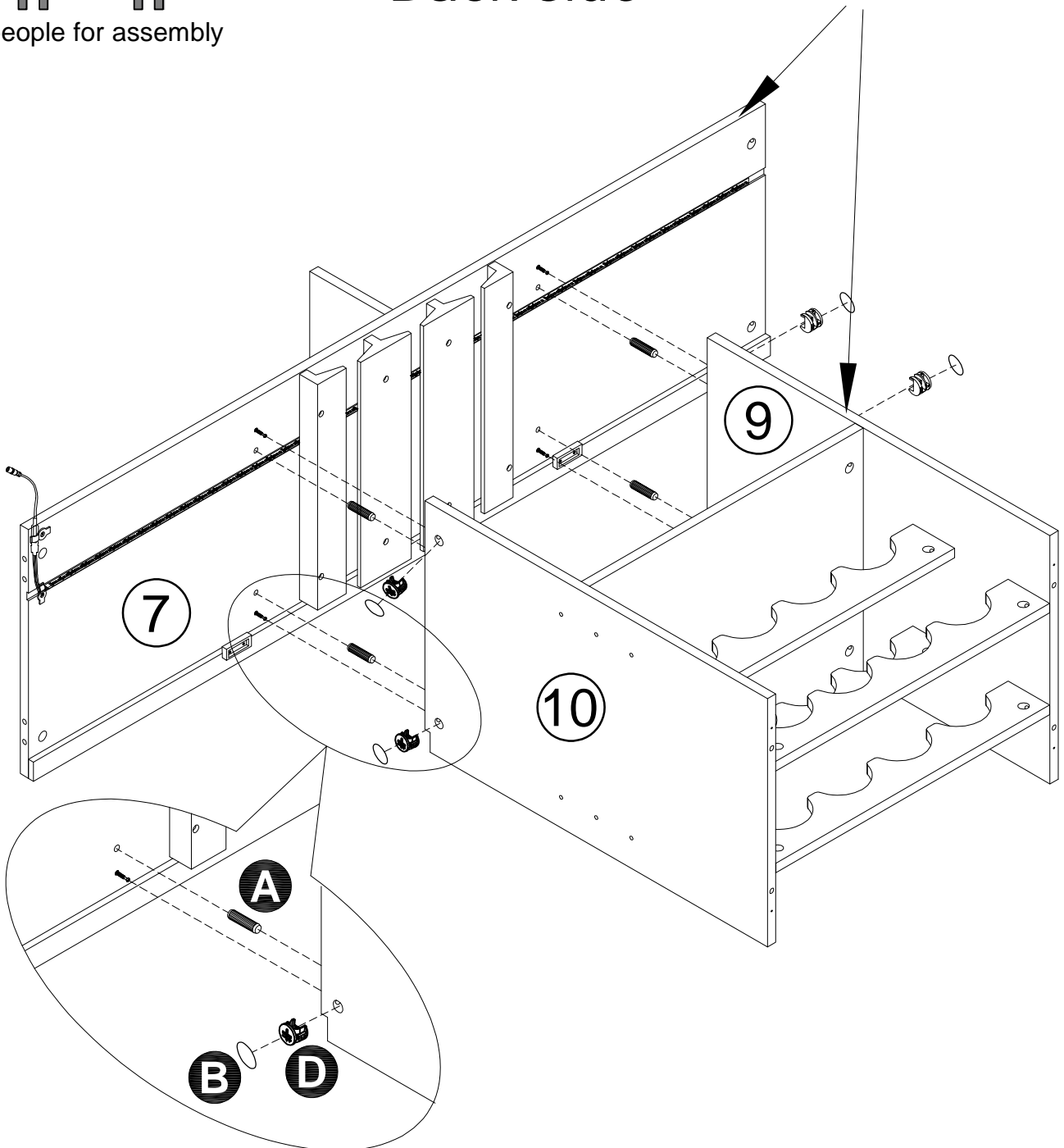
STEP 8



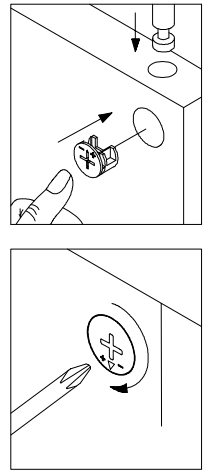
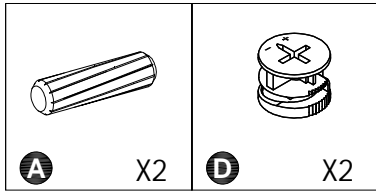
2 people for assembly

Back side

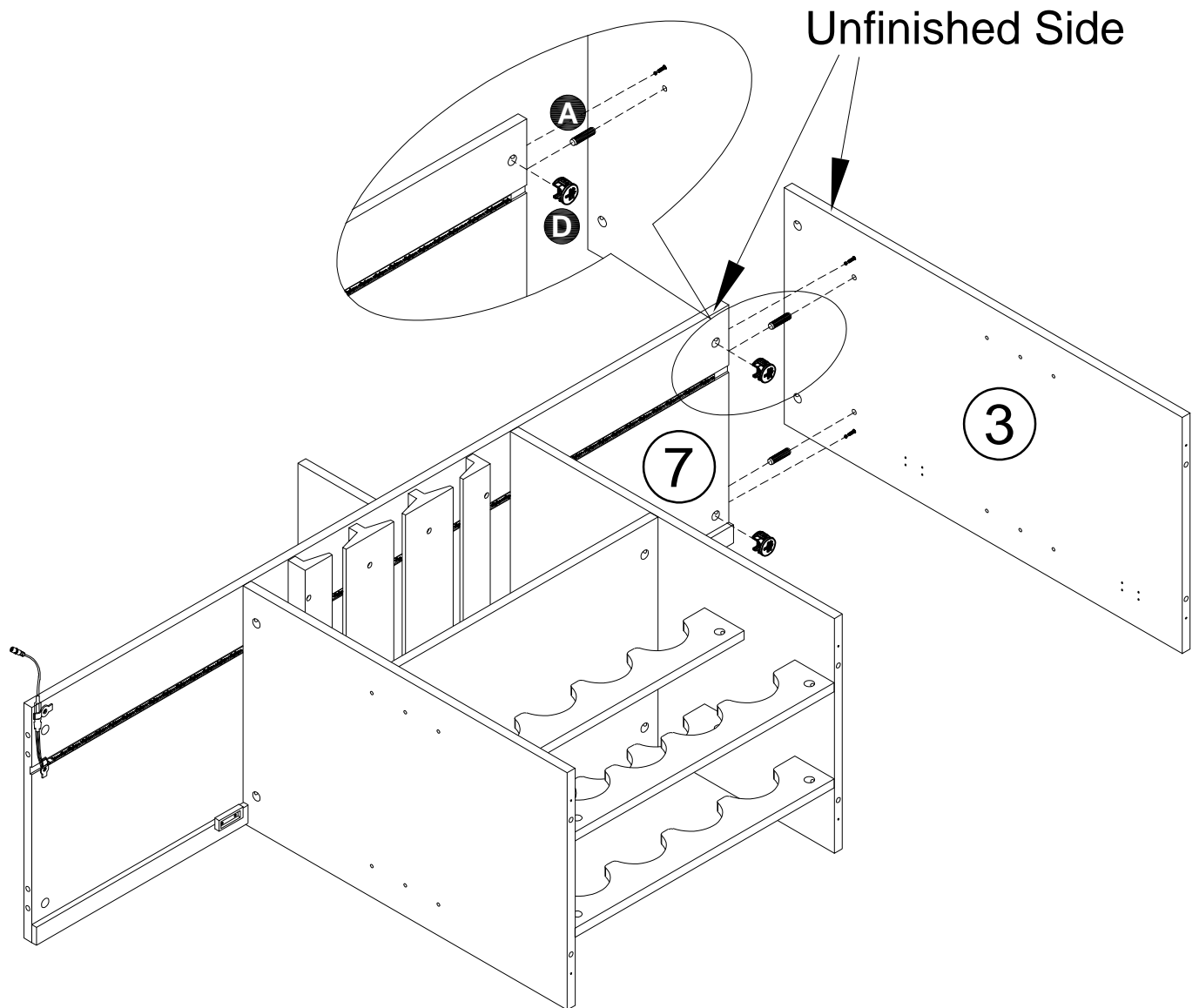
Unfinished Side



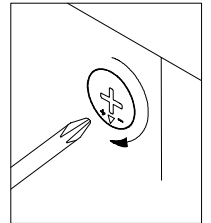
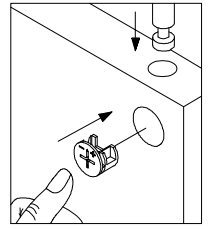
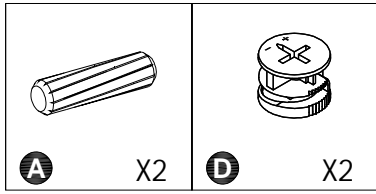
STEP 9



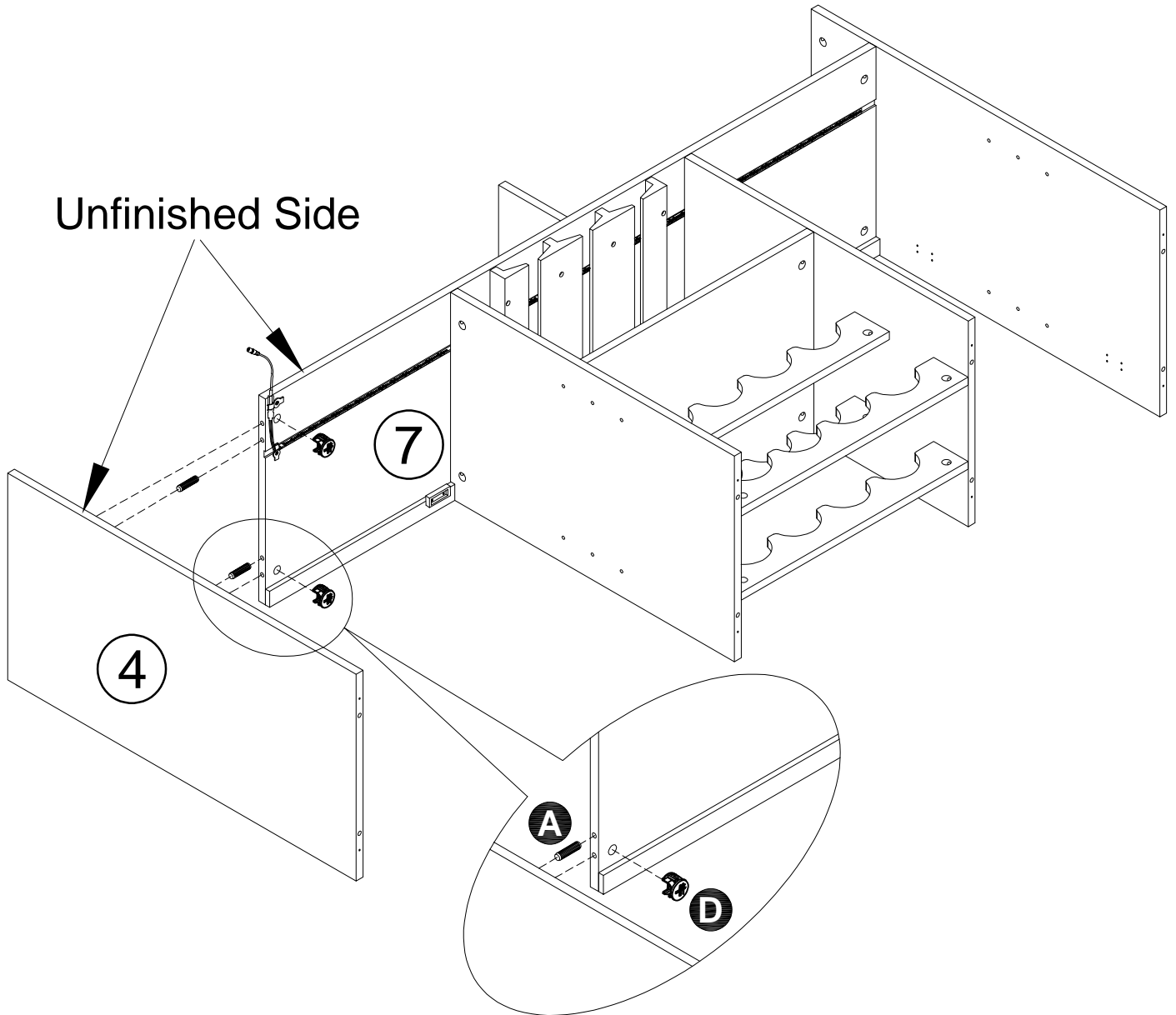
Back side




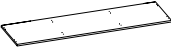


STEP 10

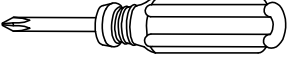


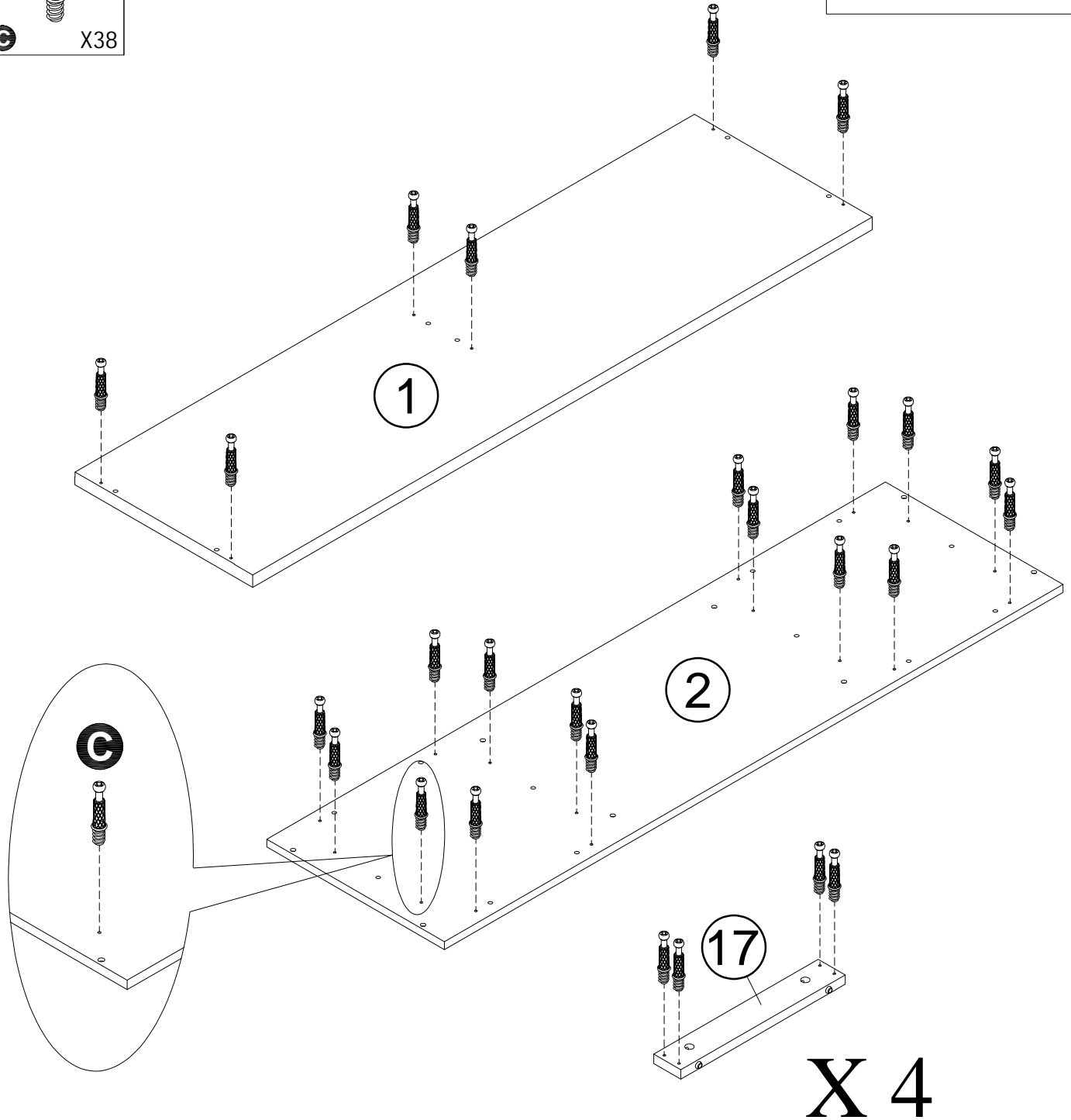
Back side



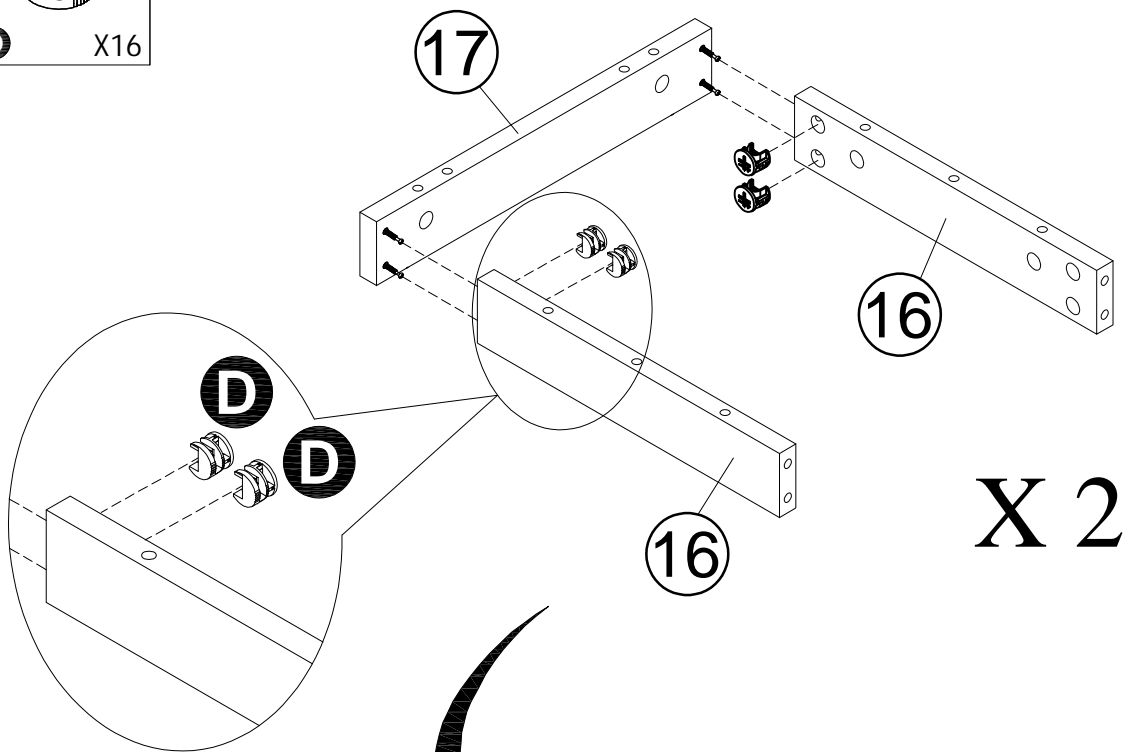
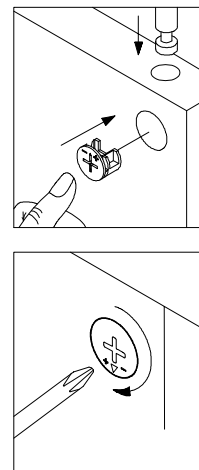
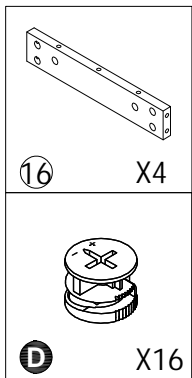
STEP 11

 ① X1	 ② X1	 ⑰ X4
 C X38		

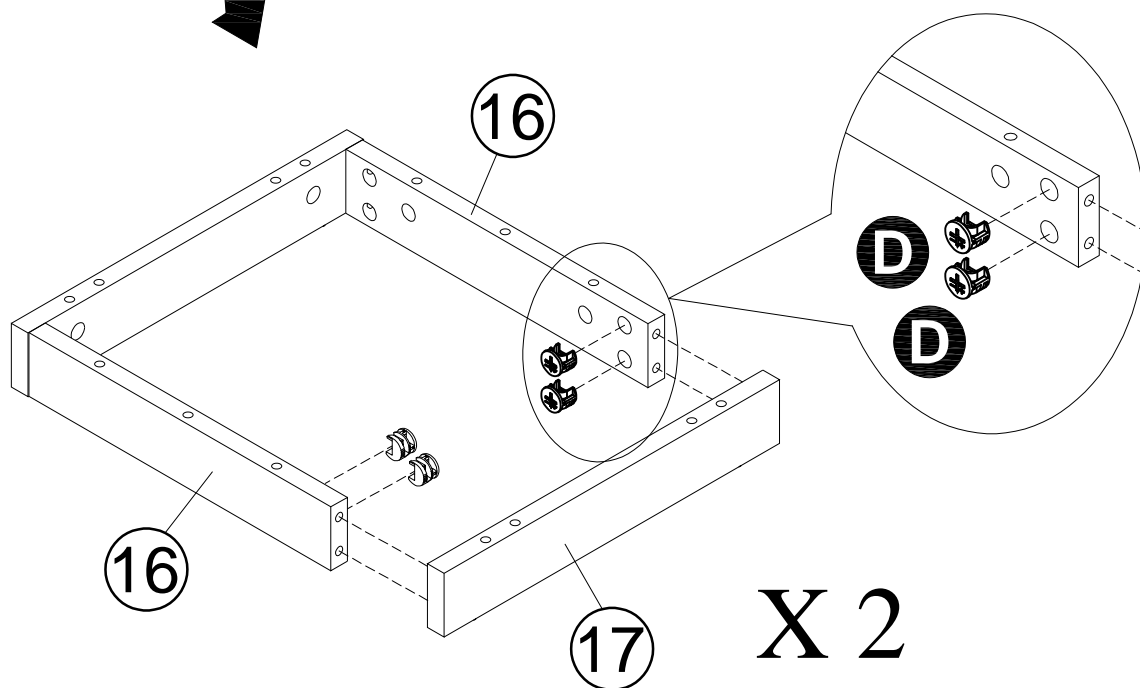

Philips
Screwdriver
(Not Included)



STEP 12

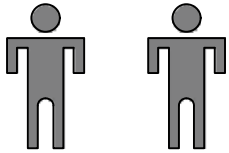
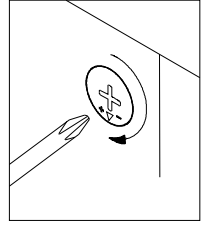
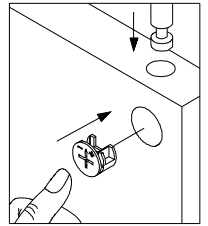
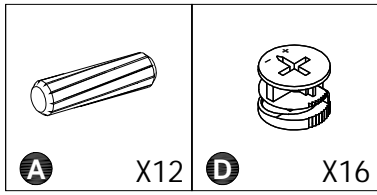


X 2



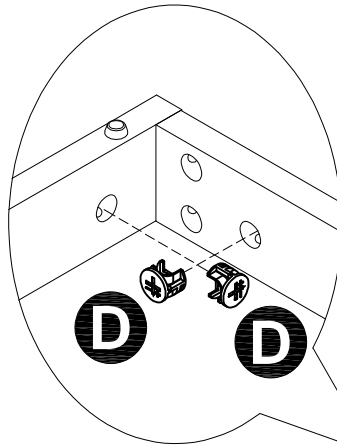
X 2

STEP 13

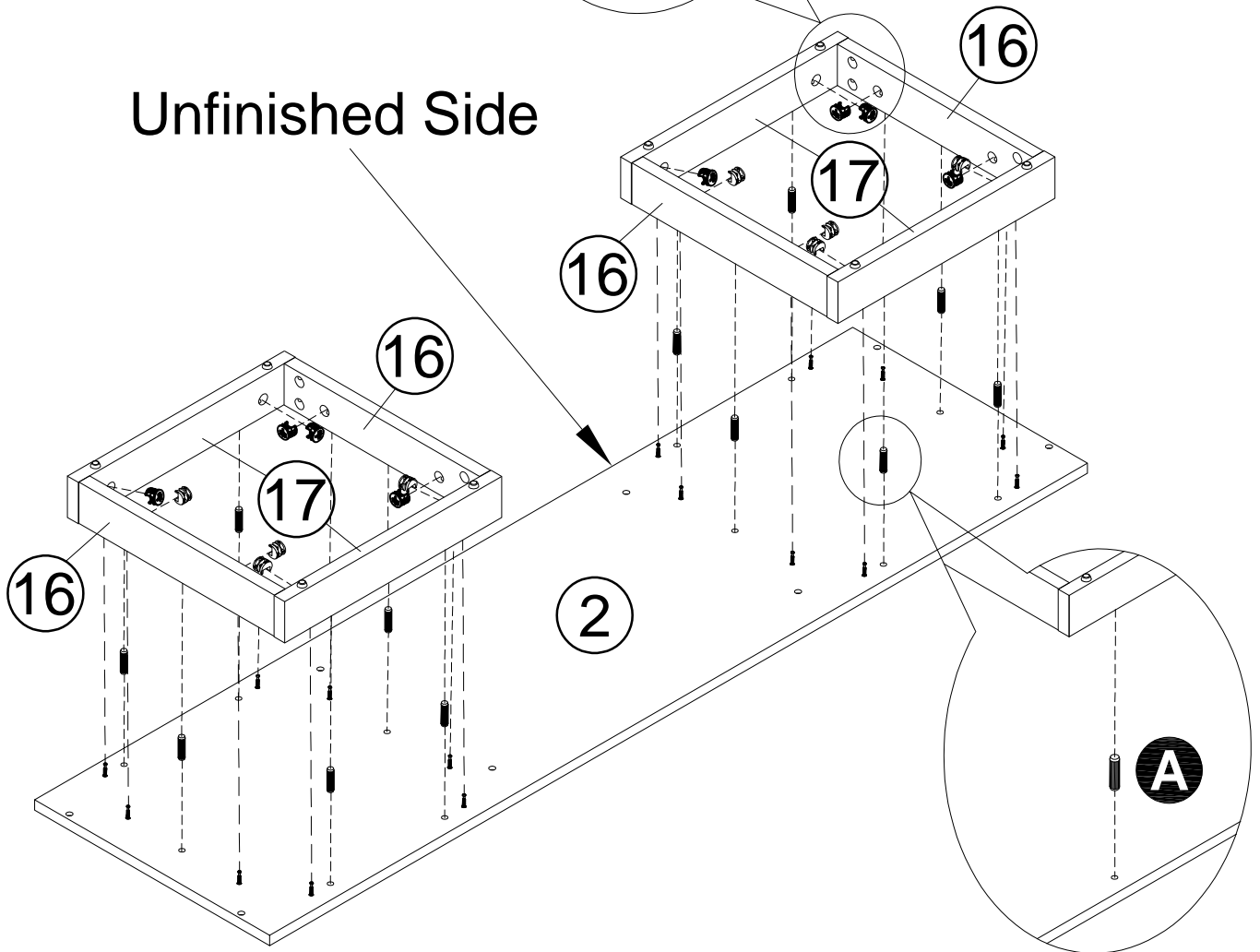


2 people for assembly

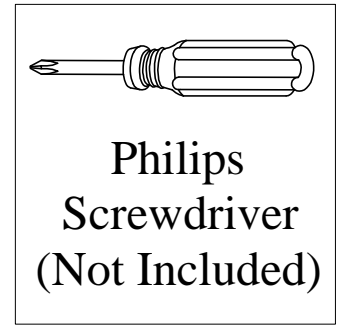
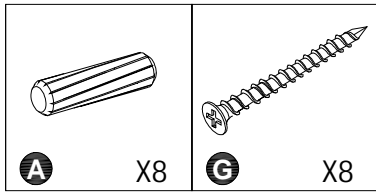
Back side



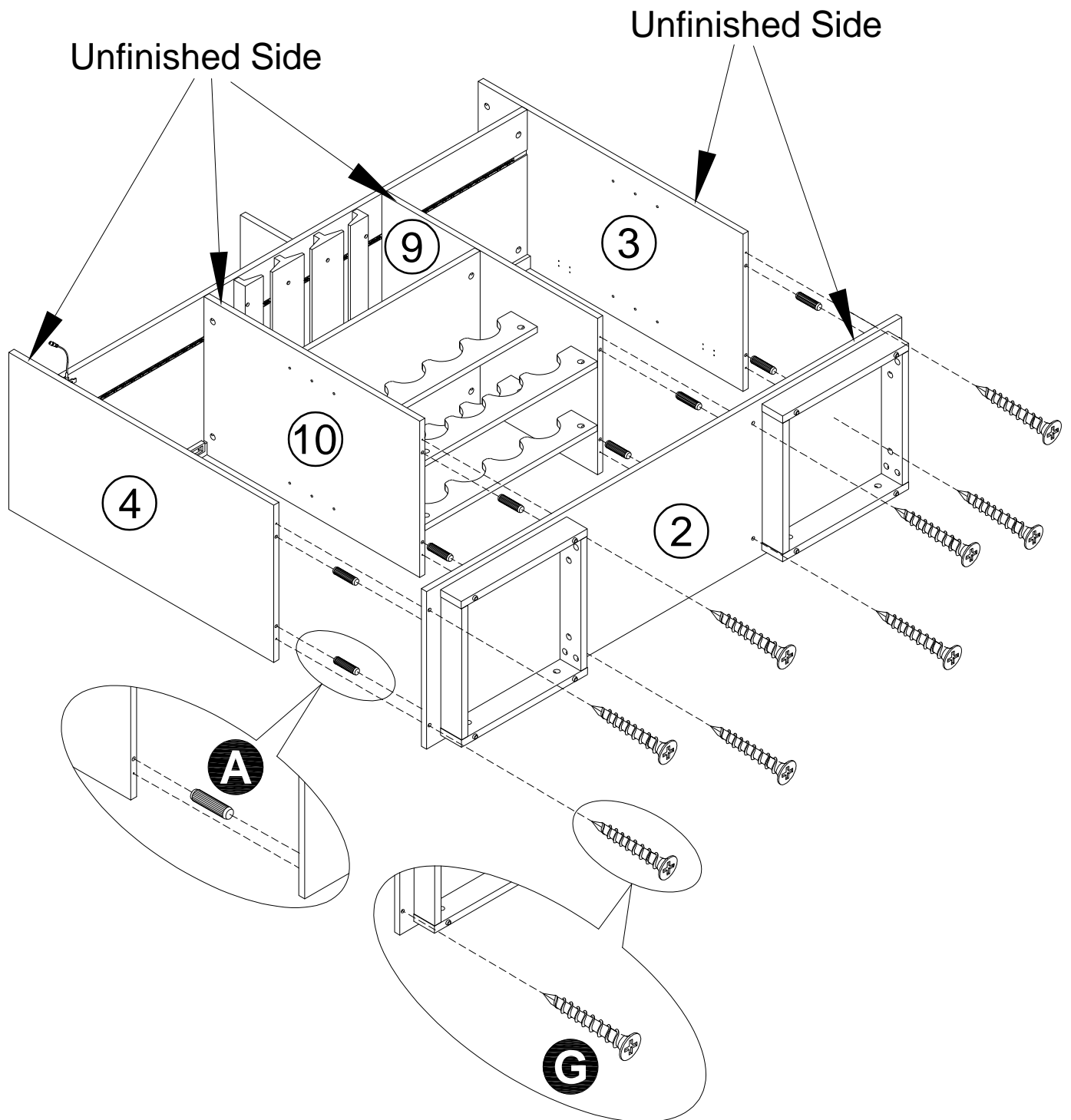
Unfinished Side



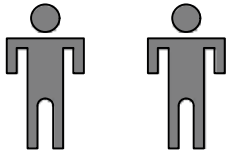
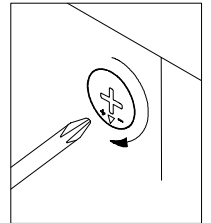
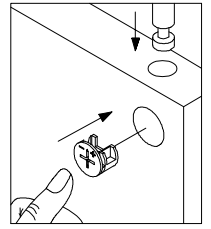
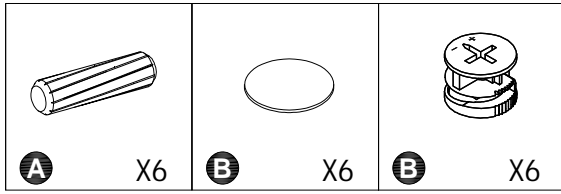
STEP 14



Back side



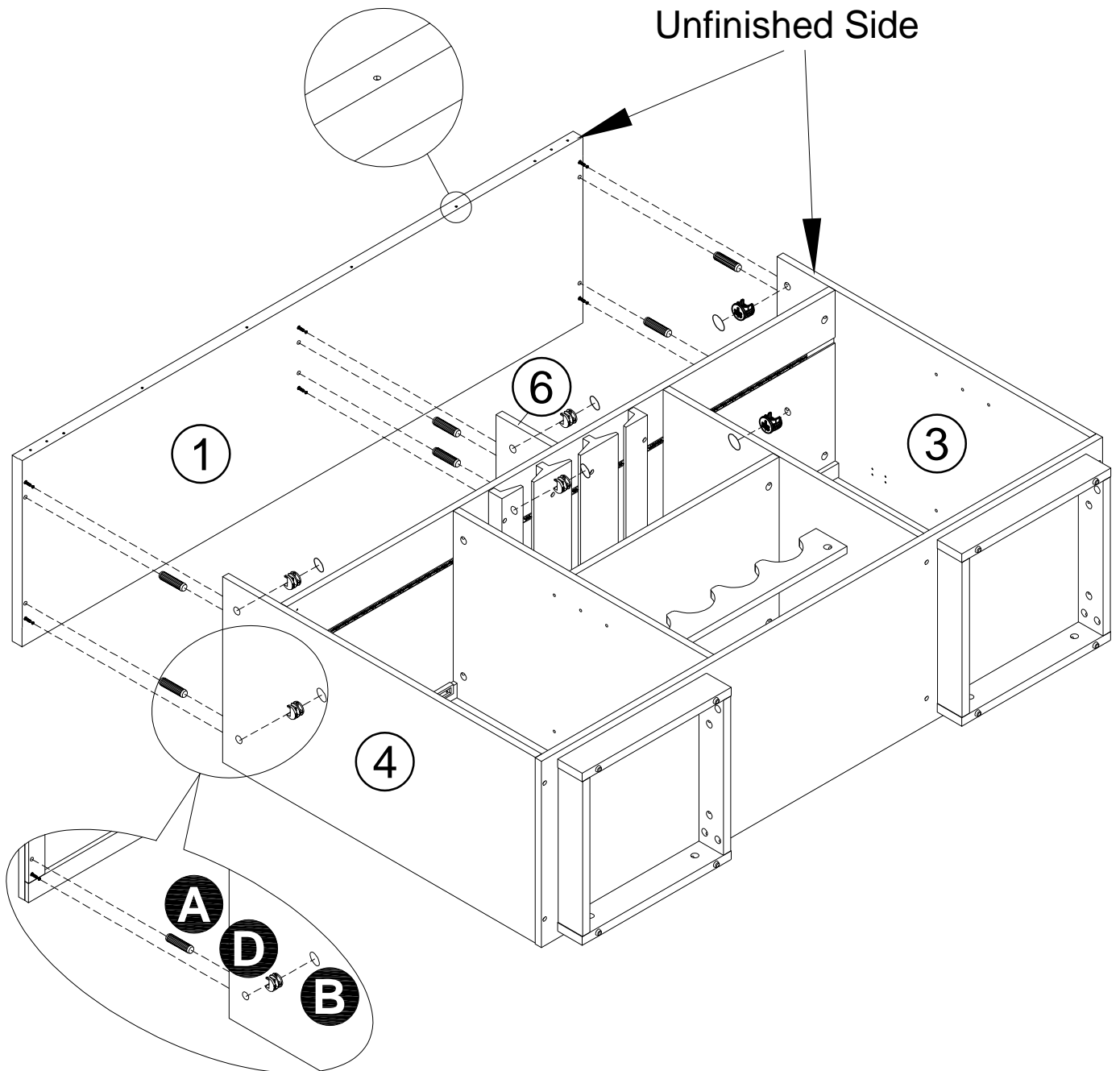
STEP 15



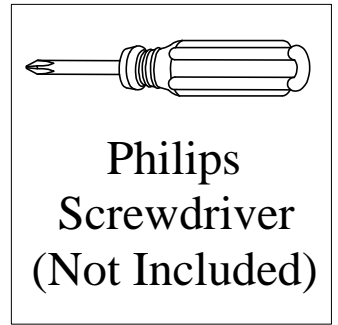
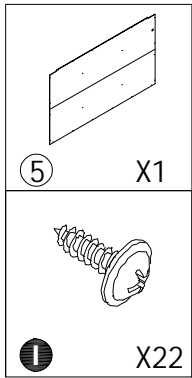
2 people for assembly

Back side

Unfinished Side

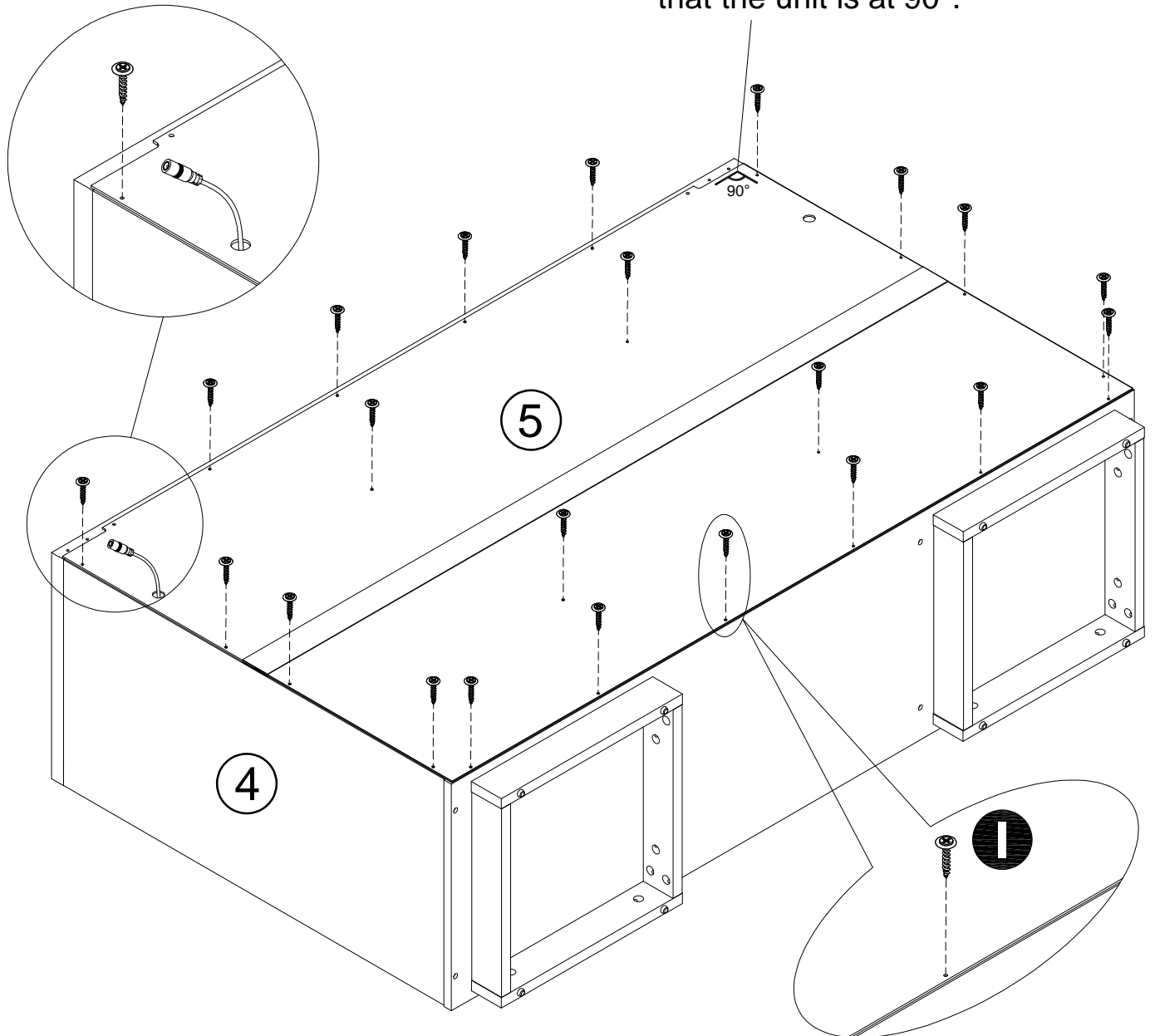


STEP 16

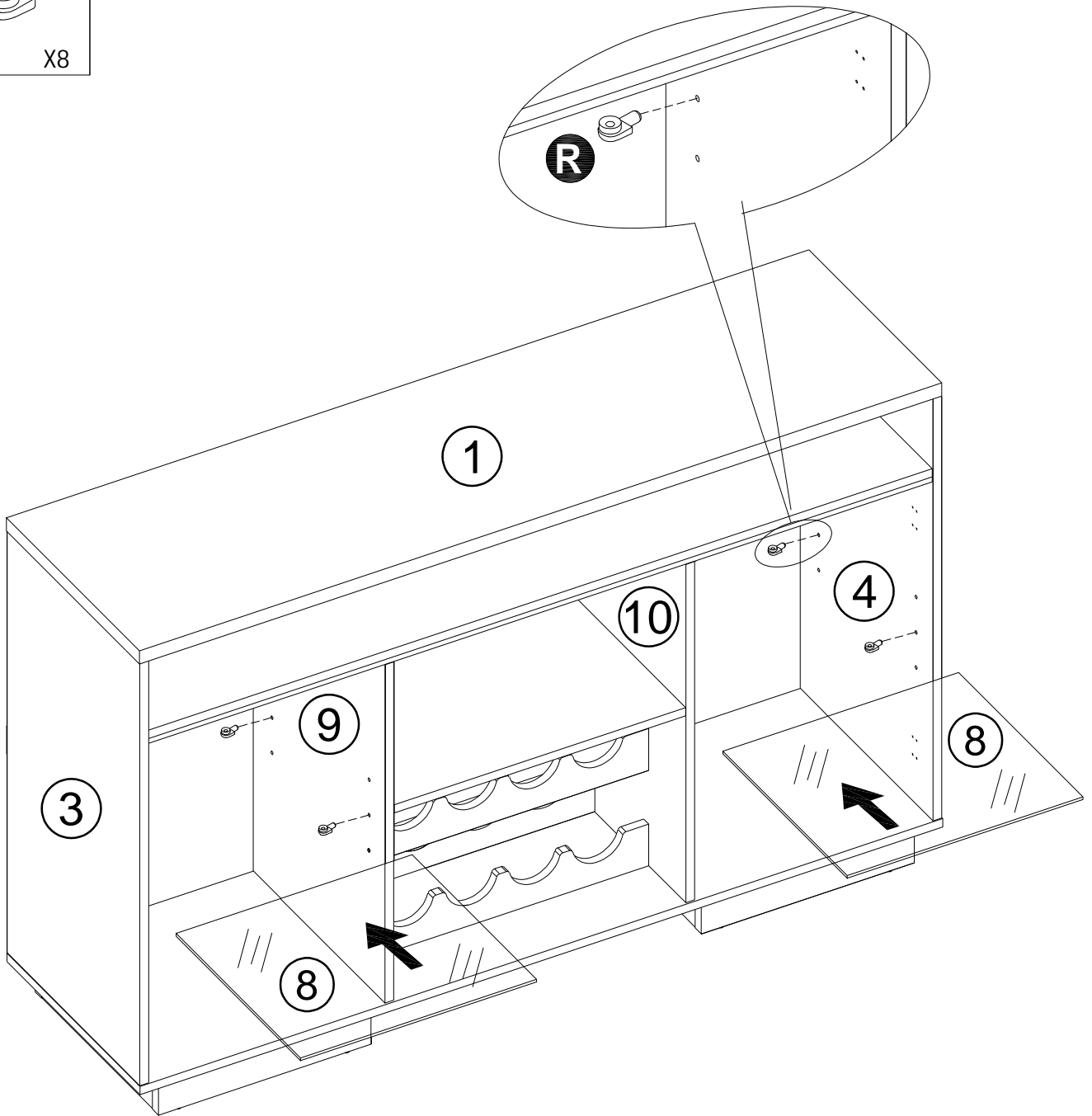
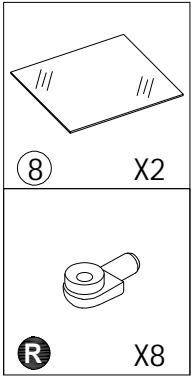


Back side

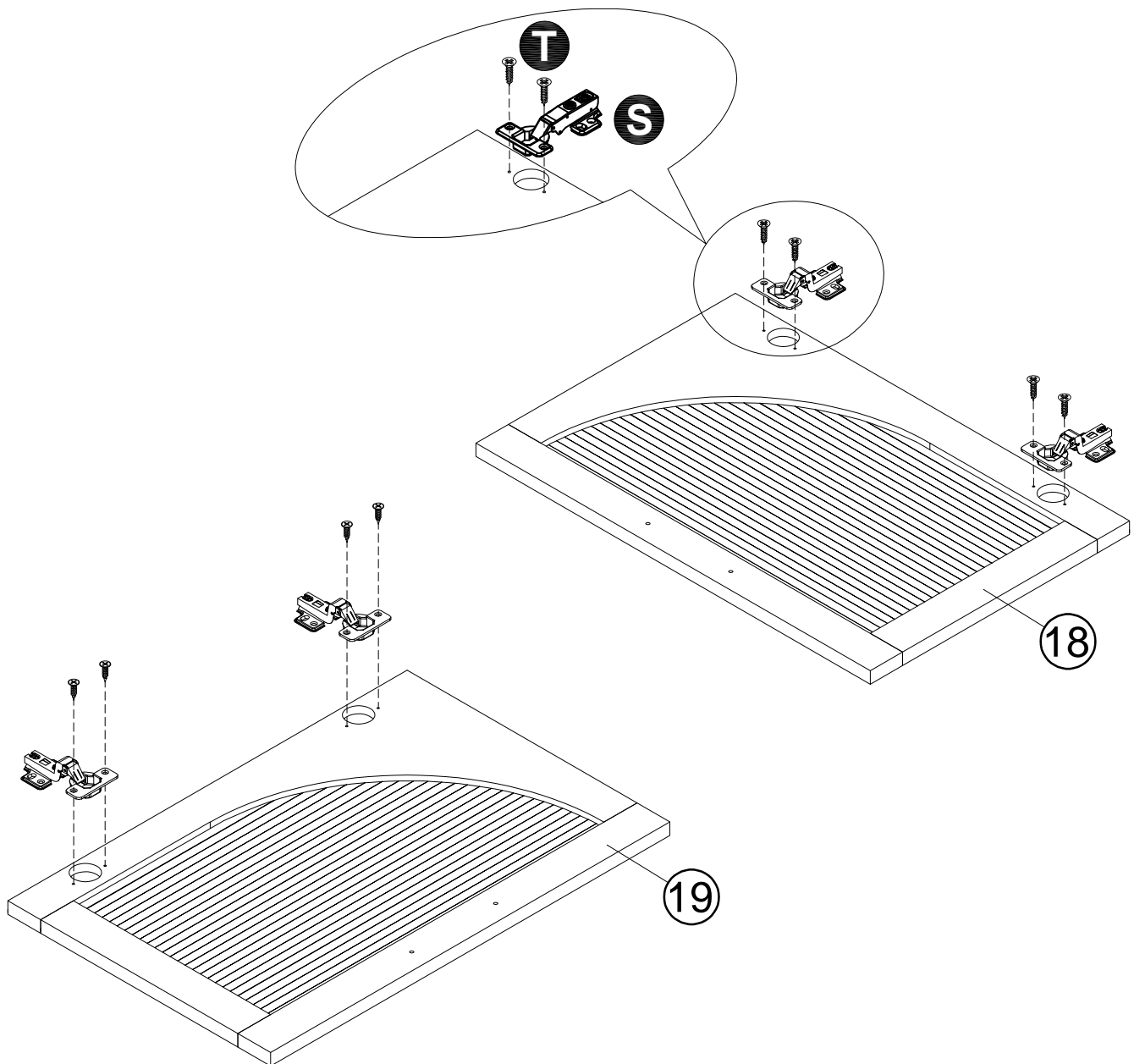
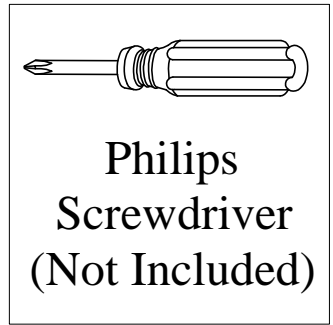
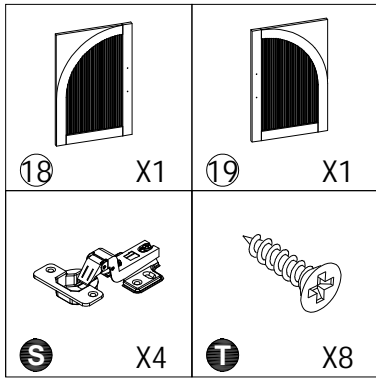
Before attaching the back panel be sure that the unit is at 90°.



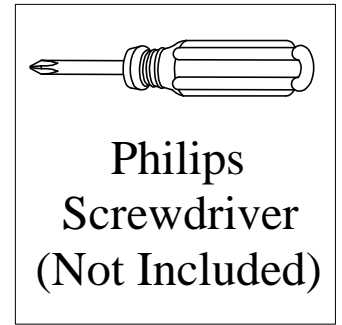
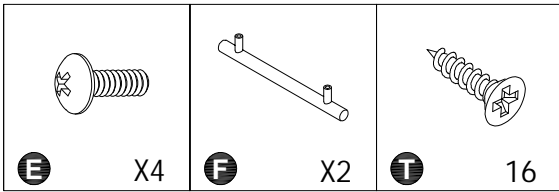
STEP 17



STEP 18



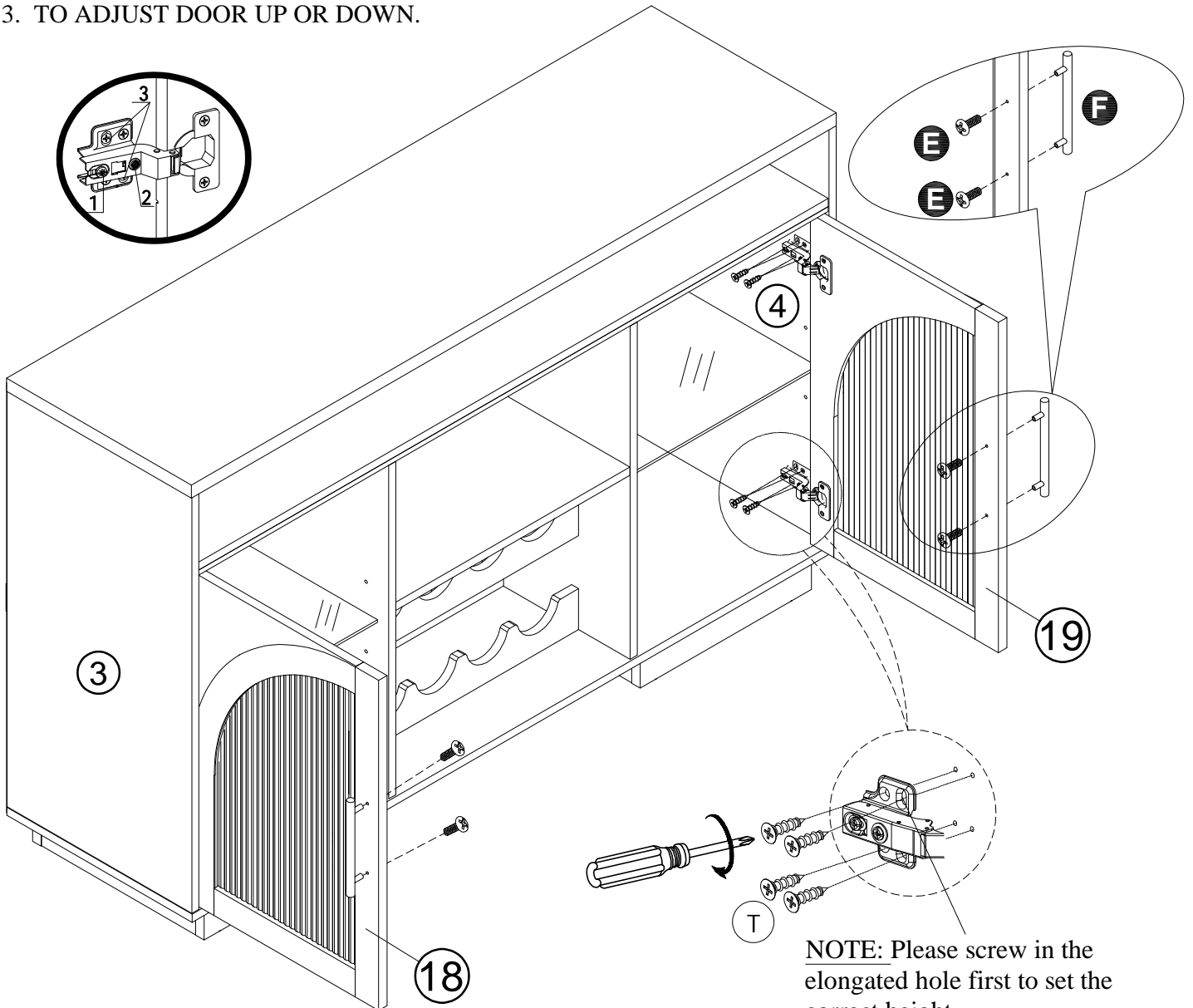
STEP 19



How to adjust the European adjustable hinges on doors

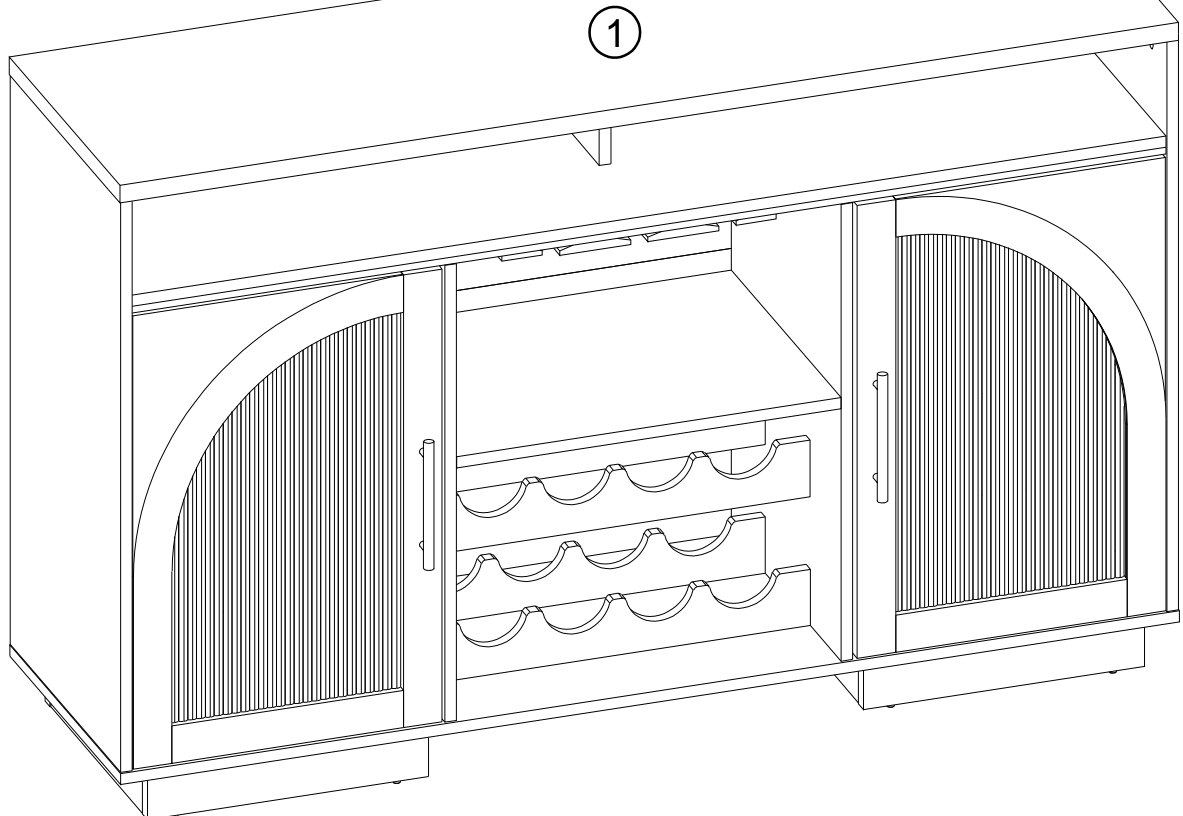
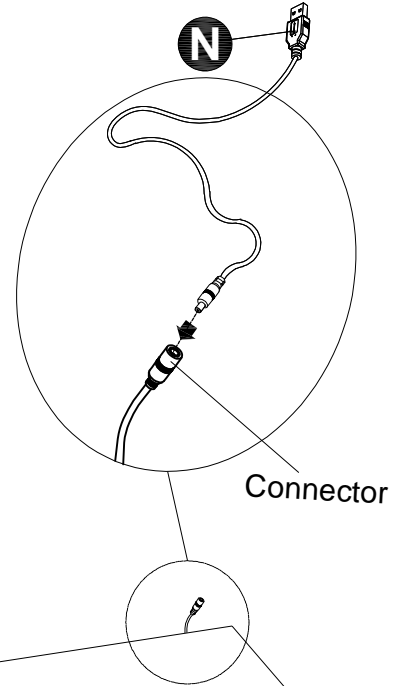
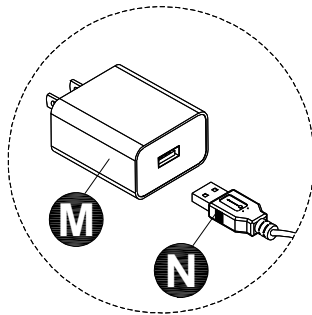
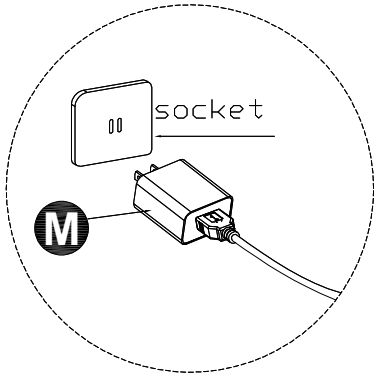
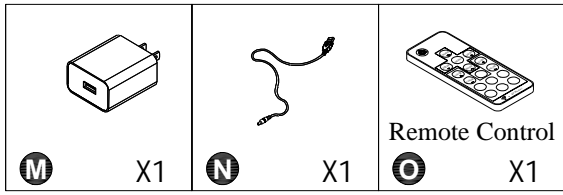
Shipping may cause doors to go out of alignment. If you find that the doors need to be adjusted slightly, turn the appropriate screw as illustrated.

1. TO ADJUST DOOR FORWARD OR BACKWARD.
2. TO ADJUST DOOR TO RIGHT OR TO LEFT.
3. TO ADJUST DOOR UP OR DOWN.

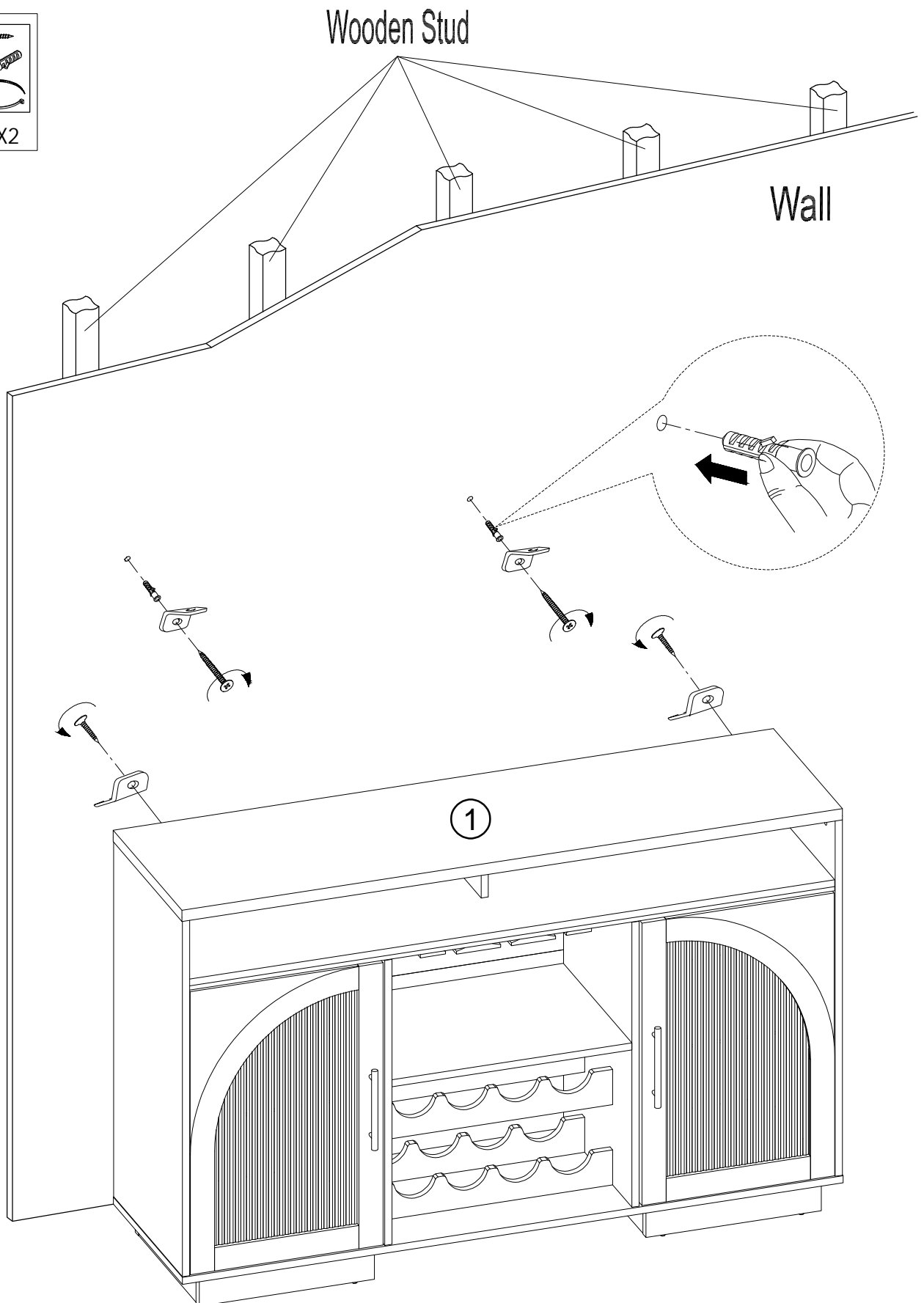
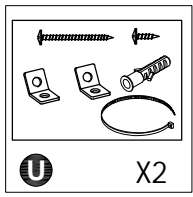


NOTE: Please screw in the elongated hole first to set the correct height.

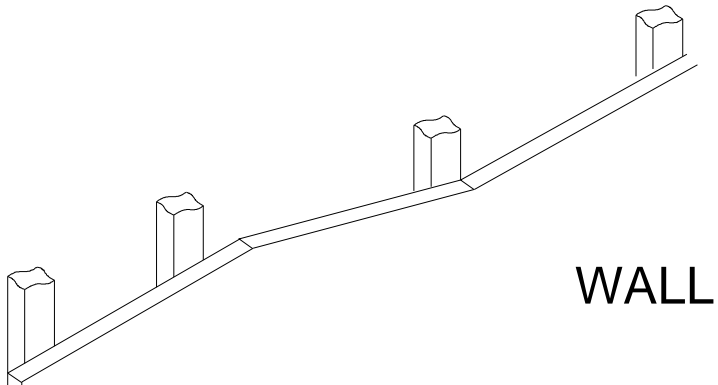
STEP 20



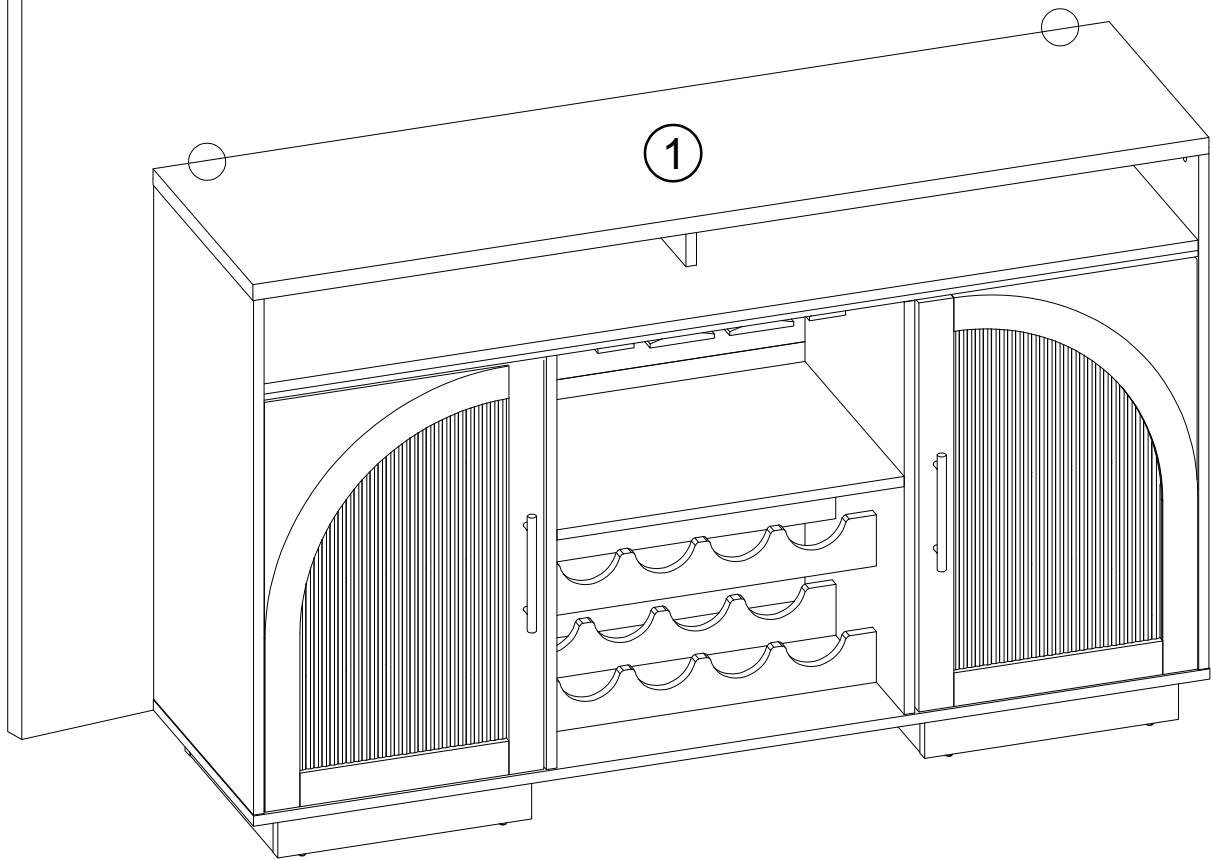
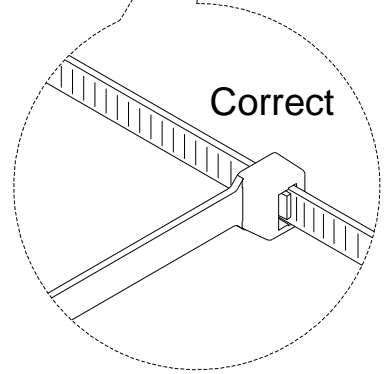
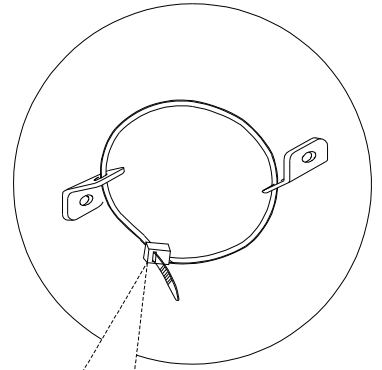
STEP 21



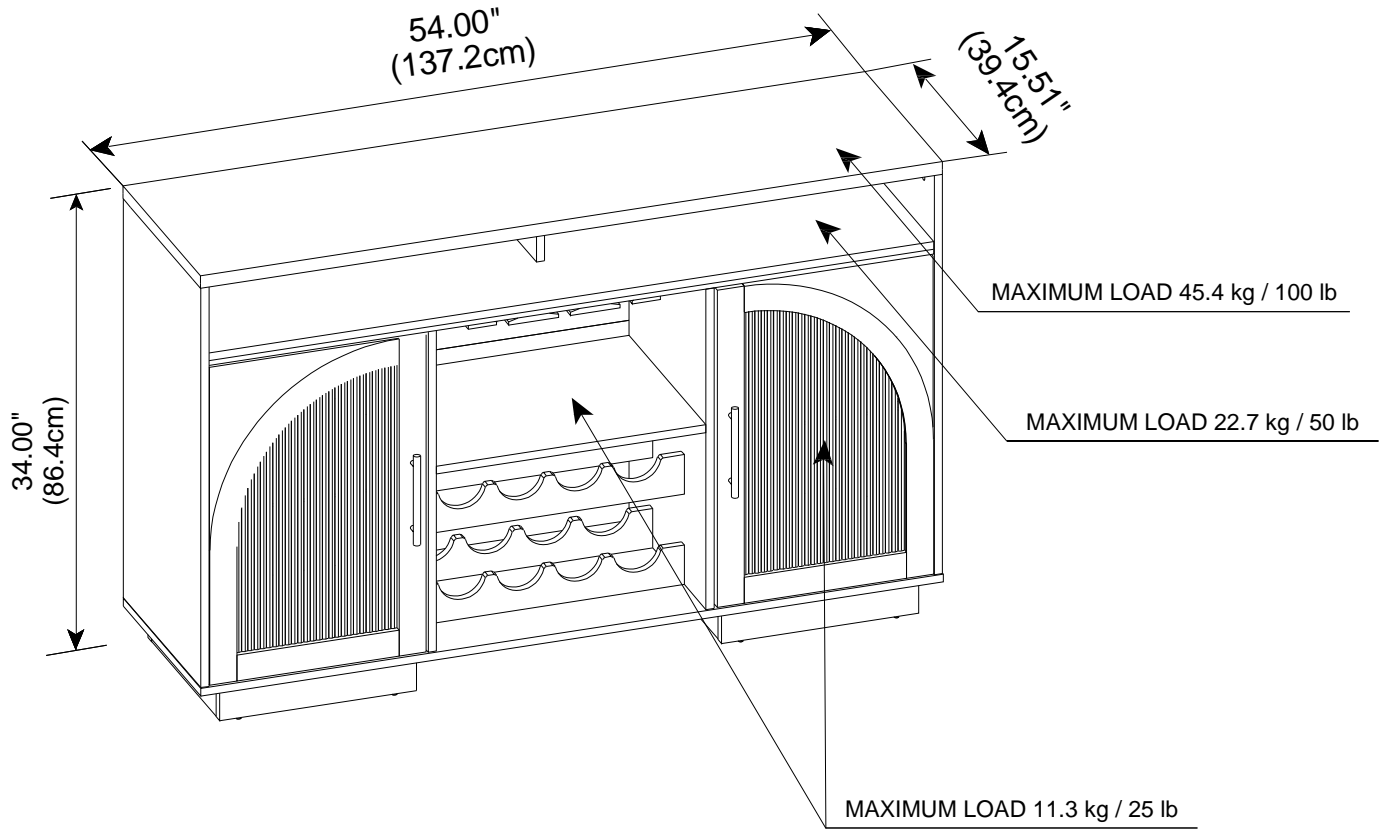
STEP 22



WALL



STEP 23



SPECIFICATIONS

ASSEMBLED DIMENSIONS(W x D x H)

54.00" x 15.51 " x 34.00"

137.2 x 39.4 x 86.4 cm

MAXIMUM WEIGHT CAPACITY

Top: 100 lb