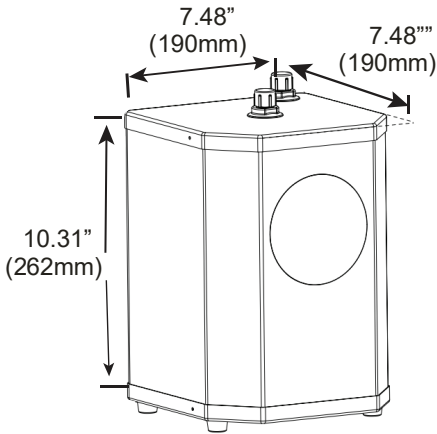


American Standard

Instant Hot Water Dispenser

Dimensions



Designer Faucets Available. Sold Separately.

Model# ASH-410-D

- **DIGITAL TANK TEMPERATURE DISPLAY & CONTROL**
- **ADJUSTABLE TEMPERATURE IN 1° INCREMENTS**
- **STAINLESS STEEL HOUSING**
- **STAINLESS STEEL HEATER ELEMENT**
- **STAINLESS STEEL INLET, AND OUTLET TUBES**
- **COMPATIBLE WITH RO SYSTEM**

INSTALLATION:

Easy to install quick-connect fittings and convenient connections reduce probability of kinked or twisted water lines.

CONSISTENT PERFORMANCE:

1300 WATT HEATING allows fast recovery time. A large 2.5 quarts (2.4L) reservoir delivers a generous 60+ cups per hour capacity.

RELIABLE PERFORMANCE:

Due to the high temperature of the water, the tank is not under pressure. Our self-contained expansion chamber reduces dripping.

FINGERTIP ADJUSTMENT:

208°F (98°C) hot water at your fingertips adjusts from 122°F (50°C) to 208°F (98°C). Great for cooking, instant coffee, tea or use in a wet bar.

AUTOMATED HEATER PROTECTION:

Self re-setting thermal fuse protects the product in the event of a dry start up.

ENERGY EFFICIENT:

Uses less electricity than a 40 watt light bulb. Comes with installed power cord.

WARRANTY:

3 Year Canada and USA

Specifications

Watts	1300
Voltage	120V / 220V
Current-Amps	10.8 / 5.9
Hz	50/60Hz
Tank	Insulated stainless steel
Capacity	2.5 Quarts (2.4L) 60+ Cups Per Hour
Temperature Range	Adjustable from 122°F (50°C) to 208°F (98°C)
Outside Case	Stainless steel
Drain Plug	Removable
Faucet	Open vent faucet required (Supplied Separately)
WaterConnections	Quick connect
Weight	1 ASH-410-D w/o faucet Shipping 12 lbs. (5.5Kg)

Due to continued product improvement, system configurations and specifications may change without notice.

Customer Service
 Servicio al Cliente
 1-833-776-0014
 Monday- Friday 8:00am-5:00pm PST
 English & Spanish
 Lunes a Viernes 8:00-17:00 PST Inglés y Español