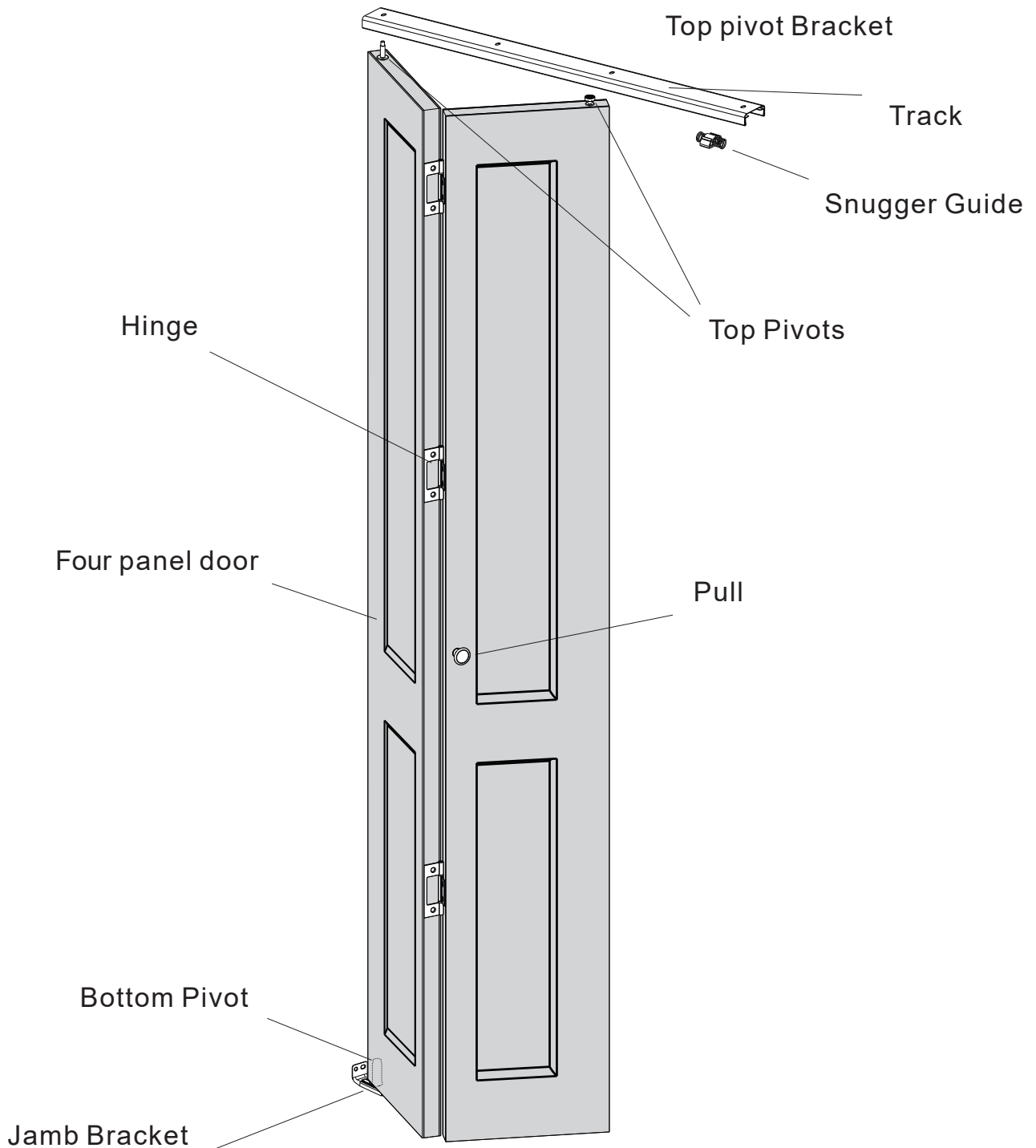


Bi Fold door Installation manual

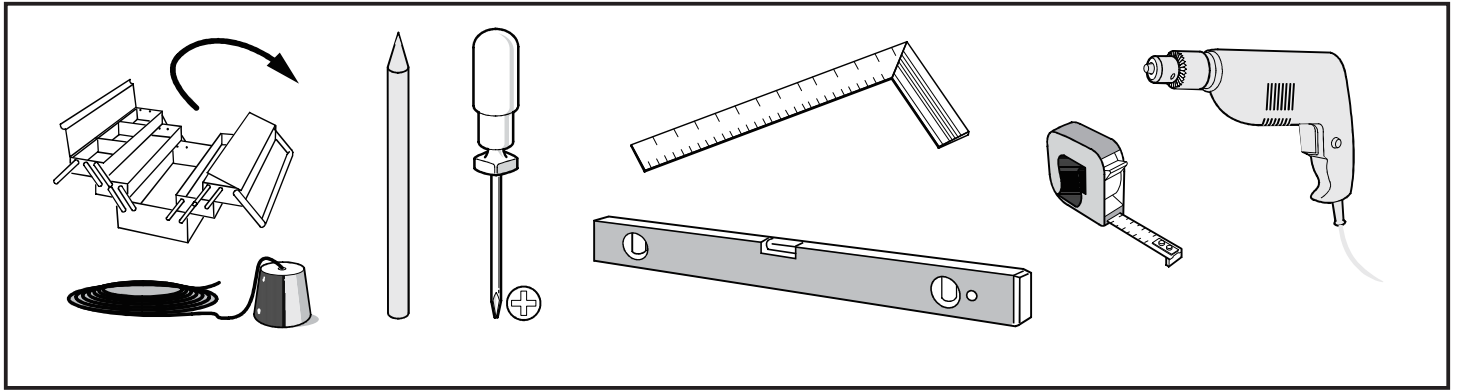
Any question please contact us:
support@jubest.com

MYBD2P-W30AL+HD

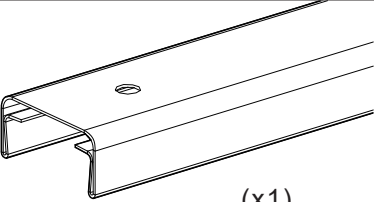

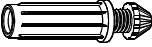
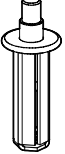
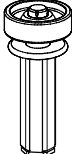
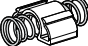
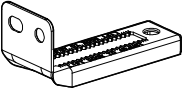


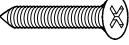

24X80" bi fold door fits 24 to 24-3/8X80 to 80-3/4" finished door opening
30X80" bi fold door fits 30 to 30-3/8X80 to 80-3/4" finished door opening
36X80" bi fold door fits 36 to 36-3/8X80 to 80-3/4" finished door opening



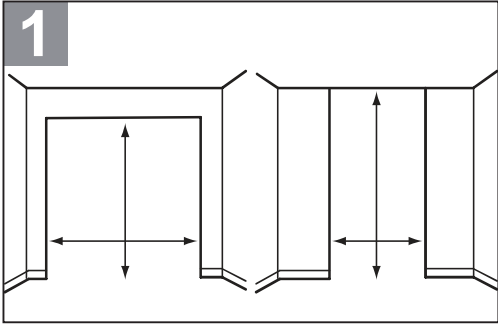
TOOLS REQUIRED



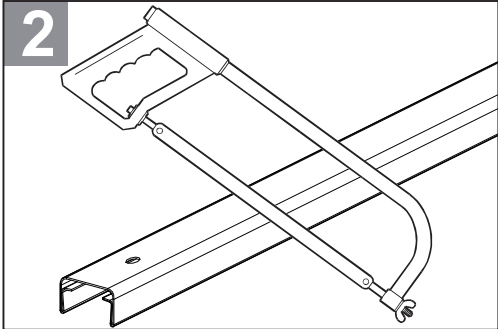
HARDWARE INCLUDED

<p>A</p>  <p>(x1)</p>	<p>B</p>  <p>(x1) (x1)</p>	<p>C</p>  <p>(x1)</p>
<p>D</p>  <p>(x1)</p>	<p>E</p>  <p>(x1)</p>	<p>F</p>  <p>(x1)</p>
<p>G</p>  <p>(x1)</p>	<p>H</p>  <p>(x1)</p>	<p>I</p>  <p>(x1) M4x40 (x1) 5/32"x1-37/64"</p>
 <p>ST3.5x25 (x12) 9/64"x63/64"</p>	 <p>ST4. 2x38 (x7) 11/64"x1-1/2"</p>	

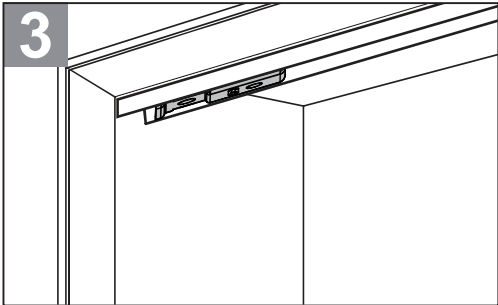
INSTRUCTIONS



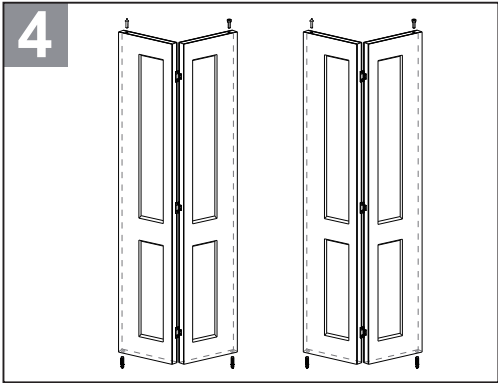
1. Measure accurate height and width of finished opening
Finished Opening: _____ height _____ width _____



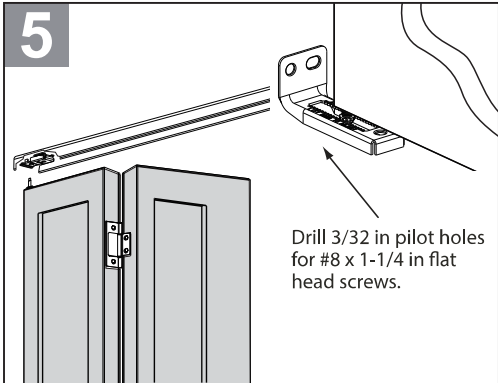
2. Cut track
If necessary, cut track to 1/8"(3mm) less than the width of finished



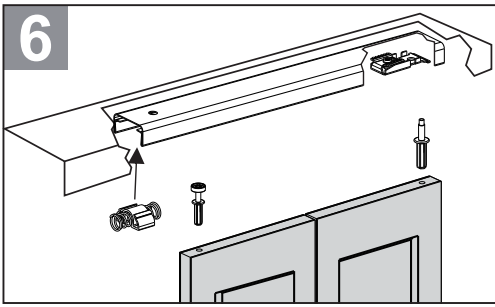
3. Install Track
Ensure the pivot bracket in track is at the inside that you want doors to open toward. Then use ST11/64"x1-1/2"(4.2mmx38mm) screws provided to fasten track along the center line of the header.



4. Tap in pivots and guide
Tap in pivots Tap top pivots and bottom pivot into place. Several light taps directly on top of the pivot should seat it properly.

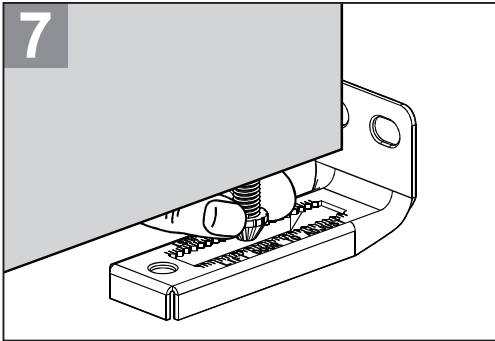


5. Install pivot door panel
Install the door by inserting the top pivot into the pivot bracket in track. Lift the door and seat bottom pivot into jamb bracket



6. Install snugger guide

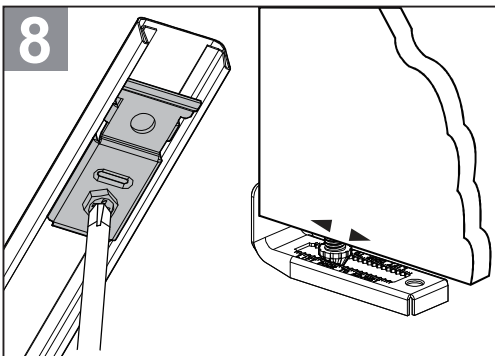
Depress guide pivot and position under track and release so guide pivot is securely positioned in track.



7. Adjust door height

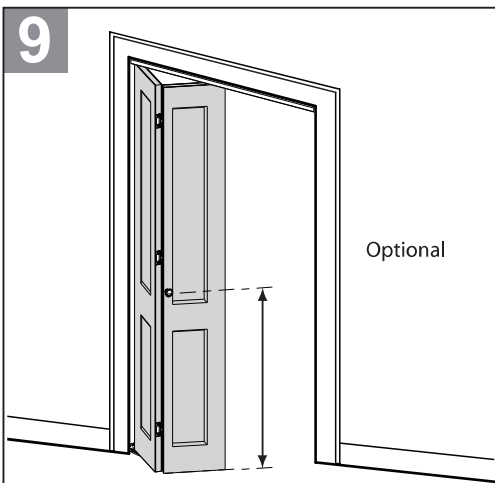
Lift door and remove bottom pivot bolt from jamb bracket. Rotate bottom pivot bolt to adjust for proper height. Rotate clockwise to raise door, counter-clockwise to lower door.

Note: Do not turn pivot bolt while engaged in the jamb bracket.



8. Adjust door for proper alignment

Lift door and slide bottom pivot bolt into desired position. Use screwdriver to loosen screw in top pivot bracket, then slide it until door is plumb. Tighten screw to secure top pivot bracket.



9. Door pull

Drill hole in the center of the guide door panel, approximately 36"-40" (914mm-1016mm) from the floor. Insert M5/32"x1-37/64" (4x40mm) screw provided from pack and fasten pull.