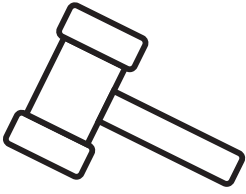


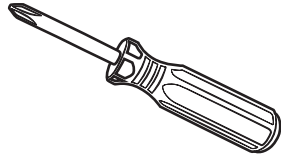
USER MANUAL

▼
CABINET **E**

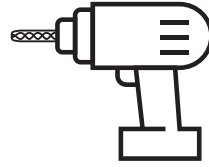
TOOLS REQUIRED



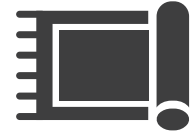
Phillips screwdriver
(Not included)



Hammer
(Not included)



Drill
(Not included)



Protective blanket
(Not included)



ATTENTION

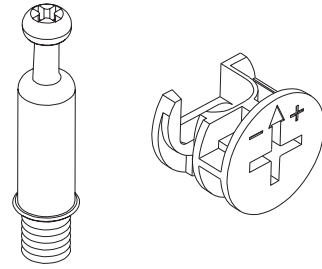
Keep children and pets away while assembling.



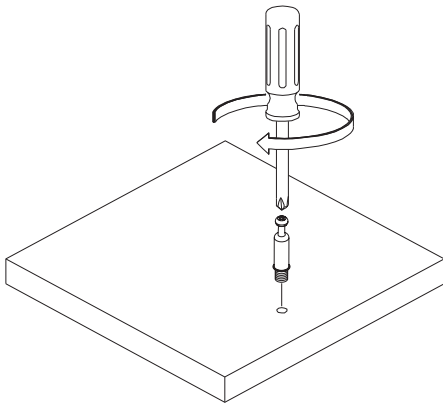
HOW TO USE CAM LOCKS

CAM LOCK FASTENING SYSTEM

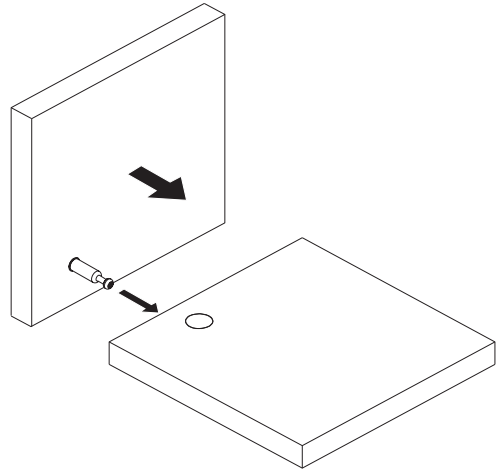
This Cam Lock Fastening System will be used throughout the assembly process.



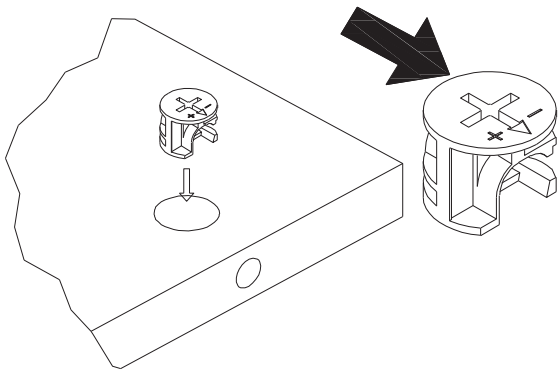
1



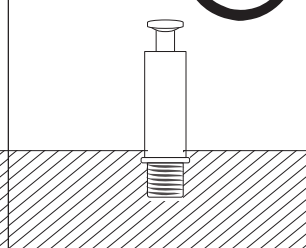
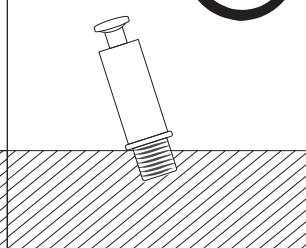
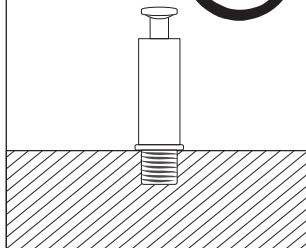
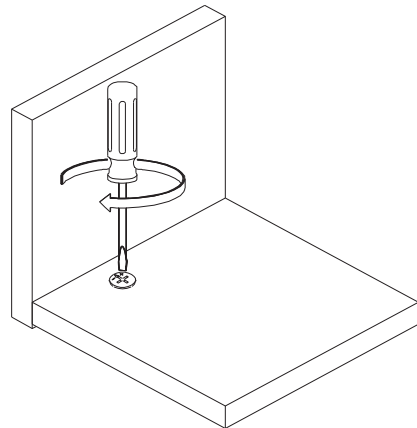
2



3



4



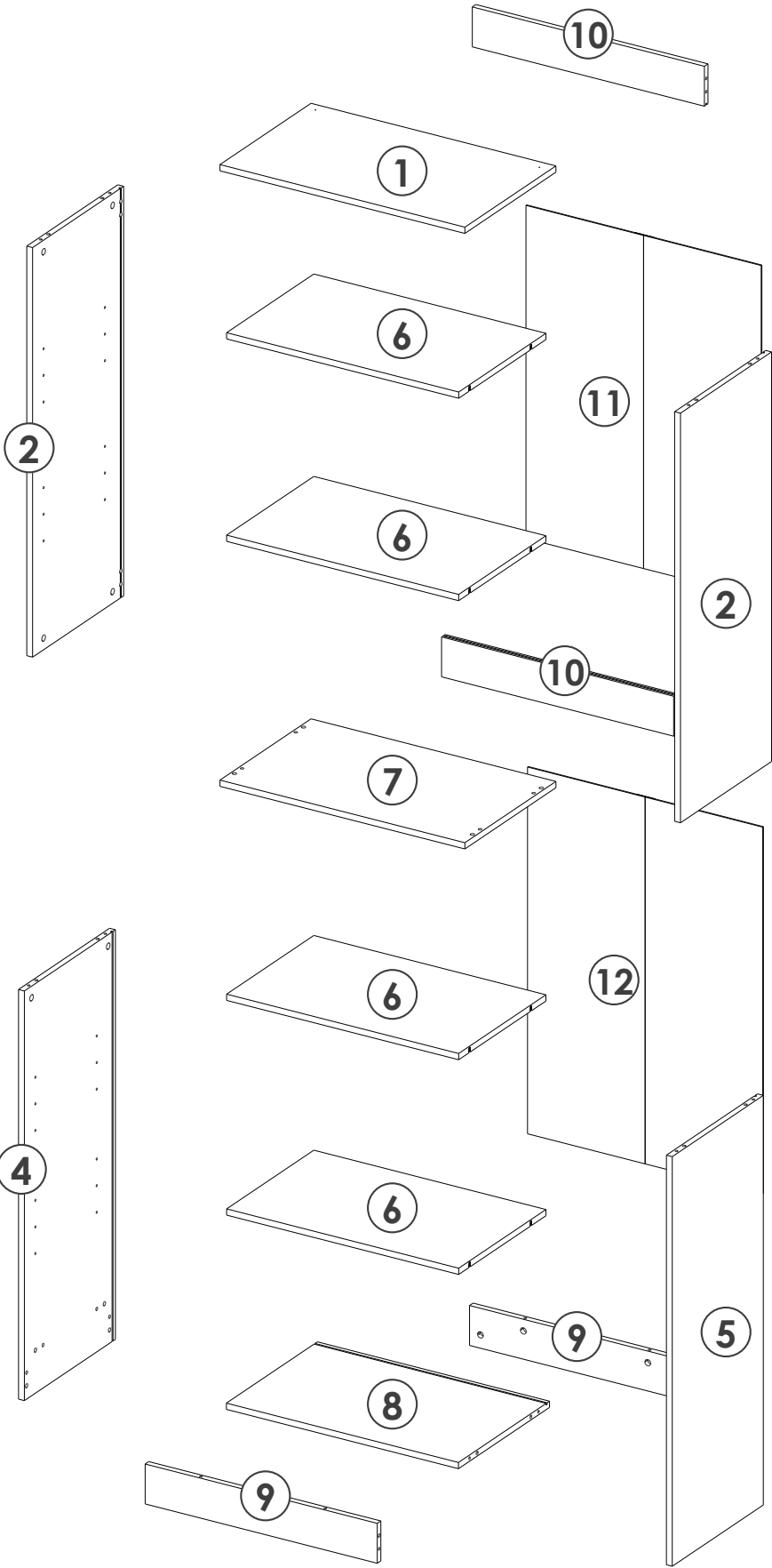
INTRODUCTION

Thank you very much for choosing our Wardrobe. Please read the instruction carefully before assembly and keep it for future reference. If you need further assistance on assembly, please contact our customer service through email.

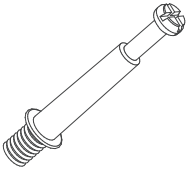
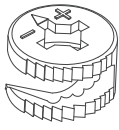
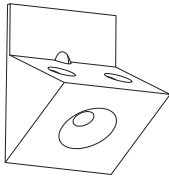
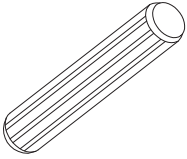

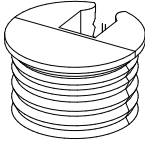
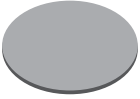
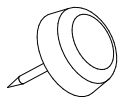




Tips:

1. When installing the product, use a soft underlay (such as carpet or cardboard) to avoid scratching or damaging the surface of the product.
2. Don't tighten screws completely at first, just in case parts were assembled wrong and need disassemble. Tighten screws at last when all parts are put together.
3. The structure of this product can not meet the requirements of the placement of heavy items and children climbing.

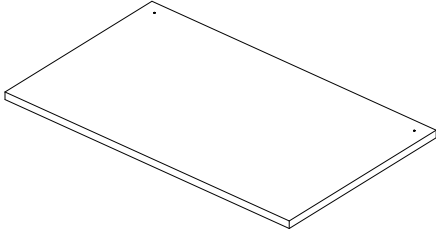
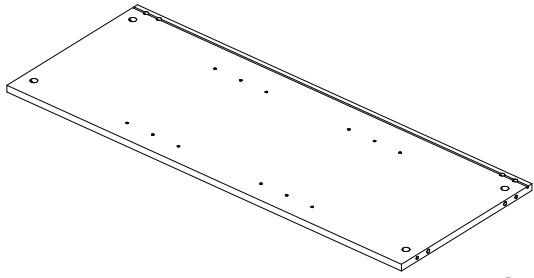
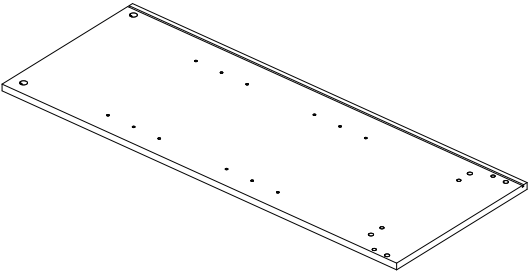
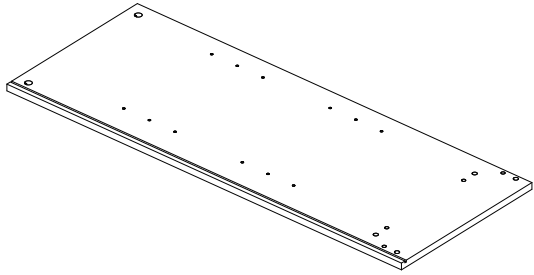
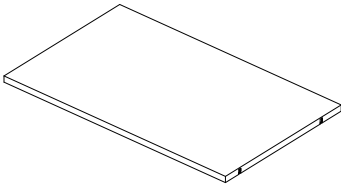
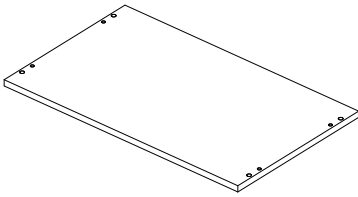
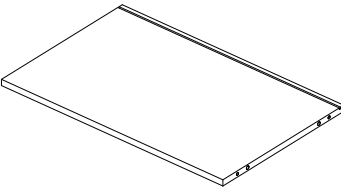
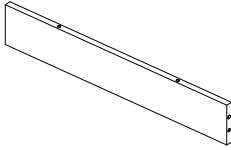
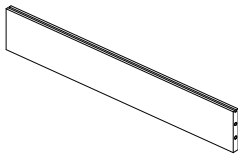
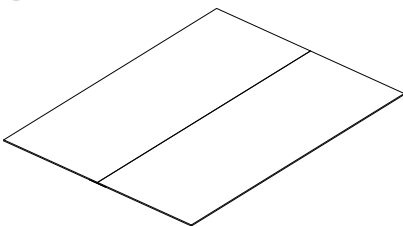
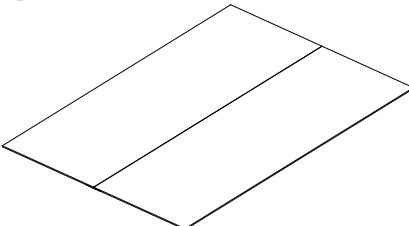
PLATE NUMBER



HARDWARES LIST

<p>A x32</p>  <p>M6x35mm</p>	<p>B x32</p>  <p>M15*10mm</p>	<p>C = C1+C2 x16</p>  <p>C1 C2</p> <p>M3*14mm</p>	
<p>D x20</p>  <p>M8*40mm</p>	<p>E = E1+E2 x16</p>  <p>E1</p>  <p>E2</p>		<p>F x12</p>  <p>21mm</p>
<p>G x8</p> 	<p>H = H1+H2+H3+H4 x2</p>  <p>H1</p>  <p>H2</p>  <p>H3</p>  <p>H4</p>		

PARTS LIST

<p>①</p>  <p>x1 pc</p>	<p>②</p>  <p>x2 pcs</p>	
<p>④</p>  <p>x1 pc</p>	<p>⑤</p>  <p>x1 pc</p>	
<p>⑥</p>  <p>x4 pcs</p>	<p>⑦</p>  <p>x1 pc</p>	
<p>⑧</p>  <p>x1 pc</p>	<p>⑨</p>  <p>x2 pcs</p>	
<p>⑩</p>  <p>x2 pcs</p>	<p>⑪</p>  <p>x1 pc</p>	<p>⑫</p>  <p>x1 pc</p>

INSTALLATION INSTRUCTION

01

A x4pcs



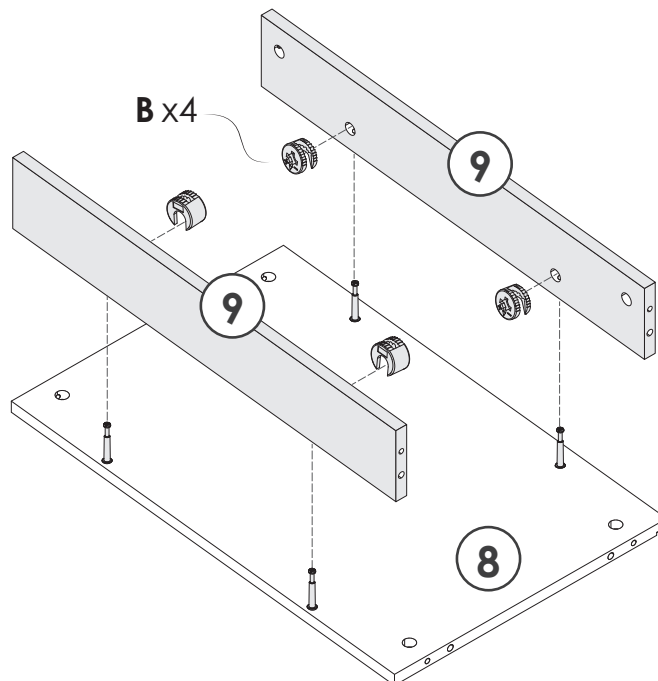
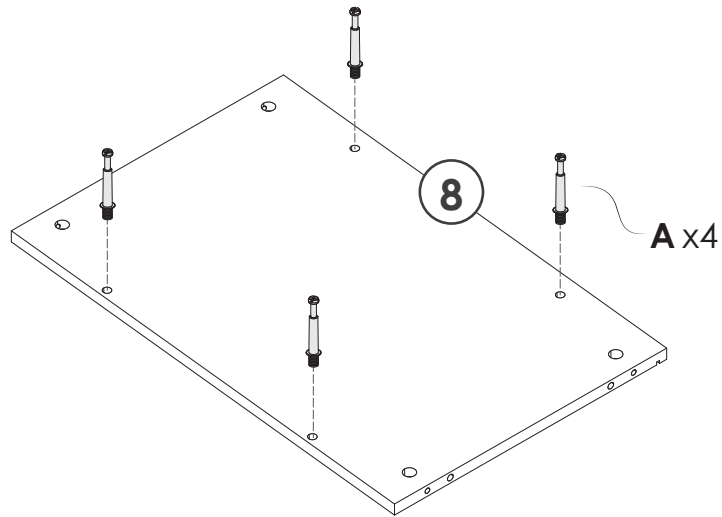
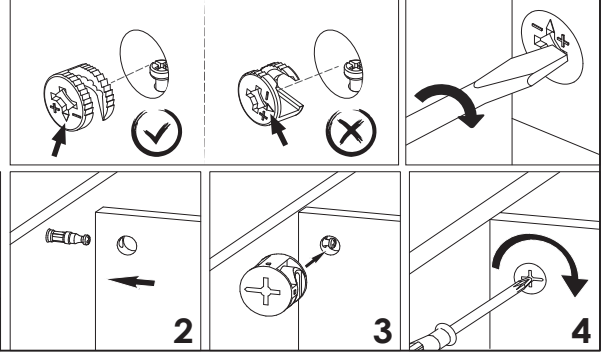
M6x35mm

B x4pcs



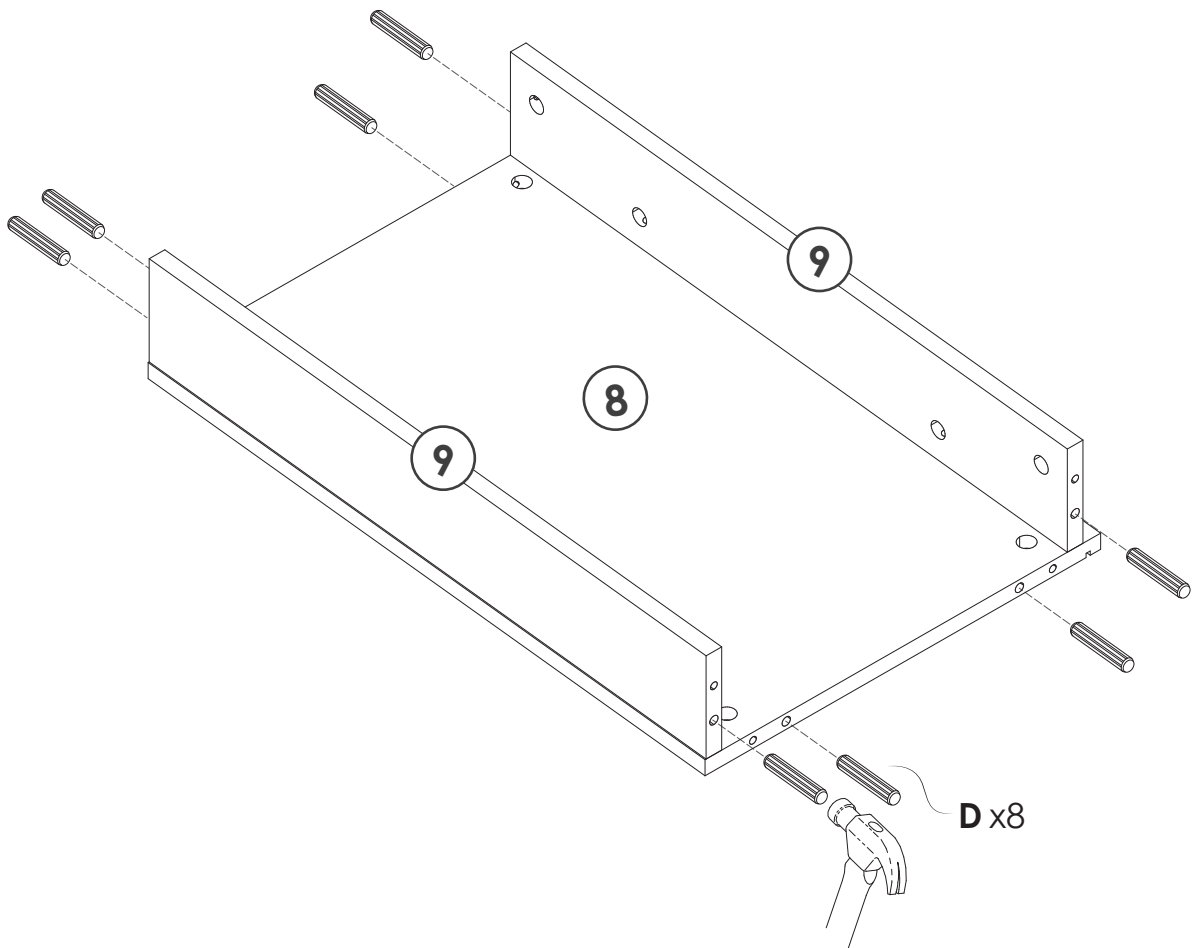
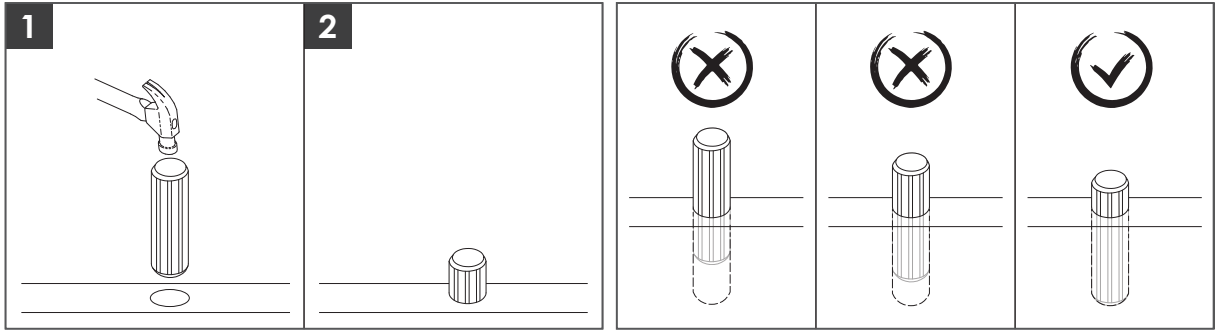
M15*10mm

Installation method of three in one rod and buckle



02

D x8pcs
M8*40mm



03

A x4pcs

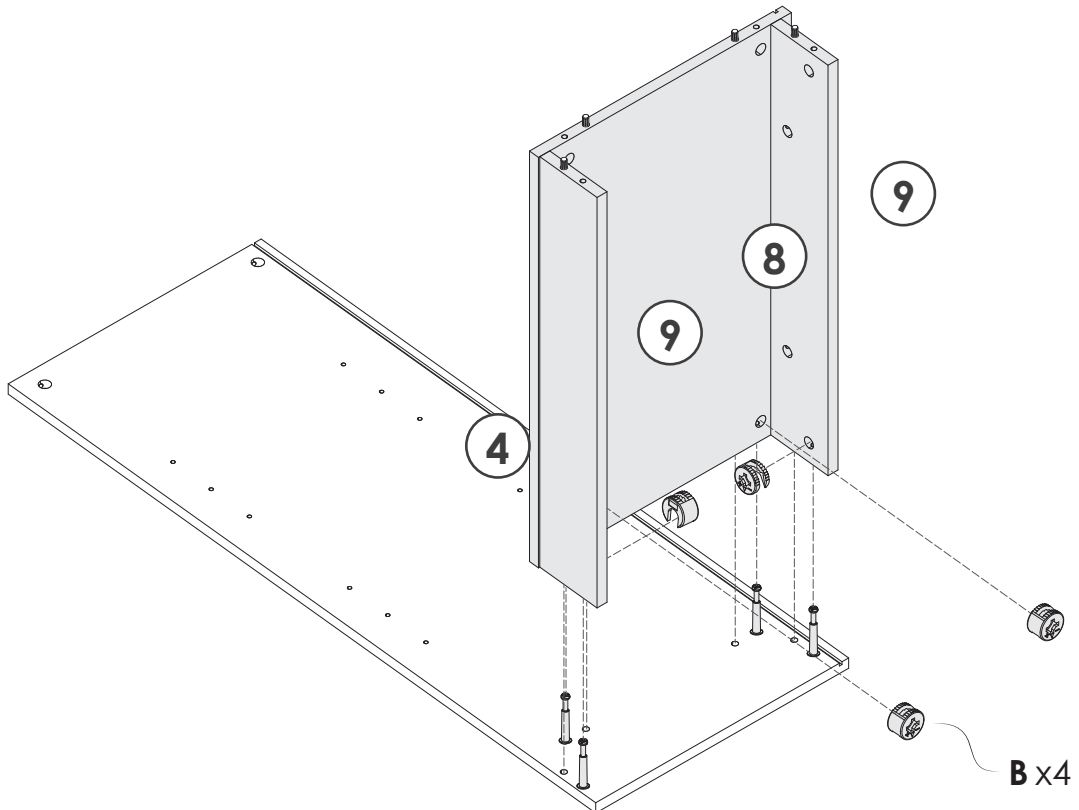
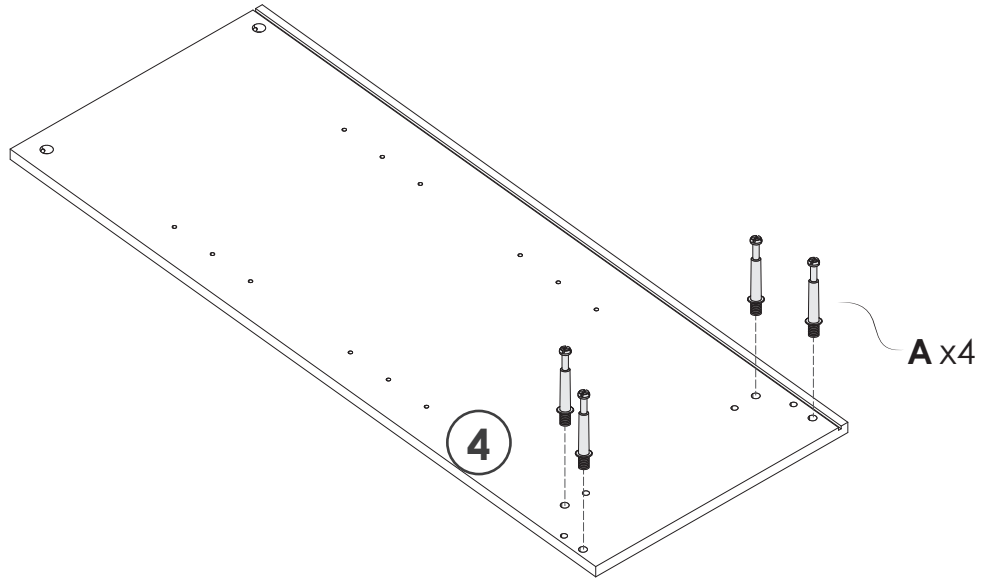


M6x35mm

B x4pcs



M15*10mm



04

A x4pcs

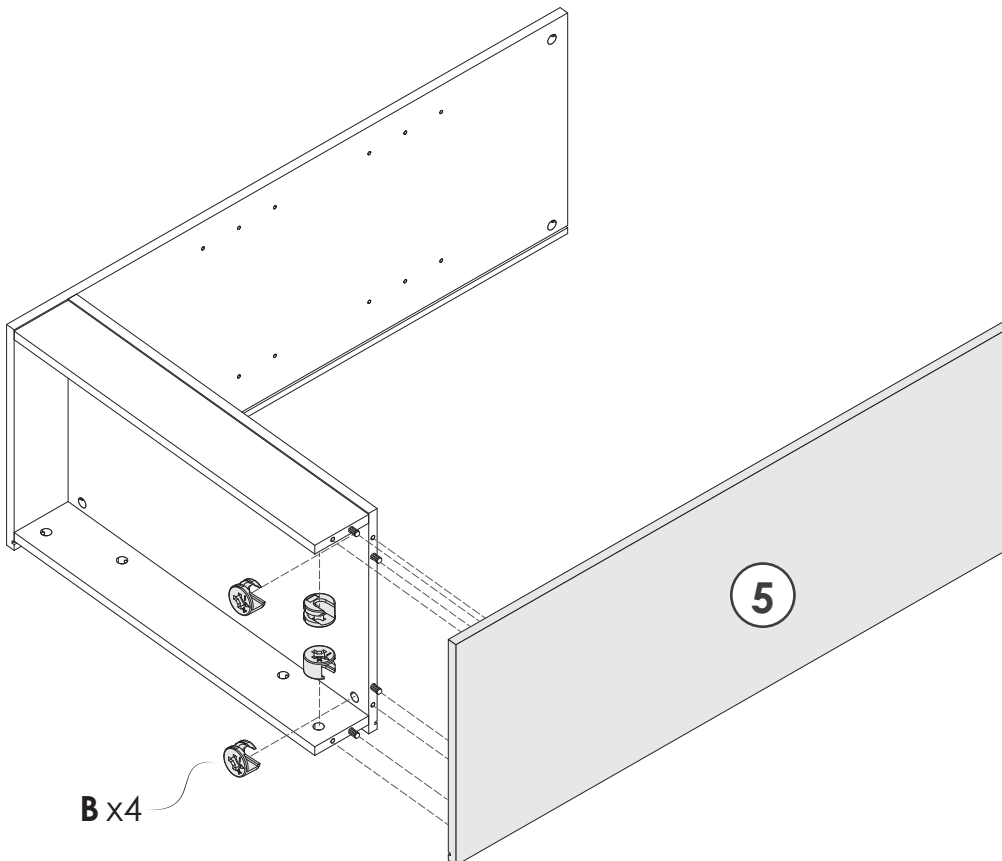
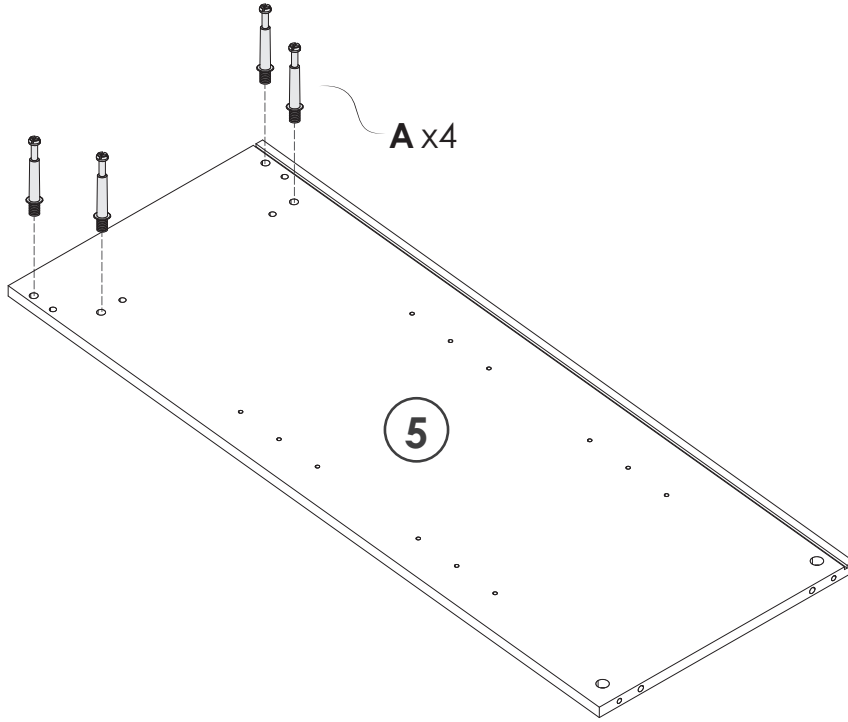


M6x35mm

B x4pcs

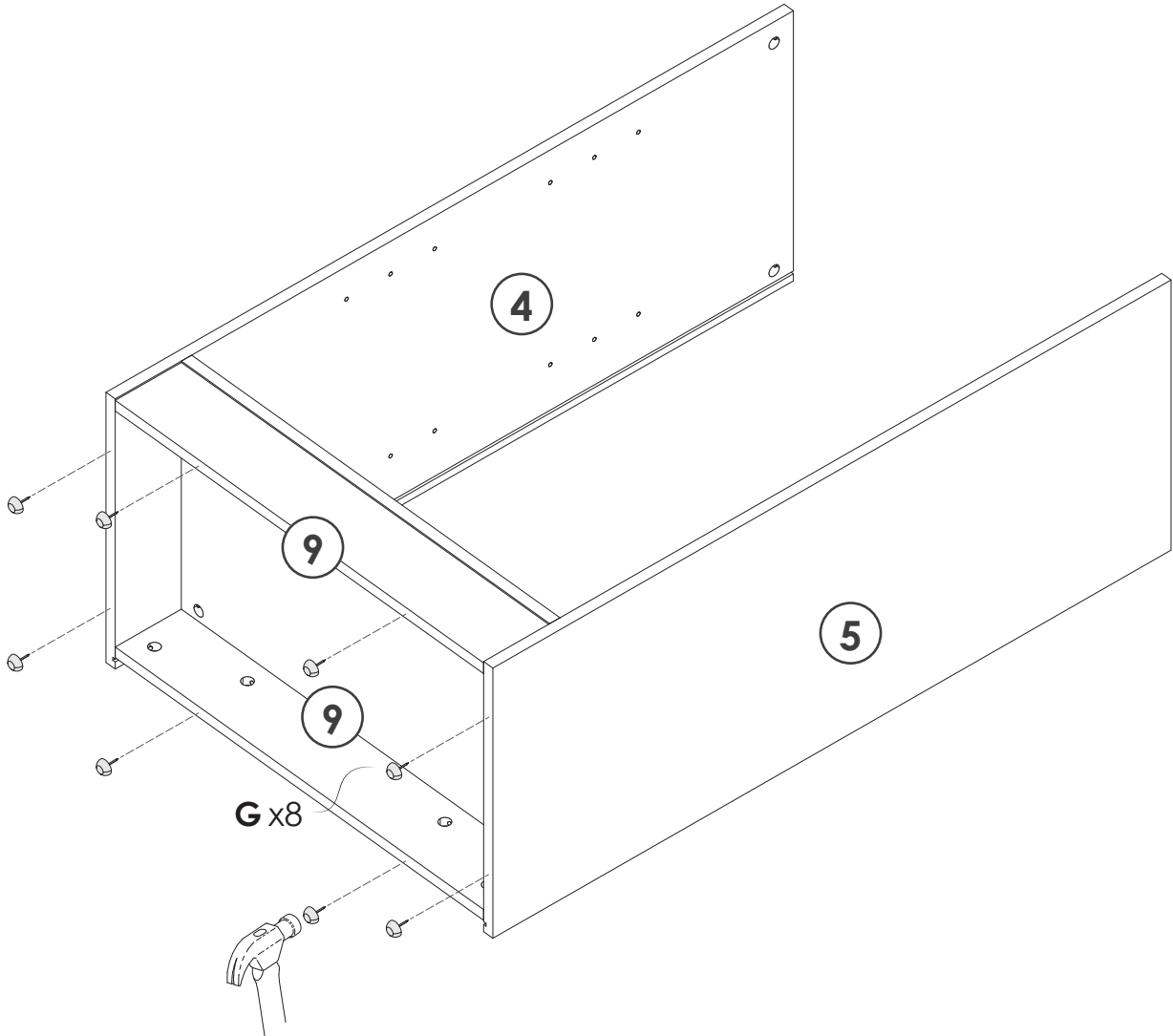


M15*10mm

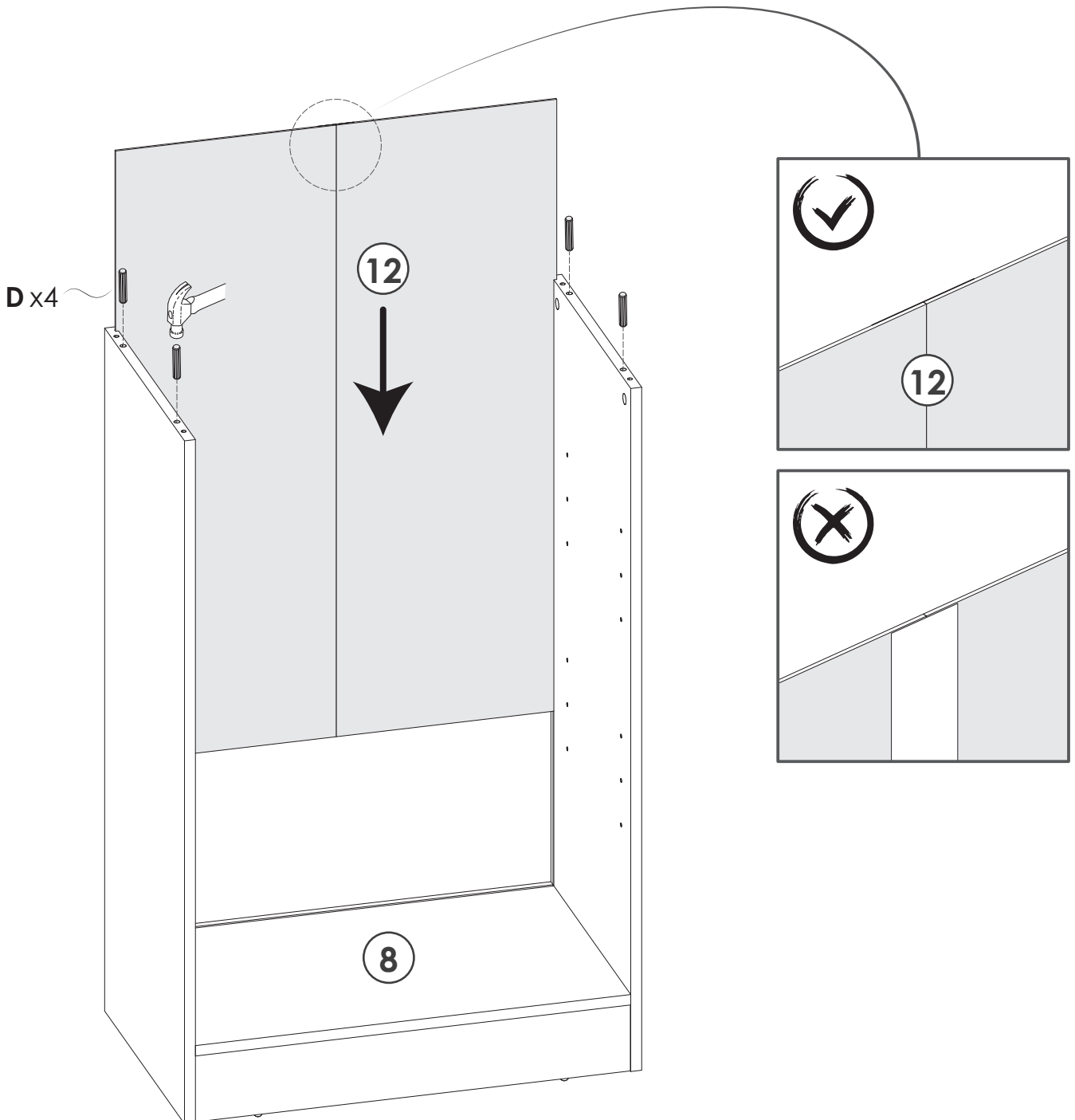
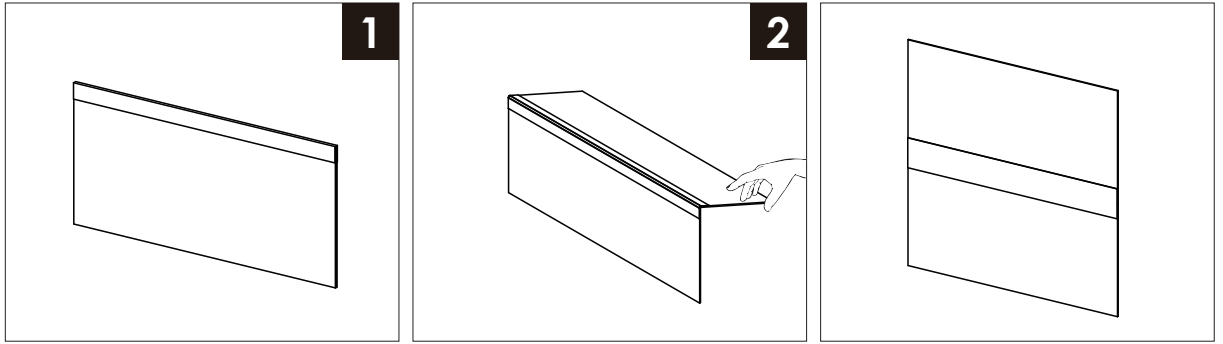
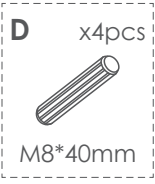


05

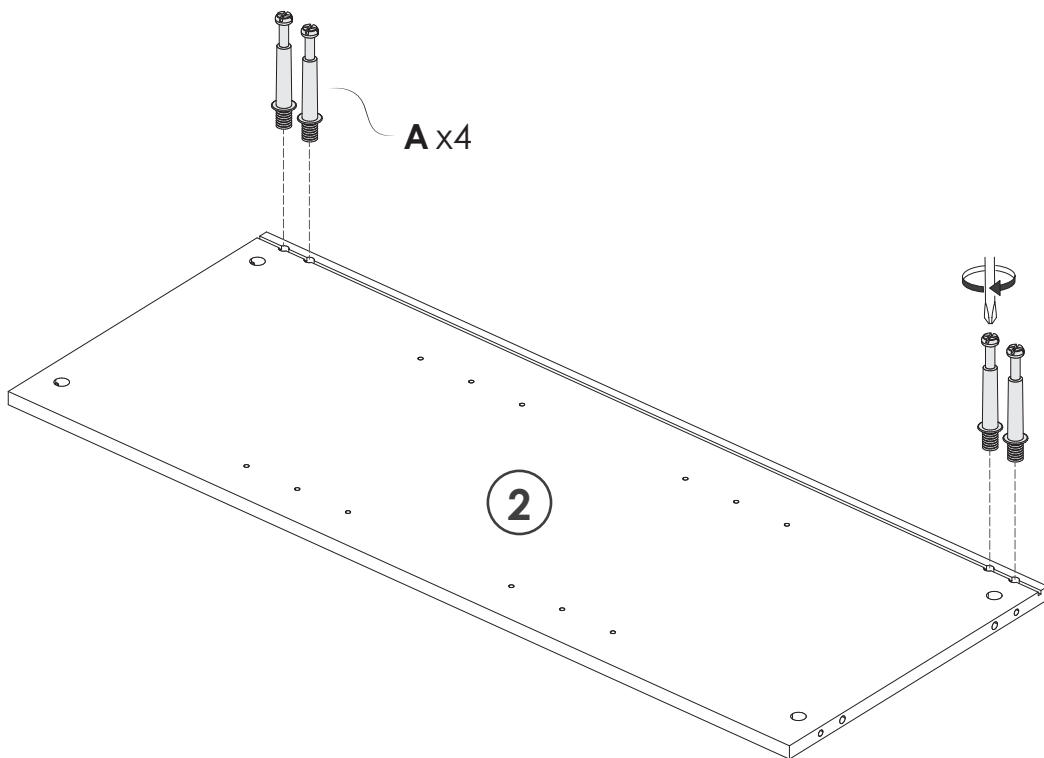
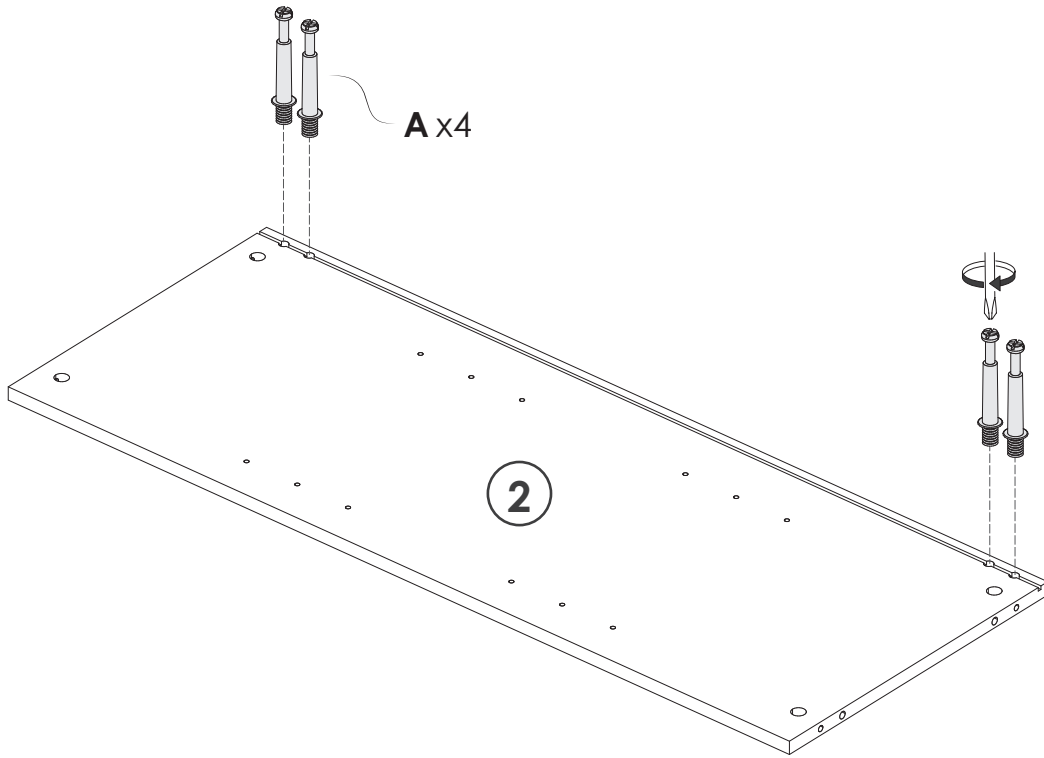
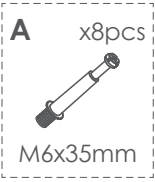
G x8pcs



06

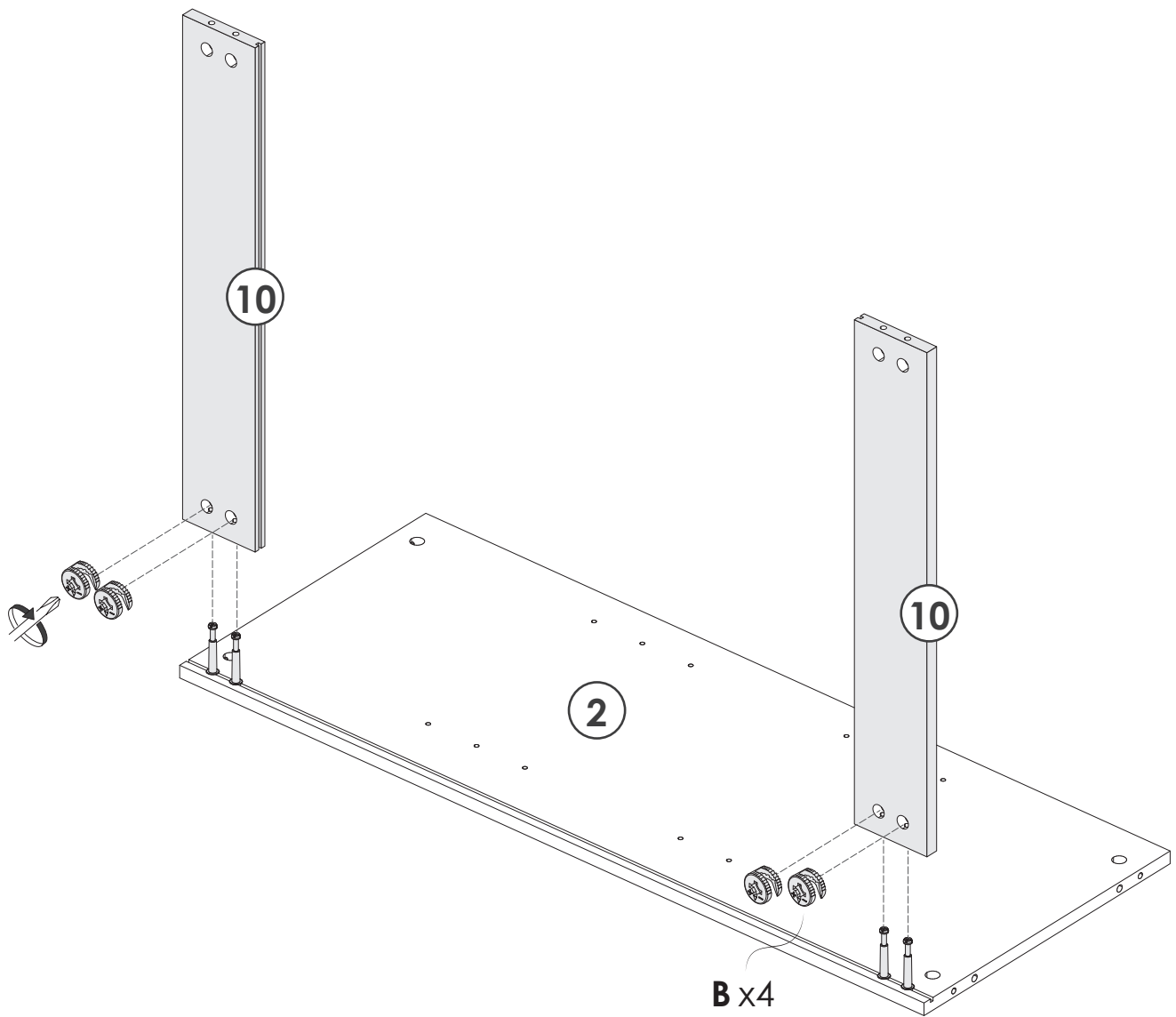


07

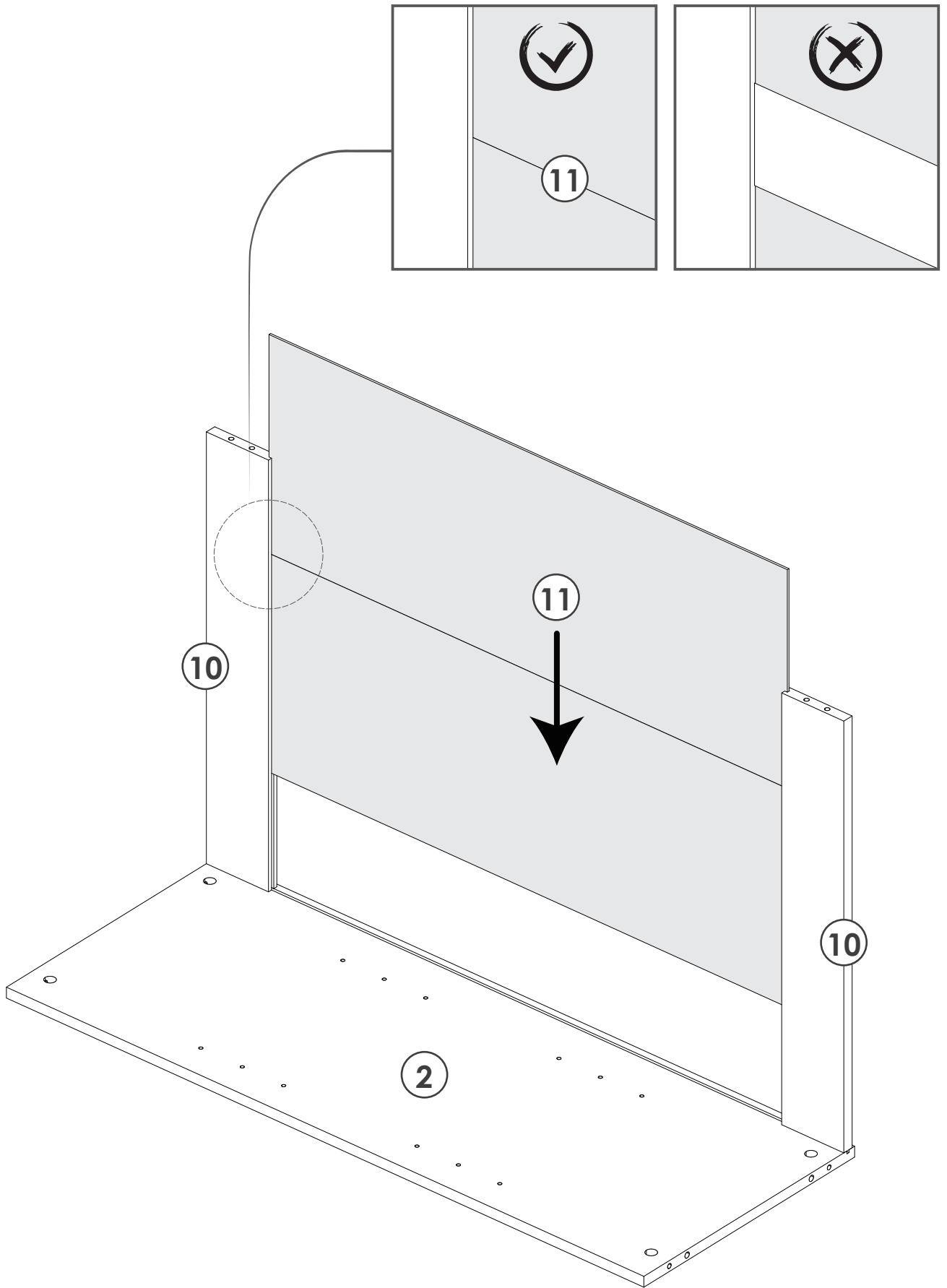


08

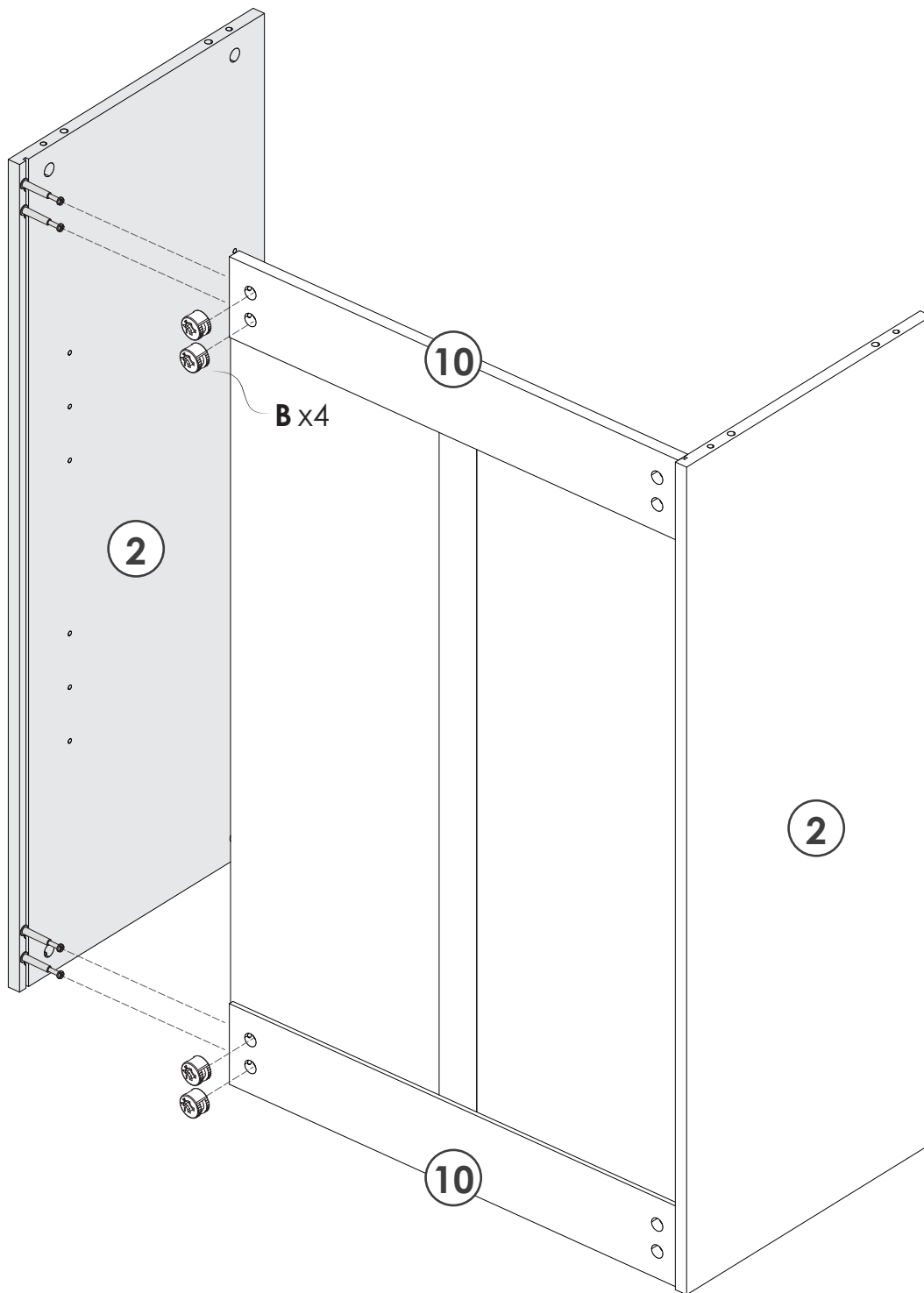
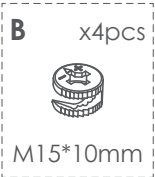
B x4pcs
M15*10mm



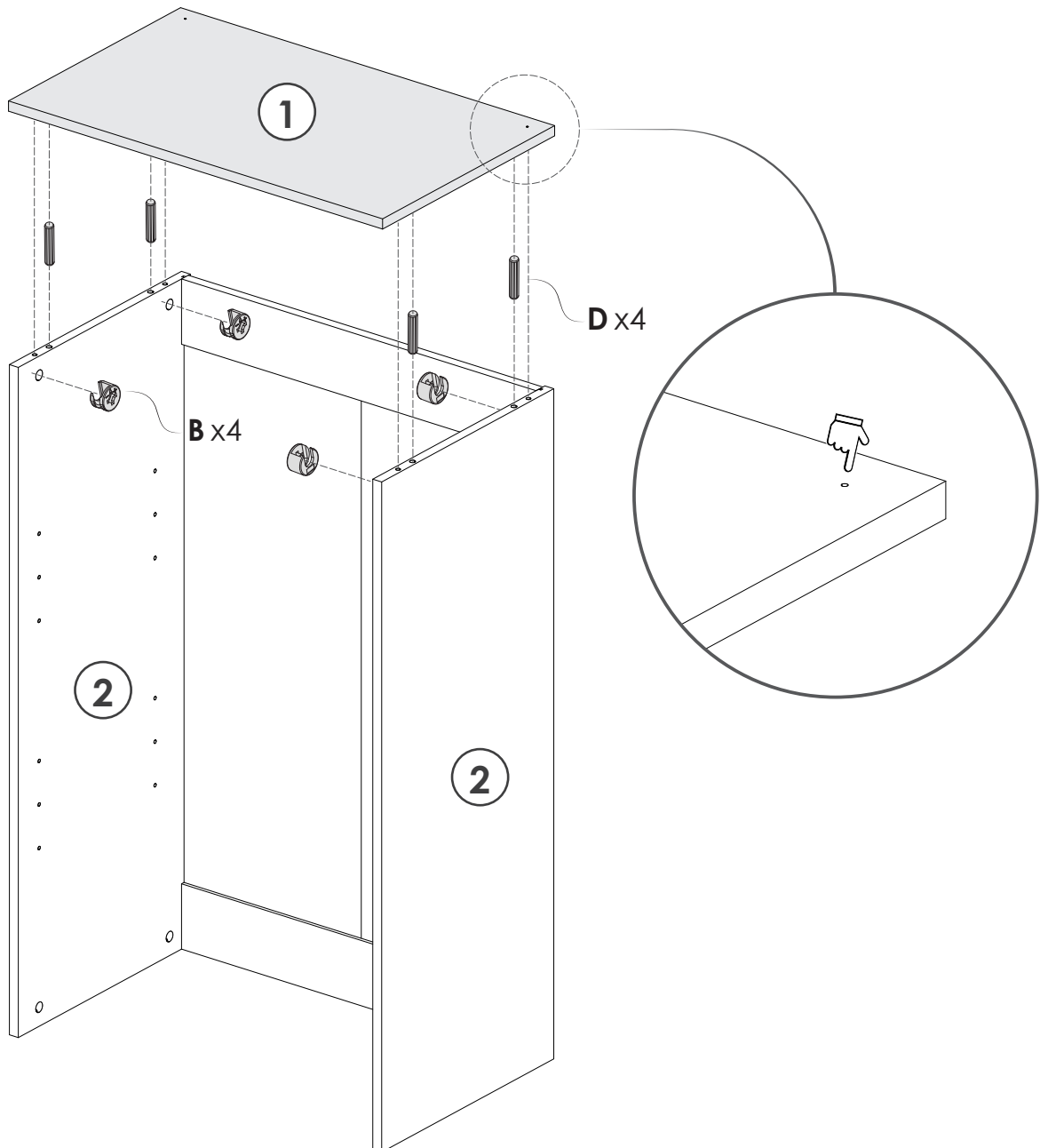
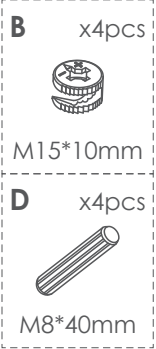
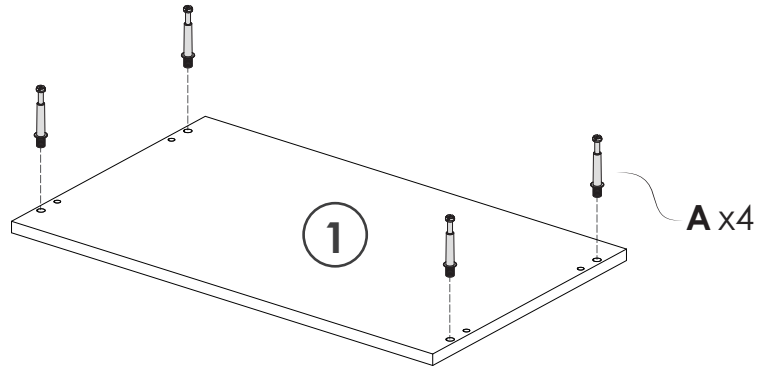
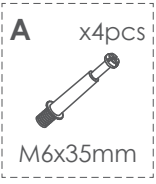
09



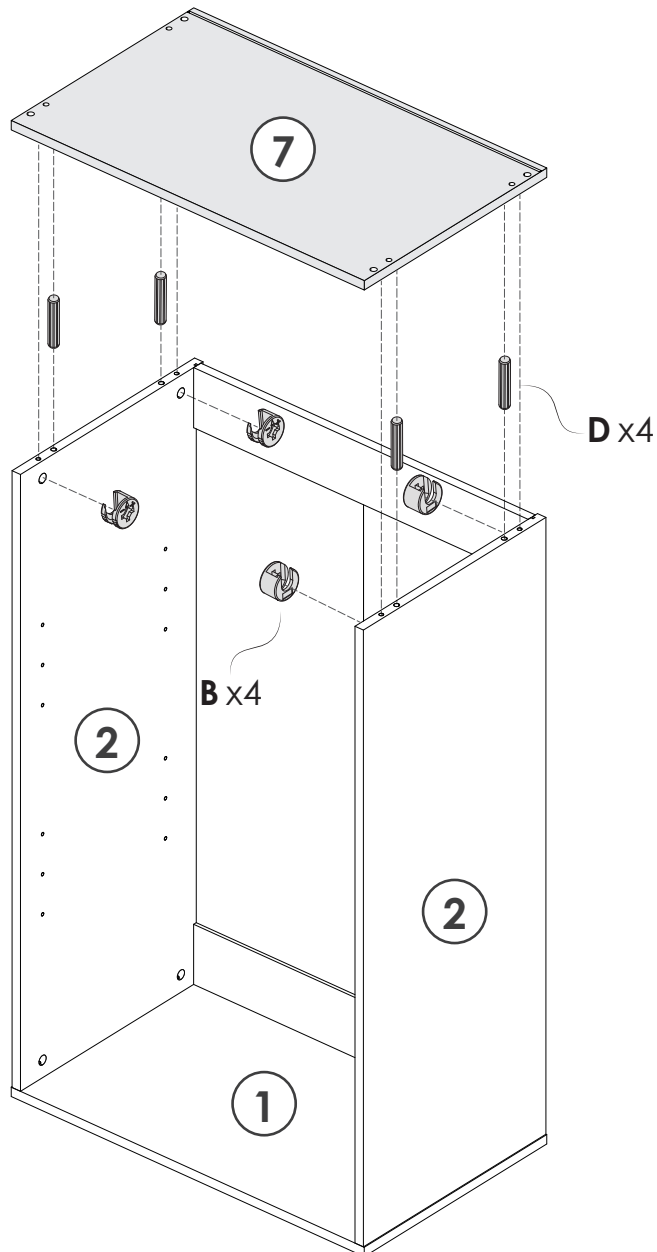
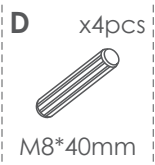
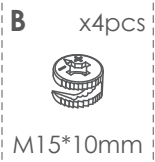
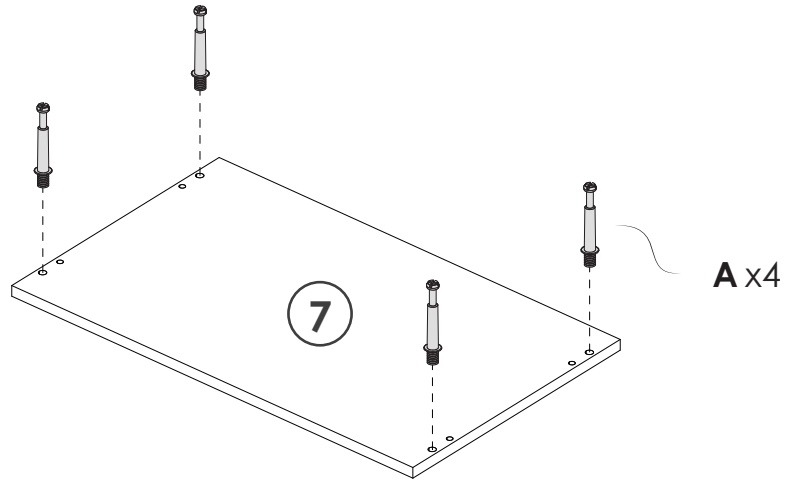
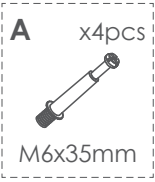
10



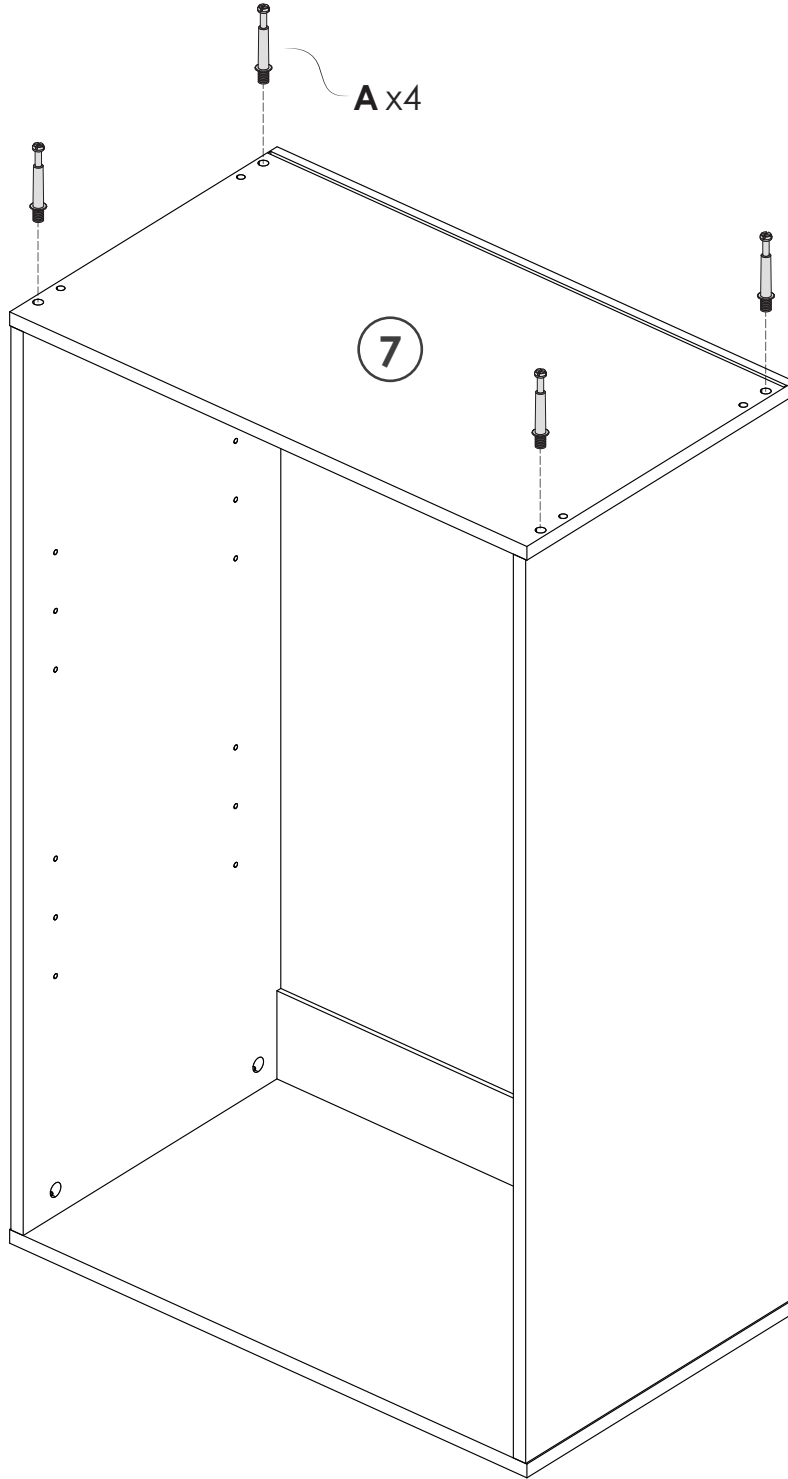
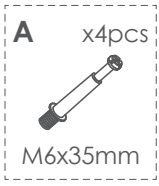
11



12

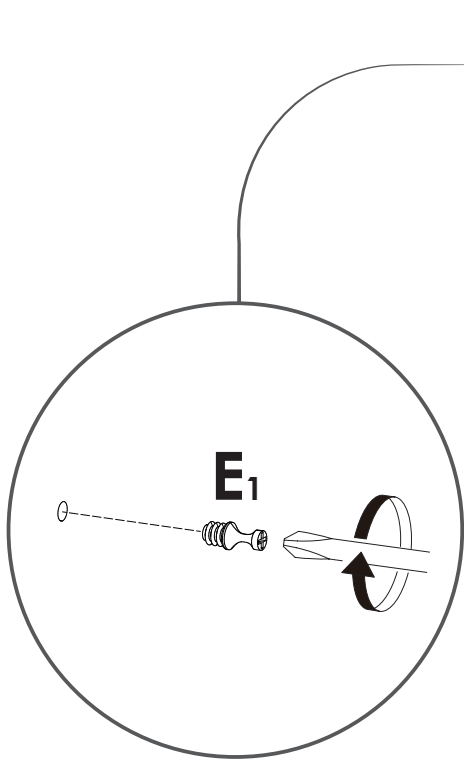


13

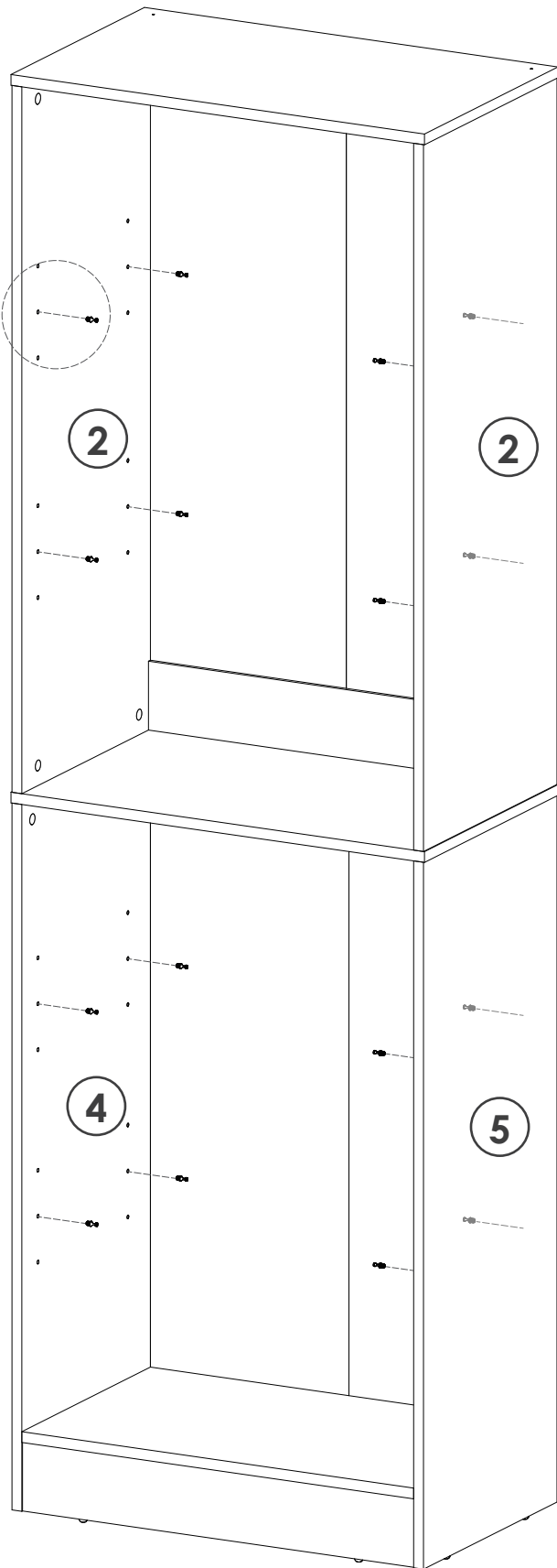


15

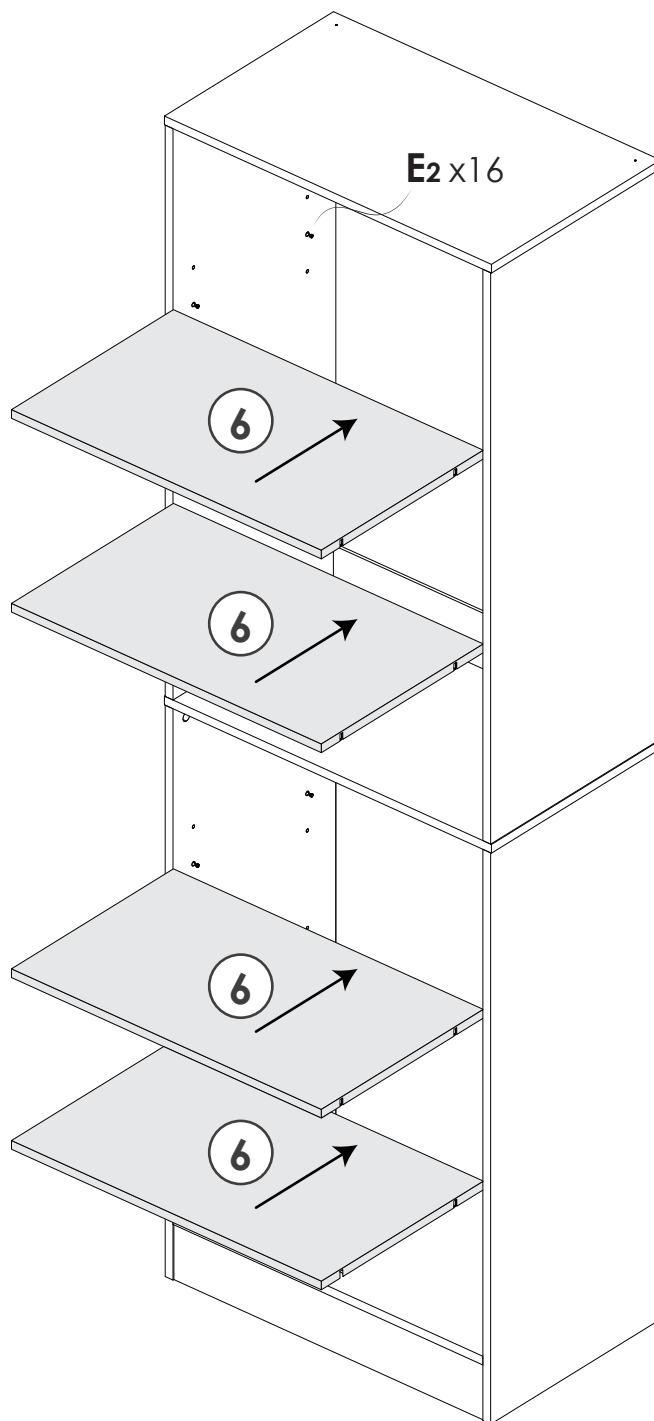
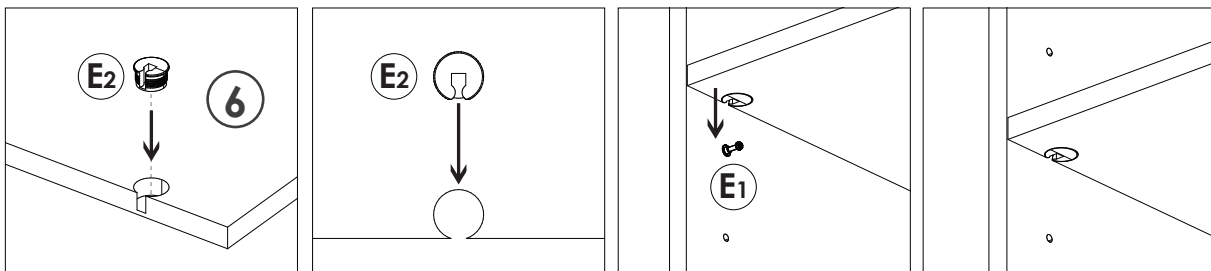
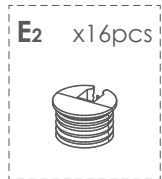
E1 x16pcs



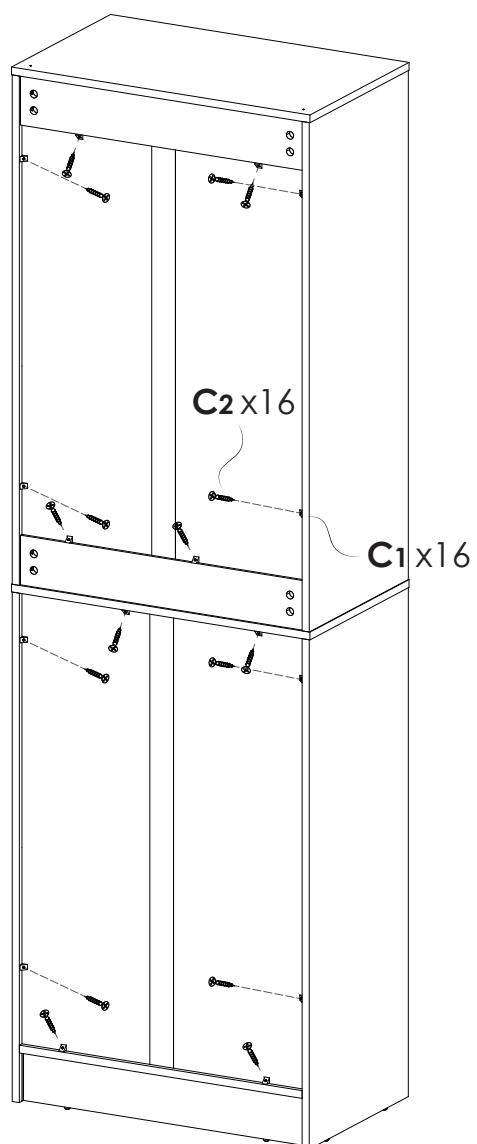
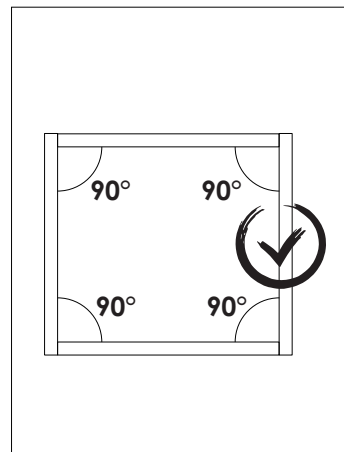
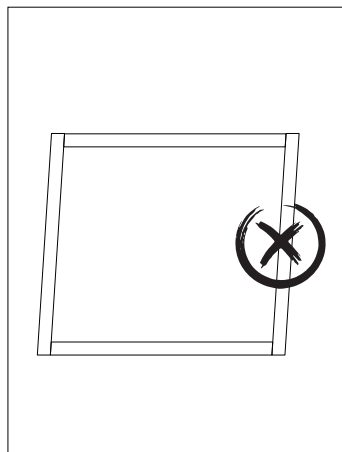
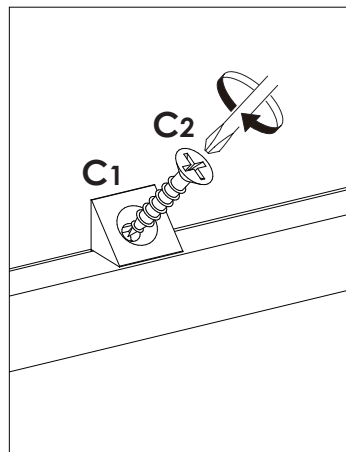
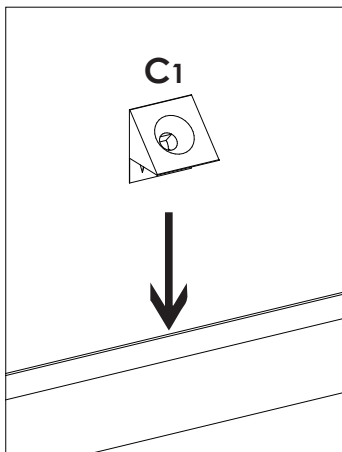
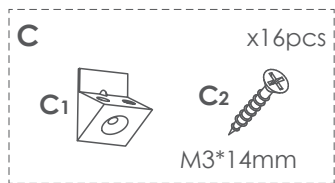
Select installation height according to specific requirements.



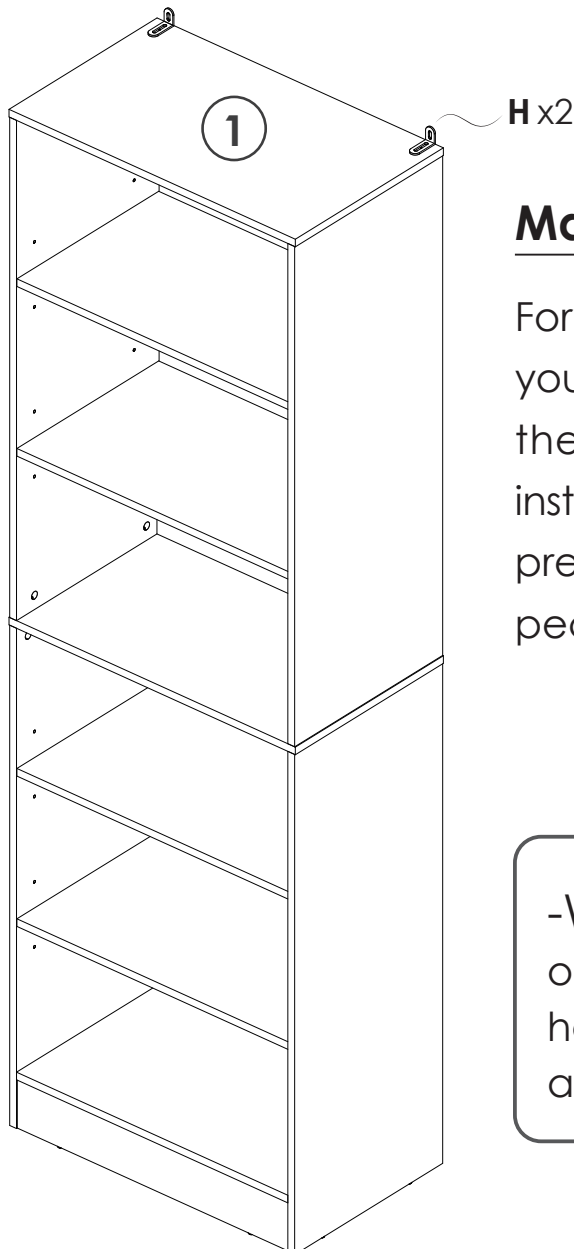
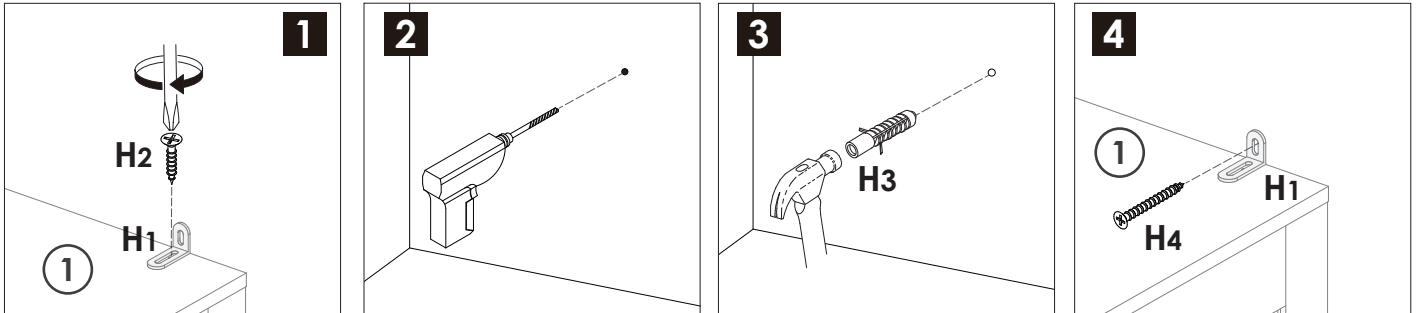
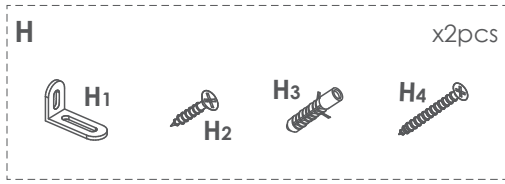
16



17



18



Mandatory!

For safety reasons, we recommend you follow these instructions to install the anti-tipping hardware, when installed properly, this hardware may prevent the unit from tipping unexpectedly.

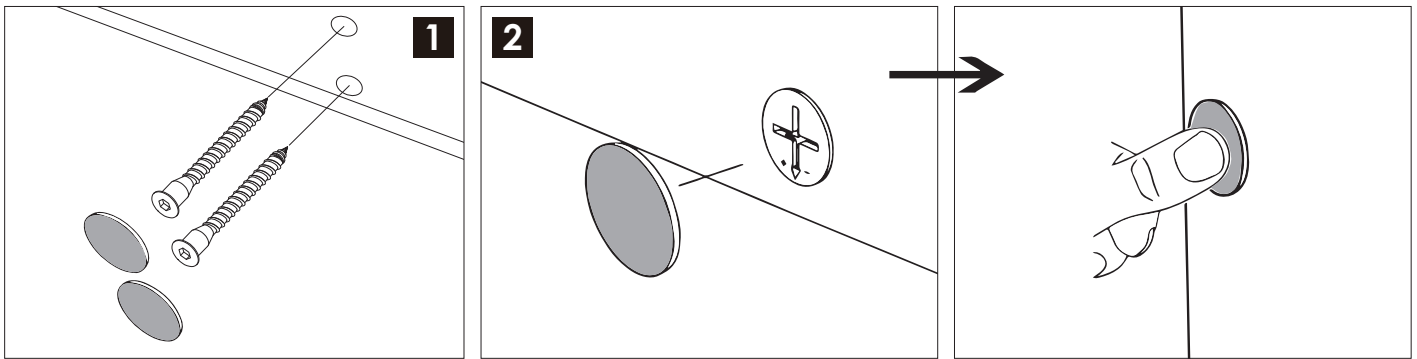
-WARNING -Serious injury can occur if furniture tips over. Place heavy items on lower shelved and as far back as possible.

19

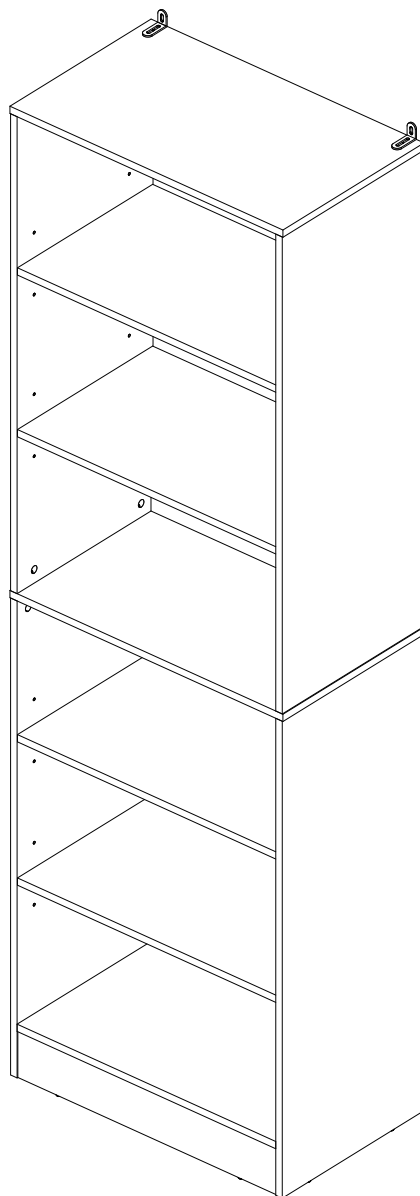
F x12pcs



21mm



Add **F** fittings to all exposed holes on the front of the product



WARRANTY

We provide an **18-month** warranty on the product starting from the date of the original purchase. If the product has any manufacturing defect, please contact us through email with details about the problem. We will send you further information about the return or exchange.