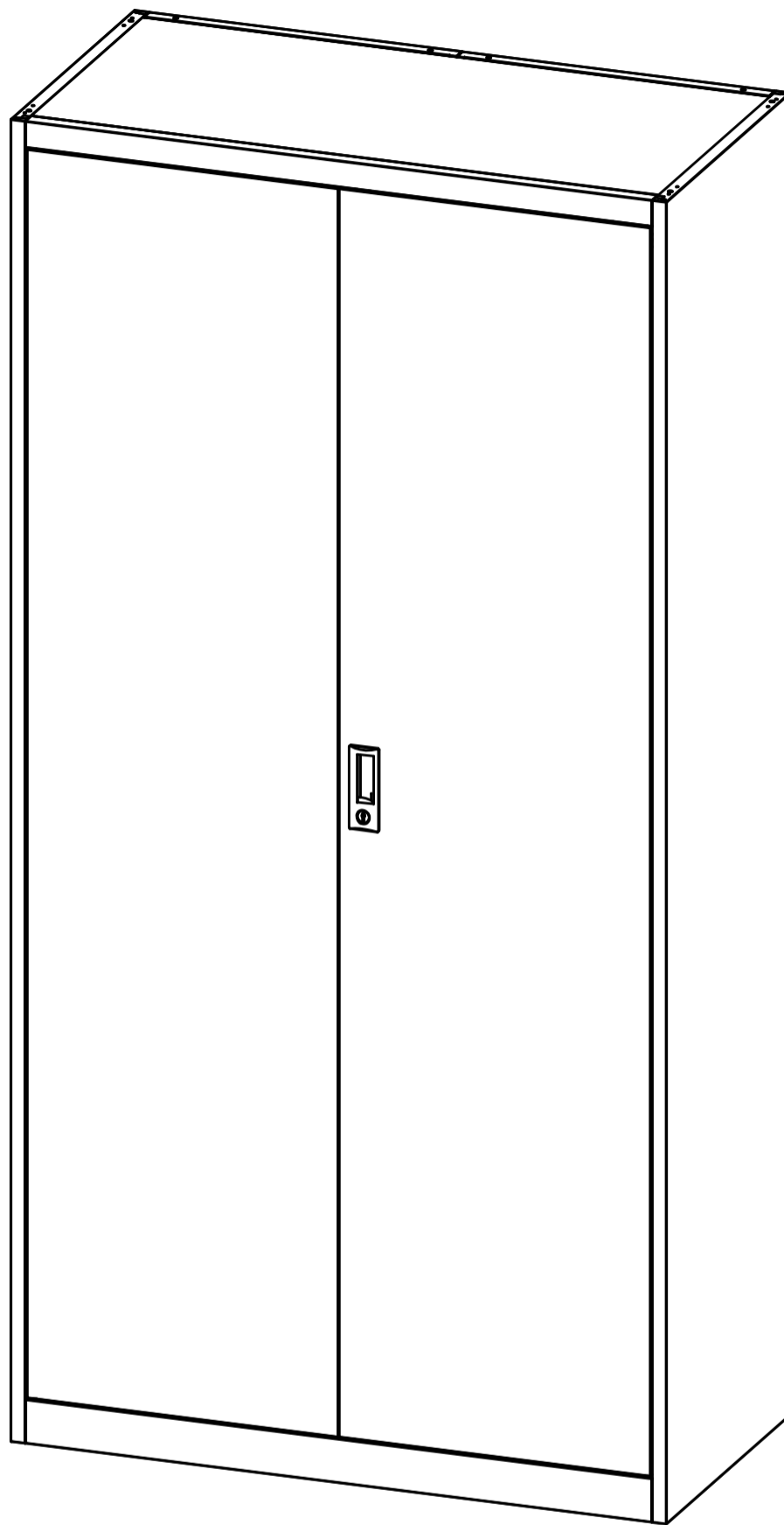
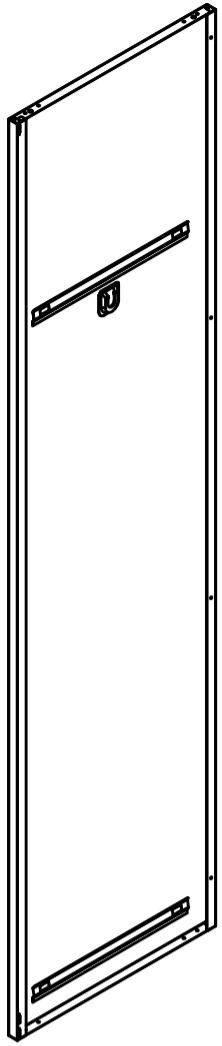


LOCKER (DZ) INSTALLATION MANUAL

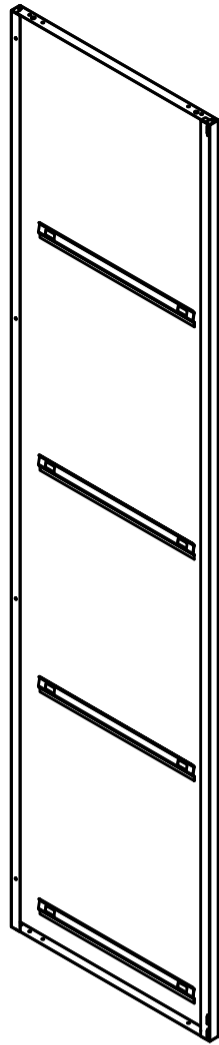


**Please scan the QR
code to check the
assemble video**

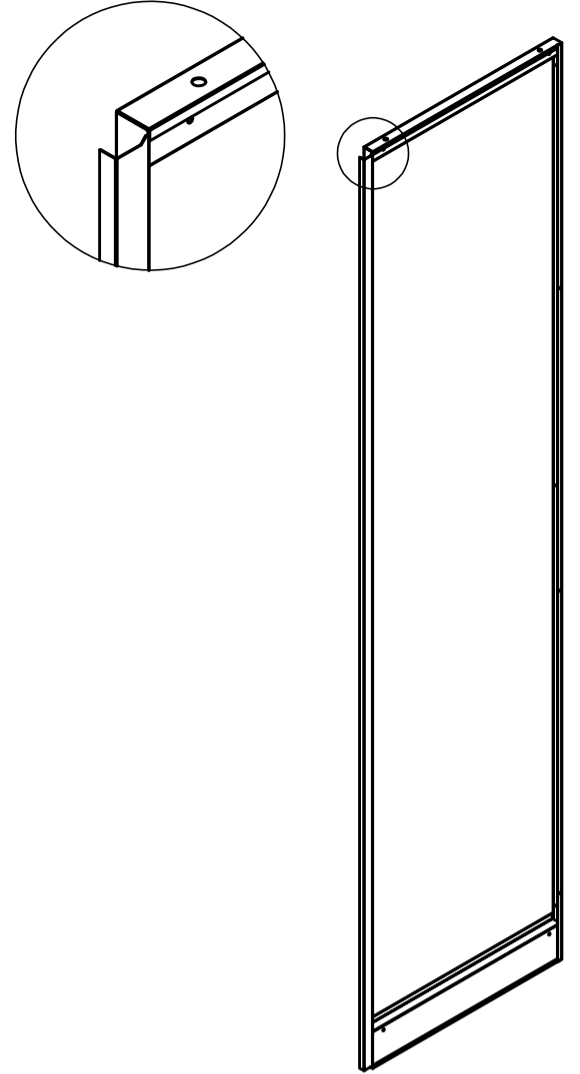
**NOTE: PLEASE FIND
AN ASSISTANT TO
HELP YOU ASSEMBLE**



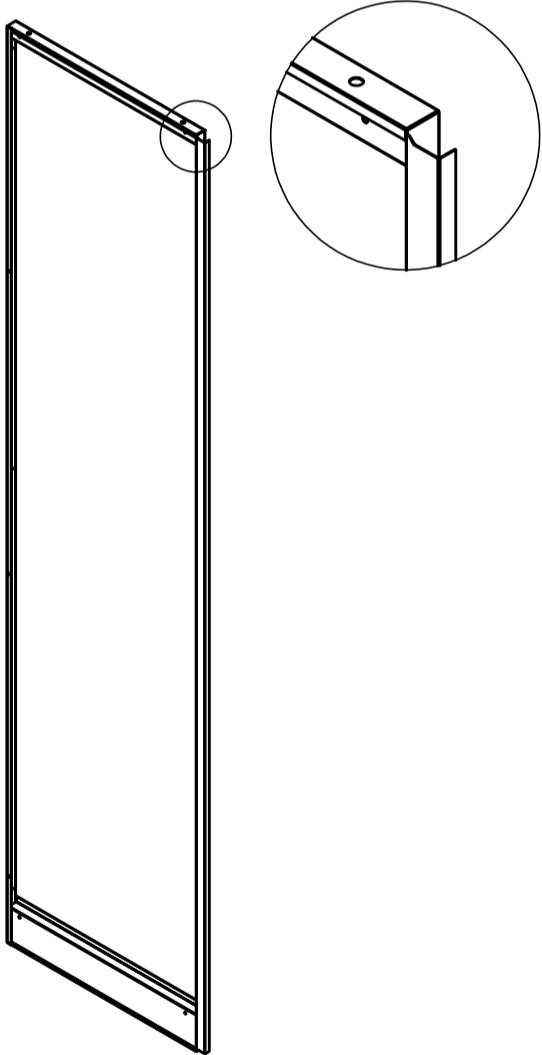
A:Left side panel



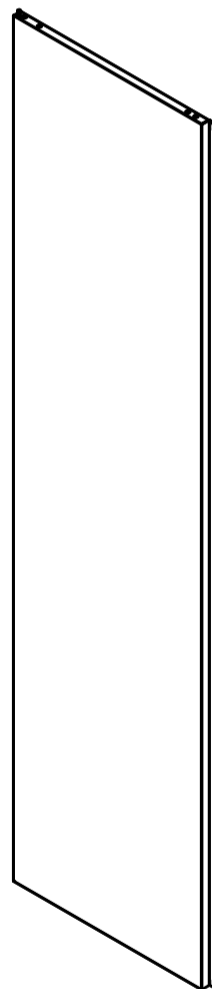
B:Right side panel



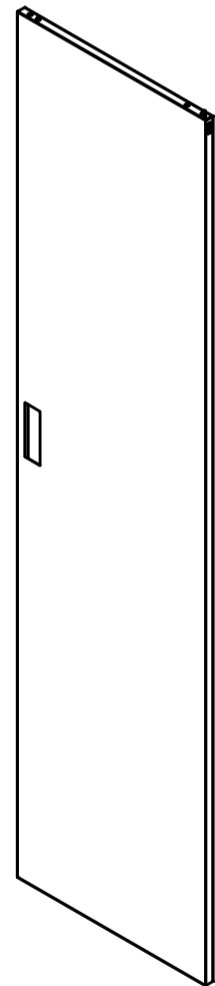
C:Left back panel



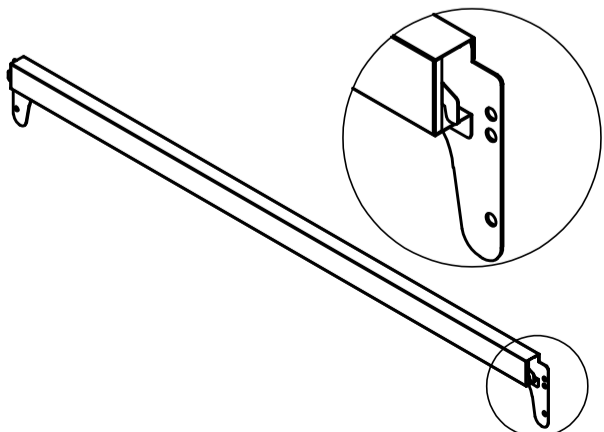
D:Right back panel



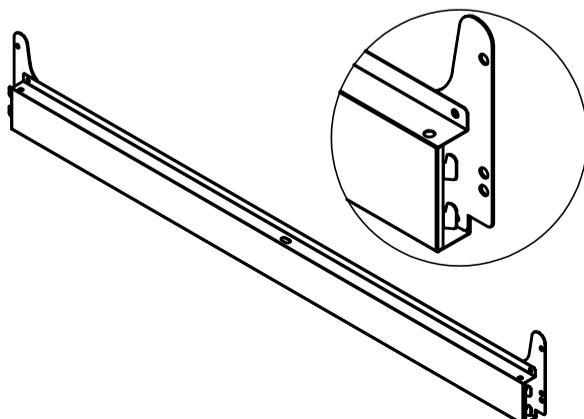
E:Left door



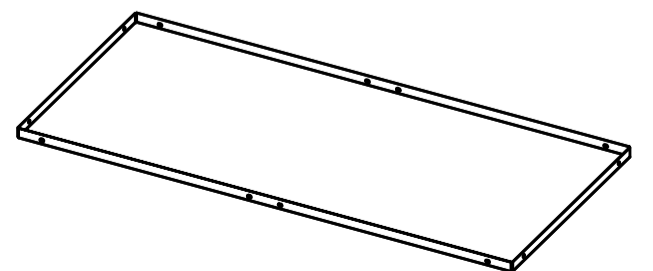
F:Right door



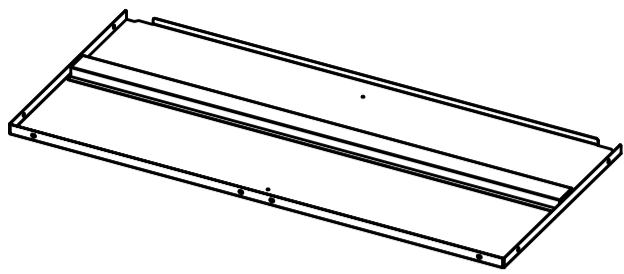
G:Upper door frame



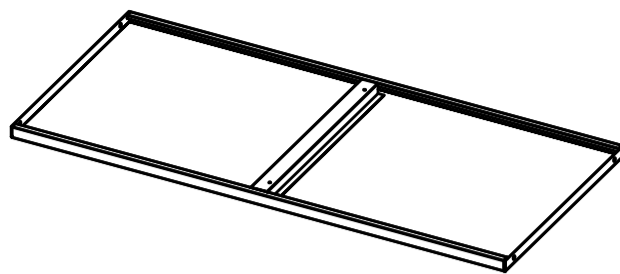
H:Bottom door frame



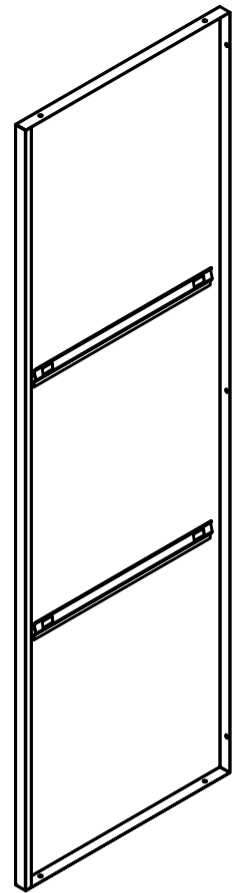
I:Top panel



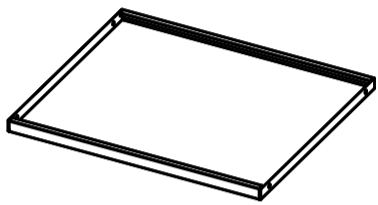
J:Bottom panel



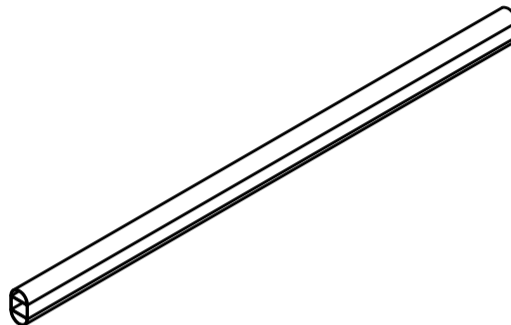
K:Upper shelf



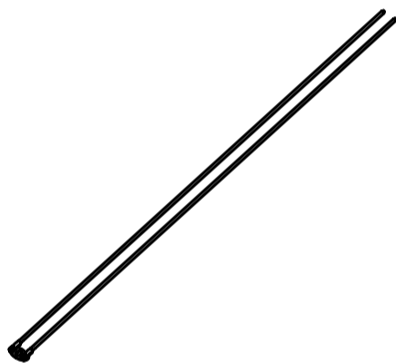
L:Middle partition



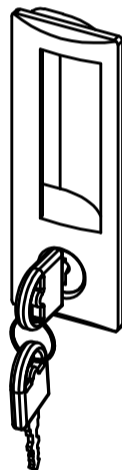
M:Shelf x2



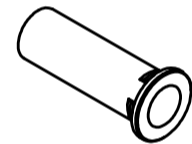
N:Clothes rail



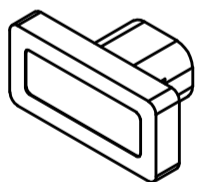
O:Locking lever



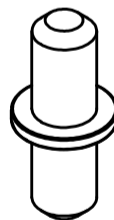
P:Locks



Q:Lock rod sleeve x2

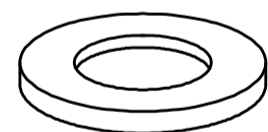


R:Magnetic x4



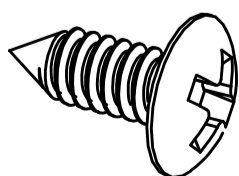
φ5

S:Door shaft x2



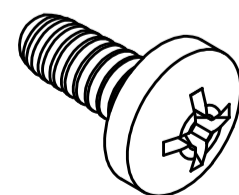
M5

T:Door shaft pad x2



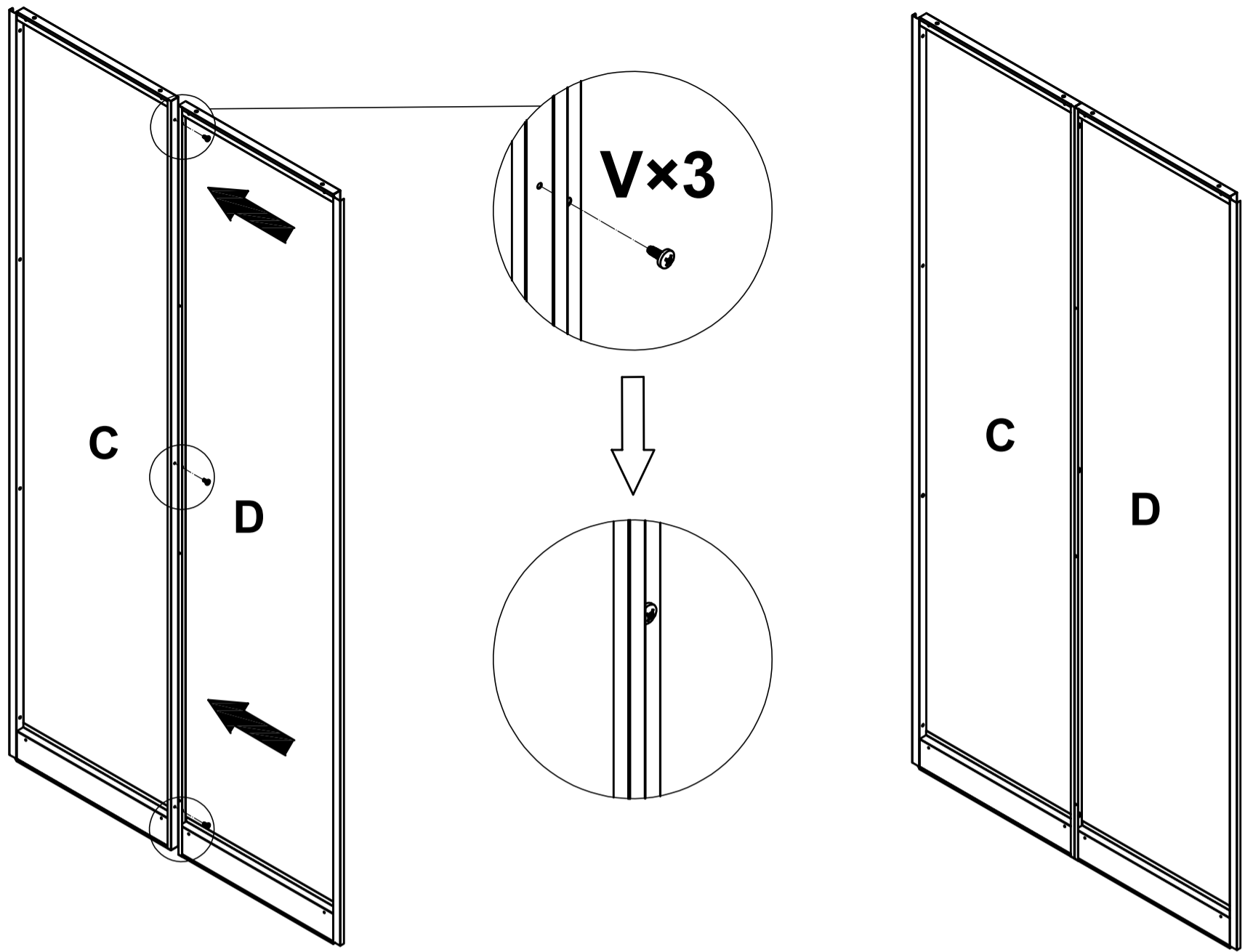
5×12

U:Self-tapping screws x35

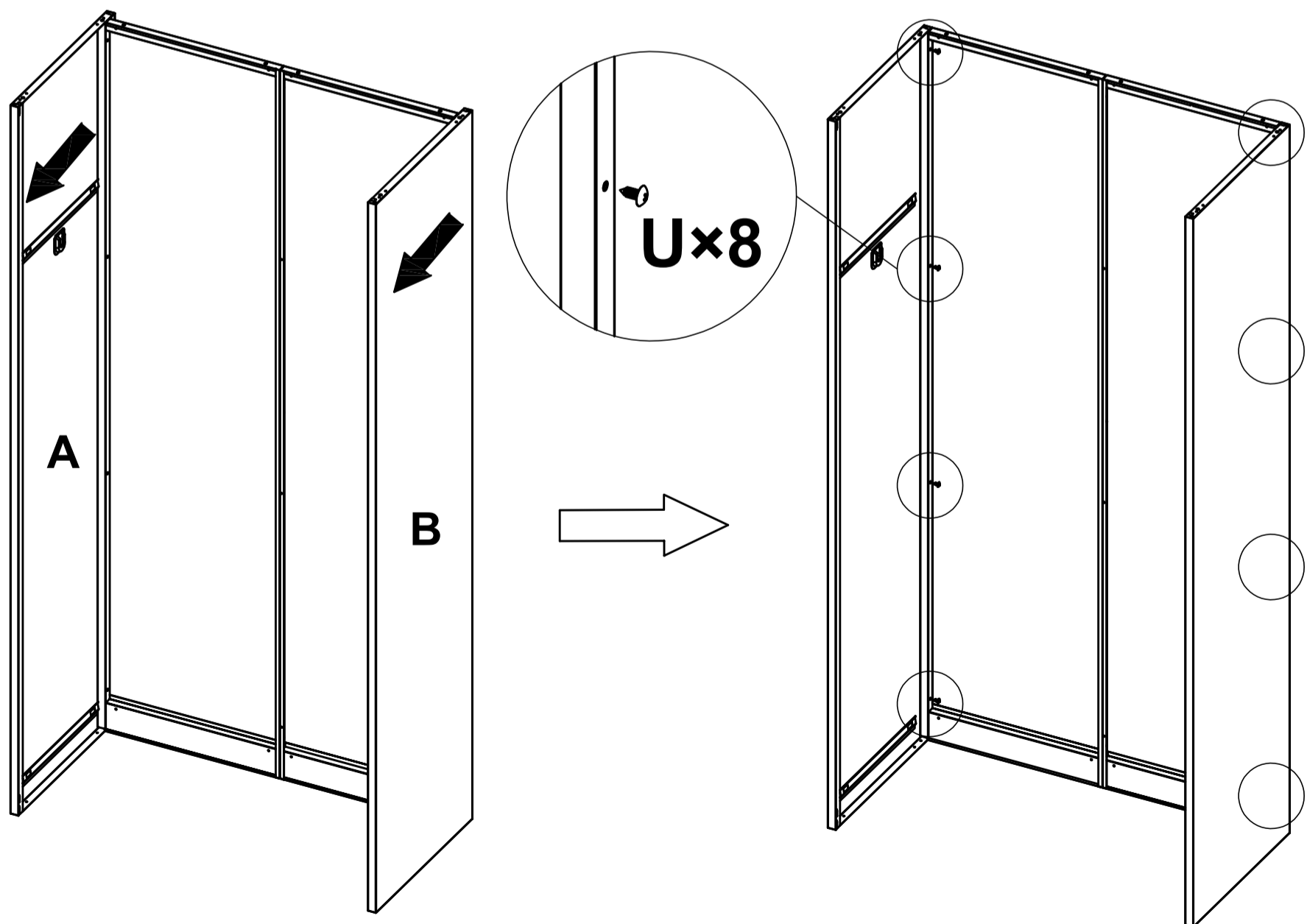


5×12

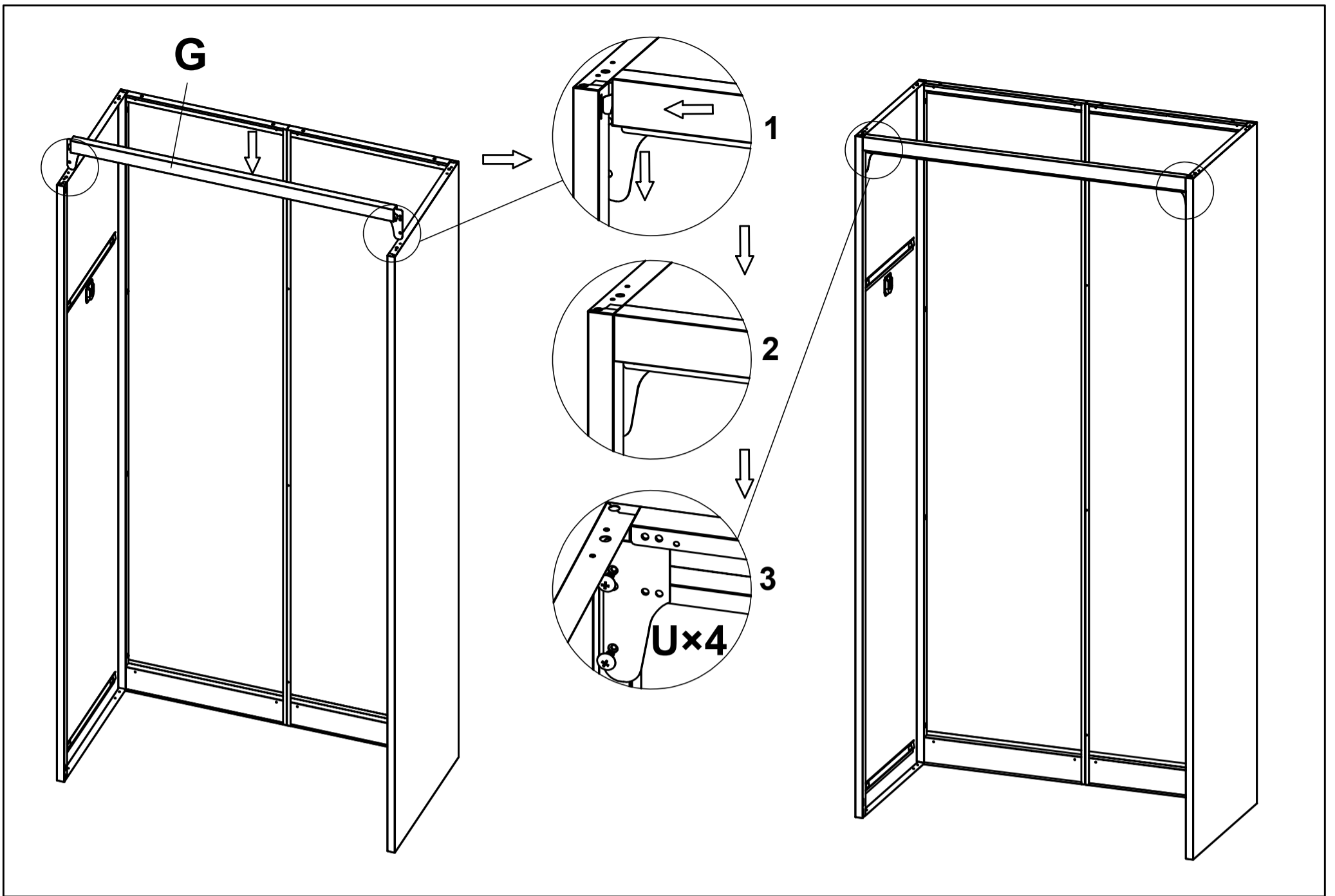
V:Self-tapping screws x3



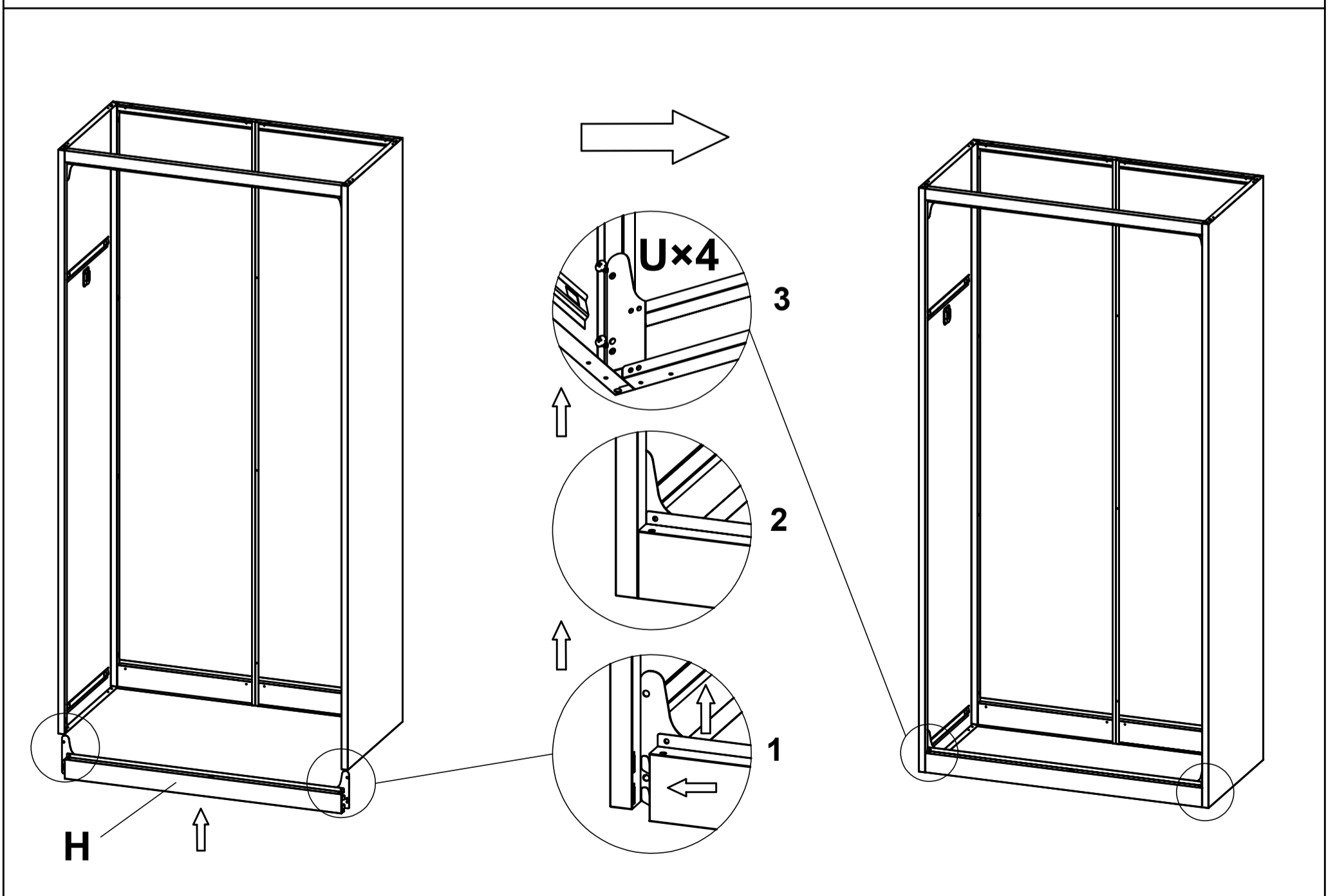
1. Install C and D, secure with screws V



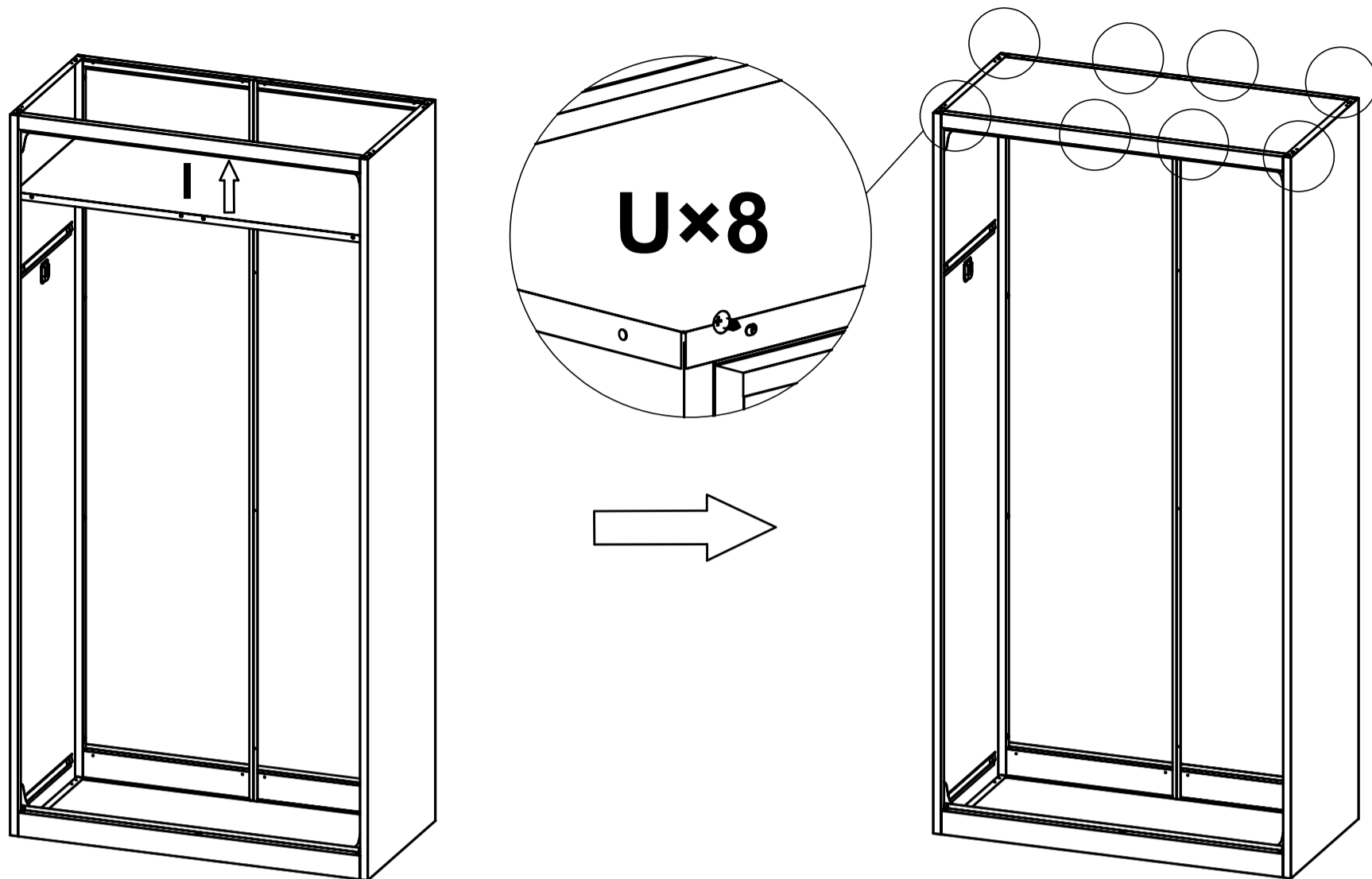
2. Install A and B, secure with screws U



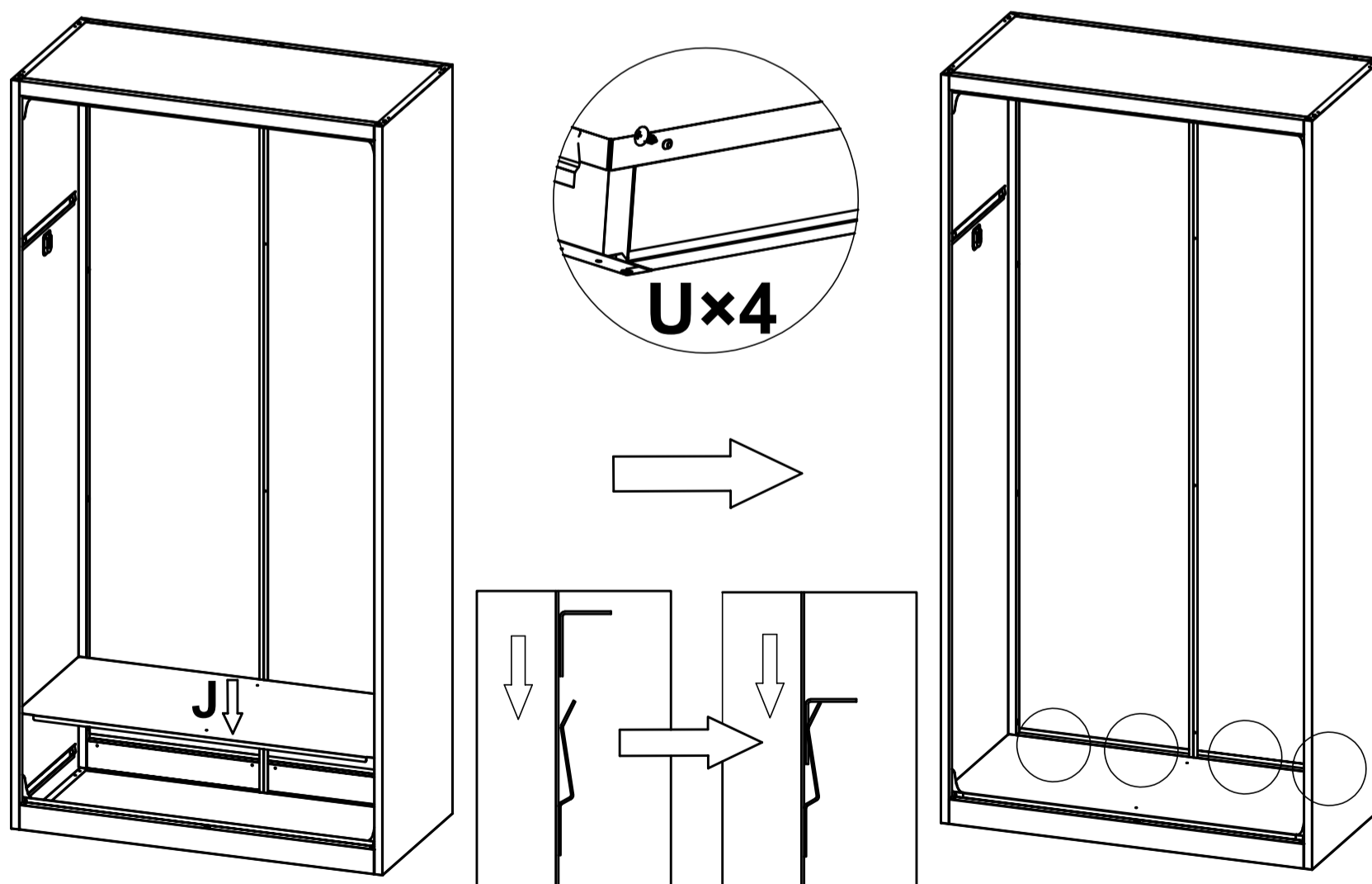
3. Install G, secure with screws U



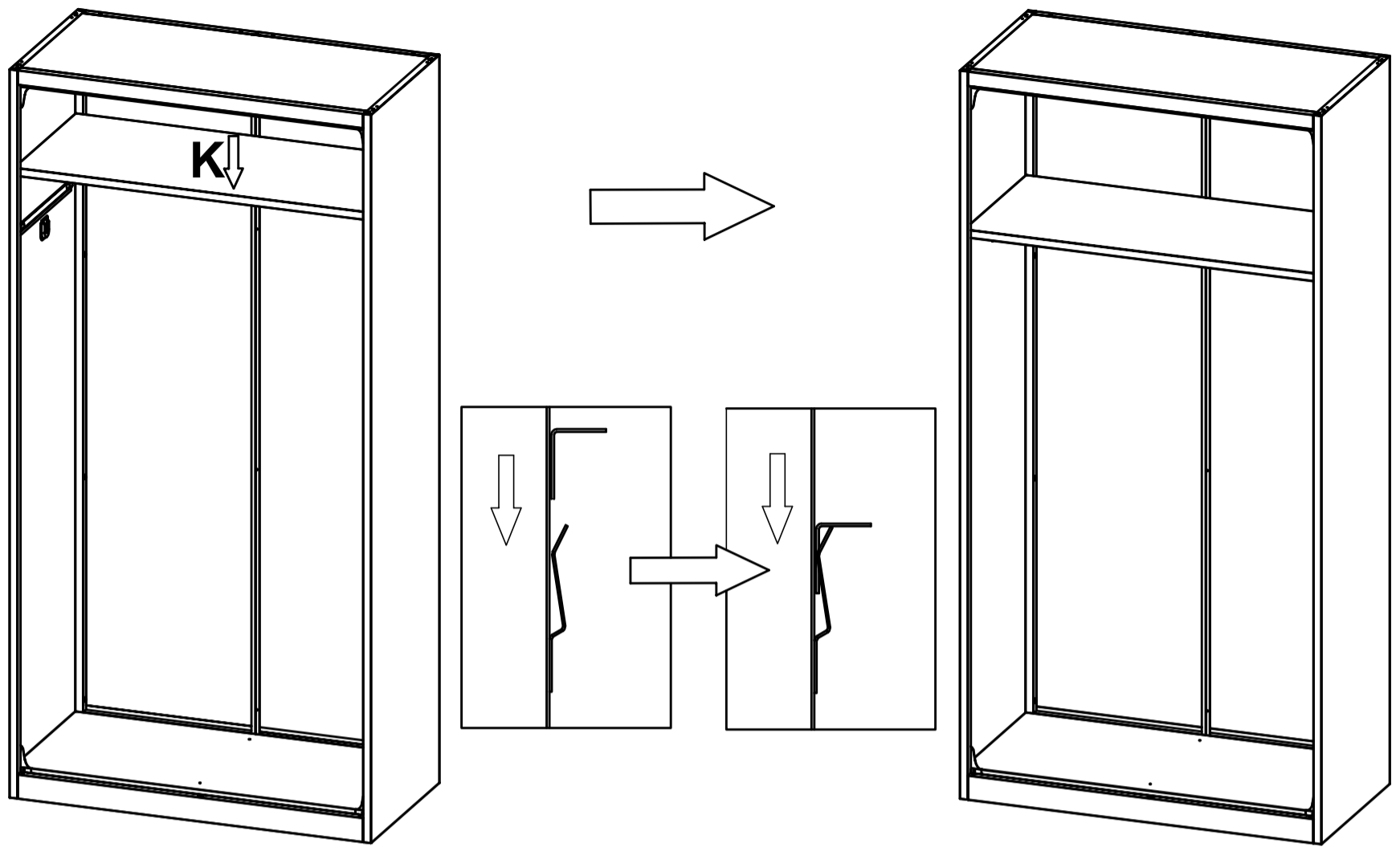
4. Install H, secure with screws U



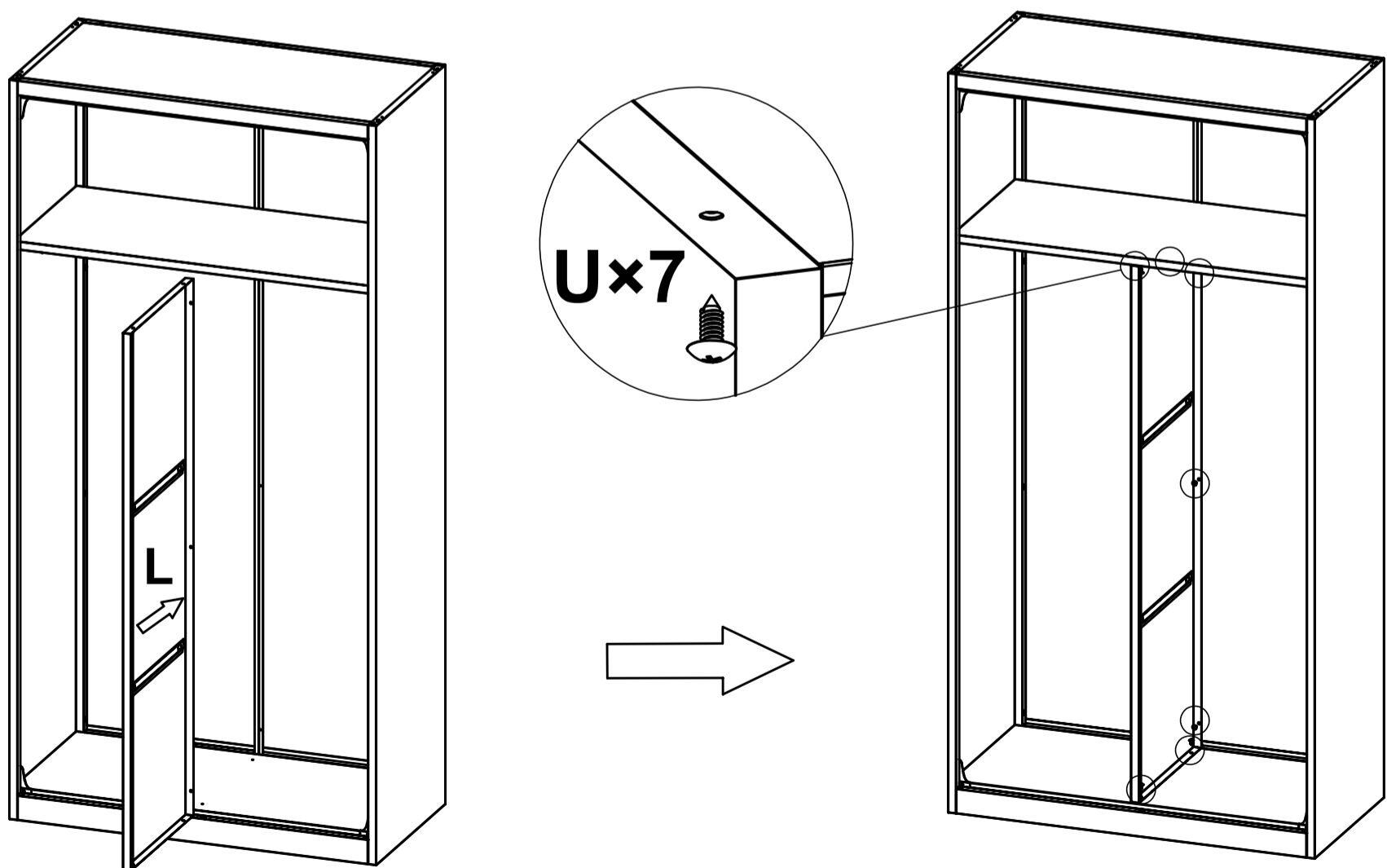
5. Install I, secure with screws U



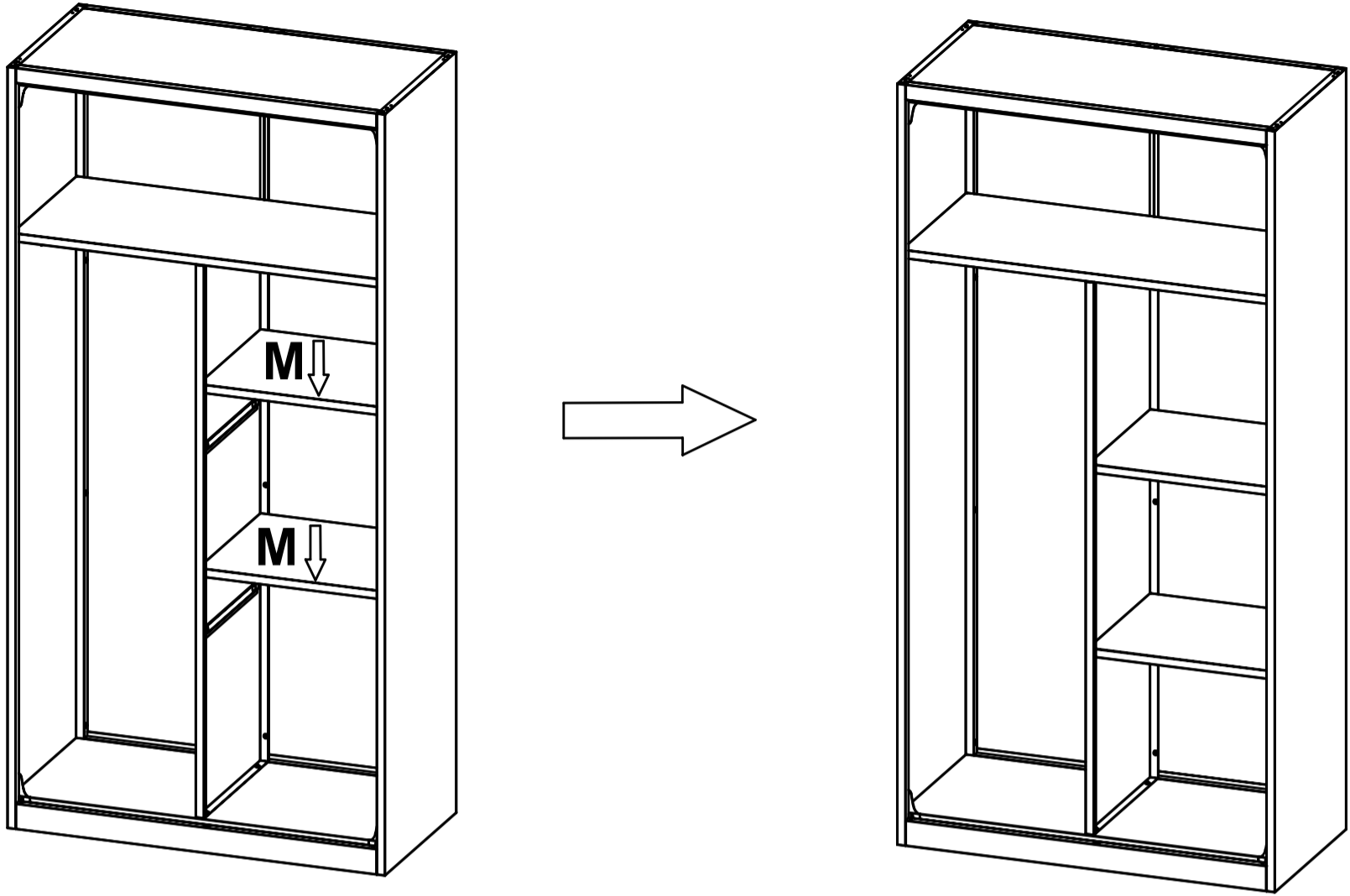
6. Install J, secure with screws U



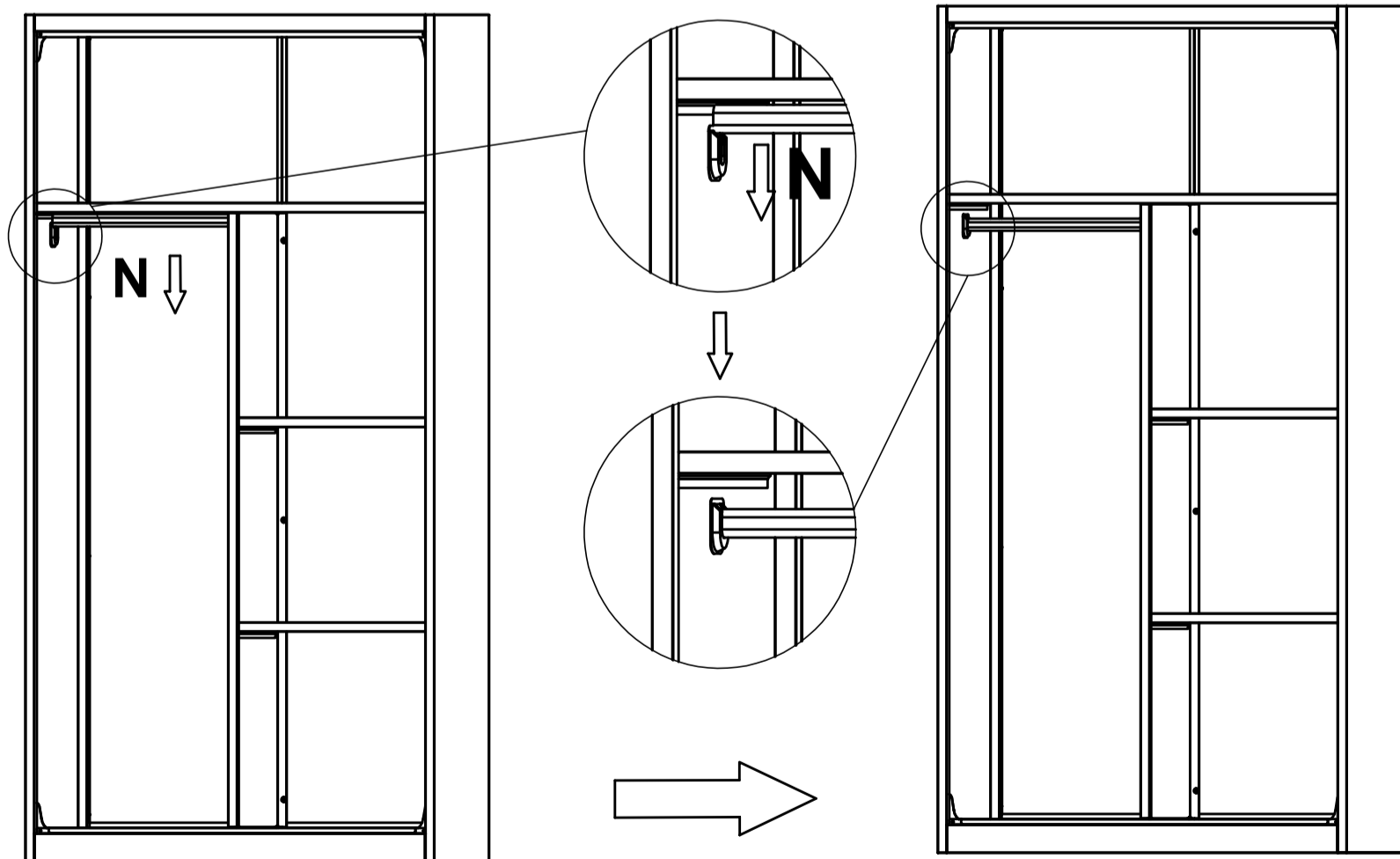
7. Install K



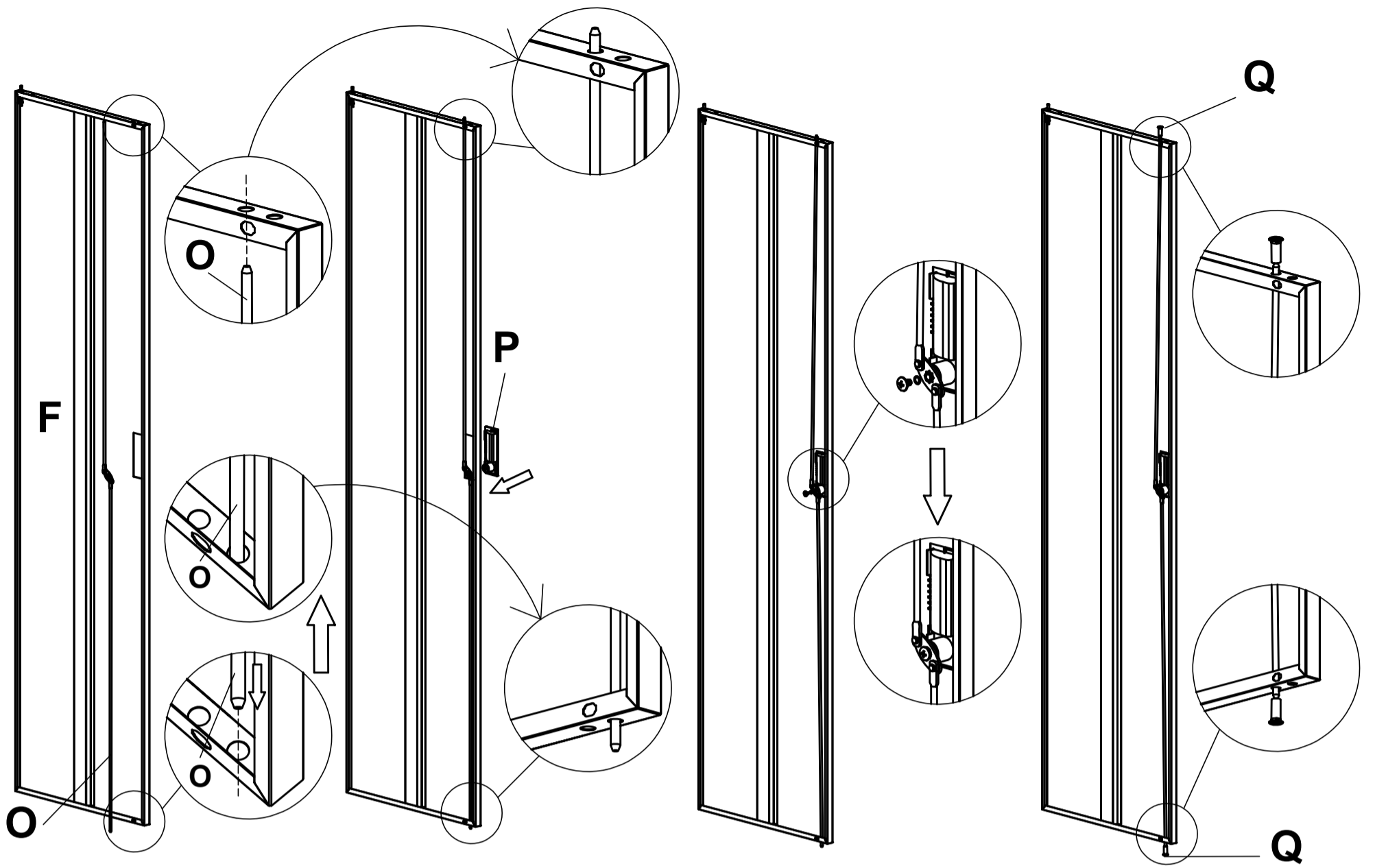
8. Install L, secure with screws U



9. Install M

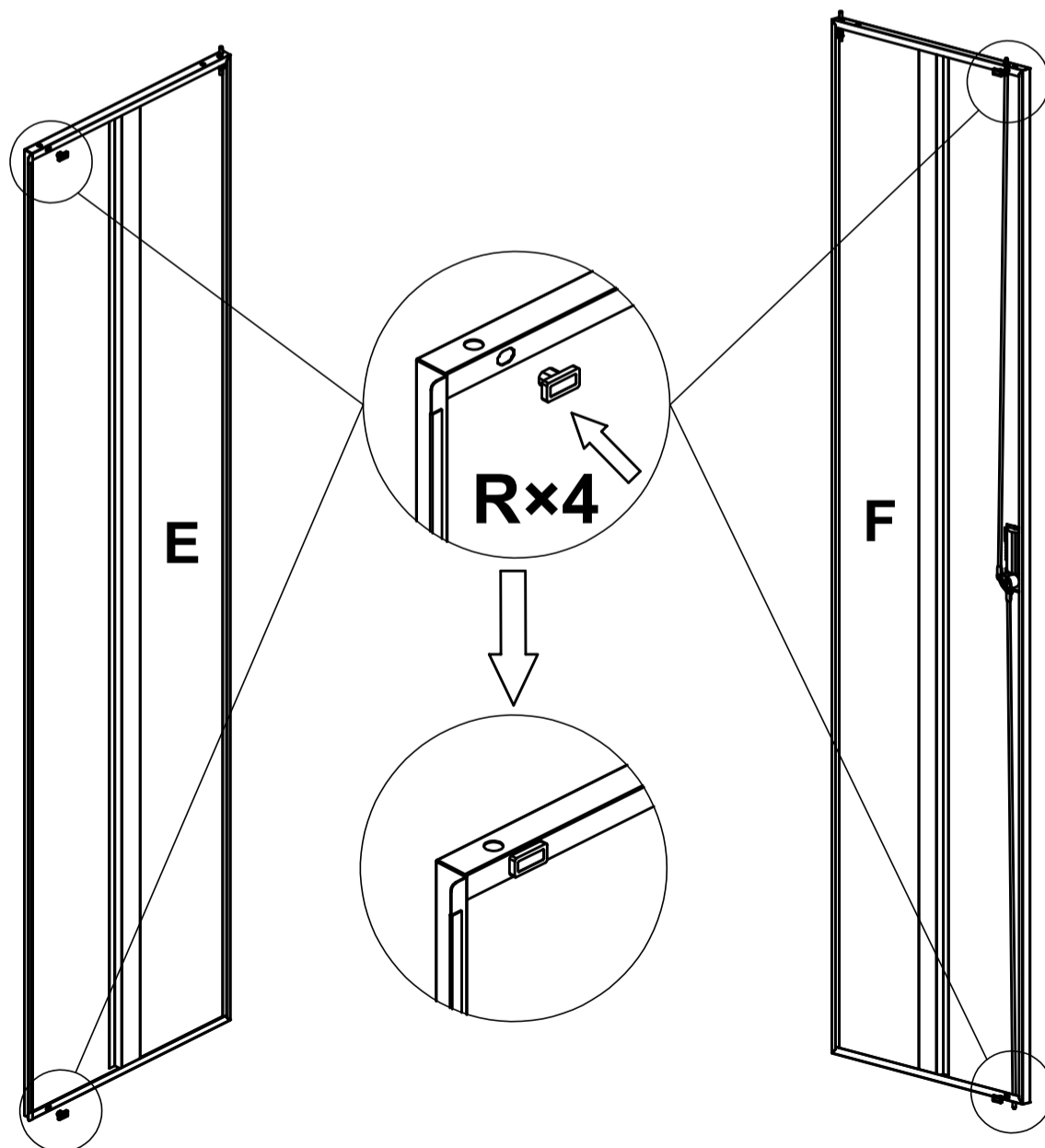


10. Install N

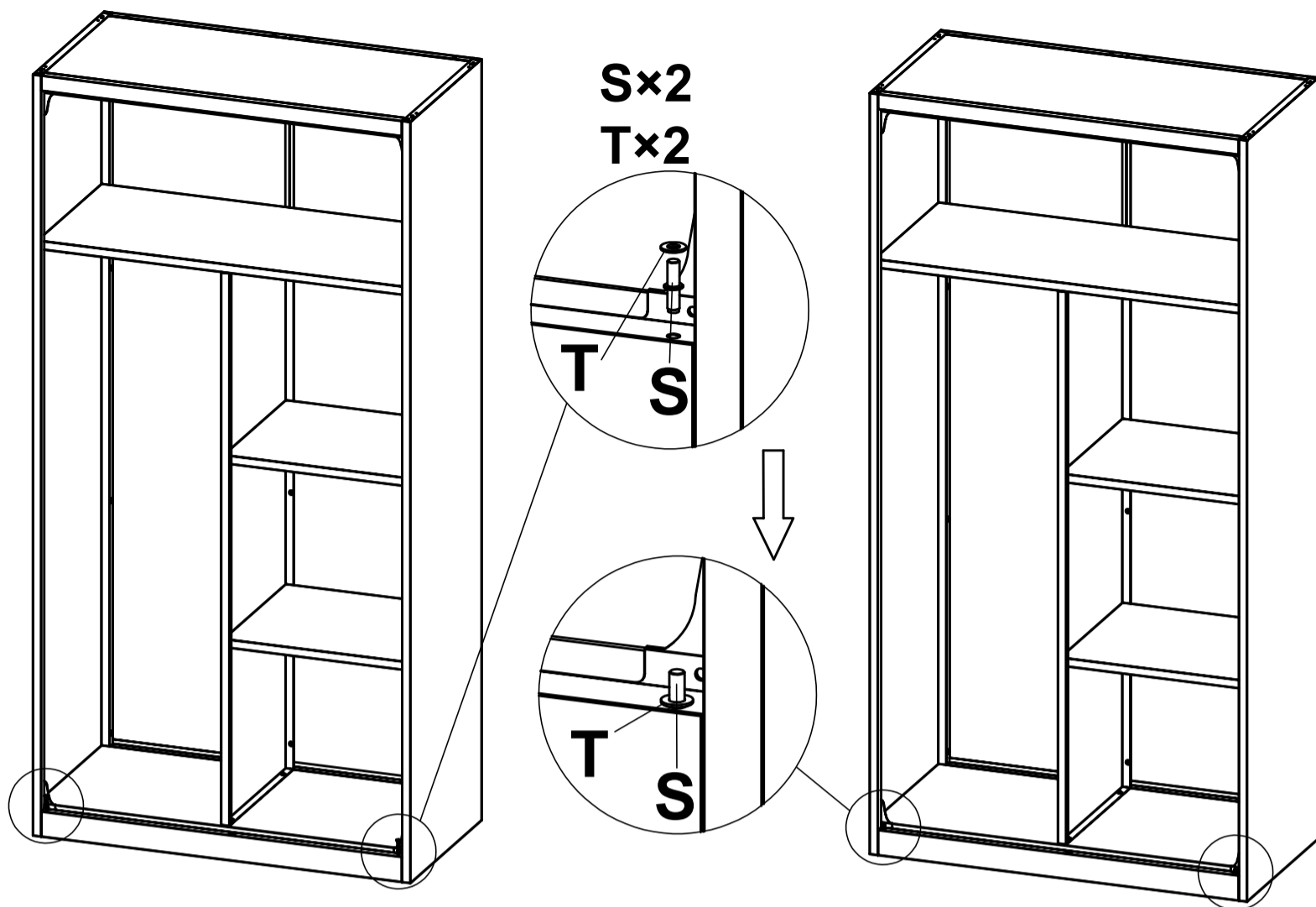


Note: The installation positions of the upper and lower Q are different.

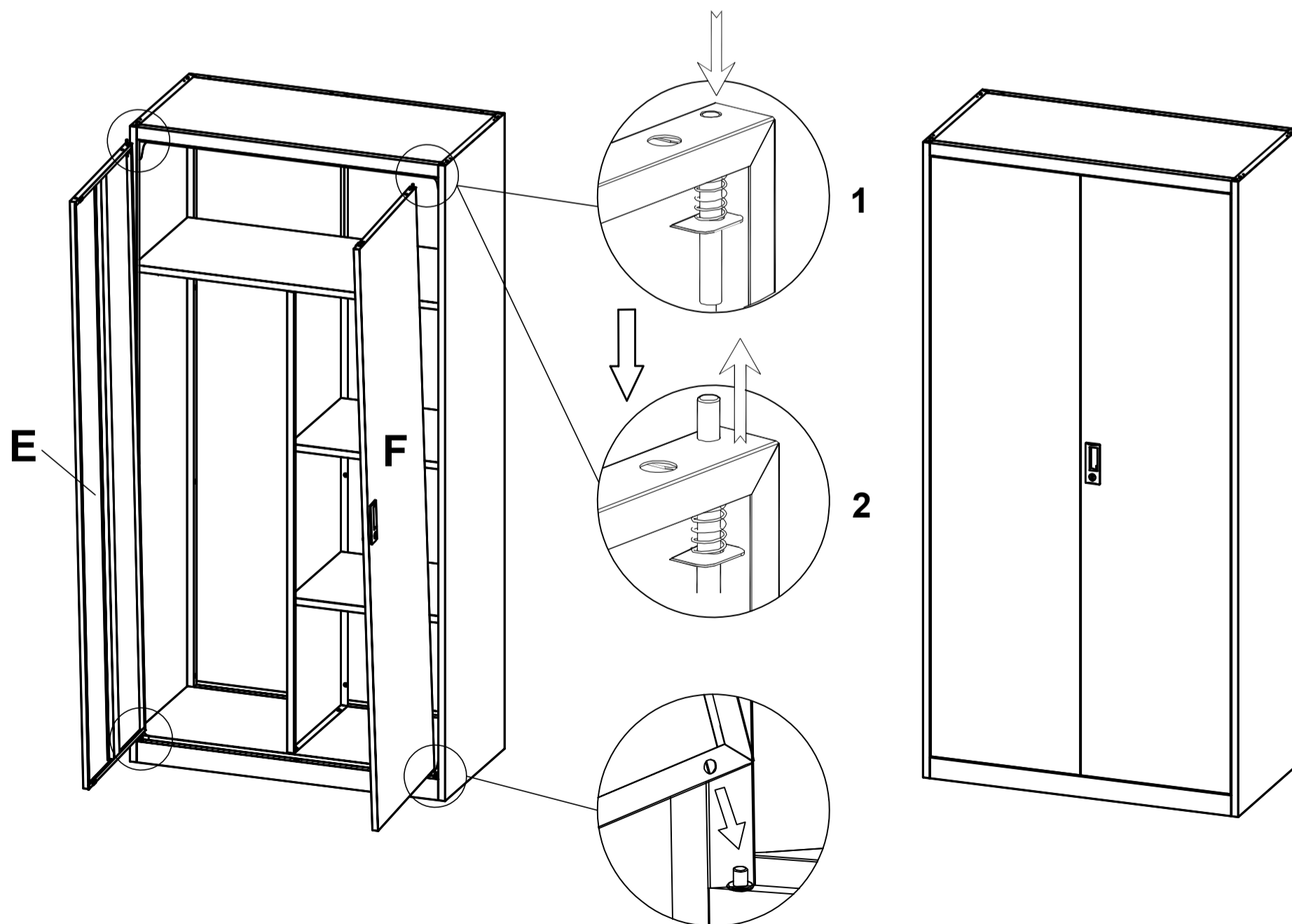
11. Install O, P and Q



12. Install R



13. Install S and T



14. Install E and F