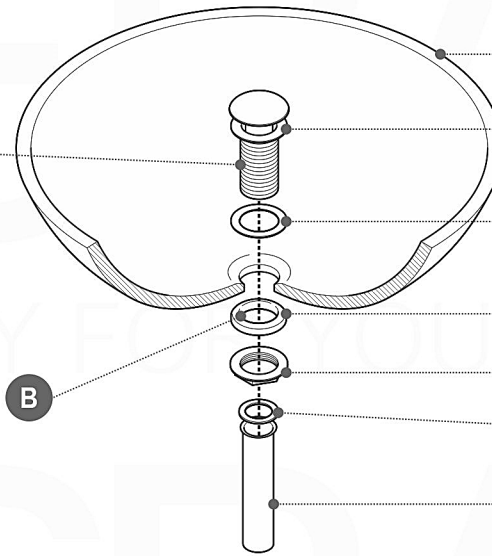


POP-UP INSTALLATION INSTRUCTIONS

Your item may appear slightly different from the illustration

Add Teflon to the Thread **A**

Add Plumbers Putty between
the Gasket and Sink **B**

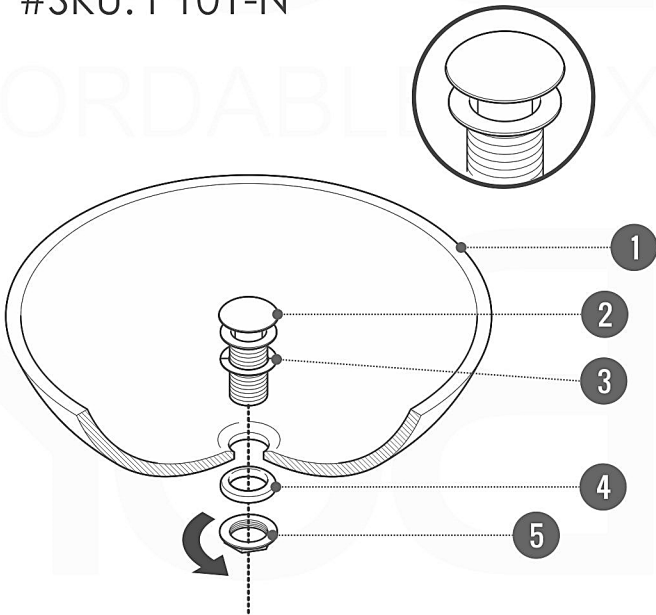


- 1 SINK
- 2 POP-UP
- 3 SILICONE WASHER
- 4 SILICONE WASHER 2
- 5 BRASS NUT
- 5 RUBBER WASHER
- 5 TAIL PIPE

POP-UP INSTALLATION

FOR SINKS WITHOUT OVERFLOW
#SKU: P101-N

FOR SINKS WITHOUT OVERFLOW
#SKU: P101



OR

