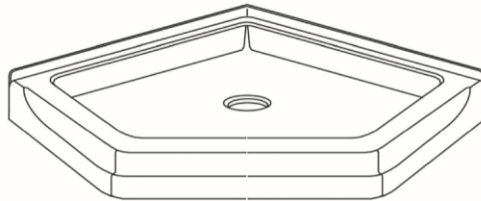
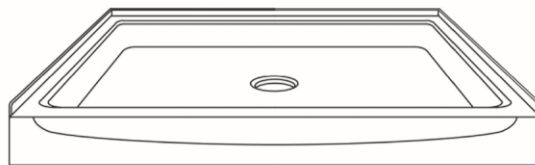


# Shower Pan Installation Instructions

- Screws
  - Flat head wood screws for wood studs
  - Self-tapping sheet metal screws for metal studs
- 2 large soft cloths
- 3 gallons of water (for testing slope to the drain)
- Brass compression shower drain (provided by others)
- Hammer
- Drill
- 1/8 in. Drill bit
- Screwdriver
- 4 ft. level
- 2 ft. level
- Torpedo level
- Black Marker (to mark the threshold)



**NEO CORNER SHOWER PAN**



**SQUARE OR RECTANGULAR SHOWER PAN**

---

## Materials and tools you may need for proper installation:

### Materials:

### Tools:

---

**NOTICE:** Please inspect the unit thoroughly before installation to make sure it has not been damaged during transportation. Under no circumstances should a damaged unit be installed. Neither the manufacturer nor the distributor will be responsible for the removal or reinstallation costs should a replacement be necessary due to installation of a damaged unit

## STORAGE AND HANDLING

- Do not store unit(s) outdoors. Keep out of sunlight and exposure to weather.
- Most handling damage is the result of impact blows to the back side of the shower unit.
- Stress cracks can develop when shipping boards are removed before the unit is positioned for final installation in bathroom.
- Placing objects inside the tub or shower may cause scratches, abrasions, or nicks to the finished surface.
- Storing units outside right-side up may cause sunlight to discolor the AcrylX finish. The unit may become unstable and is easily knocked over by wind or by being bumped.
- The underside of the shower unit is not waterproof. Unit must be stored so that water will drain off of the unit and not accumulate in any one spot. Water can permeate the back laminates and soak the glass enclosed wood supports causing bulges in the finished surface.
- Never drag these units on any surface. Always transport the unit by hand using two people or a two-wheel dolly.
- Do not clean the shower finished surface with metal tools of any kind, including razors
- Wall board with water resistant finished material must be installed to complete the shower enclosure.
- Do not remove the medallion identification number. Doing so may affect the warranty. This number may be found above the drain, or on the left or right hand corner of the unit.

# Shower Pan Installation Instructions

---

## Pre-Installation Planning

1. Make sure the alcove is of proper size. Framing alcove must reflect dimensions on the technical data sheet. Note the required opening in the floor to provide clearance for the drain trap and fitting connection. Finish the rough plumbing, but do not attach the unit to the studs at this stage.
2. Review the job print and the manufacturer's rough-in dimensions; verify all key dimensions against the actual job conditions. Make sure the framed in alcove is of proper size, square, and plumb. Check the floor for levelness.
3. If a fire-rated alcove is required, approved finish material must be in place prior to the unit's installation in order to meet fire safety requirements of the local building code and/or FHA/HUD Minimum Property Standards. NOTE: Finished alcove must still have interior dimensions shown on technical data sheet to permit installation of unit.
4. To avoid obstruction, make sure that all supply lines and valve plumbing are not strapped to the studs and do not project into the alcove.
5. To prevent scuffing while installing the unit, cover the entire bottom of the unit with a piece of cardboard or other protective material.
6. Fasten drain fitting to unit before install. [See manufacturer's instructions]

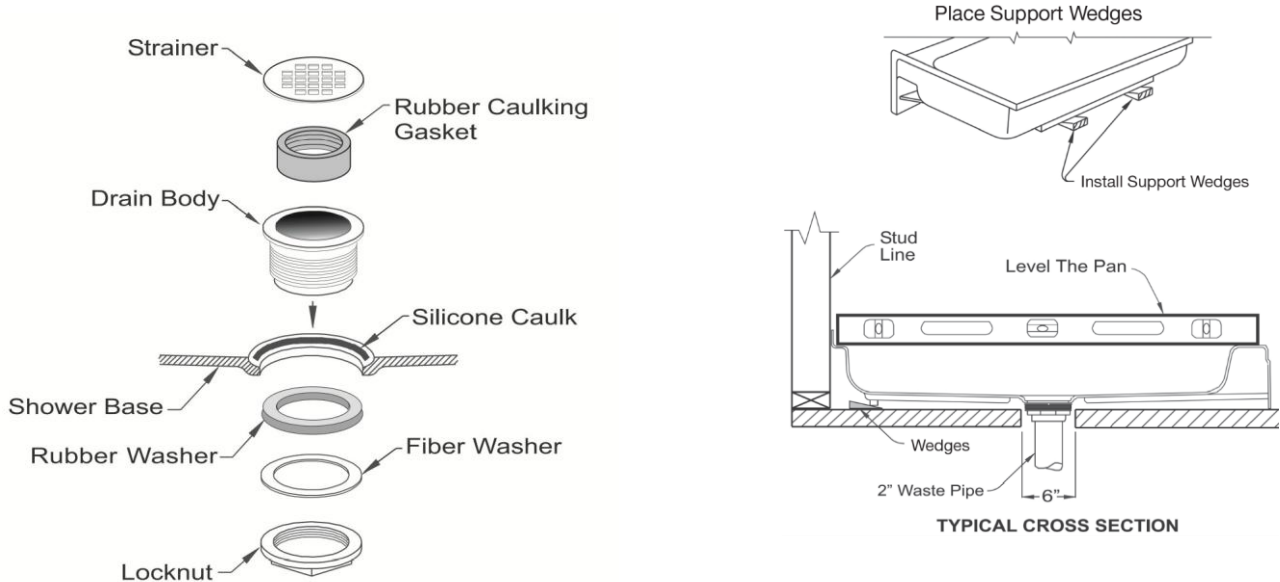
**NOTE: For installation on gypsum concrete refer to gypsum concrete manufacturer for information about adhesion.**

---

## Standard Installation Instructions (for a foundation material bed install see page 4)

1. Ensure that the alcove is clean before continuing. Clear the area of dirt, trash, oil, grease, water, and other contaminants that may affect adhesion.
2. Place the shower pan into the intended alcove to confirm proper placement of the drainpipe and sizing of the alcove.
3. To keep the unit clean, place cardboard or other protective material on the shower floor.
4. Place the unit directly into the alcove with drain fitting over and onto the waste pipe with the threshold firmly on the floor. Assure the waste pipe protrudes well into the drain fitting. Maintain the proper floor slope towards the drain.
5. Mark the front edge of the threshold for future reference, and remove the unit from the alcove.
6. Install drain fitting on shower pan. Follow manufacturer installation instructions for the drain. Temporarily remove the internal gasket.
7. Wedges are recommended for leveling the base. Once the framing pocket is complete, and the drain fitting is installed, determine the location for the wedges that will be placed under the back of the shower pan.

# Shower Pan Installation Instructions



8. Trial level the pan outside of the framing pocket to determine the location of the wedges. On a flat surface, level the shower pan across the finished flat sides of the pan, and across the back edge of the pan. Slide the wedges under the back of the unit until the shower pan sits solid, plumb, and level in both directions. Draw a line along the front edge of the threshold. Then, mark the location of the wedges. Move the pan aside, and using your markings as reference, transfer the wedges to their location within the alcove.
9. Secure the wedges to the sub floor with fasteners or panel adhesive so they will not shift during installation of the unit.
10. Move the shower pan into place. Position the unit at the open end of the framed pocket. Align the lower edge of the apron with the mark made in Step 5, and tilt the unit back into place. Carefully guide the drain pipe through the shower drain assembly. Lower the shower pan until it contacts the wedges already secured to the sub floor.
11. Repeat the leveling process from Step 8. If adjustments are necessary, remove the pan from the alcove and adjust the wedges.

### Helpful Tip:

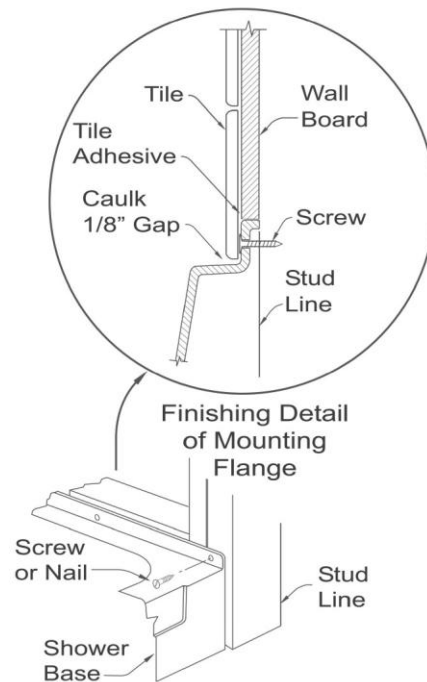
Temporarily remove the internal gasket. Set the unit into place and guide the drainpipe through the drain fitting using a hammer handle or similar object.

12. When satisfied with the fit, pre-drill a 1/8" hole through the mounting flanges into each framing stud.
13. Mount the shower pan to the studs using appropriate screws.
14. Finish installation of the drain pipe into the shower drain assembly. If necessary, trim the the pipe length. Insert gasket around the drainpipe in the drain fitting and make final connections.

### NOTE: Manufacturer is not responsible for leaking drain connections.

15. Test unit for proper drainage by pouring 3-5 gallons of water into the shower base and monitoring. If the unit does not drain properly, the unit must be pulled back up to determine where the problem lies. Walls should be installed once the pan has been properly installed.
16. Finish wall materials above the shower pan is per the owners or installers preference. Leave a 1/8" gap between the bottom edge of the wall board and the finished surface of the shower pan. Caulk this gap.

# Shower Pan Installation Instructions



## Installation Instructions for Gypsum Concrete or Other Foundation Material

1. Ensure that the alcove is clean before continuing. Clear the area of dirt, trash, oil, grease, water, and other contaminants that may affect adhesion.
2. Place the unit into the intended alcove to confirm proper placement of the drainpipe and sizing of the alcove.
3. To keep the unit clean, place cardboard or other protective material on the shower floor.
4. Place the unit directly into the alcove with drain fitting over and onto the waste pipe with the threshold firmly on the floor. Assure the waste pipe protrudes well into the drain fitting. Maintain the proper floor slope towards the drain.
5. Mark the front edge of the threshold for future reference, and remove the unit from the alcove.
6. Install drain fitting on unit. Follow manufacturer installation instructions for the drain. Temporarily remove the internal gasket.
7. Refer to architectural drawings for the height of gypcrete or foundation material to be added after unit has been installed. Use this height to determine the installation height of the unit. Mark this height on the studs with a marker.

**NOTE: The bottom edge of the front apron (threshold) and any feet or supports on the bottom of the unit must contact the foundation material when it has fully cured.**

8. Move the unit into place. Position the unit at the open end of the framed pocket. Align the lower edge of the apron with the mark made in Step 5, and tilt the unit back into place. Carefully guide the drain pipe through the shower drain assembly. Lower the unit until it aligns with the marks made in step 7.
9. Level the unit across the finished flat sides of the pan and across the back edge of the pan. Ensure that the unit is solid, plumb, and level in both directions.

### Helpful Tip:

Temporarily remove the internal gasket. Set the unit into place and guide the drainpipe through the drain fitting using a hammer handle or similar object.

10. When satisfied with the fit, pre-drill a 1/8" hole through the mounting flanges into each framing stud.
11. Mount the unit to the studs using appropriate screws.
12. Finish installation of the drain pipe into the shower drain assembly. If necessary, trim the the pipe length.

# Shower Pan Installation Instructions

---

Insert gasket around the drainpipe in the drain fitting and make final connections.

**NOTE: Manufacturer is not responsible for leaking drain connections.**

13. Test unit for proper drainage by pouring 3-5 gallons of water into the unit and monitoring. If the unit does not drain properly, the unit must be pulled back up to determine where the problem lies. Walls should be installed once the unit pan has been properly installed.
  14. Finish wall materials above the shower pan is per the owners or installers preference. Leave a 1/8" gap between the bottom edge of the wall board and the finished surface of the shower pan. Caulk this gap.
- 

Following the appropriate installation procedures is imperative for this product. Not following these procedures could result in product failure, which will not be covered under the manufacturer's warranty.