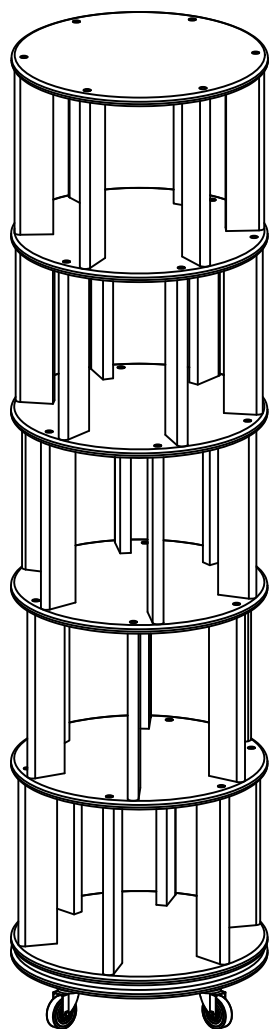
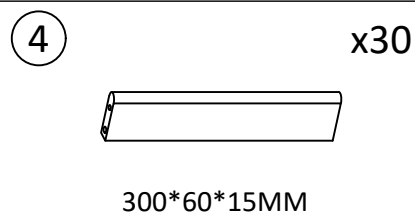
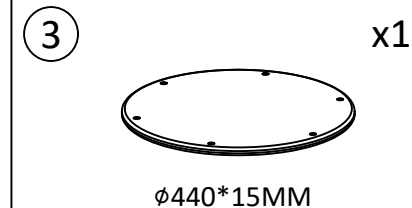
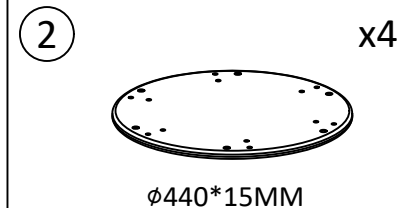
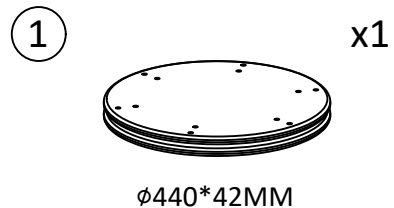


ASSEMBLY INSTRUCTIONS

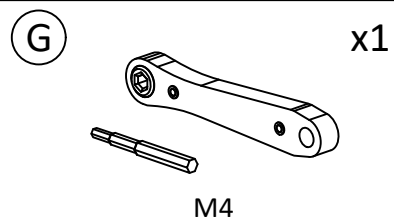
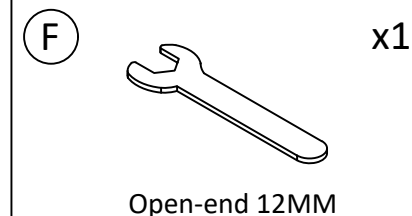
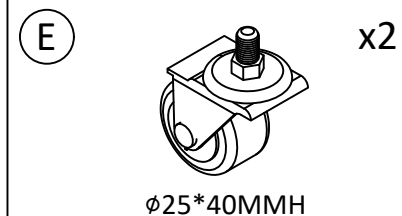
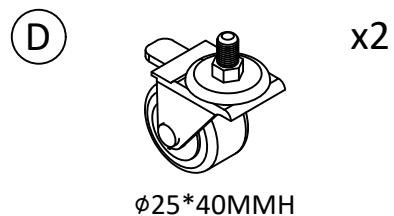
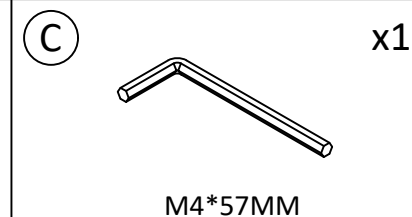
Part List

Model 5 Tier Rotating Bookshelf

Note After unpacking, check all parts and accessories against the instructions.



Hardware List

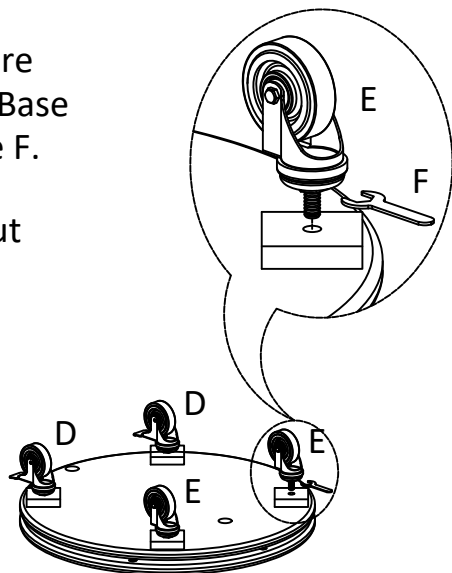


Model: 5 Tier Rotating Bookshelf

Step 1

Assemble as shown. Align Hardware D/E with the holes on the back of Base (Part 1) and secure with Hardware F.

Note: To use the bookshelf without wheels, skip this step.



Step 2

As shown in Figure 1, rotate Base (Part 1) until the back hole aligns with the front hole. Position Part 4 over the front holes and secure it from the back using Hardware A/B/G.

As shown in Figure 2, rotate Base (Part 1) and attach the remaining Part 4 using the same method as in Figure 1.

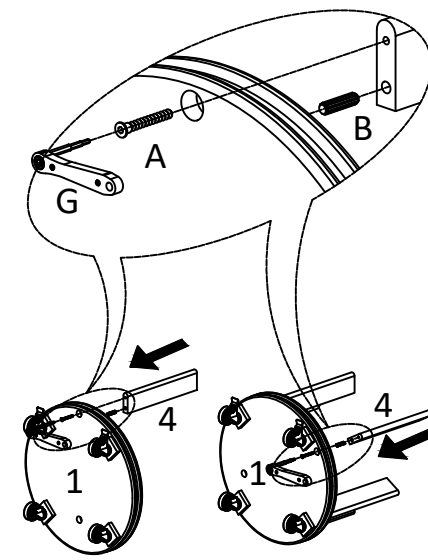
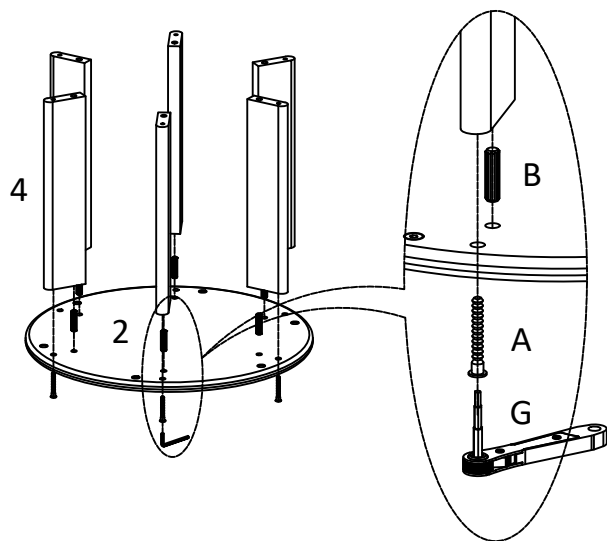


Figure 1

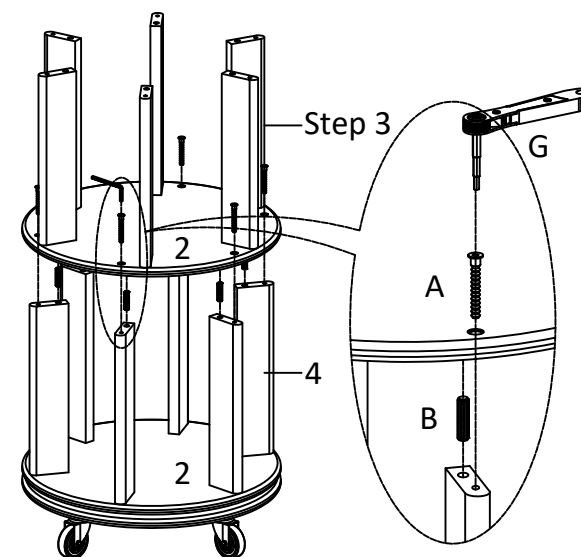
Figure 2

Step 3



As shown, use Hardware A/B/G to secure Parts 2 and 4 together. Repeat this step for all Parts 2 and 4.

Step 4

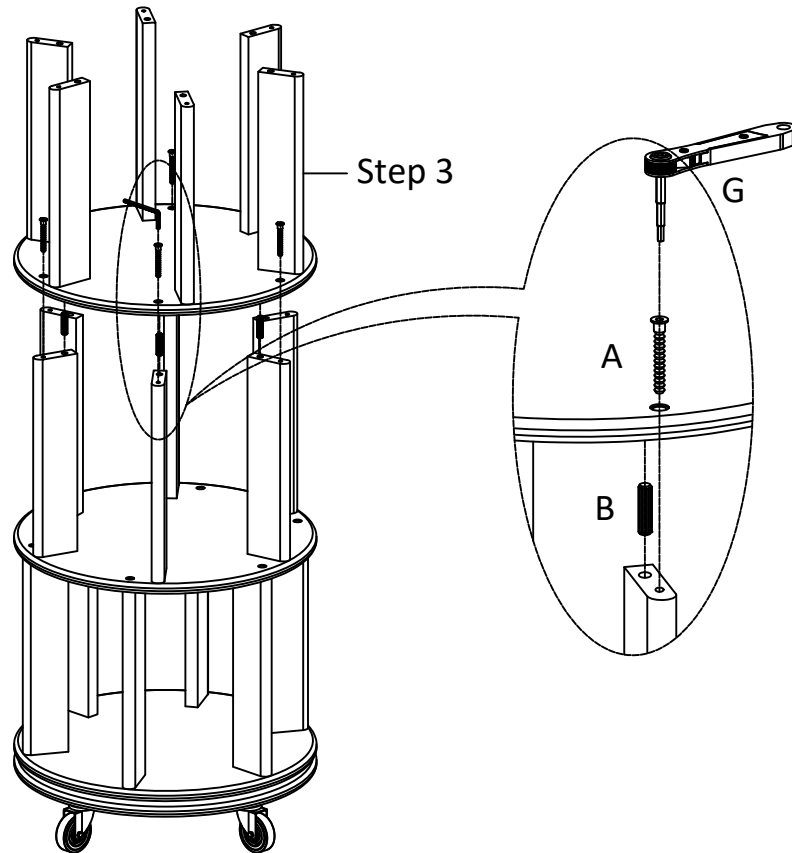


Align the Step 3 assembly with the Step 2 assembly as shown, and secure with Hardware A/B/G.

Model: 5 Tier Rotating Bookshelf

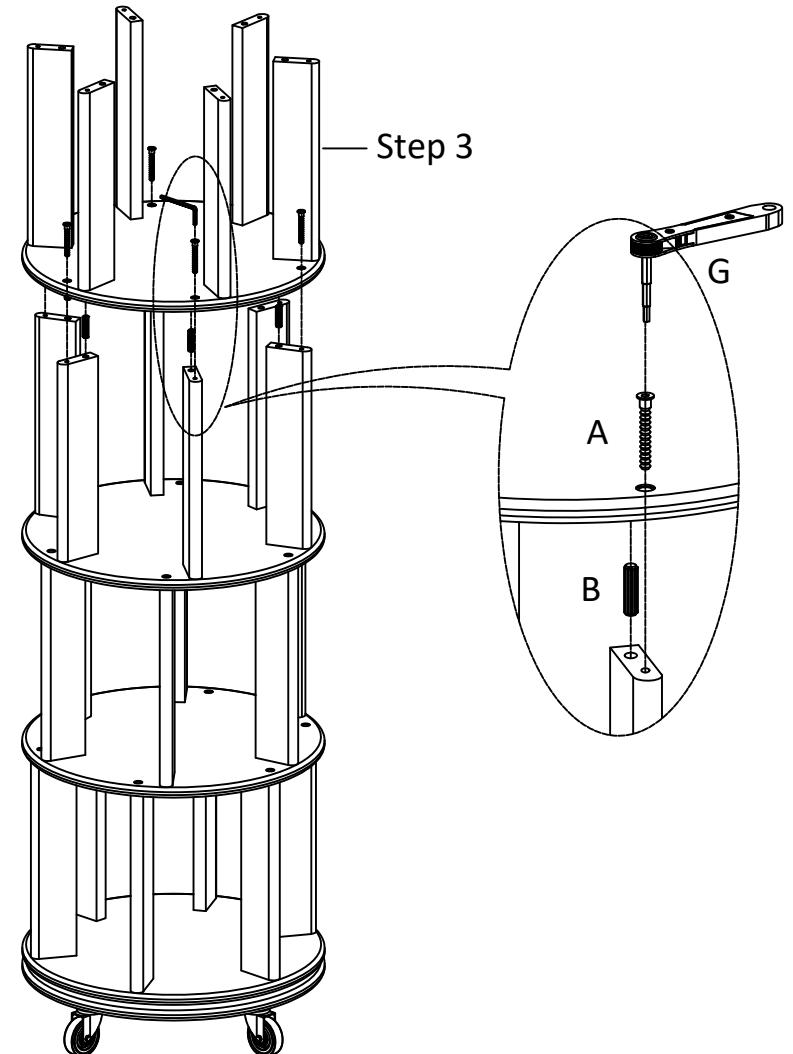
Step 5

Align the Step 3 assembly with the Step 4 assembly as shown, and secure with Hardware A/B/G.



Step 6

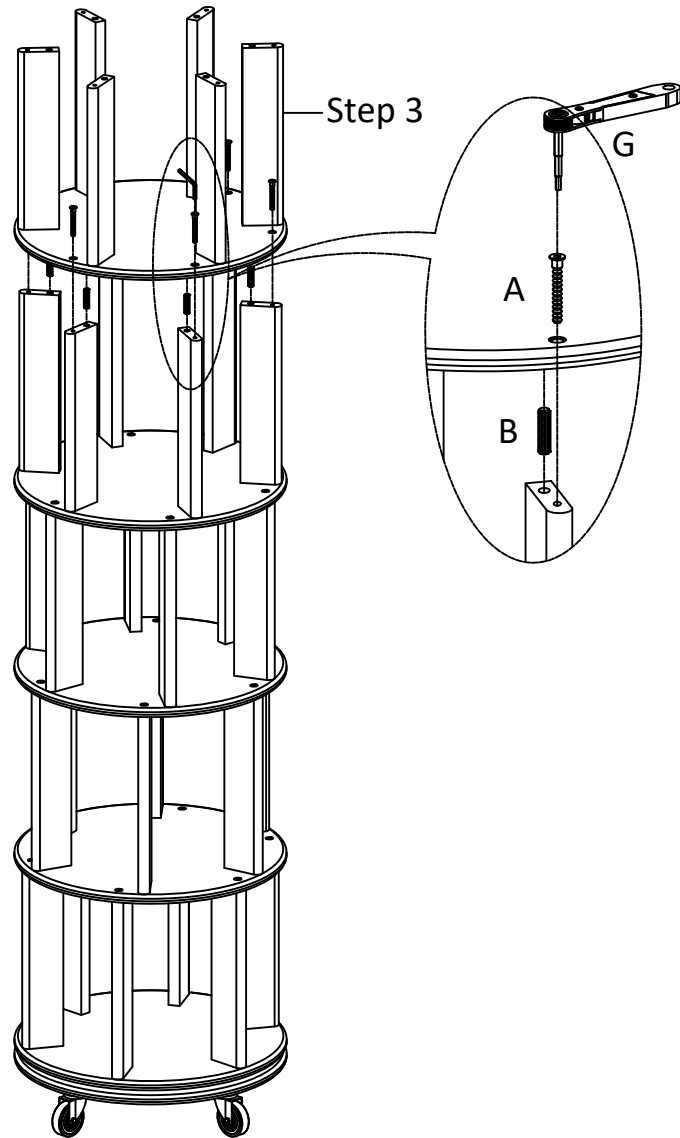
Align the Step 3 assembly with the Step 5 assembly as shown, and secure with Hardware A/B/G.



Model: 5 Tier Rotating Bookshelf

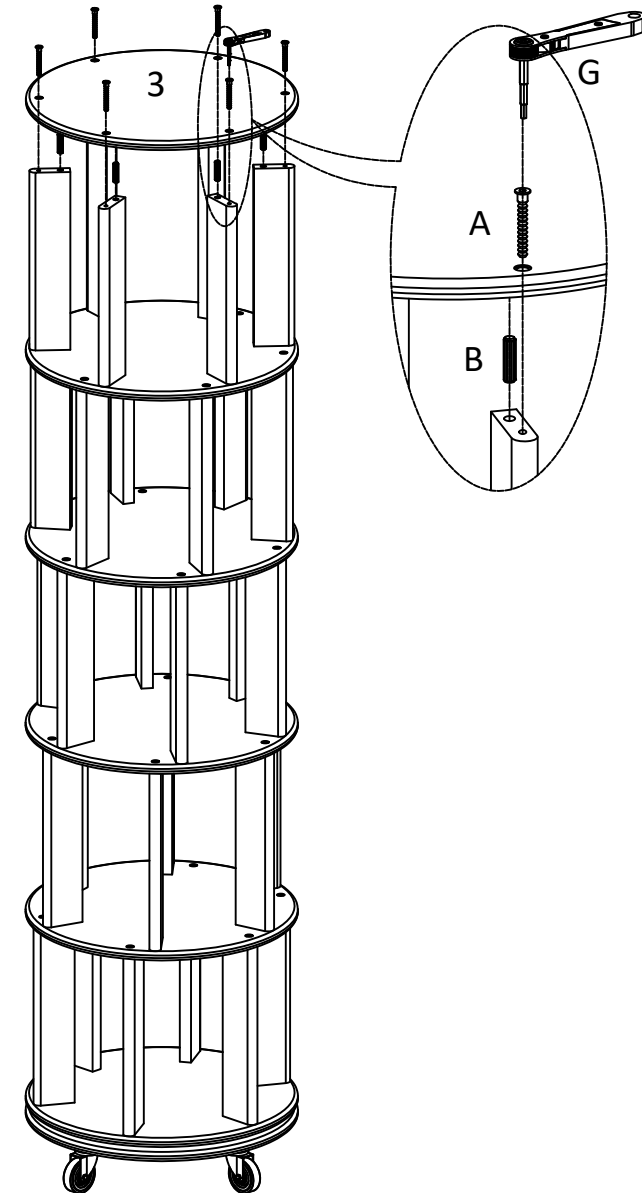
Step 7

Align the Step 3 assembly with the Step 6 assembly as shown, and secure with Hardware A/B/G.



Step 8

Align the Roof Plate (Part 3) with the Step 7 assembly as shown, and secure with Hardware A/B/G.



Step 9

Assembly Complete.

