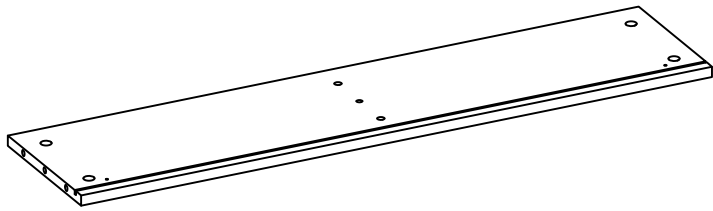


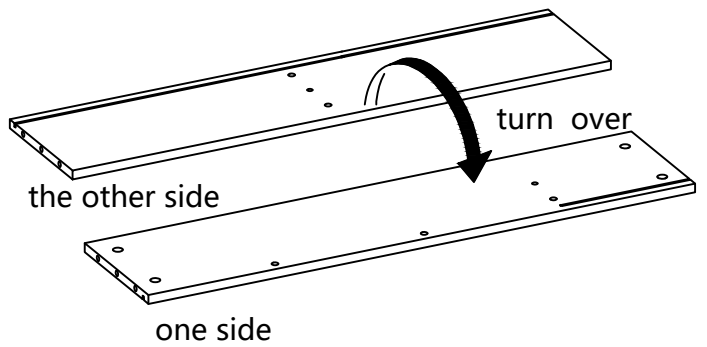
1



938*219*15mm

1PC

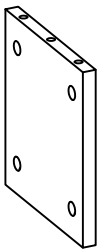
2



938*219*15mm

1PC

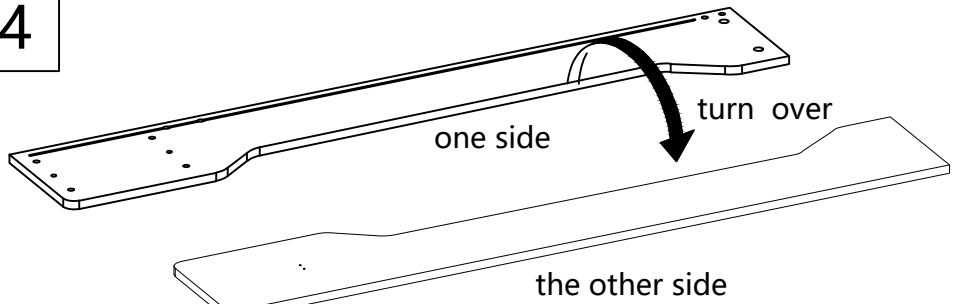
3



200*179*15mm

1PC

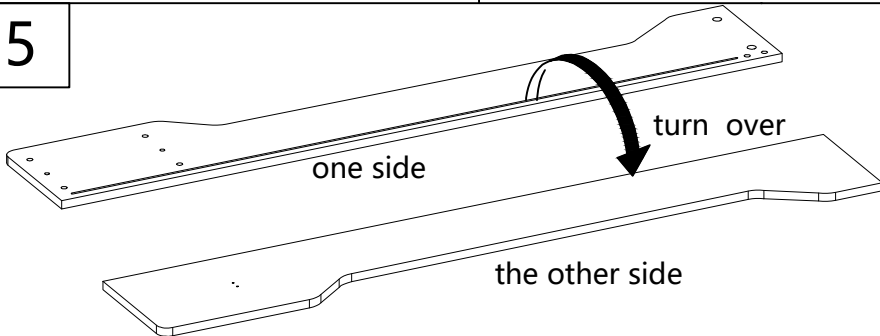
4



1342*220*15mm

1PC

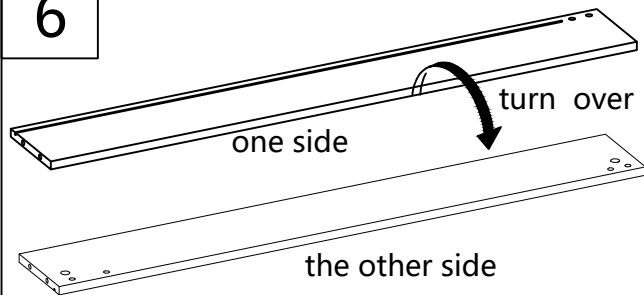
5



1342*220*15mm

1PC

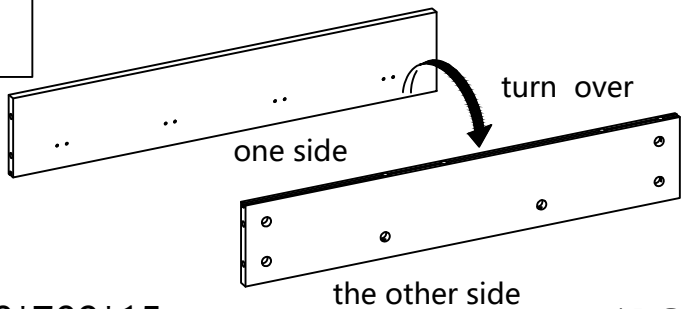
6



1092*149*15mm

1PC

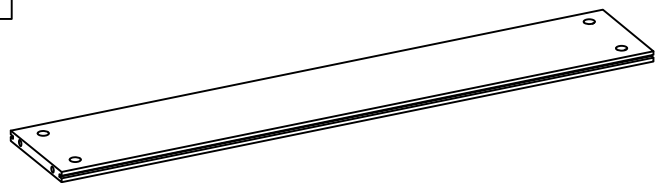
7



130*709*15mm

1PC

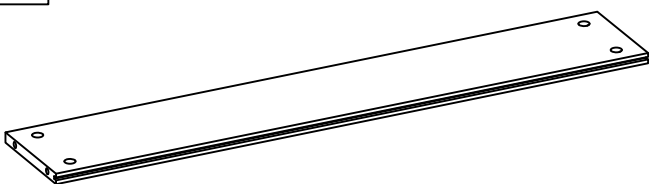
8



882*151*15mm

1PC

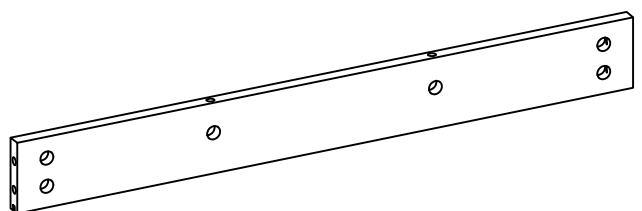
9



882*151*15mm

1PC

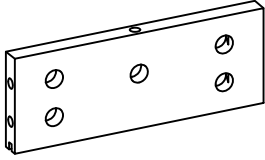
10



80*709*15mm

1PC

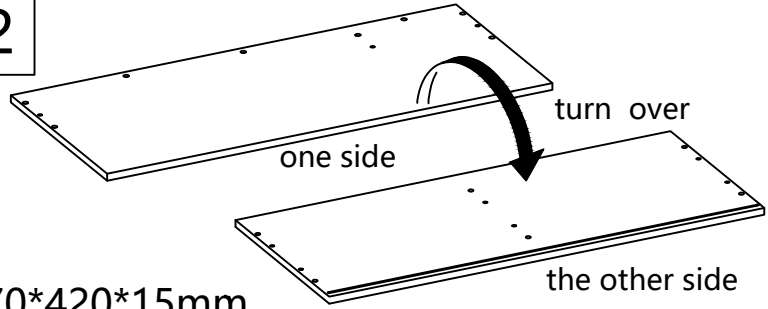
11



80*214*15mm

1PC

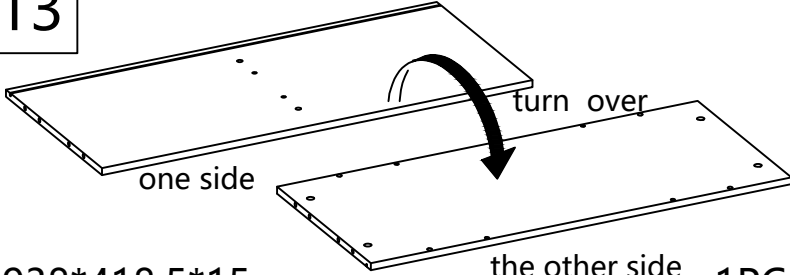
12



970*420*15mm

1PC

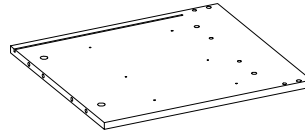
13



938*418.5*15mm

1PC

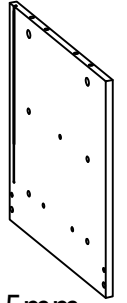
14



463*419*15mm

1PC

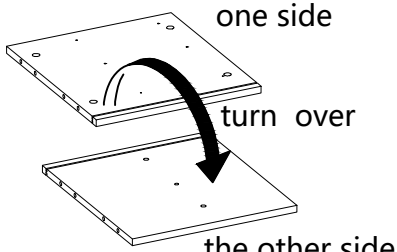
15



463*419*15mm

1PC

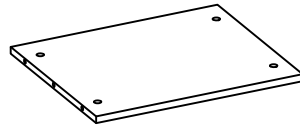
16



368*402*15mm

1PC

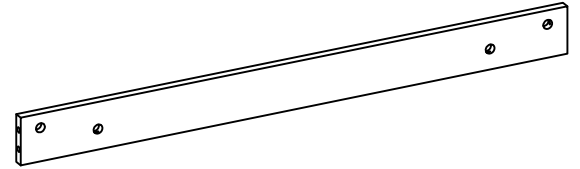
17



461.5*381*15mm

1PC

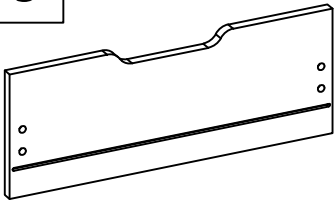
18



938*80*15mm

2PCS

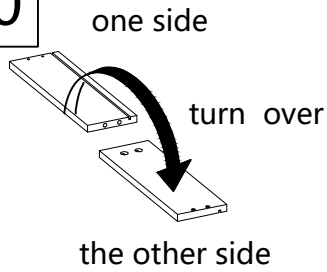
19



473*179.5*15mm

2PCS

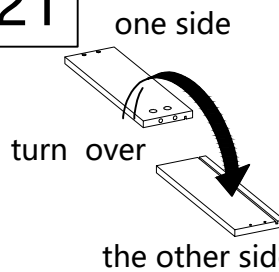
20



350*110*15mm

2PCS

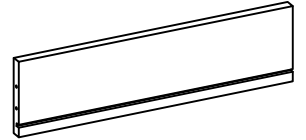
21



350*110*15mm

2PCS

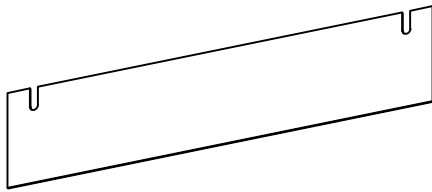
22



406.5*110*15mm

2PCS

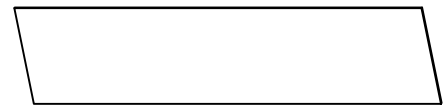
23



208*948*3mm

1PC

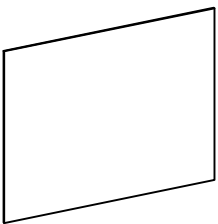
24



892*213.5*3mm

2PCS

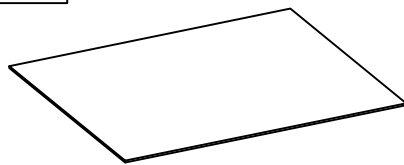
25



376*470.5*3mm

2PCS

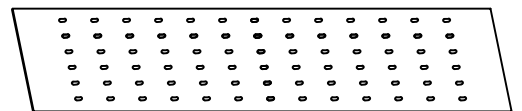
26



416.5*345*3mm

2PCS

27



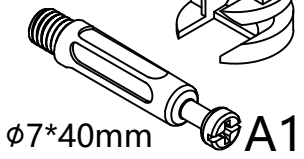
1022*222*3mm

1PC

A

ø15*11mm

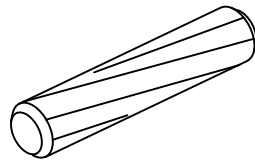
A2



ø7*40mm

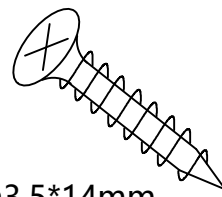
A1

75PCS

B

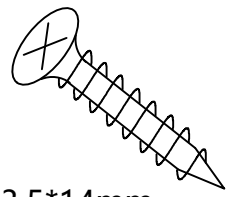
ø8*30mm

32PCS

C

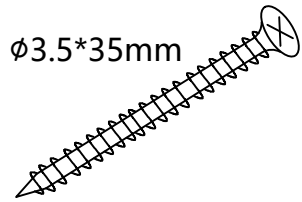
ø3.5*14mm

52PCS

D

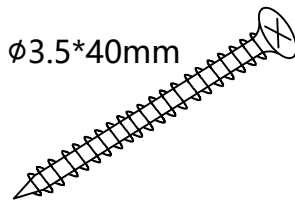
ø3.5*14mm

12PCS

E

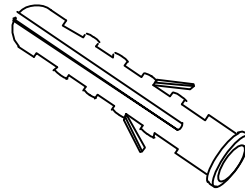
ø3.5*35mm

8PCS

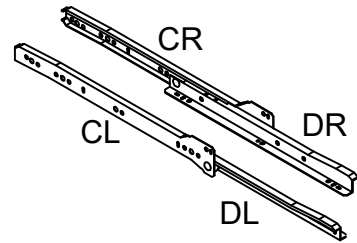
F

ø3.5*40mm

2PCS

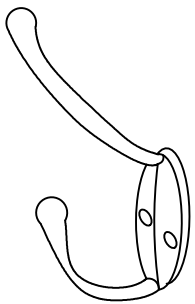
G

2PCS

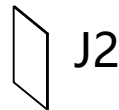
H

L=350mm

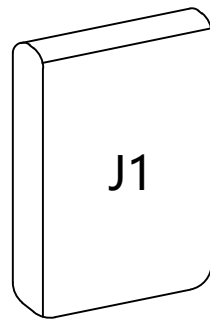
2PCS

I

6PCS

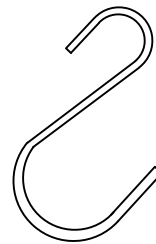
J

J2

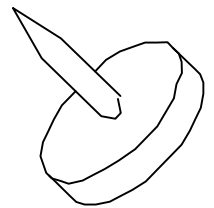


J1

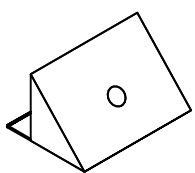
1PC

K

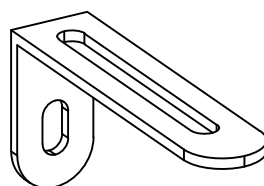
5PCS

L

16PCS

M

26PCS

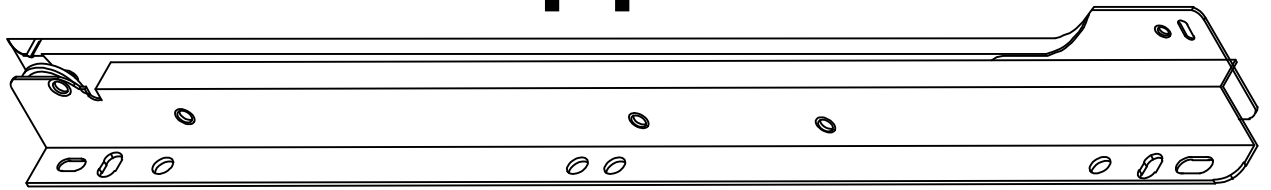
N

2PCS

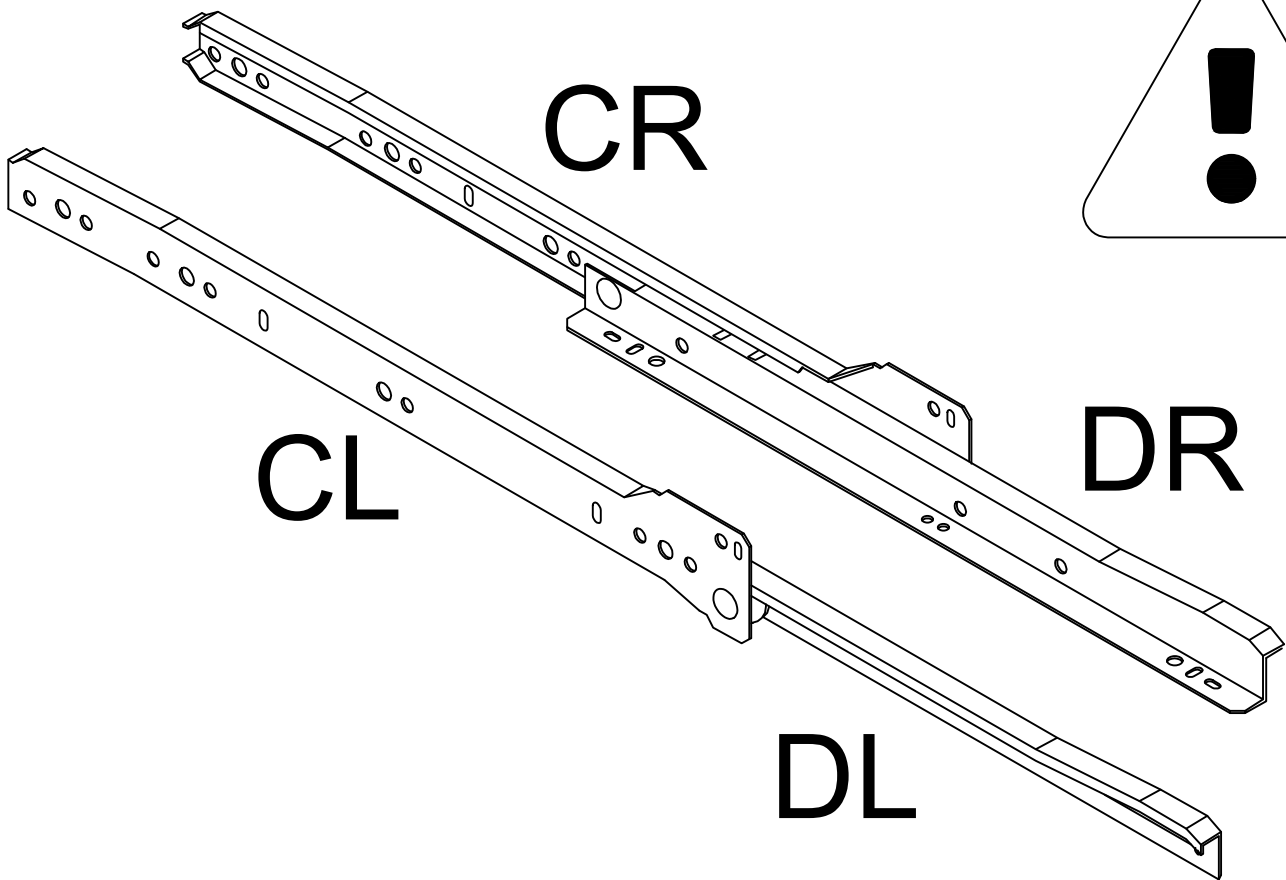
O

75PCS

H



CR

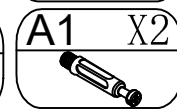
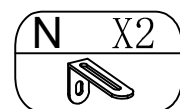
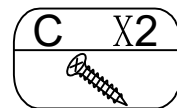
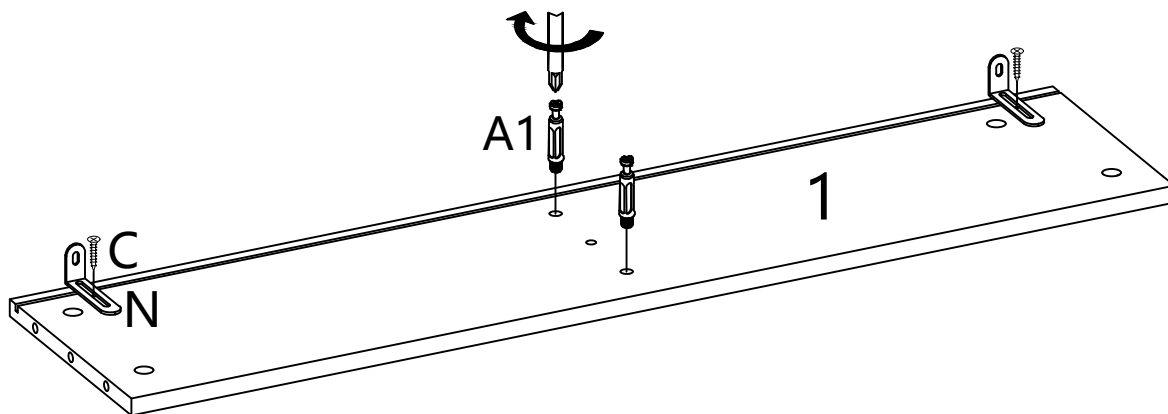
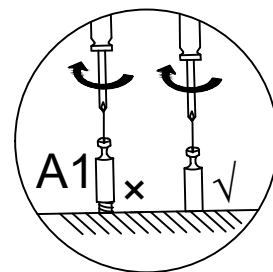
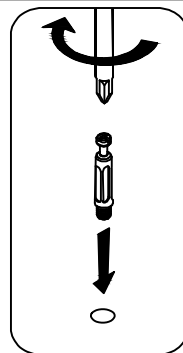


CL

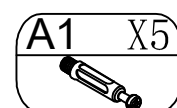
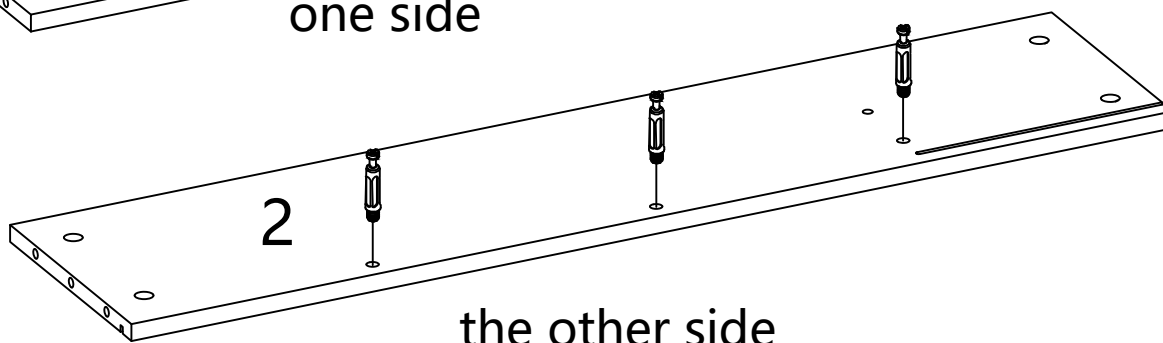
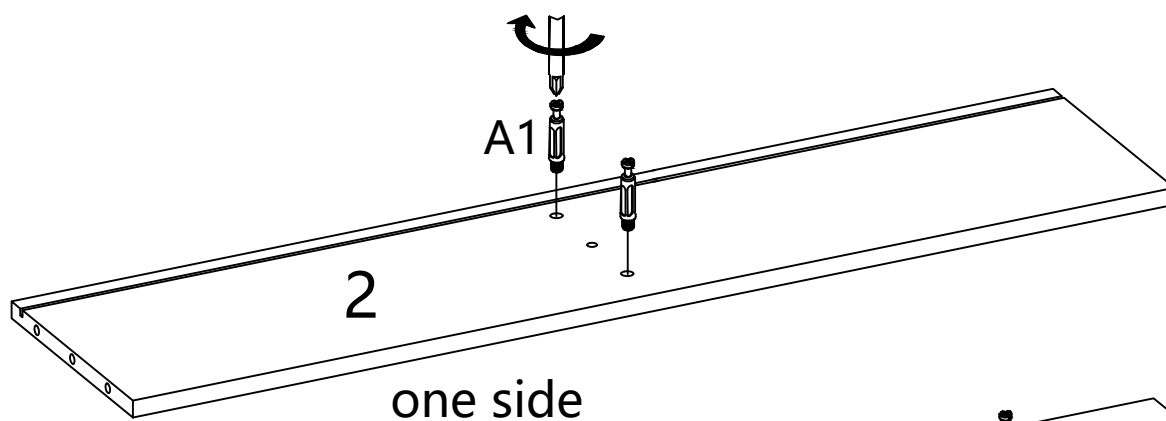
DR

DL

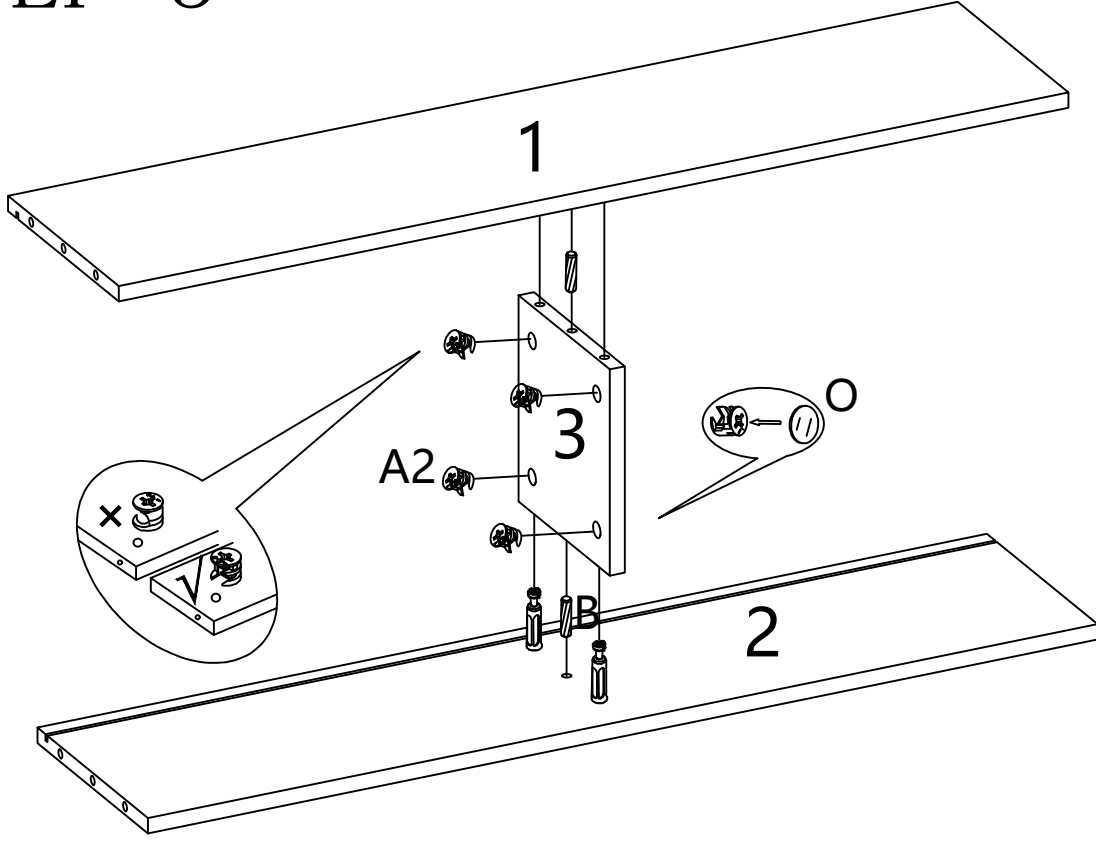
STEP 1



STEP 2

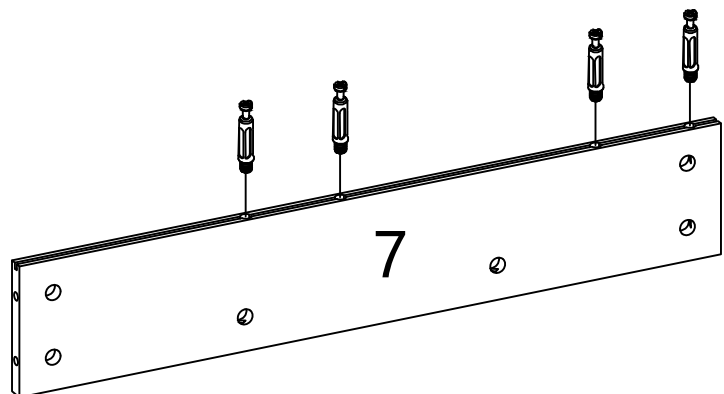
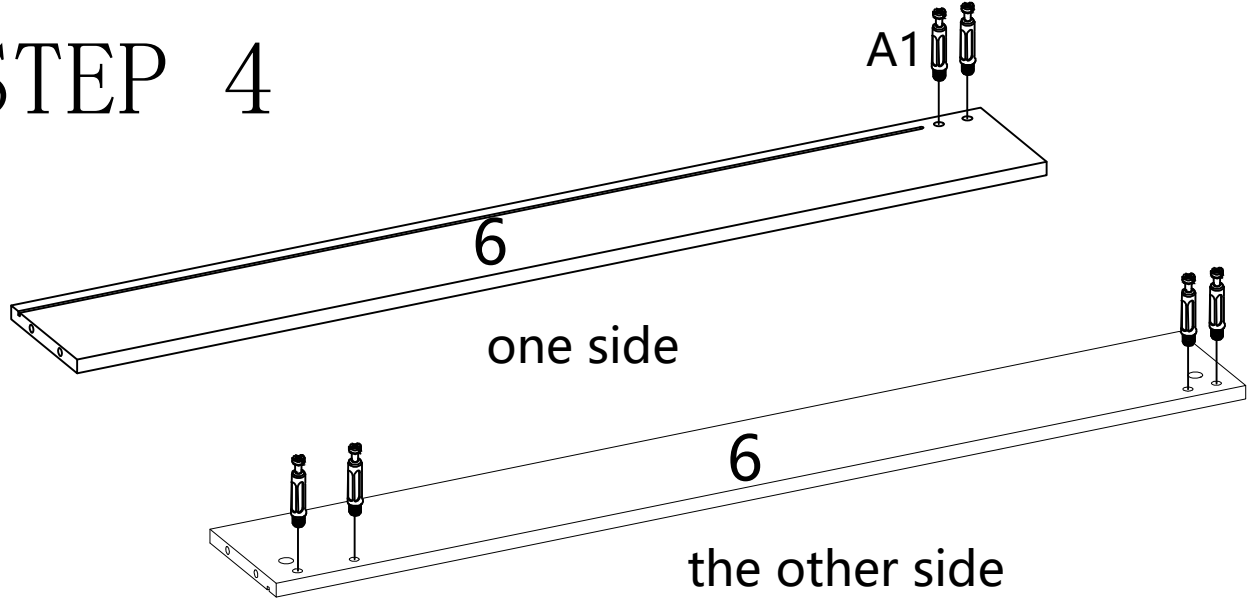


STEP 3



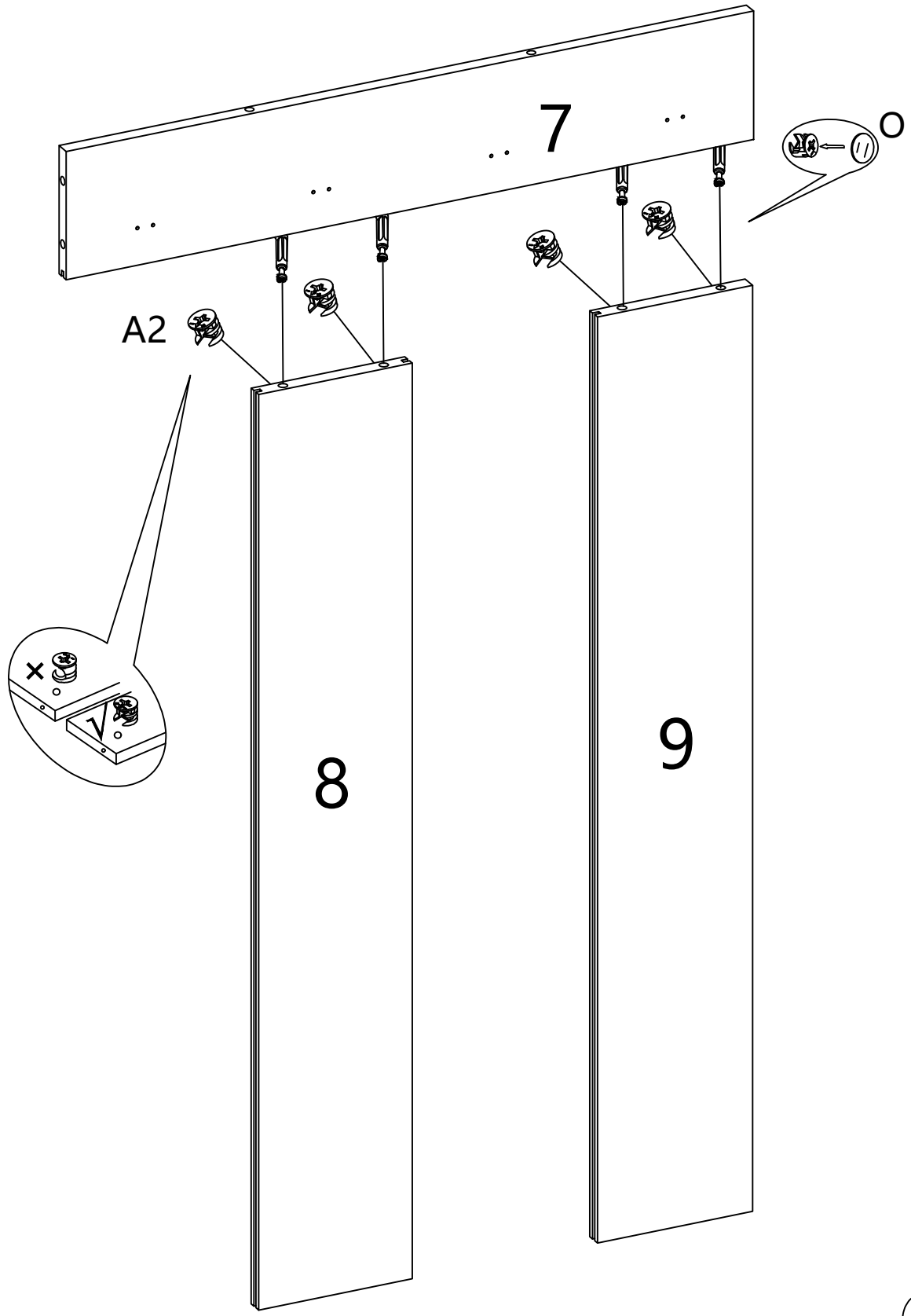
- O X4
- B X2
- A2 X4

STEP 4



- A1 X10

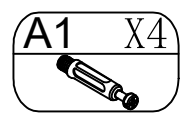
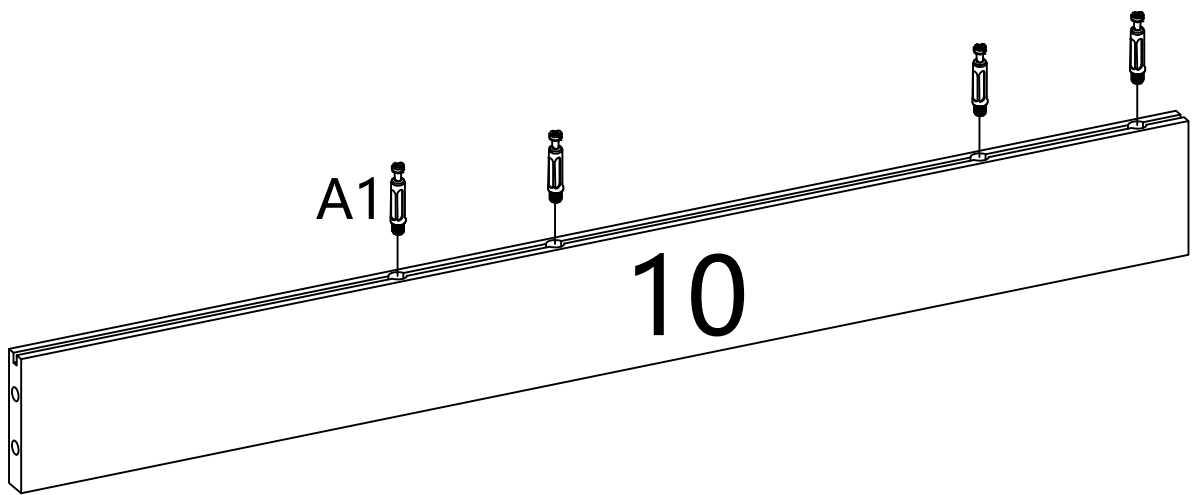
STEP 5



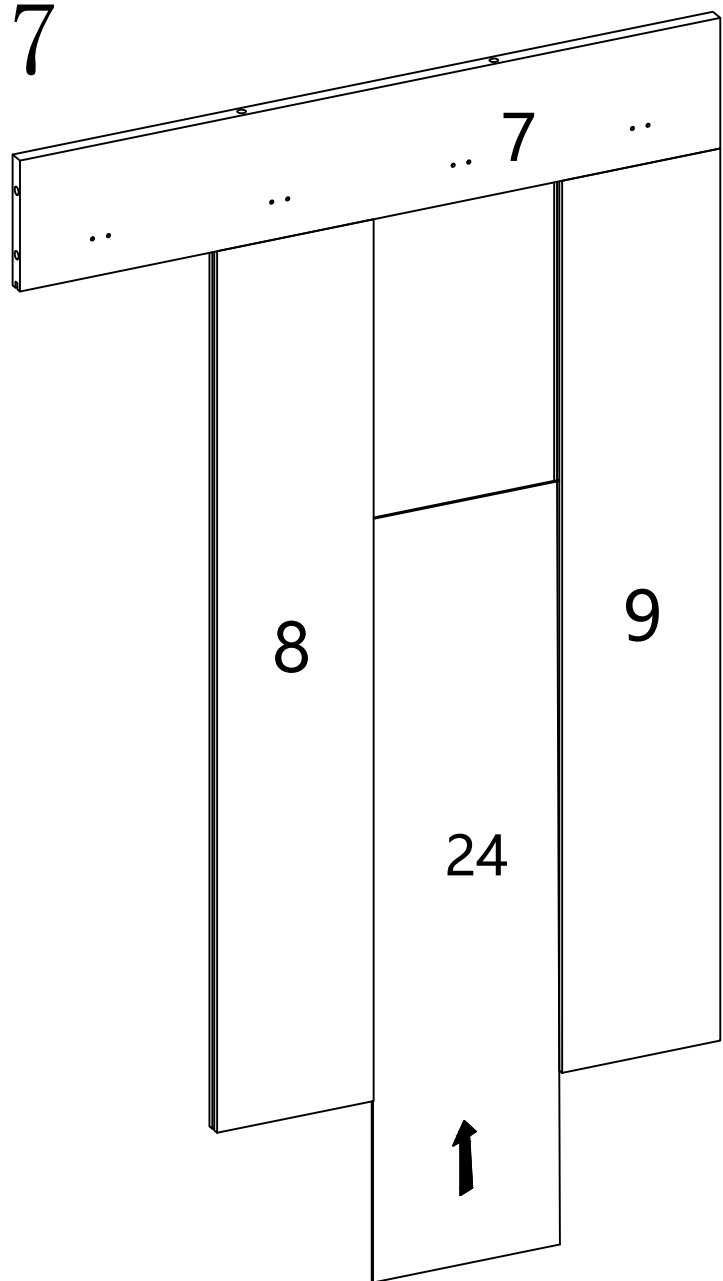
O	X4

A2	X4

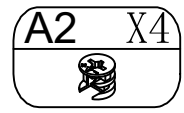
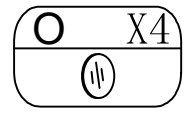
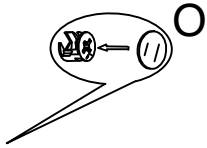
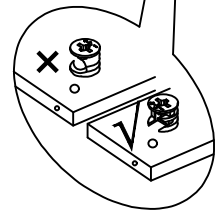
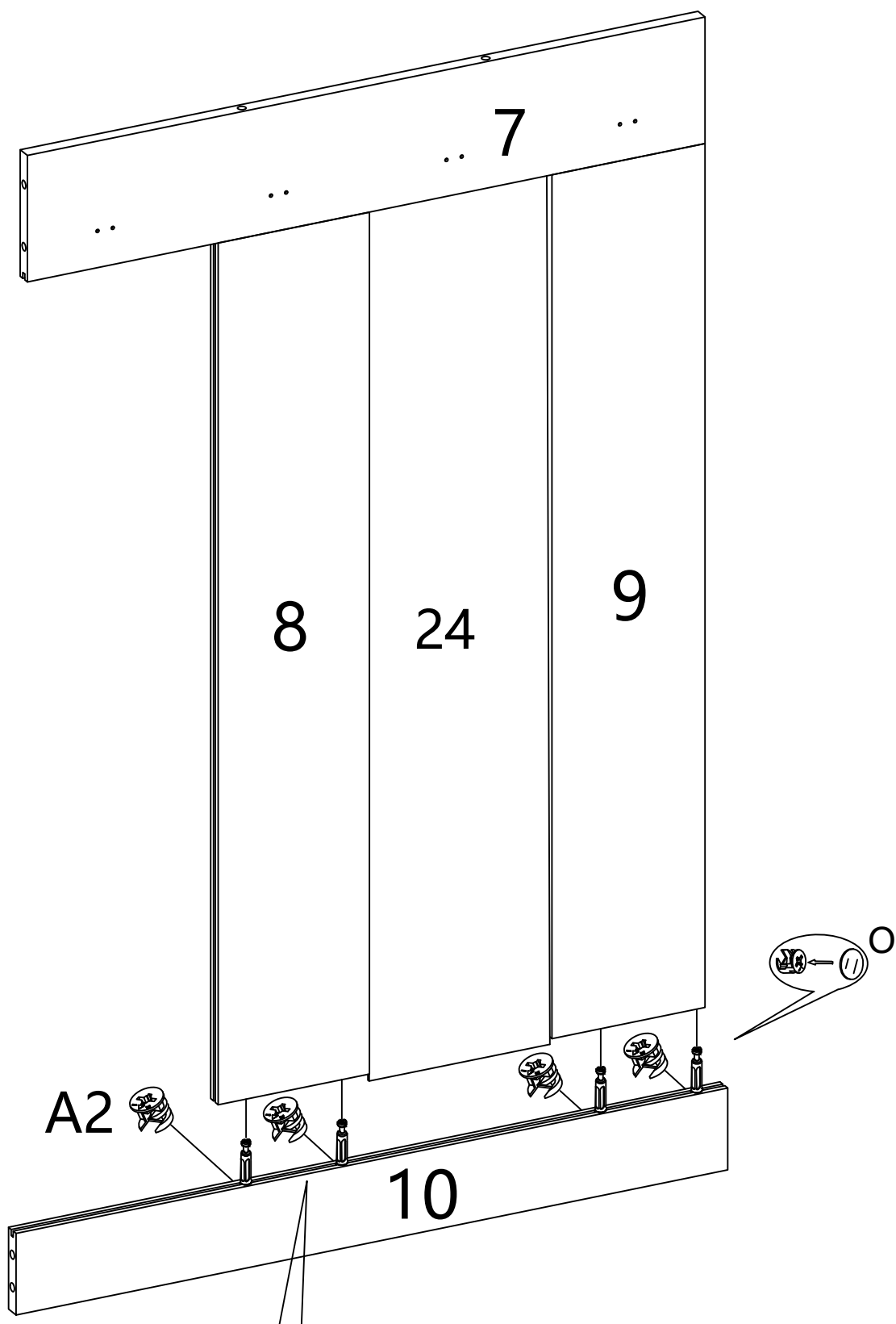
STEP 6



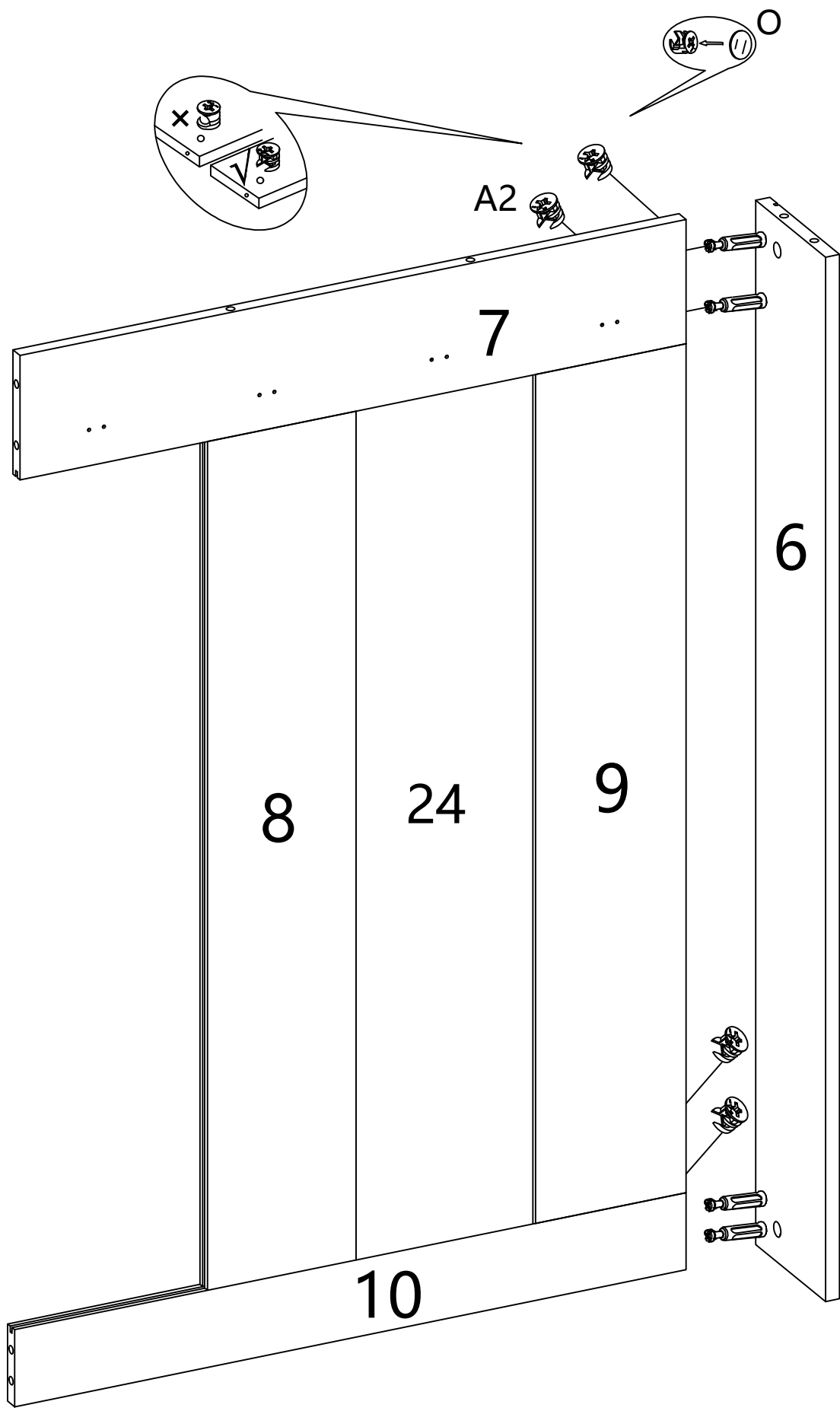
STEP 7



STEP 8



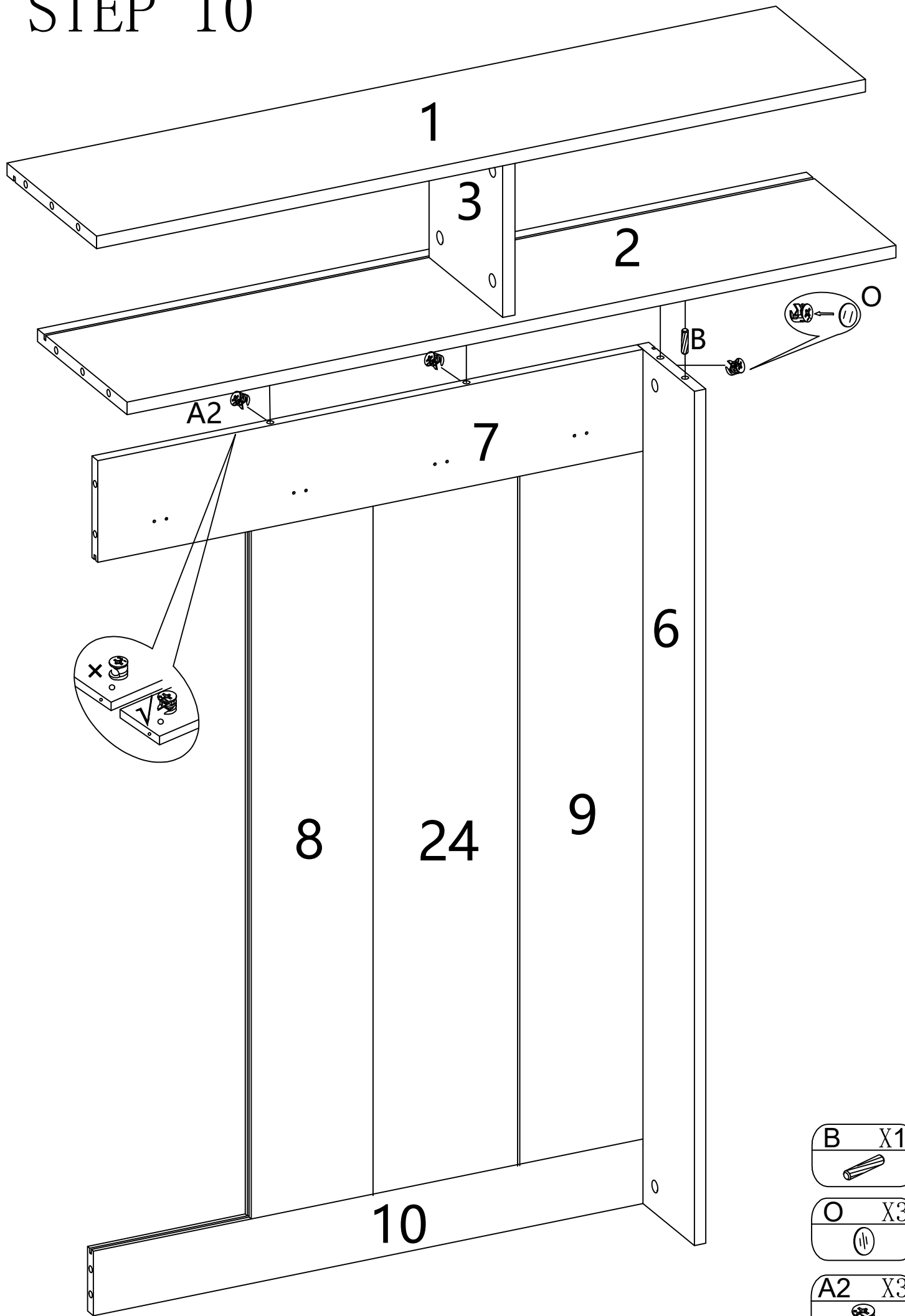
STEP 9

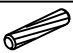




O X4
⊍

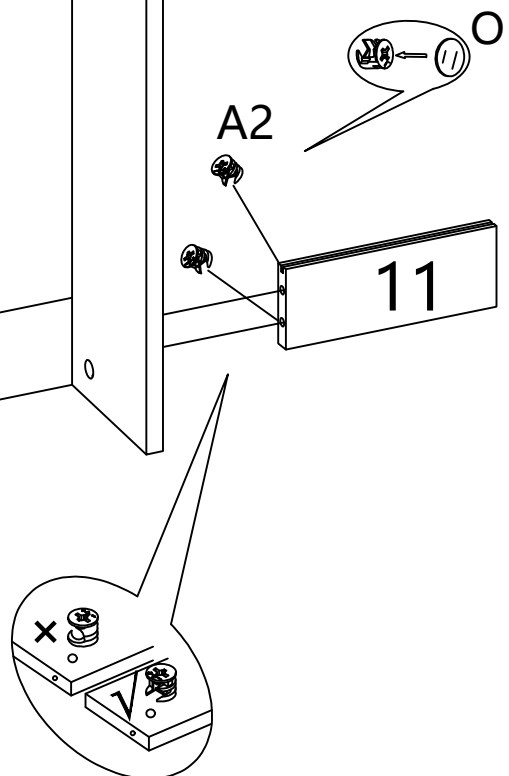
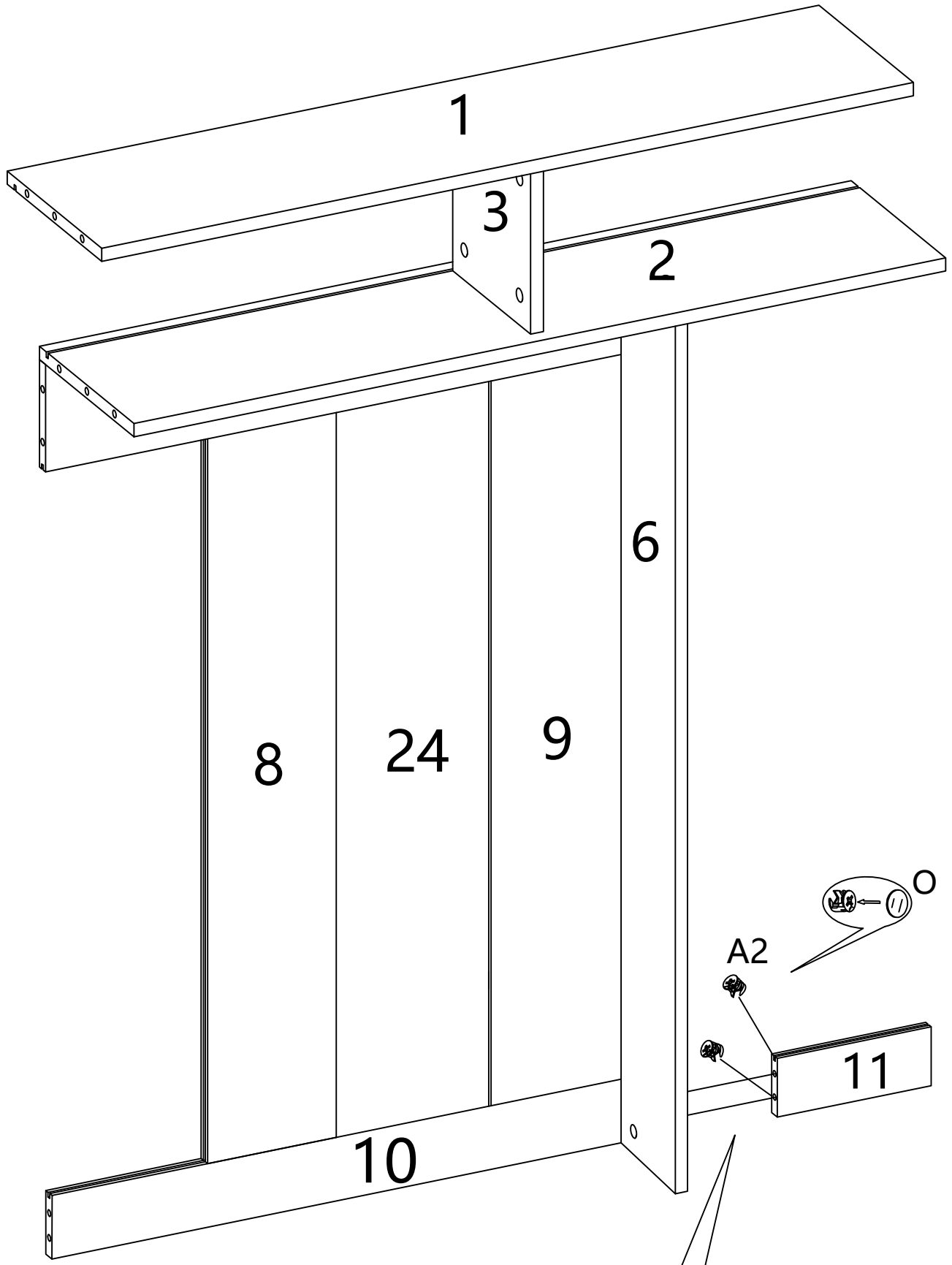
A2 X4
⊍

STEP 10



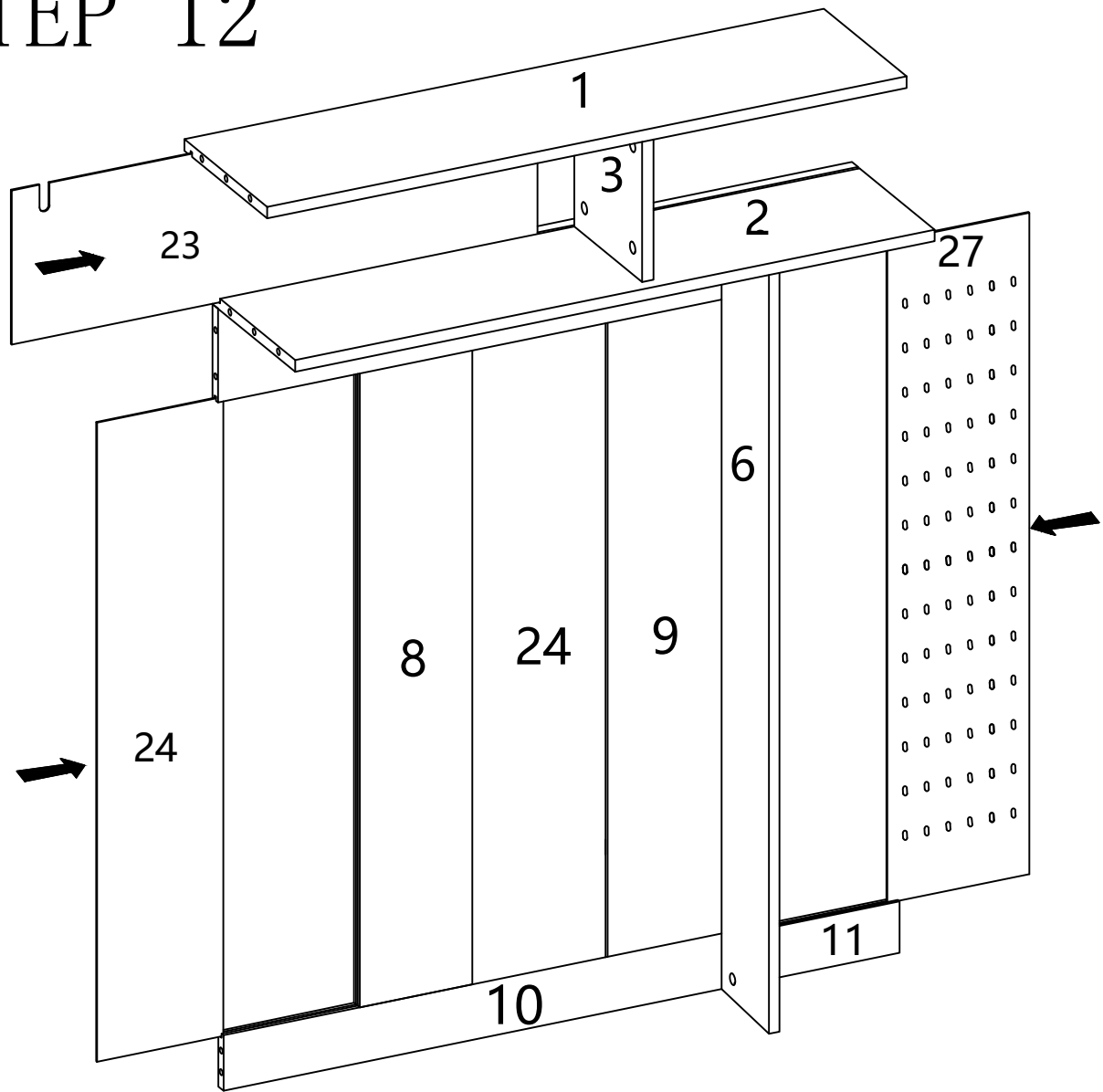
B	X1
	
O	X3
	
A2	X3
	

STEP 11

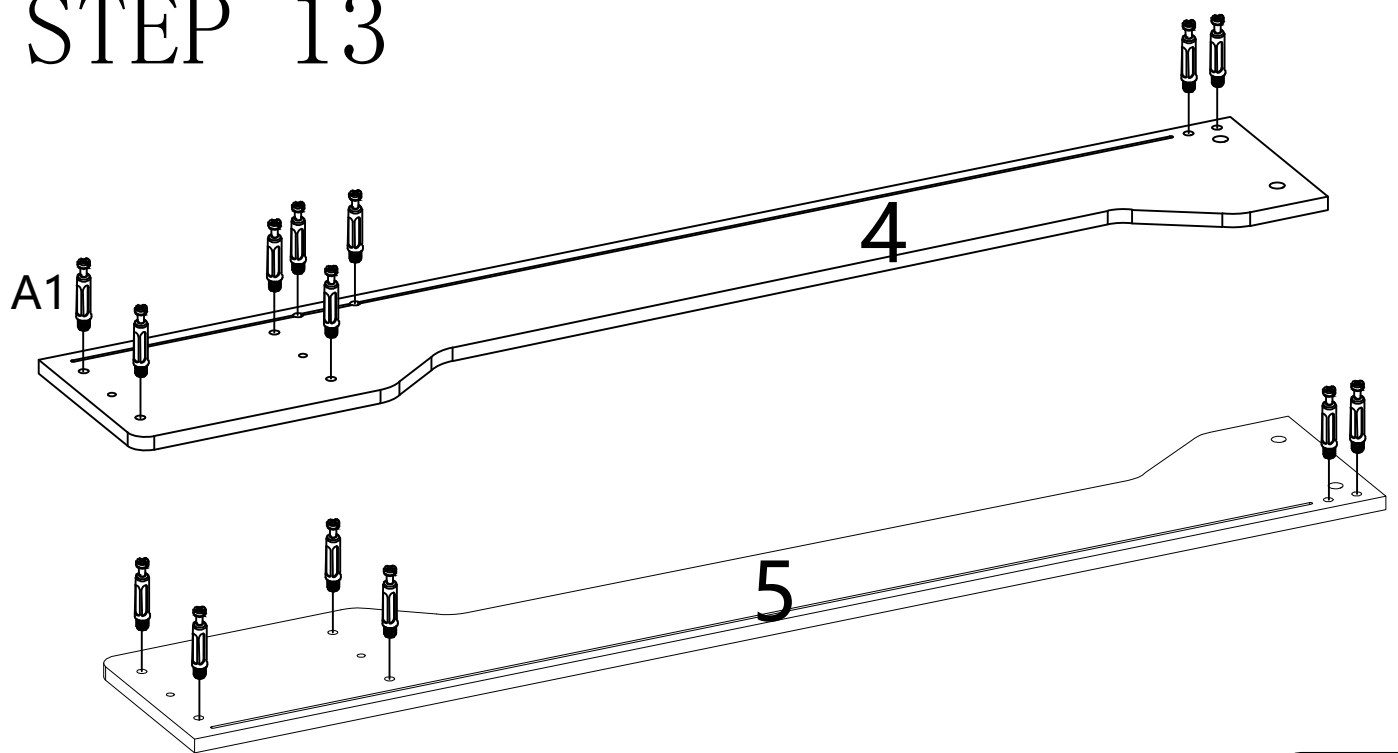


O	X2
(A2)	
A2	X2
(O)	

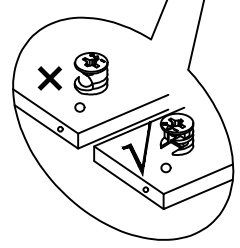
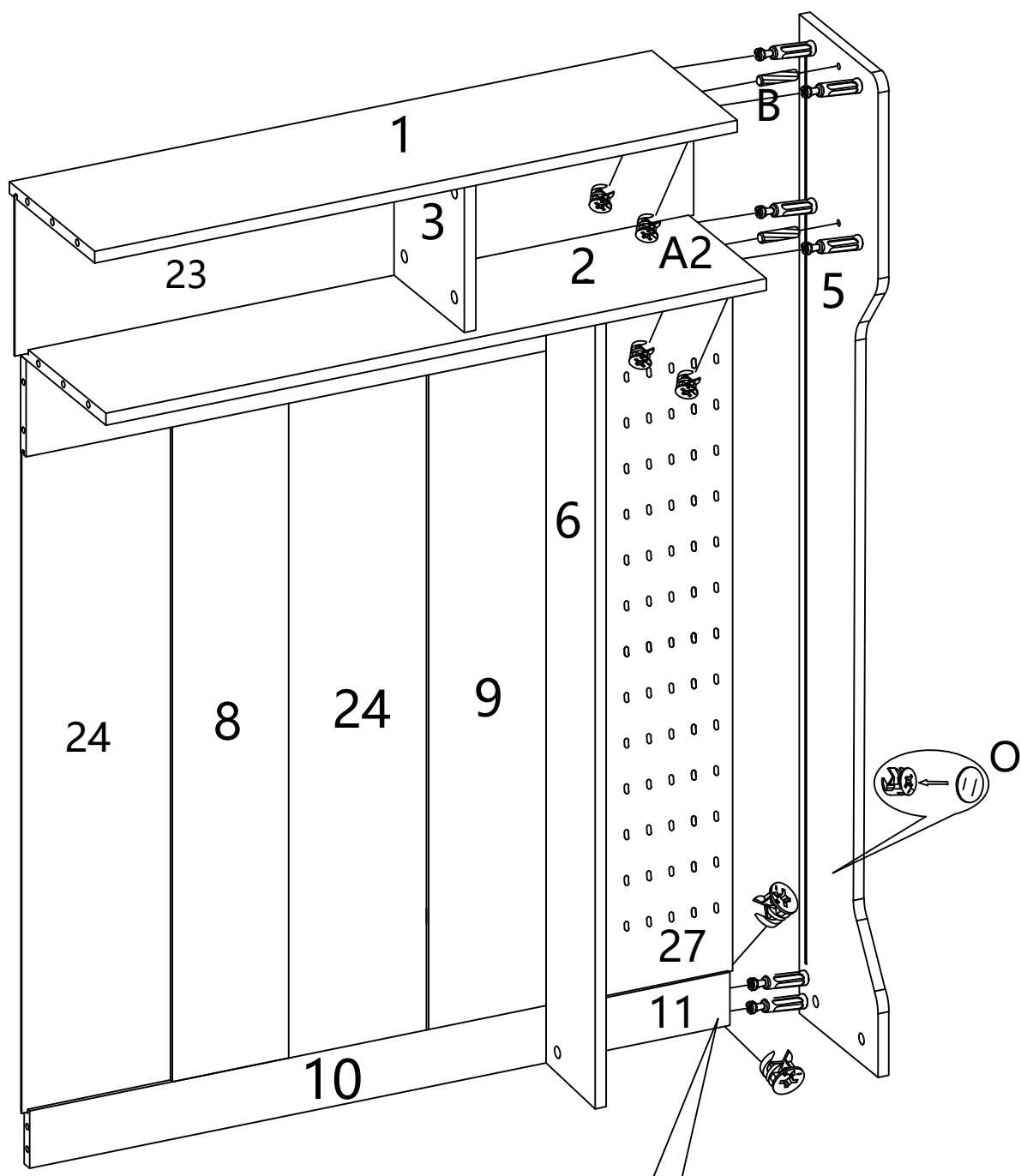
STEP 12



STEP 13

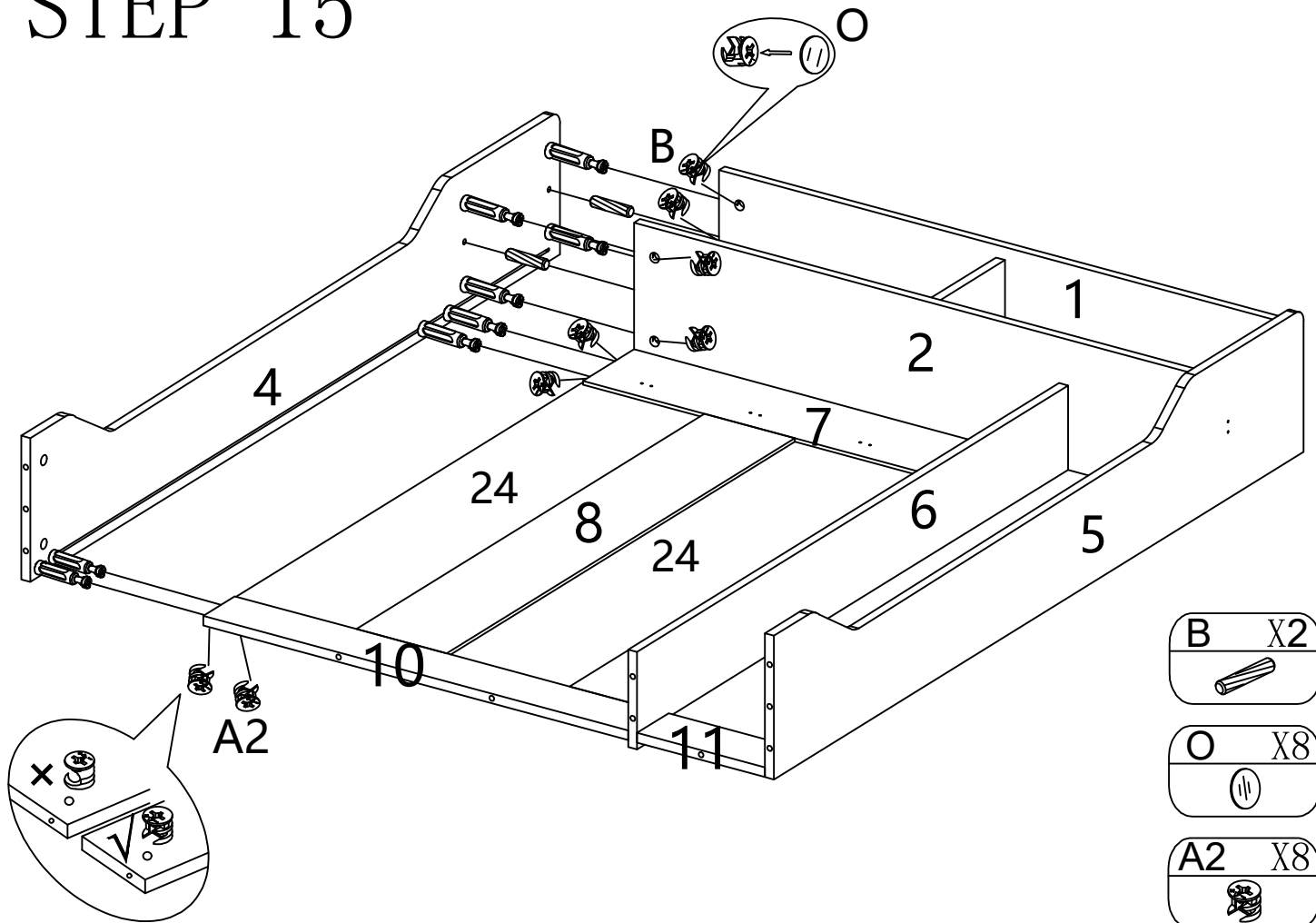


STEP 14

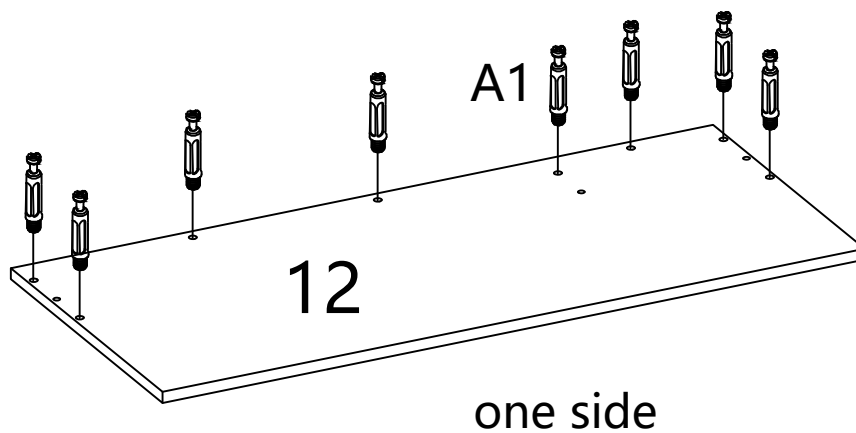
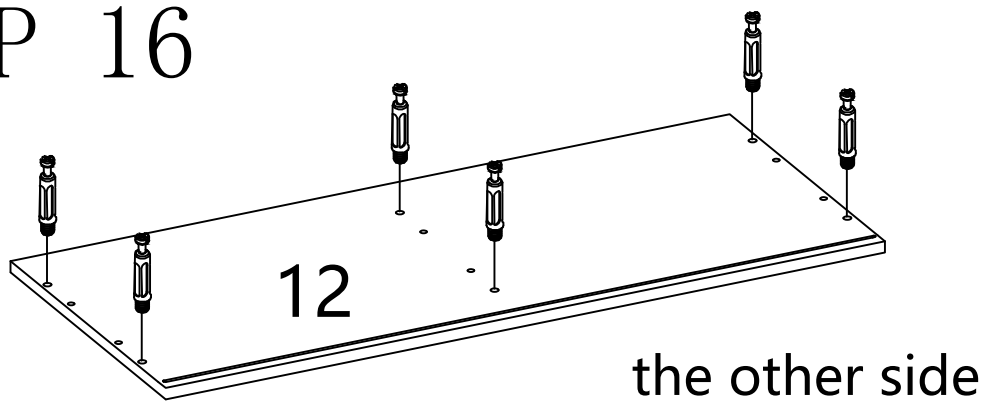


- B X2
- O X6
- A2 X6

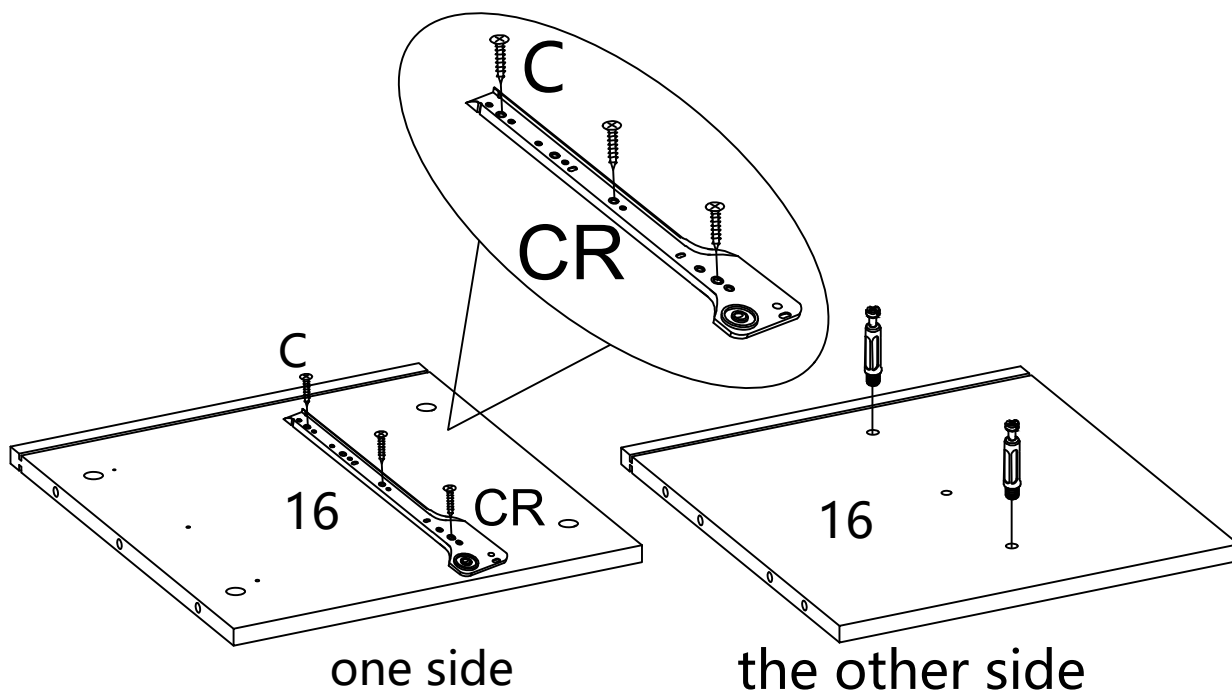
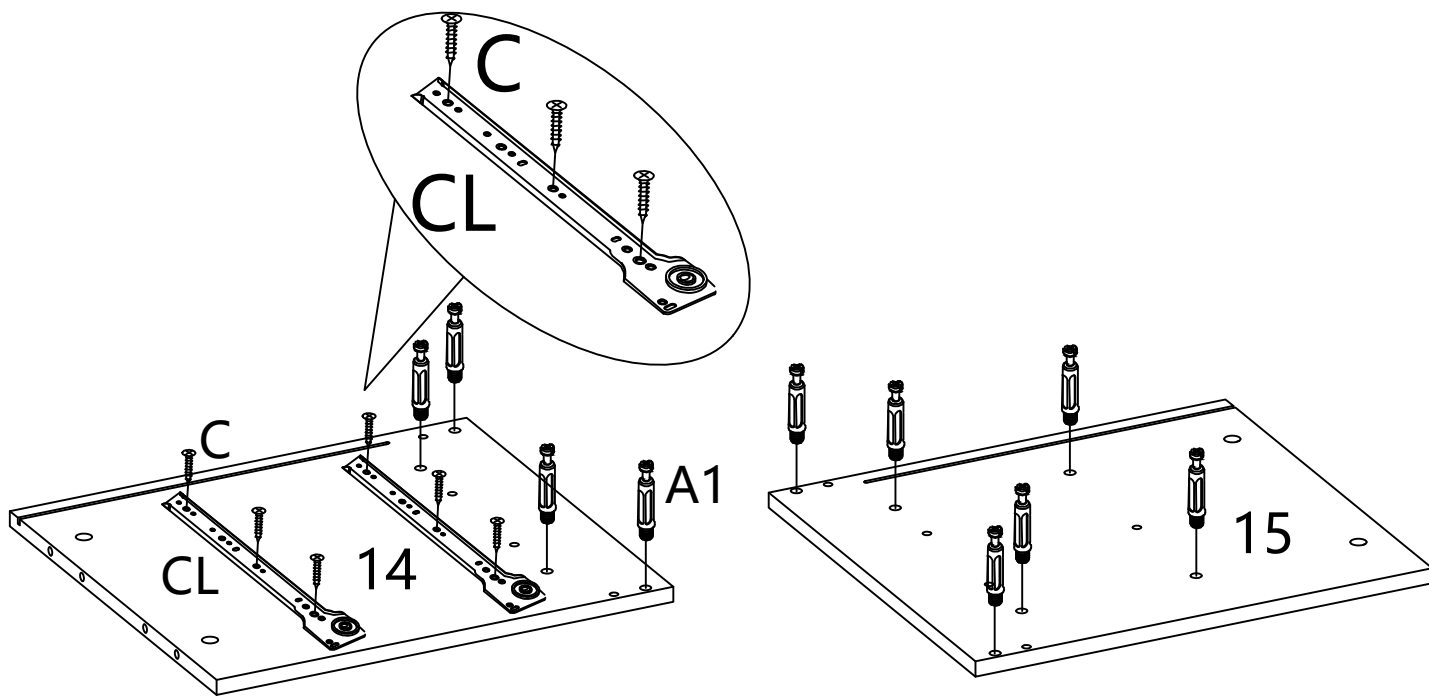
STEP 15







STEP 16

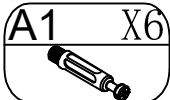
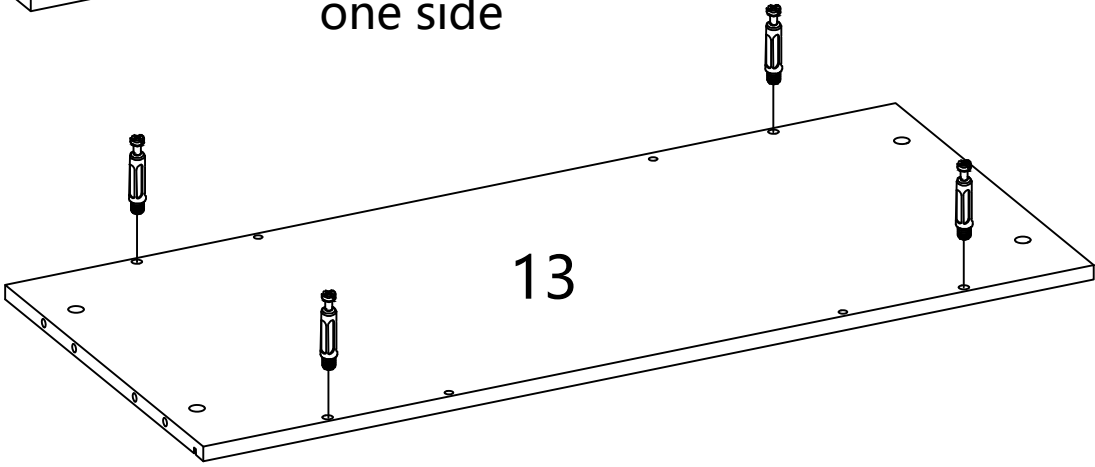
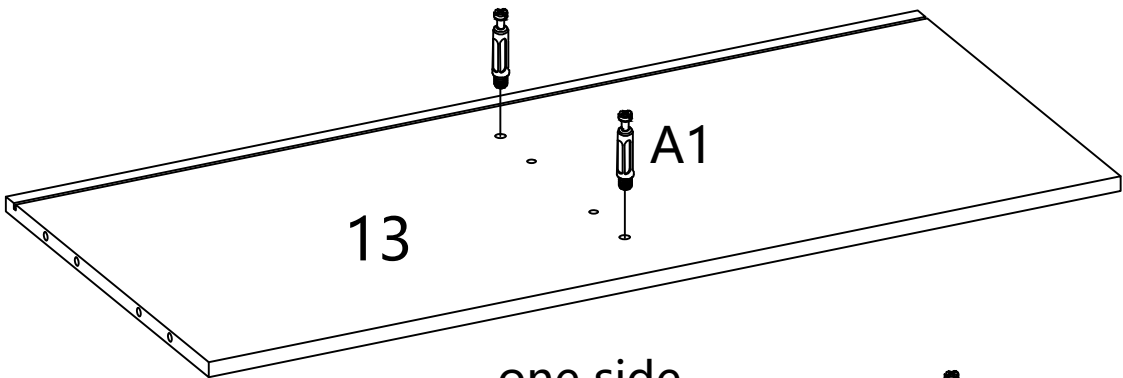


STEP 17

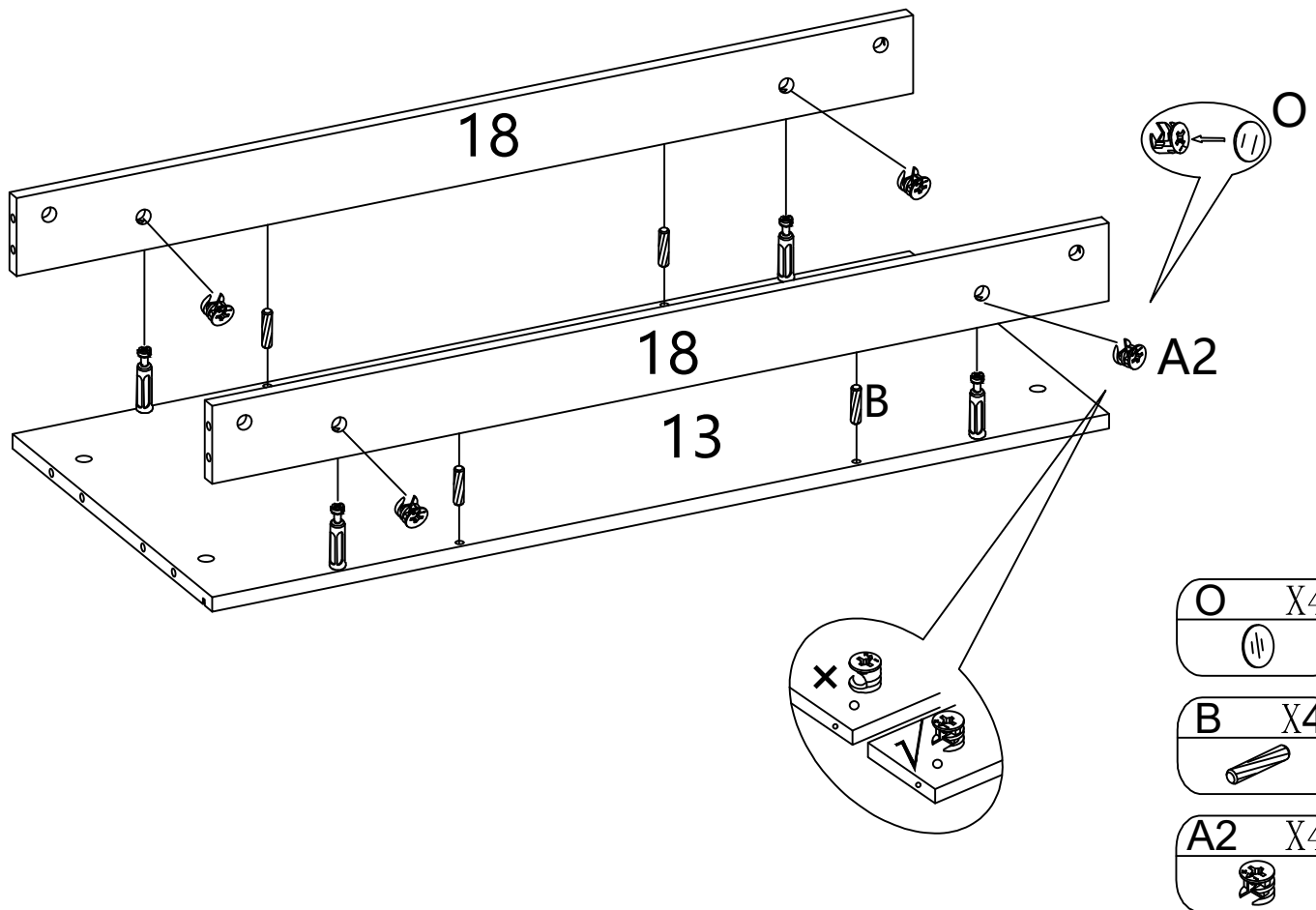


CR X1	C X9
	
CL X2	A1 X12
	

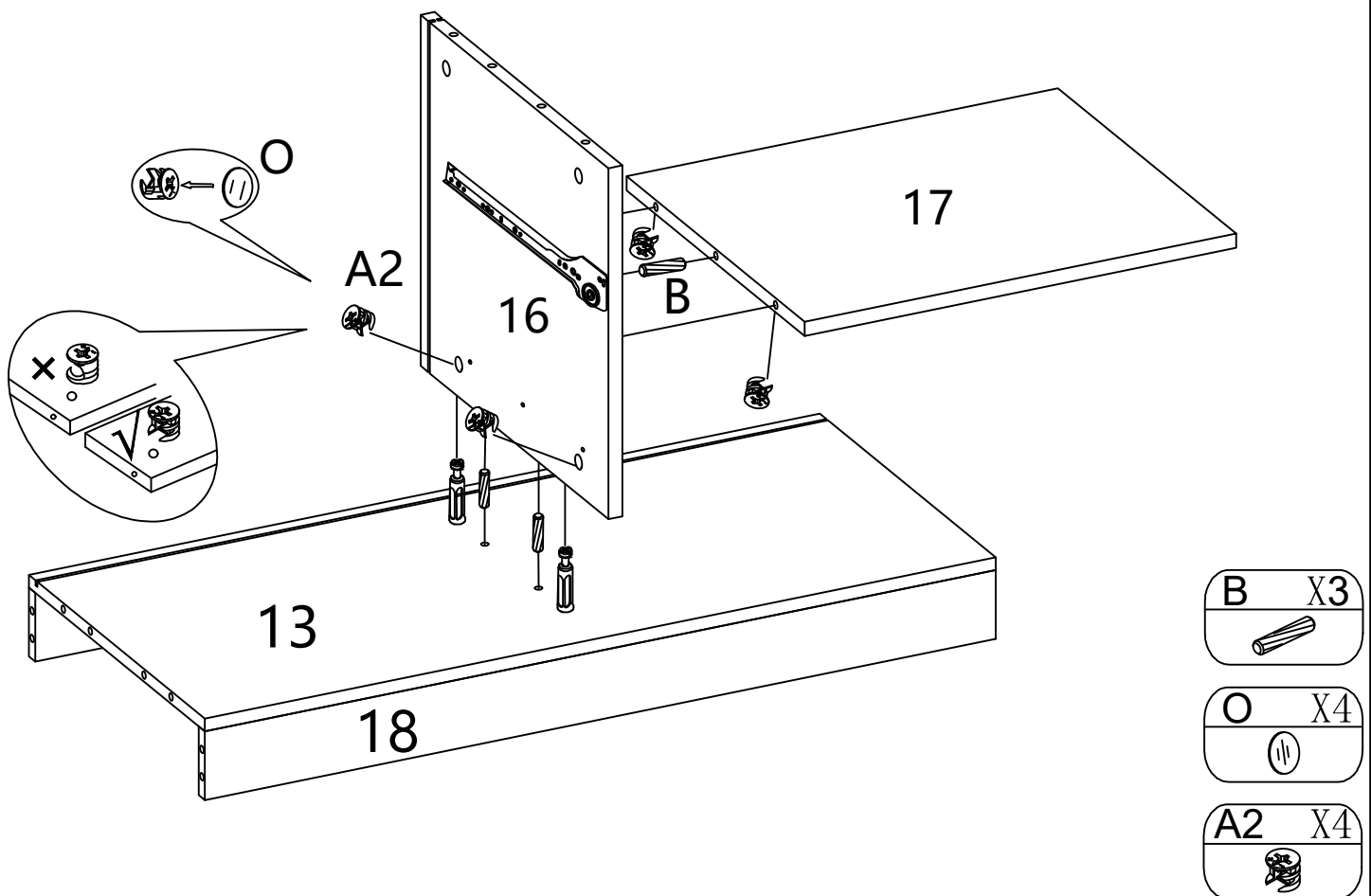
STEP 18



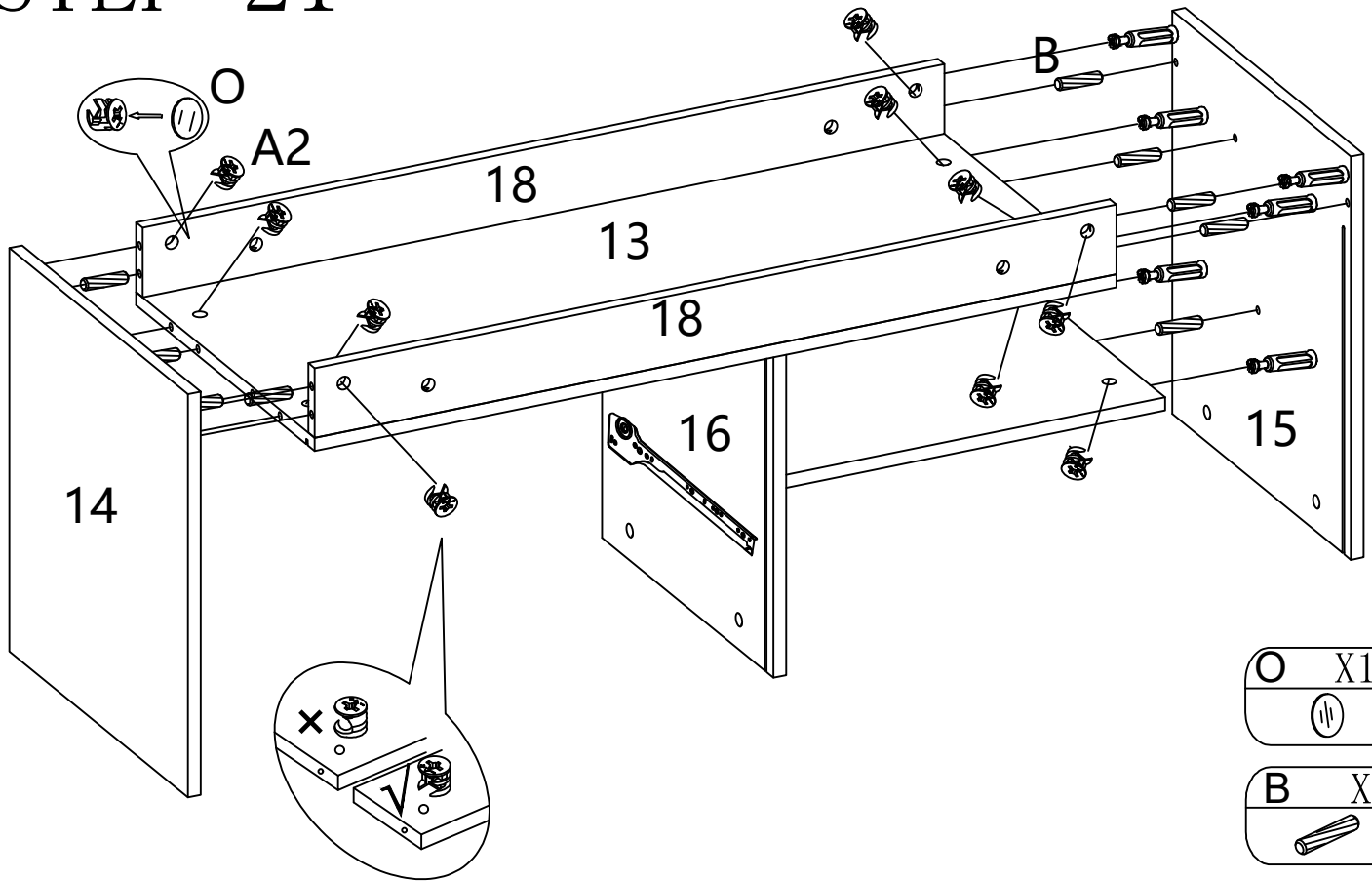
STEP 19



STEP 20

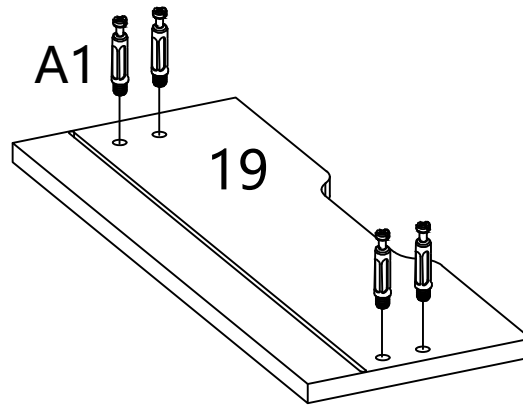


STEP 21

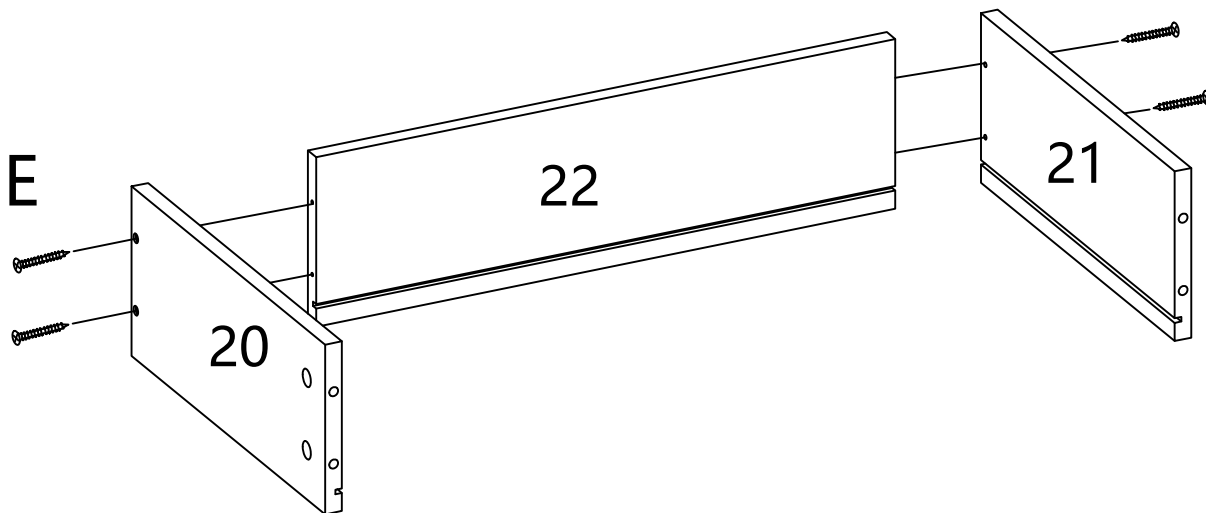


- O X10
- B X9
- A2 X10

STEP 22



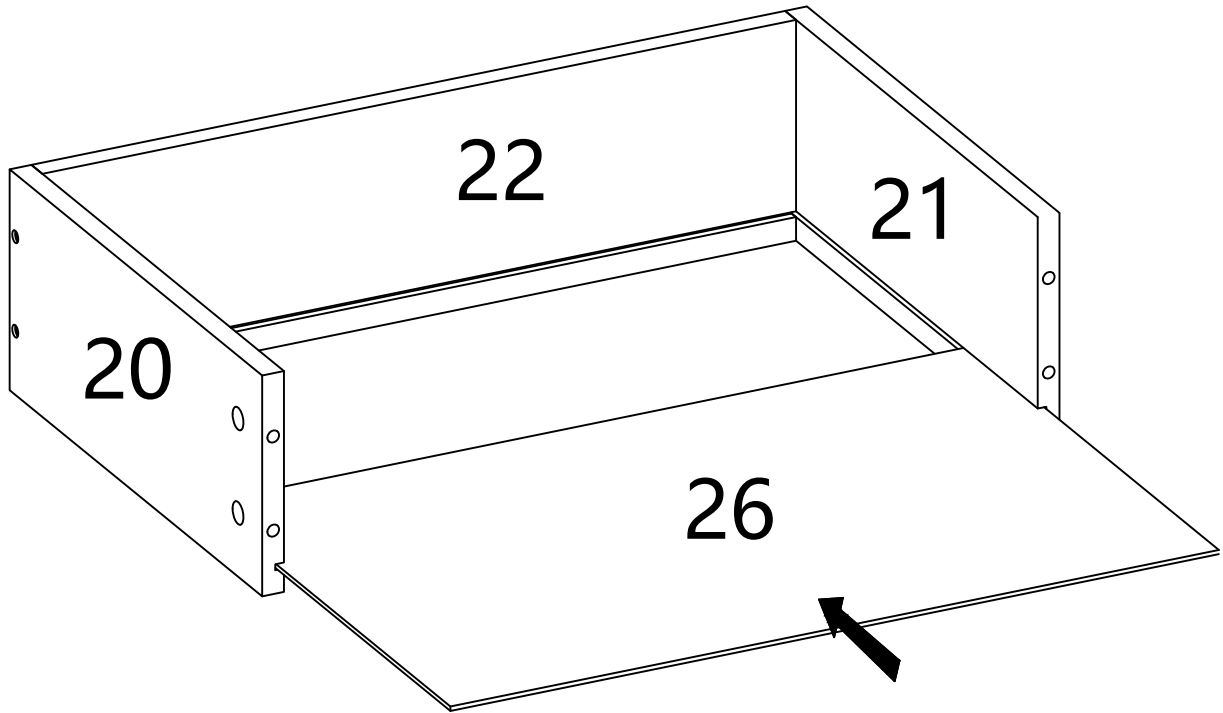
X2



- A1 X8
- E X8

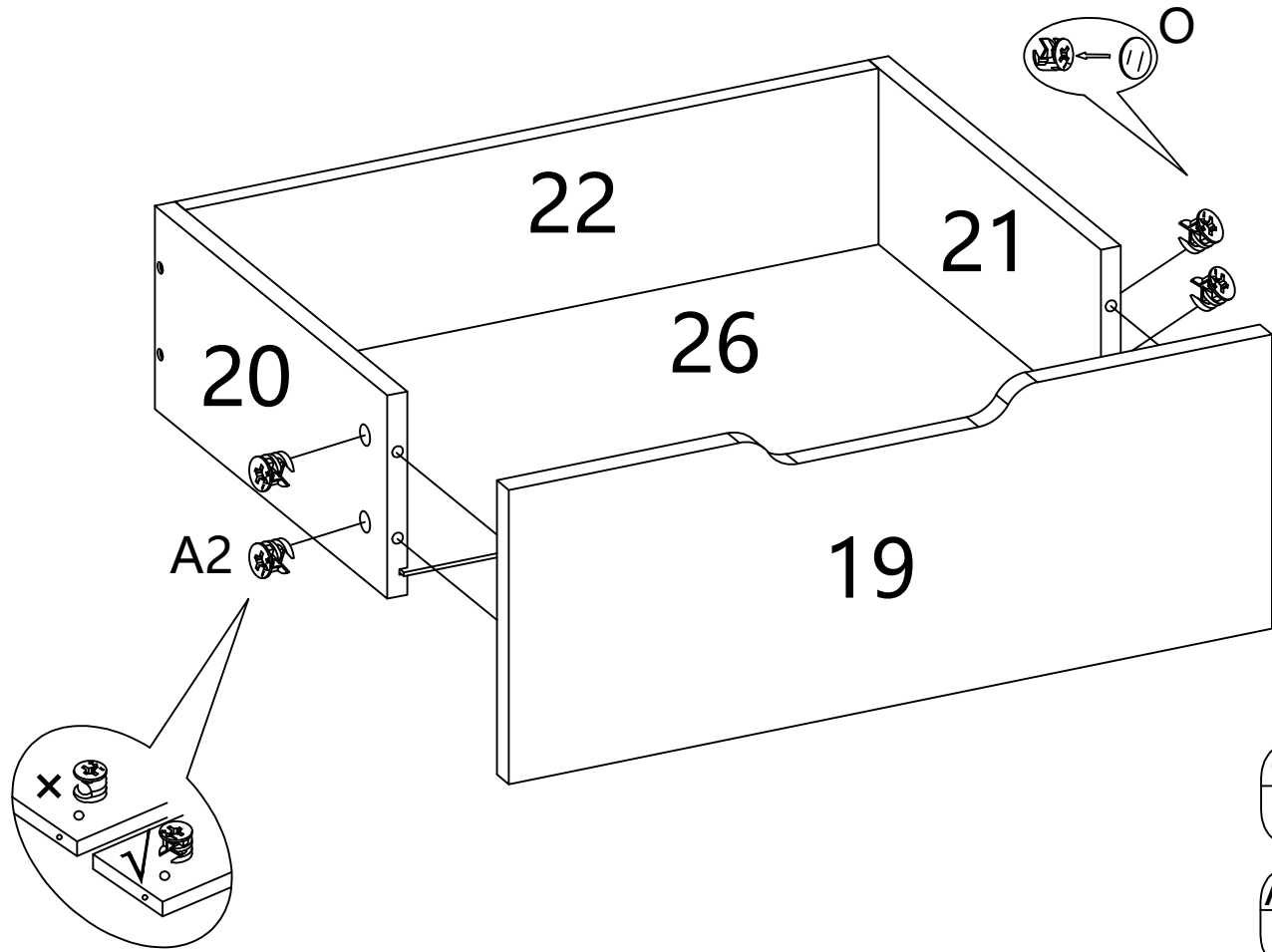
STEP 23

X2



STEP 24

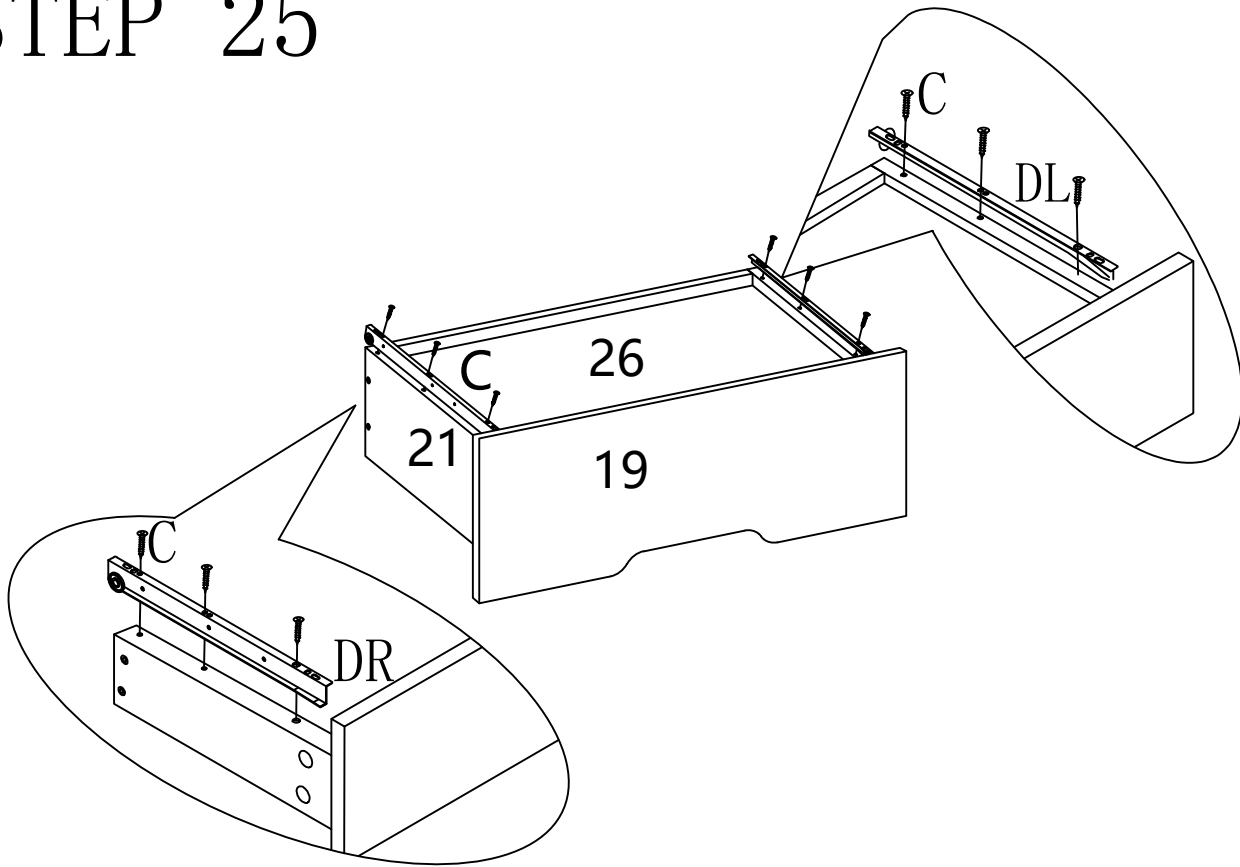
X2



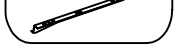
O	X8
⊓	
A2	X8

STEP 25

X2



DR X2



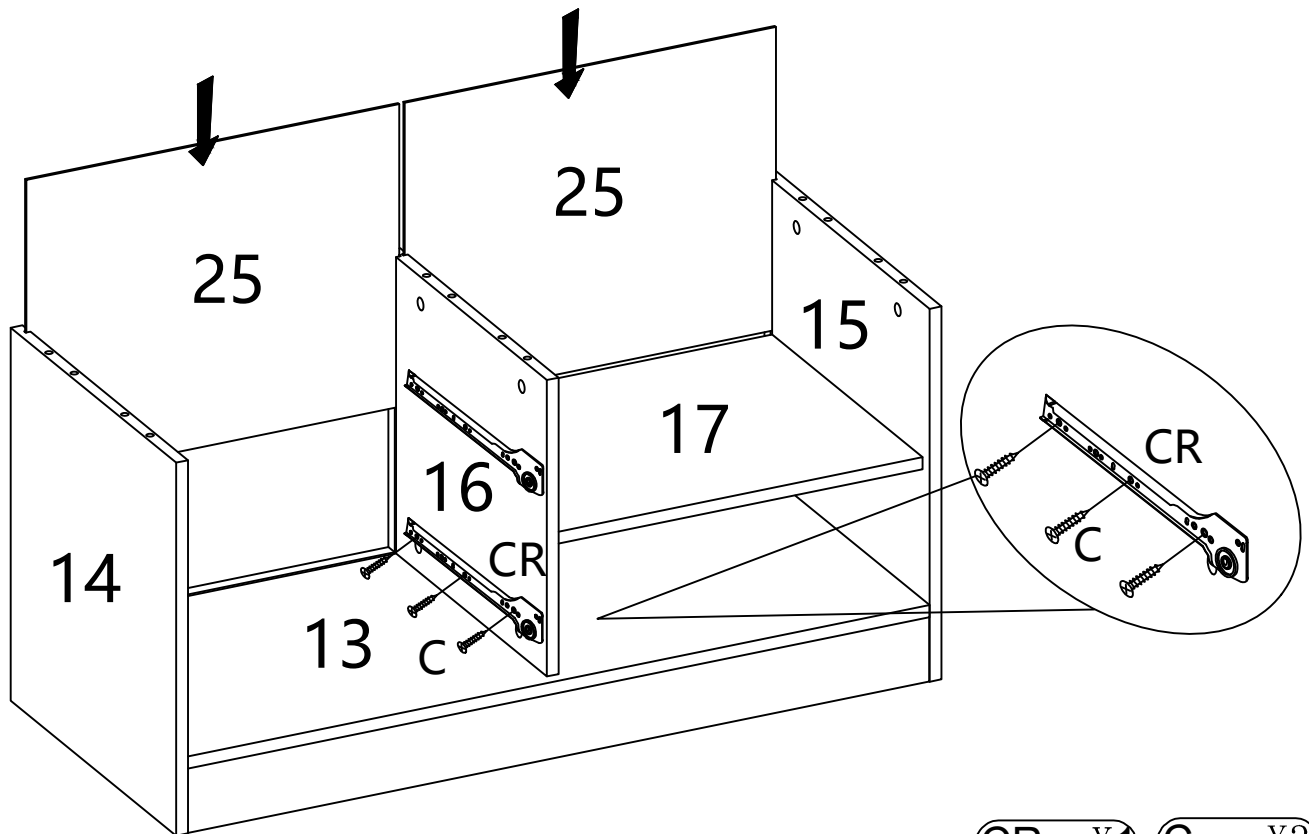
DL X2



C X12



STEP 26



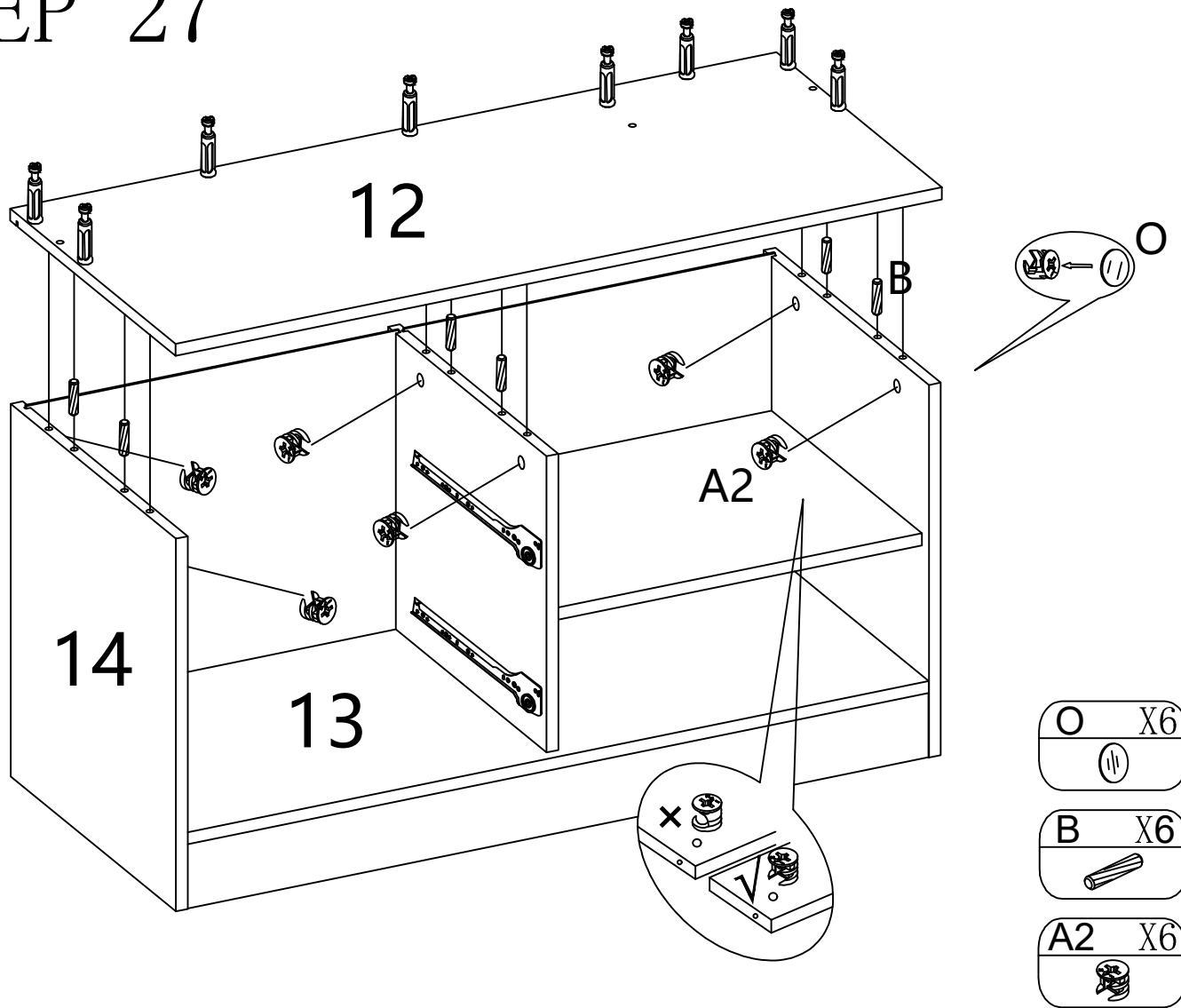
CR X1



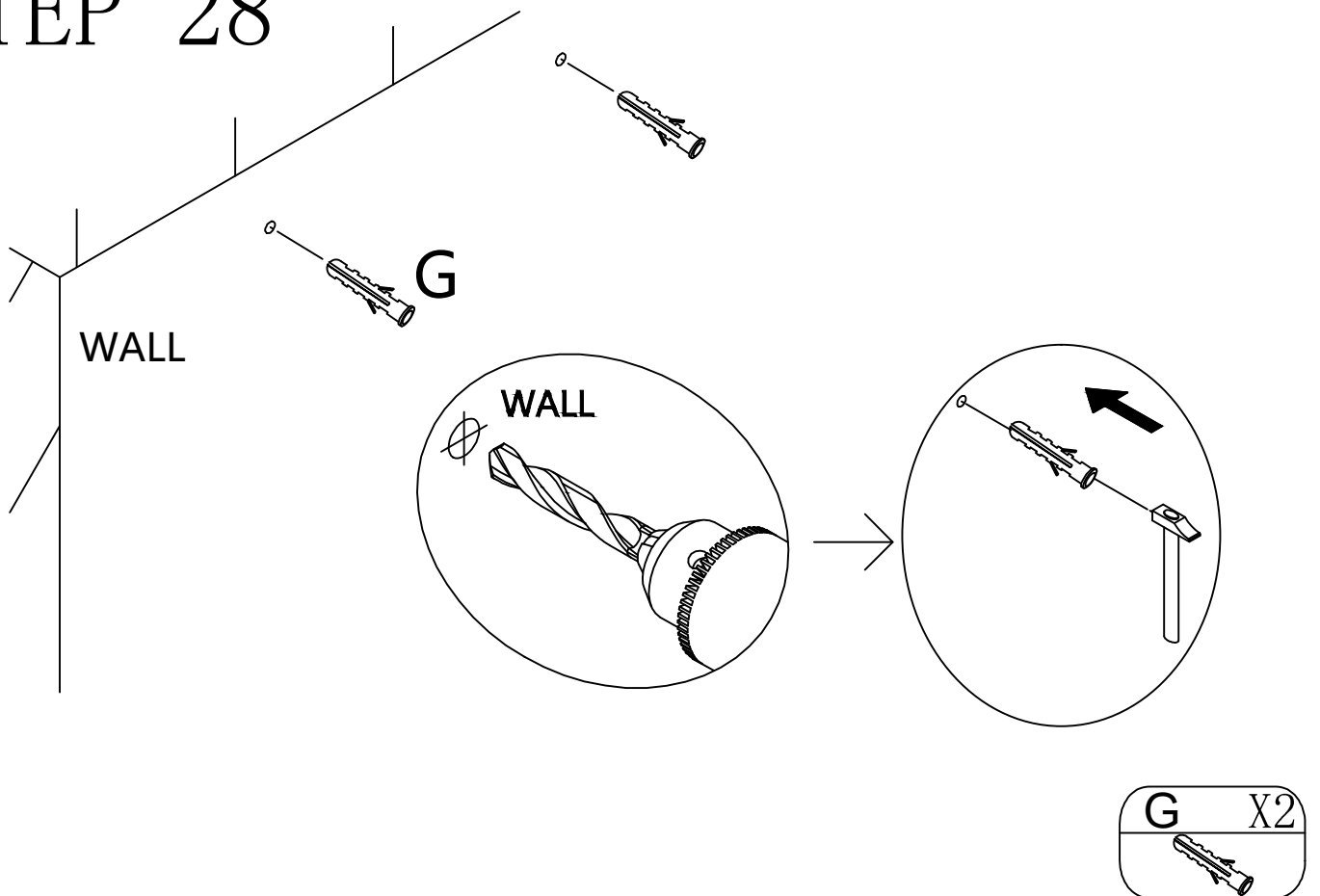
C X3



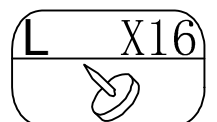
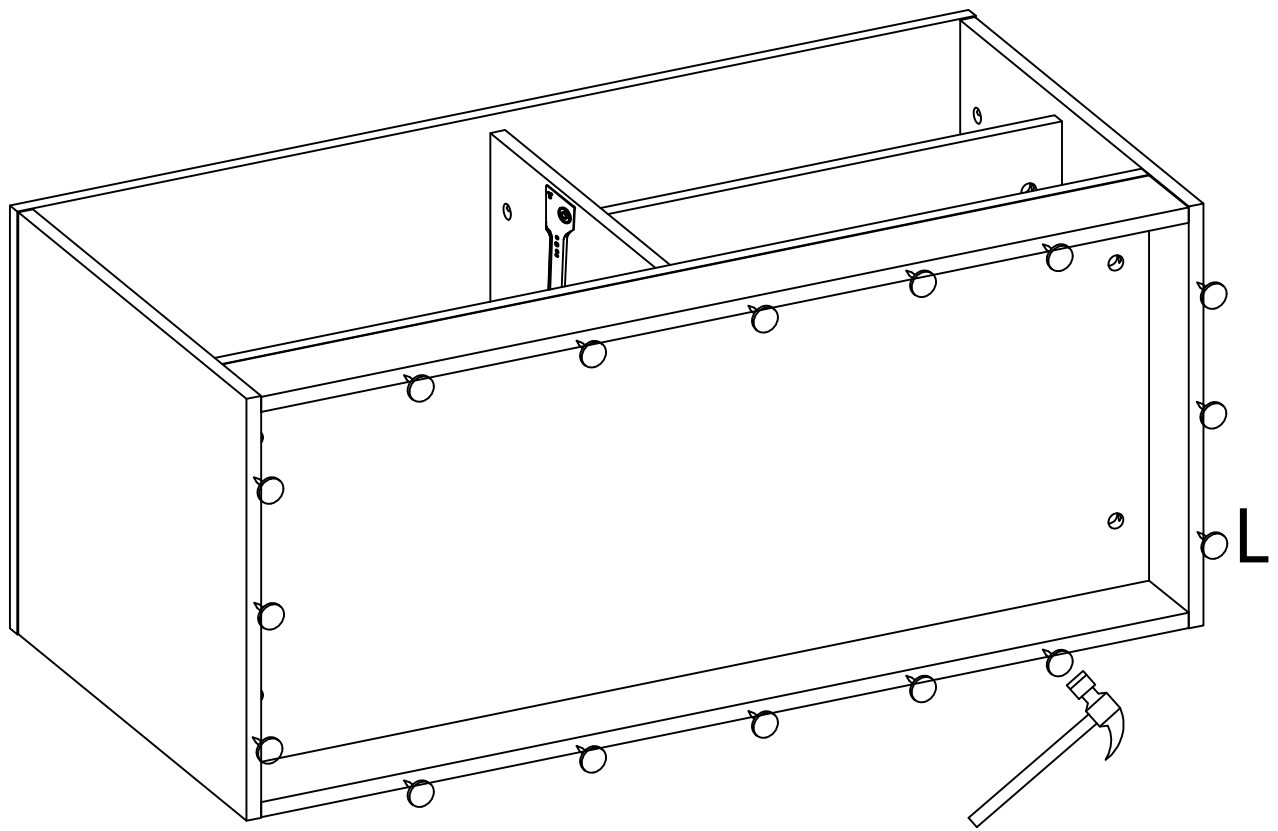
STEP 27



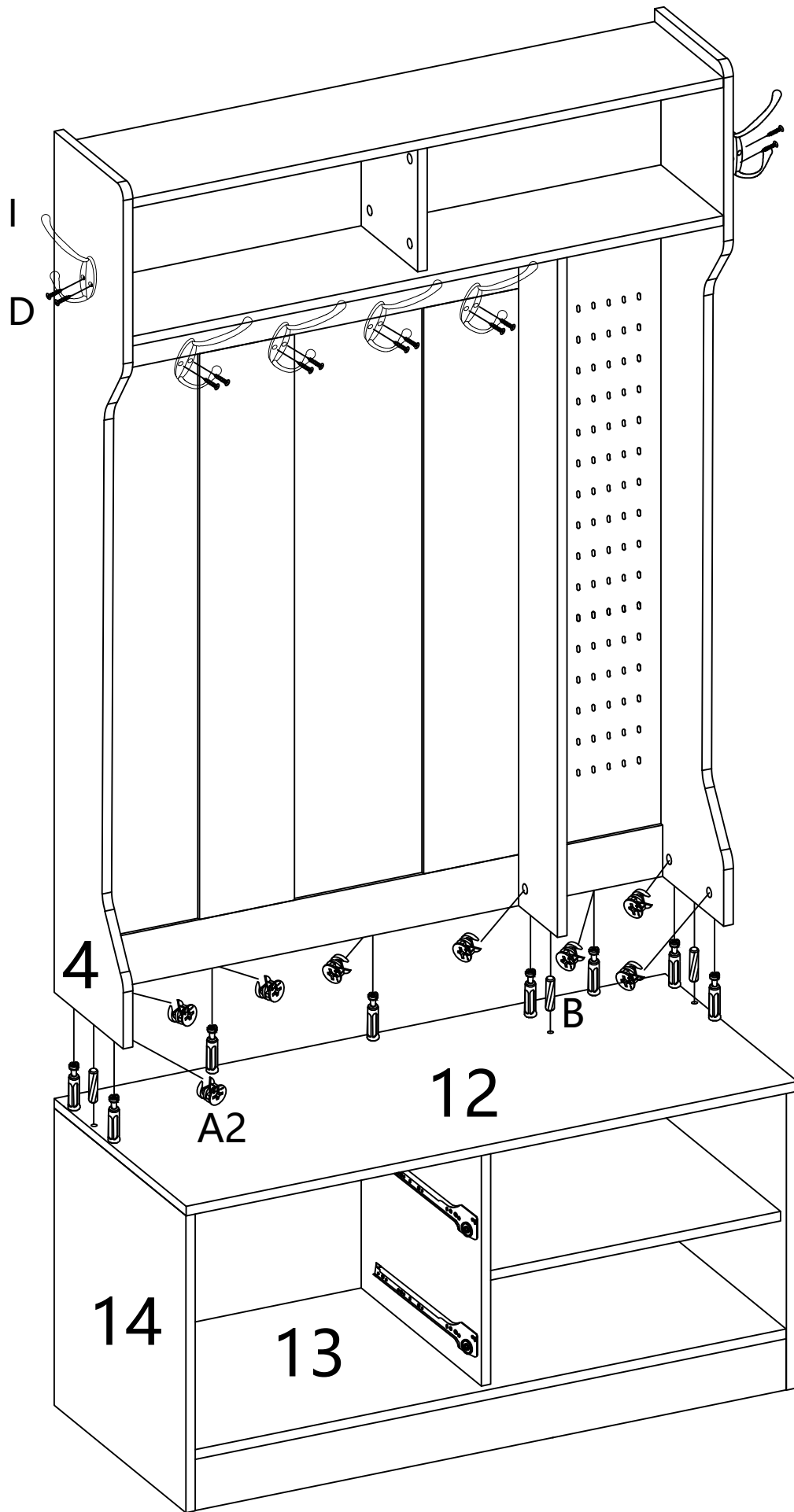
STEP 28








STEP 29

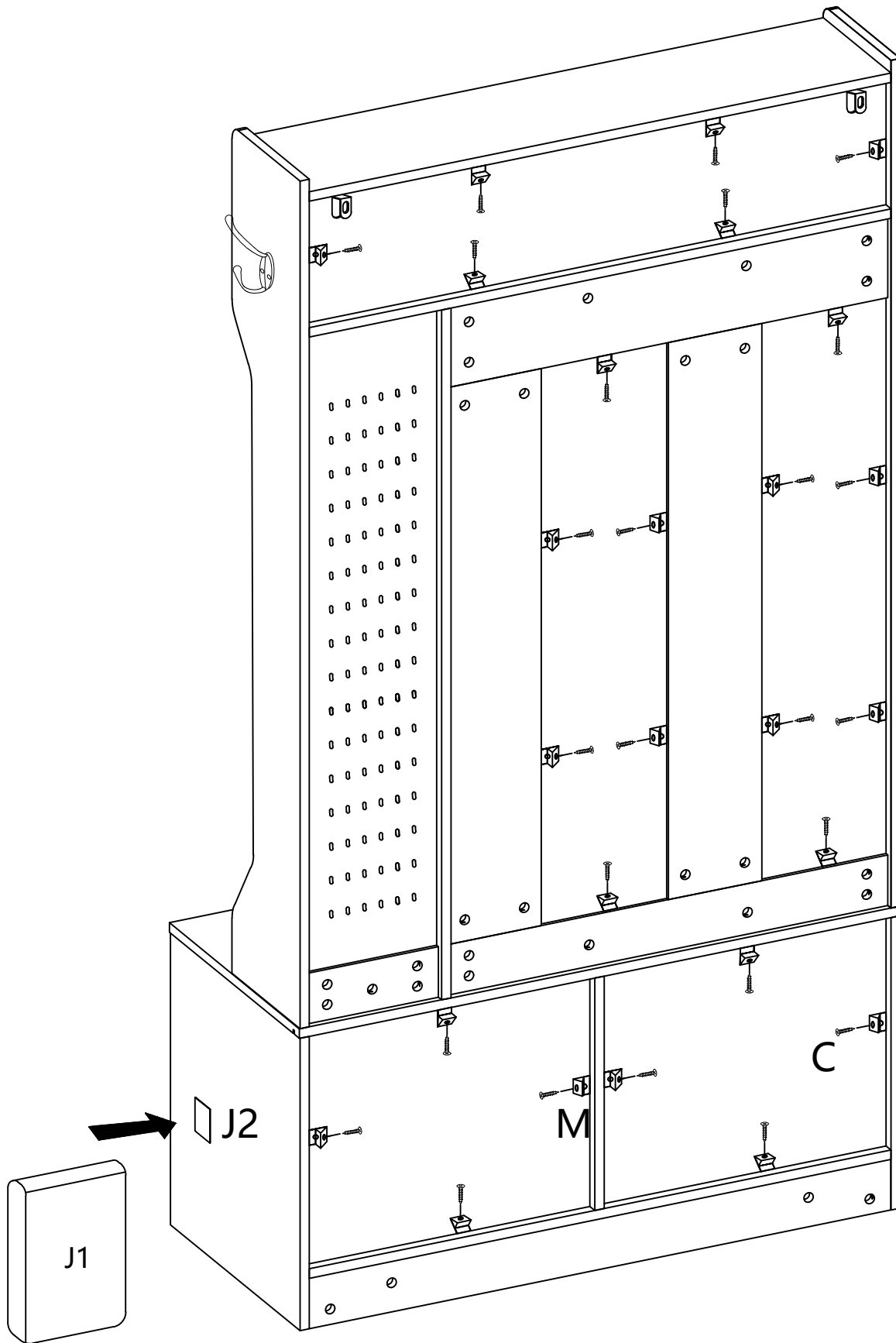


STEP 30



- I X6 
- D X12 
- O X8 
- B X3 
- A2 X8 

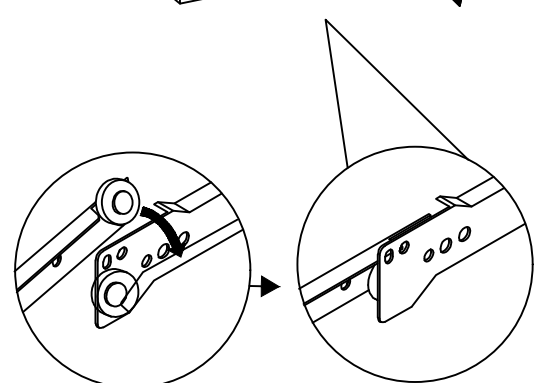
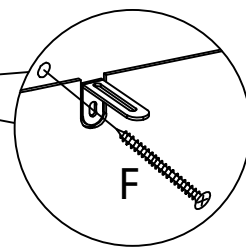
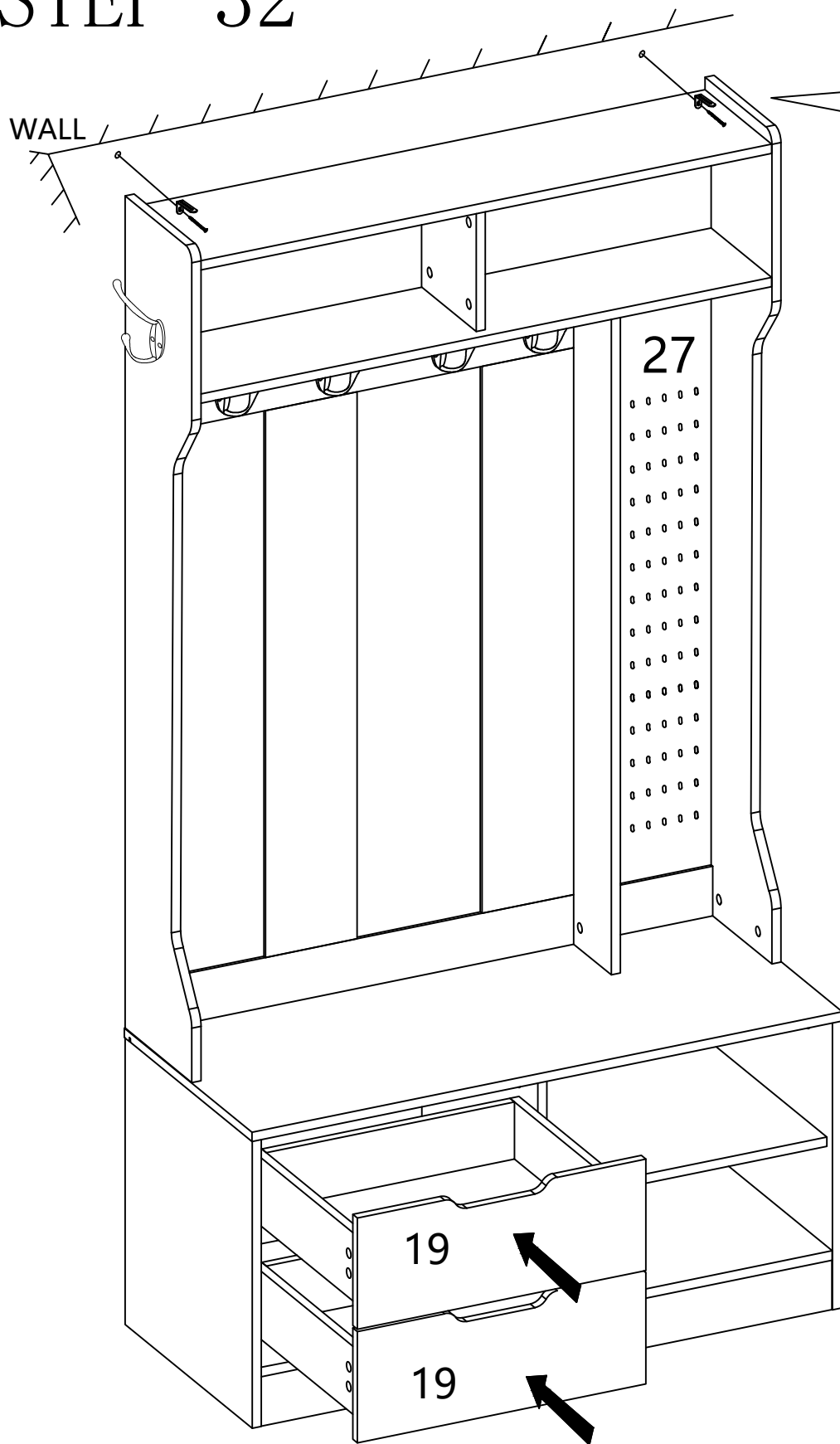
STEP 31

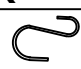
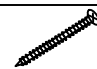


J2 The white side needs to be peeled
J1 and J2 suck together

- | | |
|---|-----|
| J | X1 |
| M | X26 |
| C | X26 |

STEP 32



- | | |
|---|----|
| K | X5 |
|  | |
| F | X2 |
|  | |