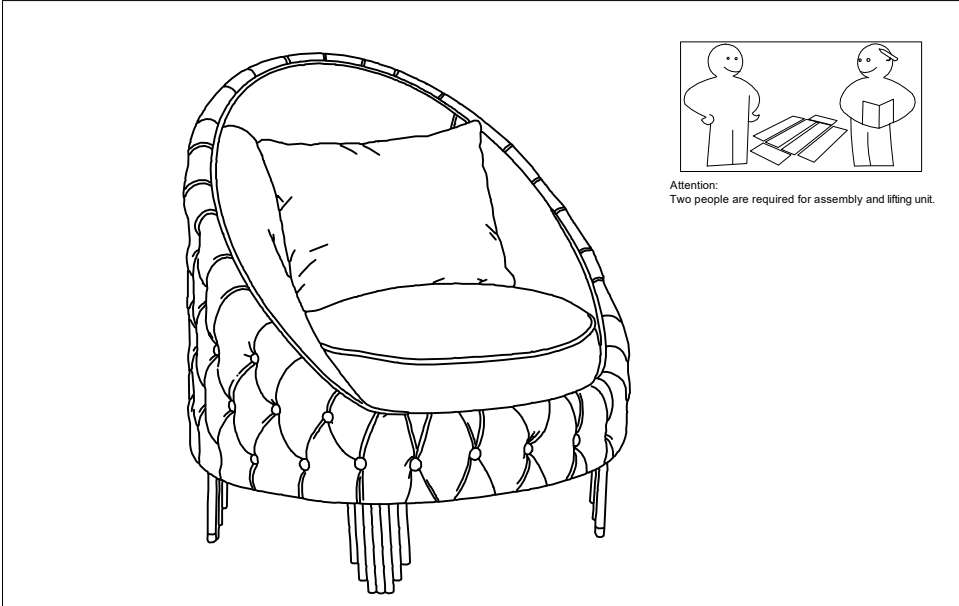
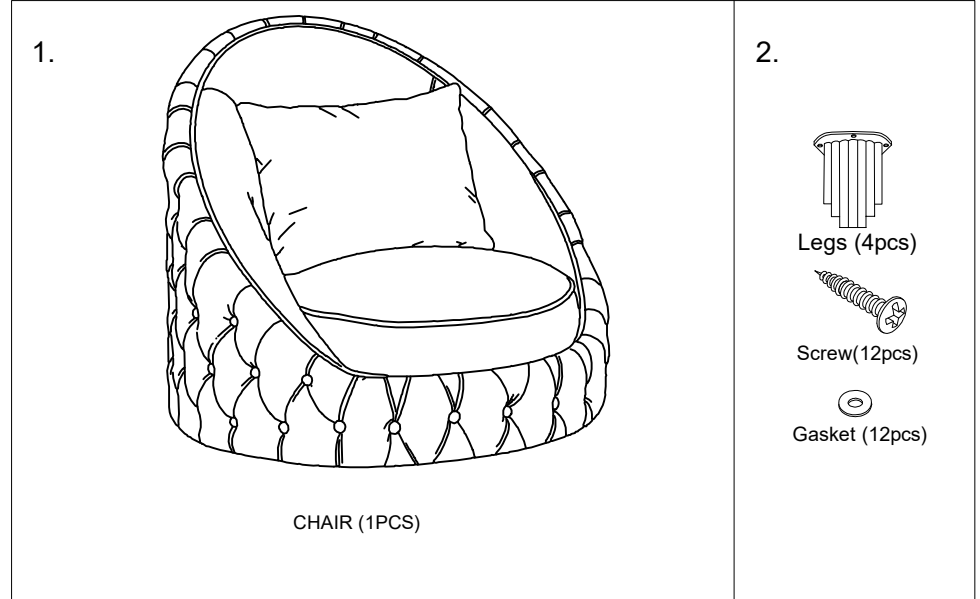


# CHAIR ASSEMBLY INSTRUCTION

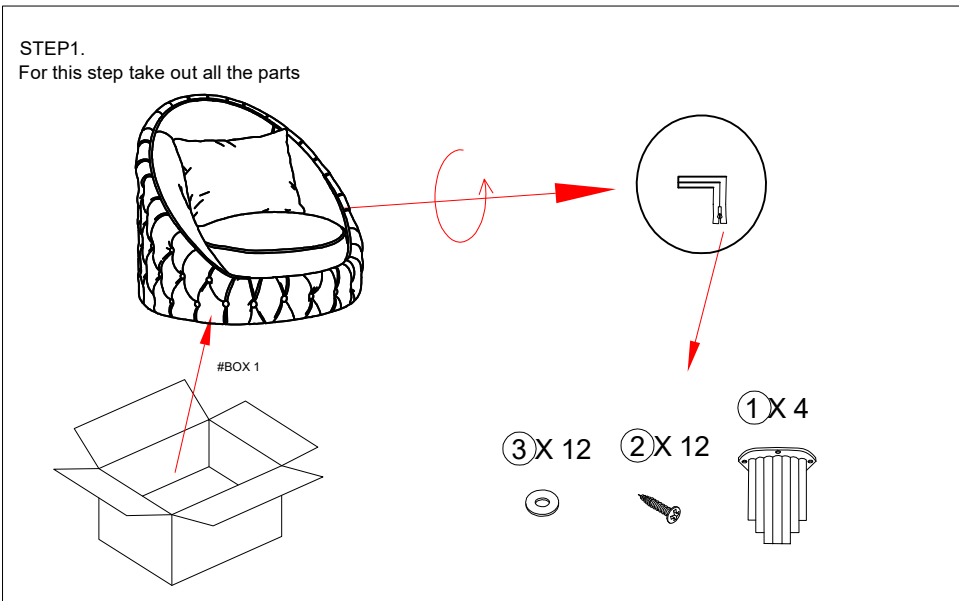
## ASSEMBLY INSTRUCTION



## ASSEMBLY PART



## ASSEMBLY INSTRUCTION



## ASSEMBLY INSTRUCTION

