



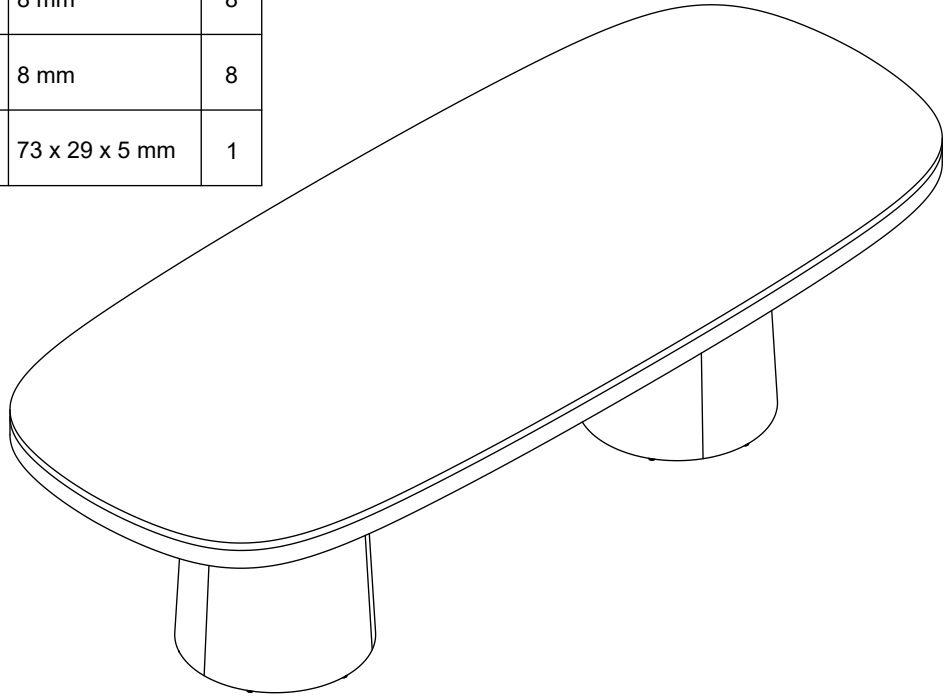


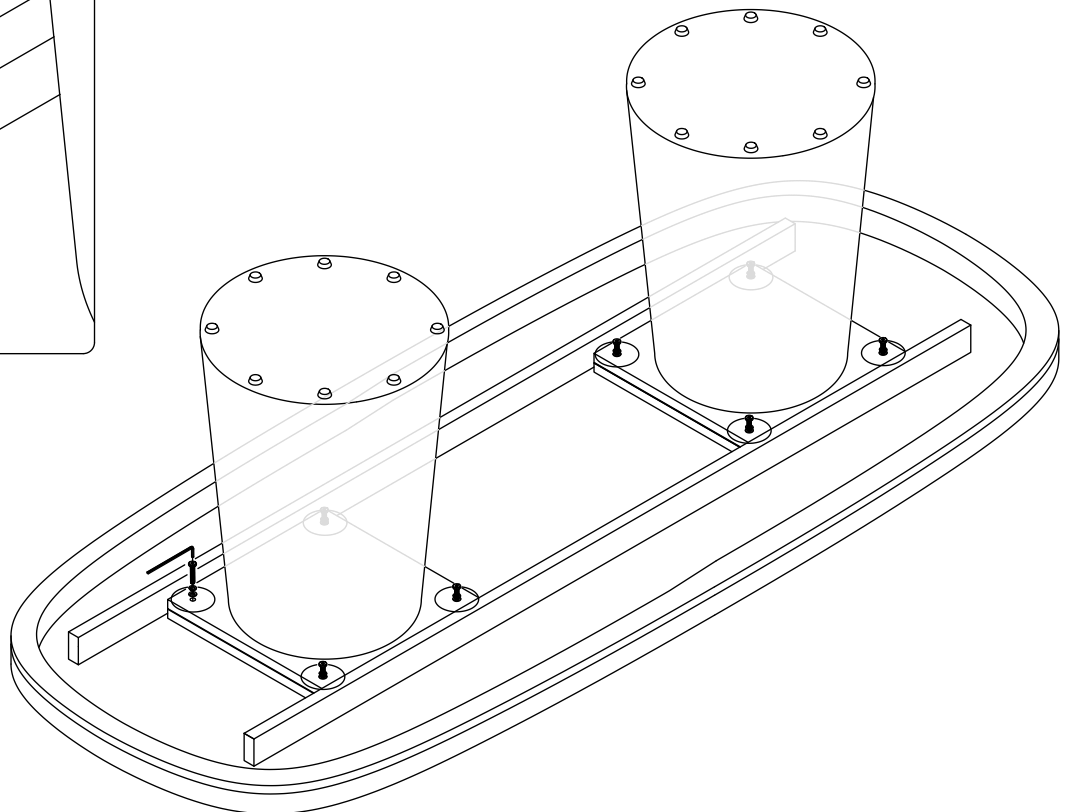
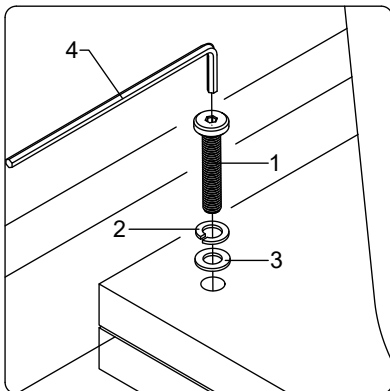
DOUBLE ROUND DOUBLE PEDESTAL DINING TABLE 108"

ASSEMBLY INSTRUCTIONS

HARDWARE LIST				
1		Bolts	8 x 35 mm	8
2		Lock Washer	8 mm	8
3		Flat Washer	8 mm	8
4		Allen Wrench	73 x 29 x 5 mm	1



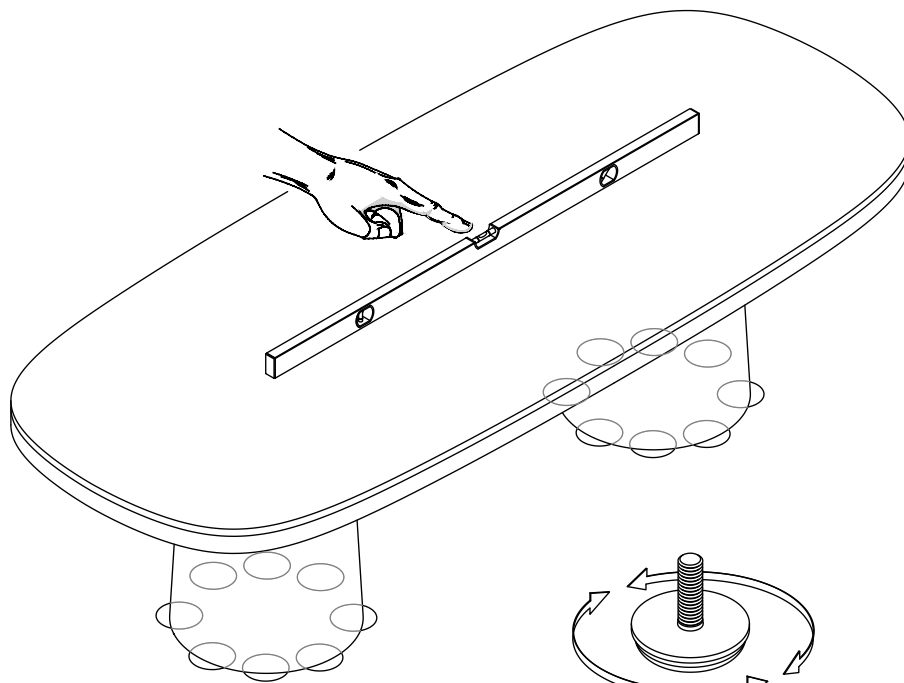
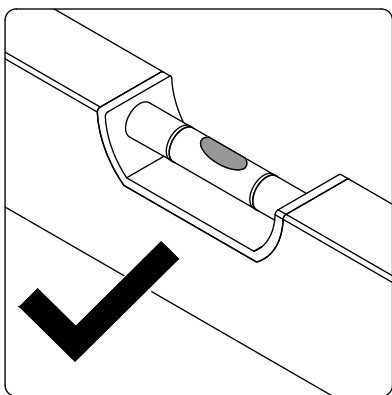
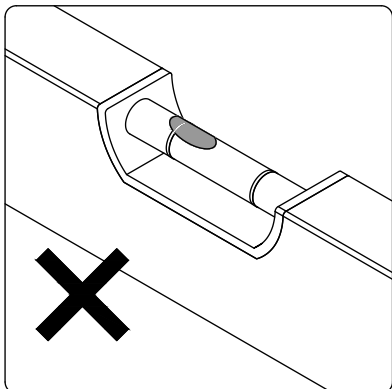
STEP: 2



DOUBLE ROUND DOUBLE PEDESTAL DINING TABLE 108"

ASSEMBLY INSTRUCTIONS

STEP: 2



ADJUST THE LEVELERS IF
NEEDED