

QUICK START GUIDE



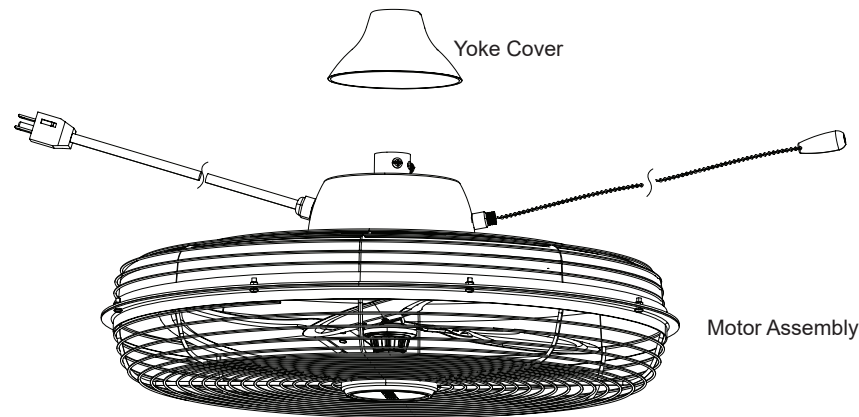
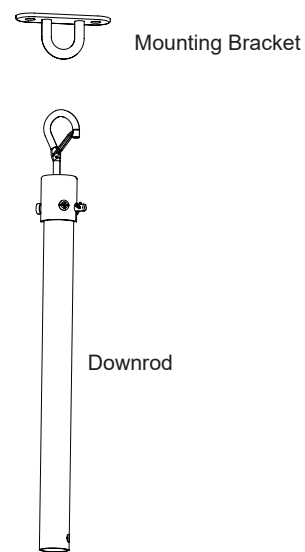
BEFORE YOU BEGIN ASSEMBLING THE SWAG FAN

Read all instructions before you begin assembly. If any parts are missing, please contact Customer Service at 1-877-289-8692, 8 a.m. - 5 p.m. Central Time, Monday - Friday.

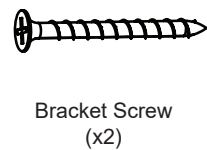
MODEL #52053



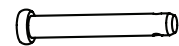
MULEPRODUCTS.COM



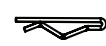
HARDWARE KIT



Bracket Screw (x2)



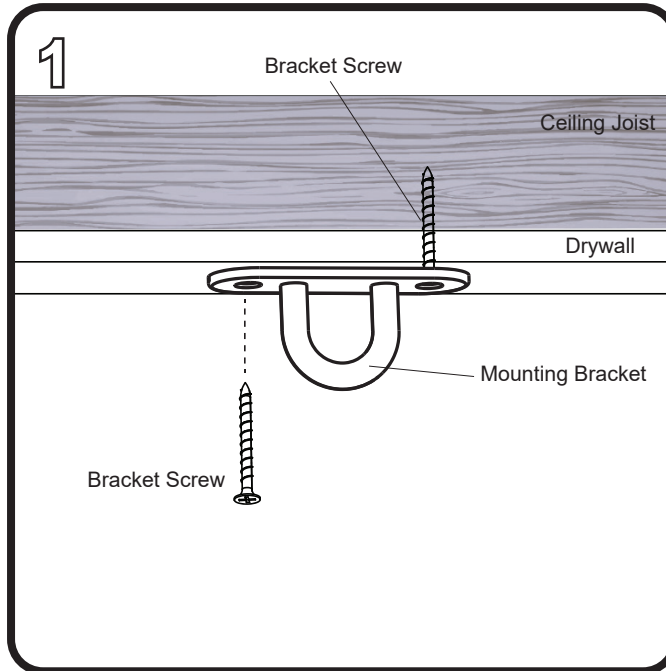
Downrod Pin



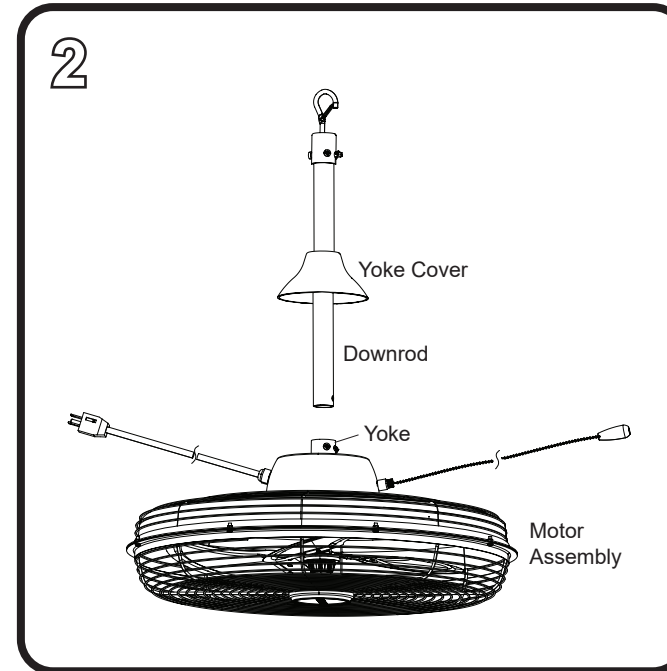
Downrod Clip

TOOLS REQUIRED

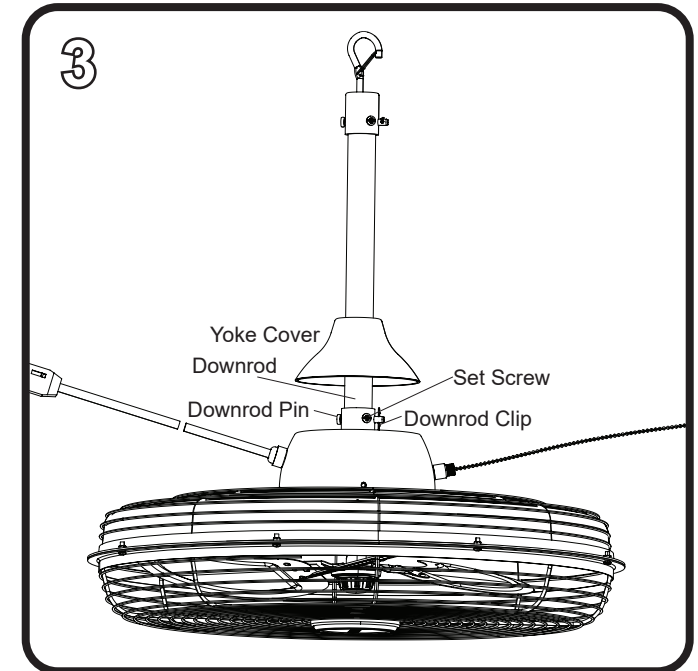
Tools required for assembly: Phillips screwdriver, drill, 15/64" drill bit, stud finder and pencil.



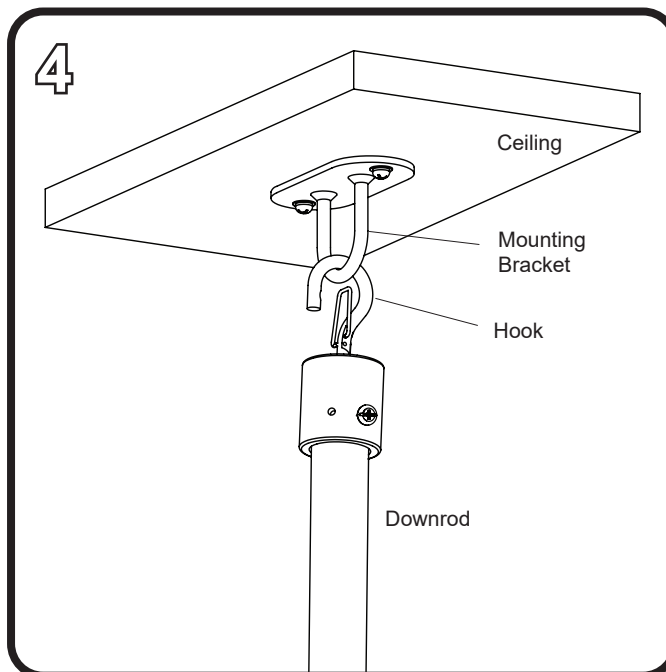
Use a Phillips screwdriver (not included) and the two bracket screws to secure the mounting bracket to a ceiling joist. Note: If necessary, use a stud finder and a drill with 15/64" drill bit to create pilot holes for the bracket screws.



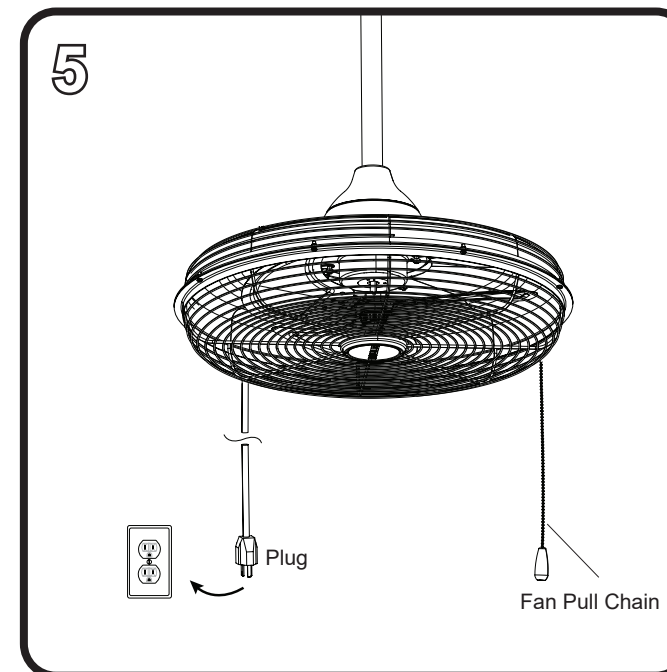
Loosen but do not remove the two set screws in the yoke of the motor assembly. Insert the downrod through the yoke cover and insert the downrod into the yoke.



Align the holes of the downrod with the holes in the yoke. Insert the downrod pin and downrod clip. Tighten the two set screws to secure.



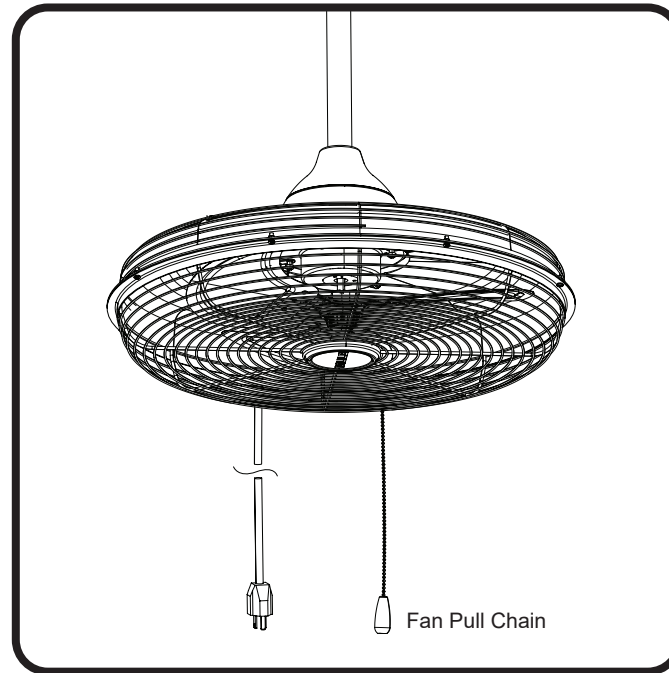
Hang the hook onto the mounting bracket.



Plug the fan's power cord into a 120 V grounded outlet.

OPERATING INSTRUCTIONS

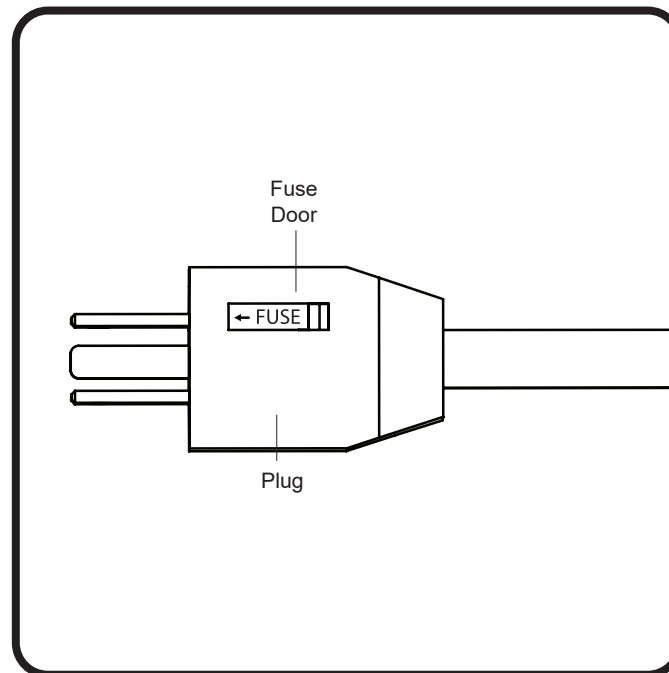
The fan pull chain has four positions to control fan speed. One pull is LOW, two is MEDIUM, three is HIGH and four turns the fan OFF.



MAINTENANCE

The plug is a safety feature, it contains a safety device (fuse), if your replaceable fuse (5 Amp, 125 Volt) blows, please follow below instructions to replace the fuse:

- Unplug your fan, grasp plug and remove from the receptacle or other outlet device. Do not unplug by pulling on cord.
- Slide open the fuse cover at the side of the plug by using your thumb or a flat screwdriver.
- Remove the fuse carefully.
- Put in a new 5 Amp 125 Volt fuse and make sure it is secured in place.
- Slide back the fuse cover completely.
- Risk of fire. Do not replace attached plug. Contains a safety device (fuse) that should not be removed. Discard product if the attached plug is damaged.



TROUBLESHOOTING

Fan does not work. Ensure the main power cord is plugged into a 120V receptacle and use fan pull chain to turn on fan.

SAFETY INFORMATION

Please read and understand this entire manual before attempting to assemble, operate or install the product.

WARNING:

- RATED FOR WET LOCATIONS.** This fan is intended for indoor, damp, or outdoor use.
- To reduce the risk of fire or electrical shock, do not use this fan with any solid state speed control device. This appliance has a 3-prong plug. To reduce the risk of electrical shock, this plug is intended to fit in an outlet only one way. If this does not fit the outlet, contact a qualified electrician. Do not attempt to bypass this procedure.
- Unplug from electrical supply source before cleaning. After servicing, any safety device (including grills and blades) must be reinstalled or remounted as previously installed.
- This fan is suitable for wet location. Suitable for use in wet locations when installed in a GFCI Protected Branch Circuit.
- Do not insert finger or any objects through the grill guard when fan is in operation.
- Disconnect fan when moving from one location to another.
- Disconnect the fan when removing guards for cleaning.
- This product employs overload protection (fuse). A blown fuse indicates an overload or short-circuit situation. If the fuse blows, unplug the product from the outlet. Replace the fuse as per the user servicing instructions (follow product marking for proper fuse rating) and check the product. If the replacement fuse blows, a short-circuit may be present and the product should be discarded or returned to an authorized service facility for examination and/or repair.
- Do not operate any fan with a damaged cord or plug. Discard fan or return to an authorized service facility for examination and/or repair.
- Do not run cord under carpeting. Do not cover cord with throw rugs, runners, or similar coverings. Do not route cord under furniture or appliances. Arrange cord away from traffic area and where it will not be tripped over.
- To Reduce The Risk Of Fire, Electric Shock Or Injury To Persons, Do Not Use Replacement Parts That Have Not Been Recommended By The Manufacturer (e.g. Parts Made At Home Using A 3D Printer).







WARRANTY

The manufacturer warrants all of its utility fans against defects in materials and workmanship for one (1) year from the date of purchase. If within this period the product is found to be defective, take a copy of the bill of sale as a proof of purchase and the product in its original carton to the place of purchase. The manufacturer will, at its option, repair, replace or refund the purchase price to the consumer. All costs of installation and removal of the fixture is the responsibility of the consumer. This warranty does not cover utility fans becoming defective due to misuse, accidental damage or improper handling and/or installation and specifically excludes liability for direct, incidental or consequential damages. As some states do not allow exclusions of limitations on an implied warranty, the above exclusion and limitation may not apply. This warranty gives you specific rights and you may also have other rights which may vary from state to state.

CUSTOMER SERVICE

To obtain service, please contact Customer Service: 1-877-289-8692, 8 a.m. - 5 p.m. Central Time, Monday - Friday.

To order additional Mule products, visit MULEPRODUCTS.COM. Follow us on social media at:

-  [FACEBOOK.COM/GETTHEMULE](https://www.facebook.com/GETTHEMULE)
-  [YOUTUBE.COM/@GETTHEMULE](https://www.youtube.com/@GETTHEMULE)
-  [TIKTOK.COM/@GETTHEMULE](https://www.tiktok.com/@GETTHEMULE)
-  [INSTAGRAM.COM/GETTHEMULE](https://www.instagram.com/GETTHEMULE)
-  [TWITTER.COM/GETTHEMULE](https://www.twitter.com/GETTHEMULE)
-  [PINTEREST.COM/GETTHEMULE](https://www.pinterest.com/GETTHEMULE)

