
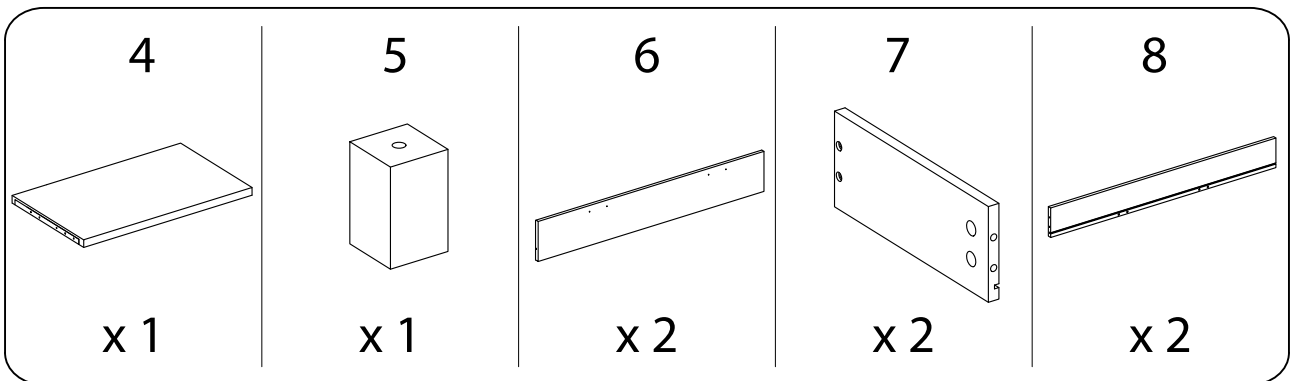
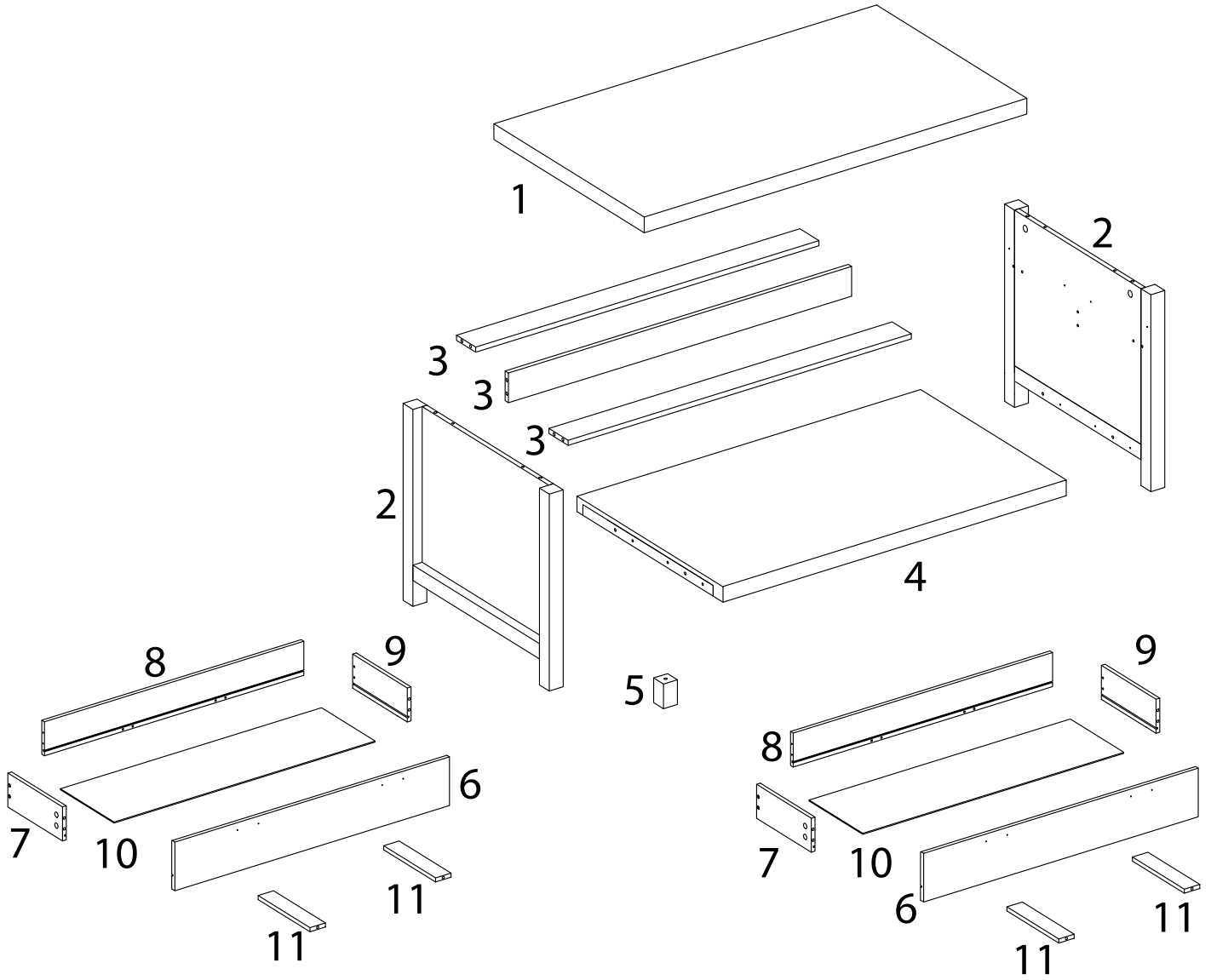
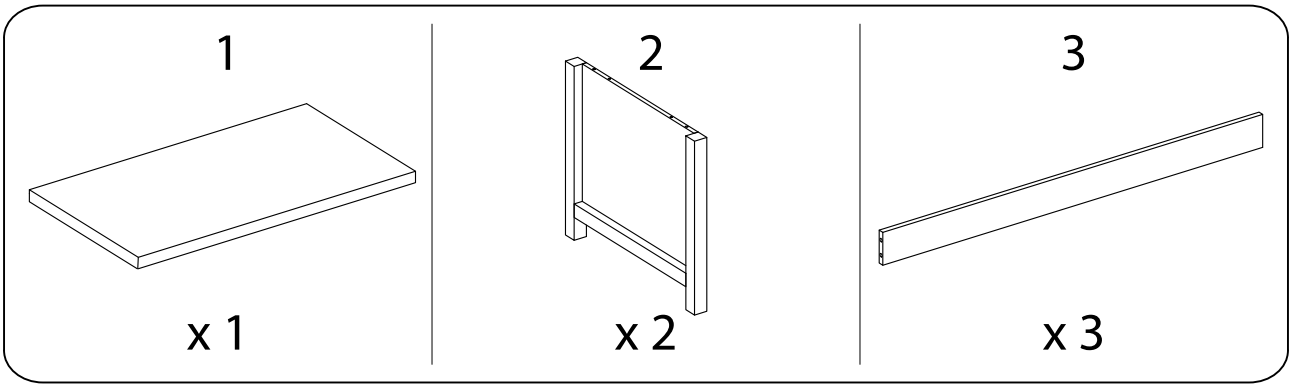
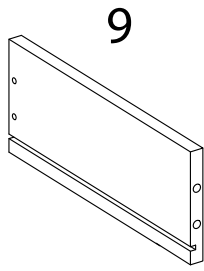
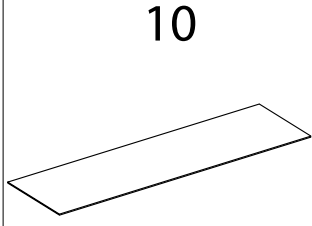
	<p>60'</p>
		
		<p>2</p>





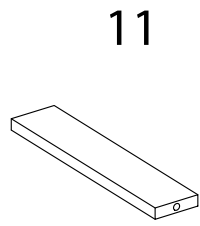
9

x 2



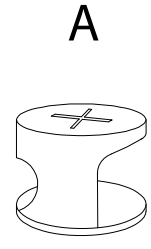
10

x 2



11

x 4



A

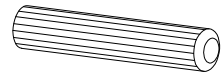
x 28

B



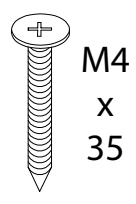
x 28

C



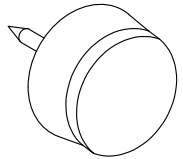
x 8

D



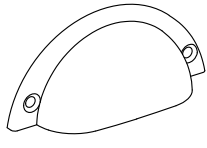
x 16

E



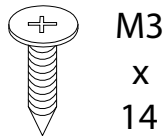
x 5

F



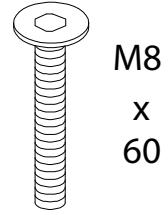
x 4

G



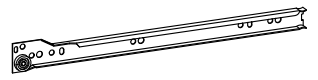
x 8

H



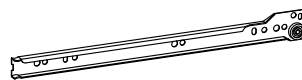
x 8

I



x 2

J



x 2

K



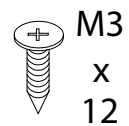
x 2

L



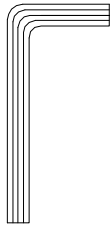
x 2

M



x 24

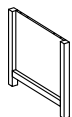
N



x 1

1 x 2

2



x 1

I



x 1

J



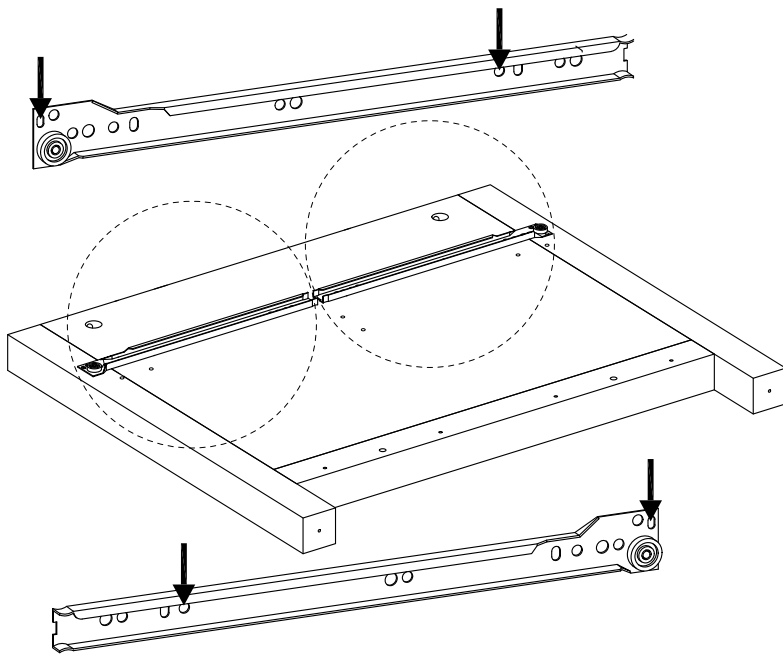
x 1

M

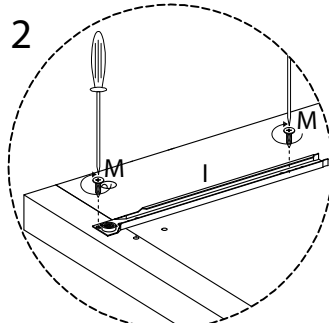


M3
x 12

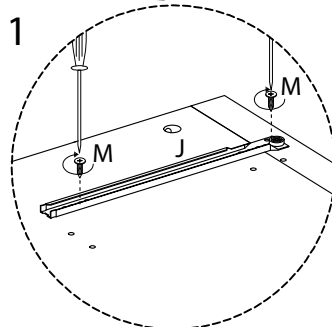
x 4



2



1

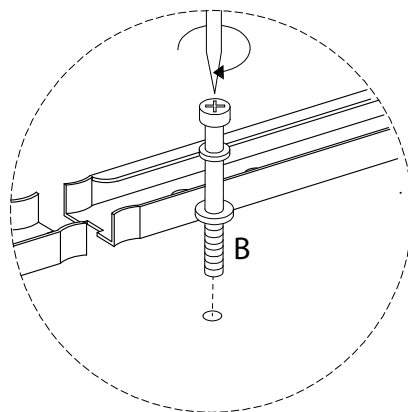
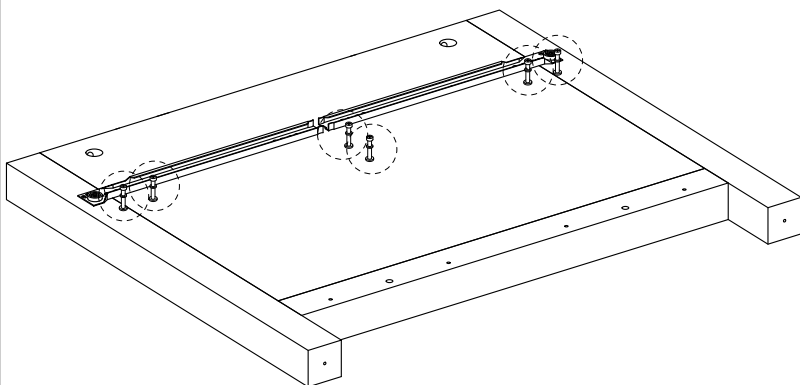


2 x 2

B

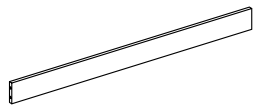


x 6



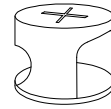
3

3

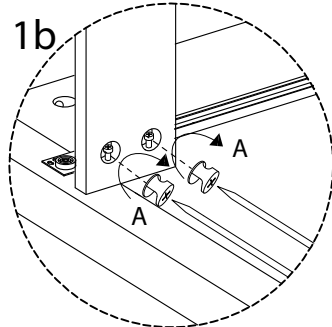
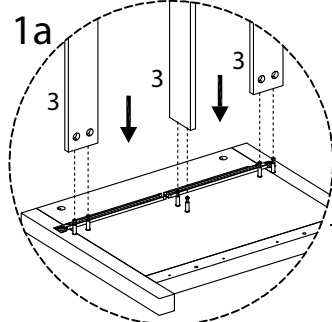
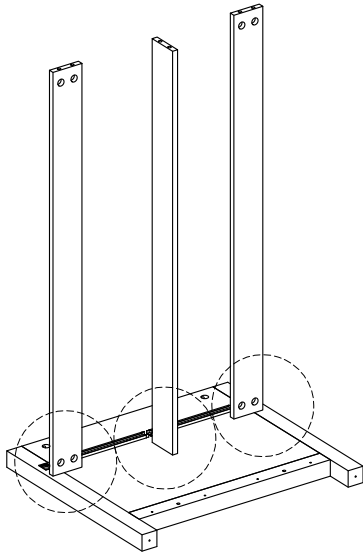


x 1

A

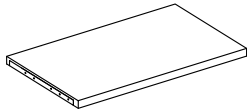


x 6



4

4



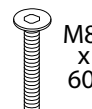
x 1

C



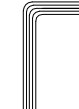
x 2

H

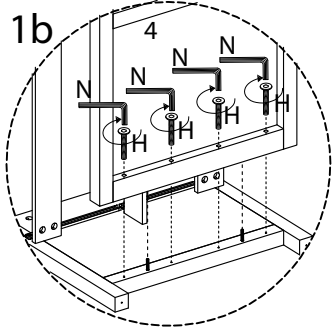
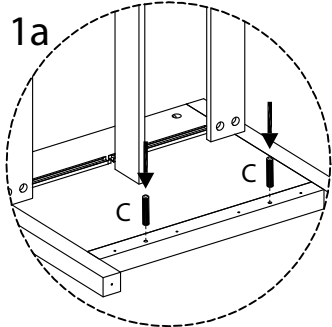
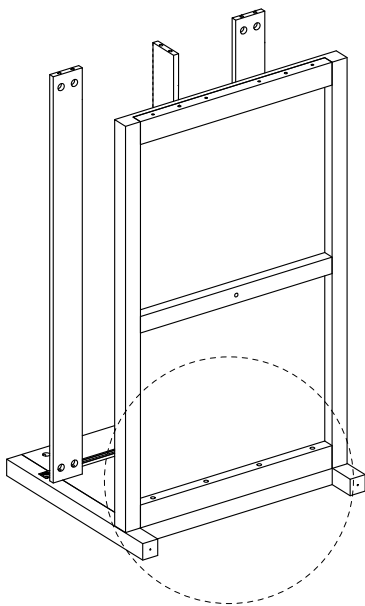


x 4

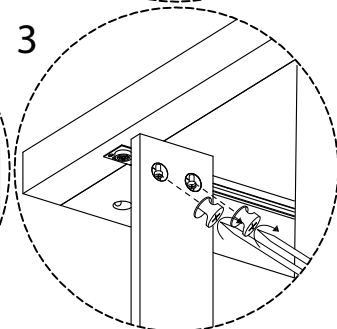
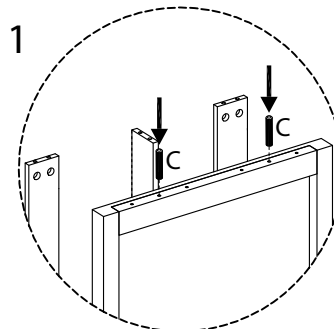
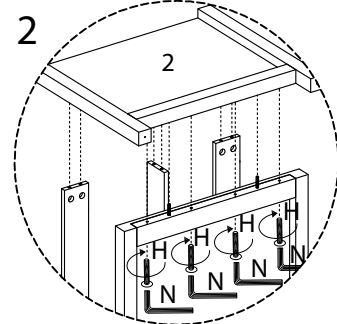
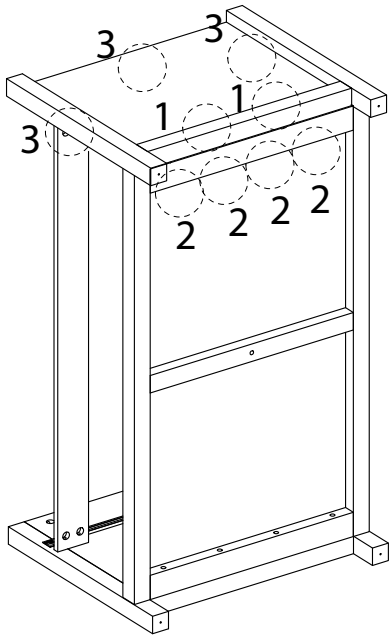
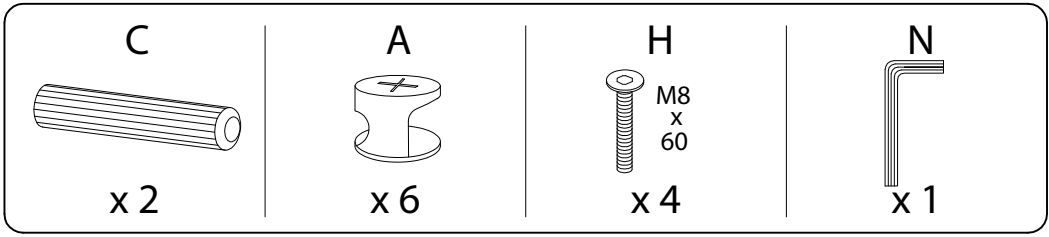
N



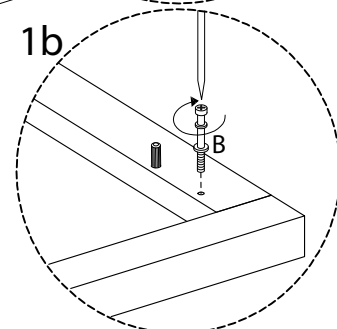
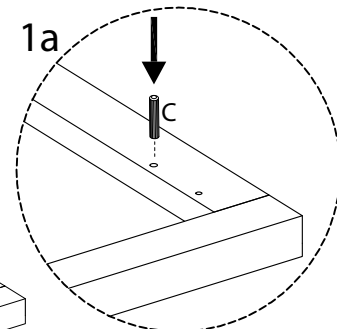
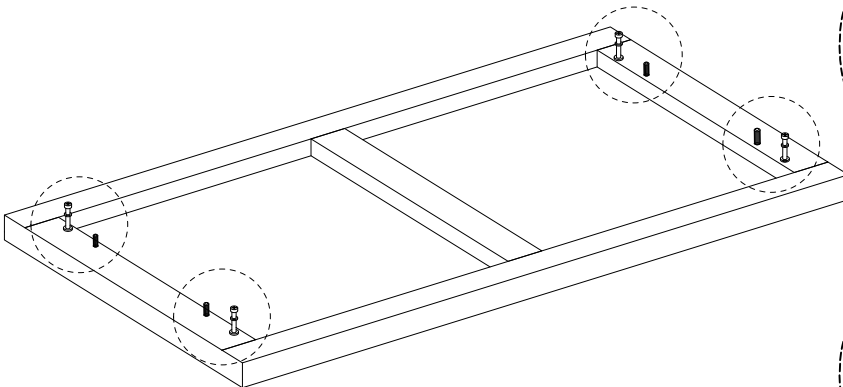
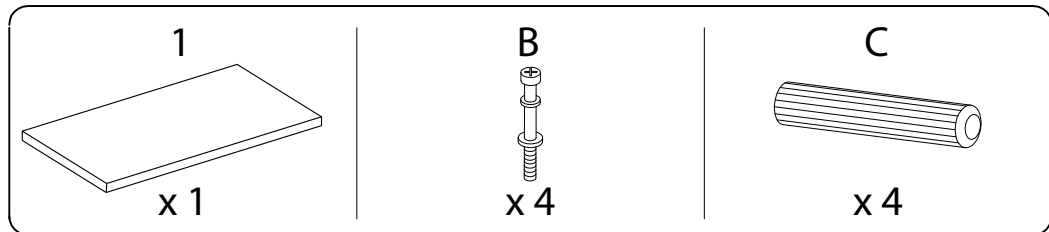
x 1



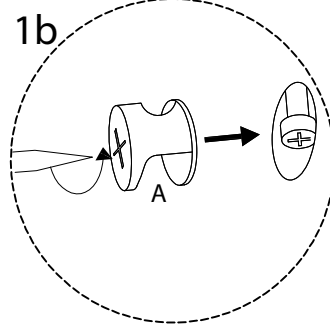
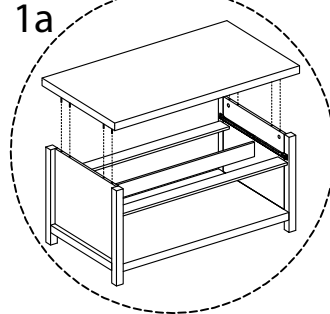
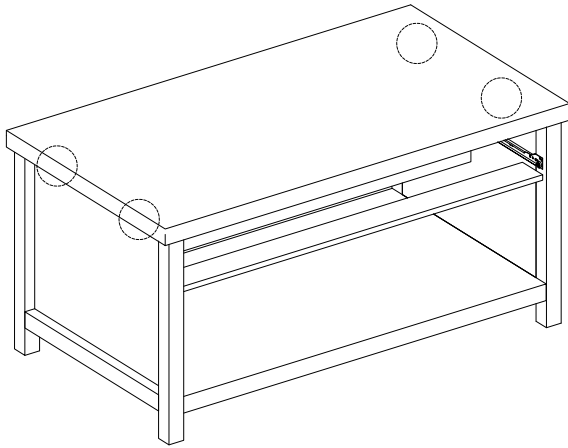
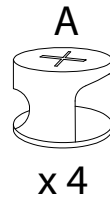
5



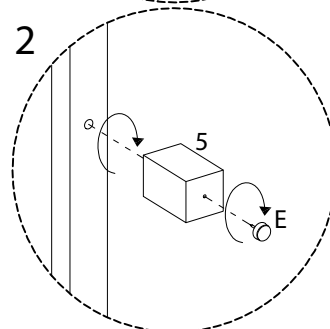
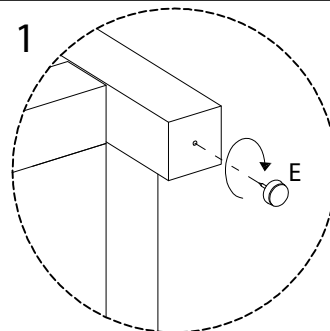
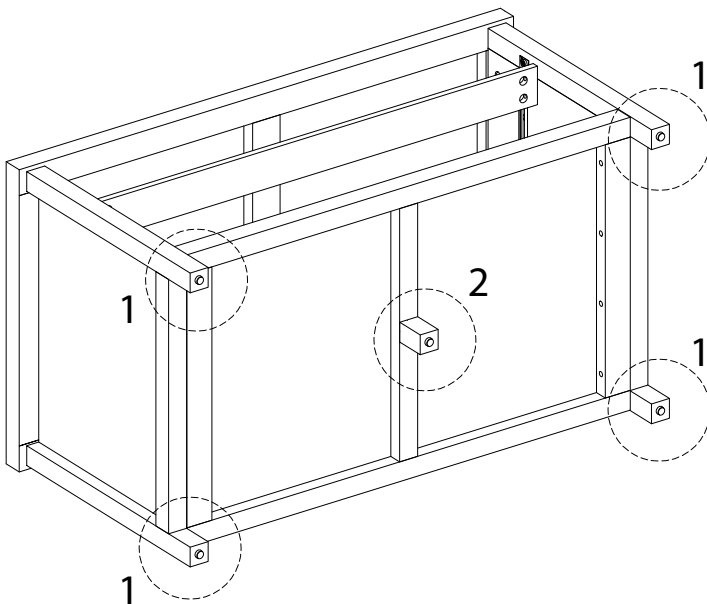
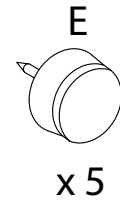
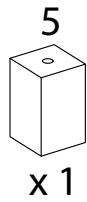
6



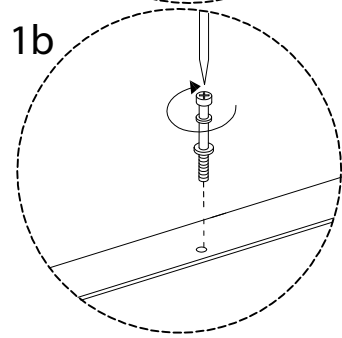
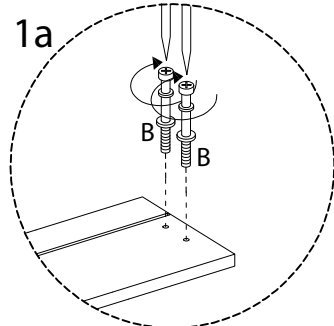
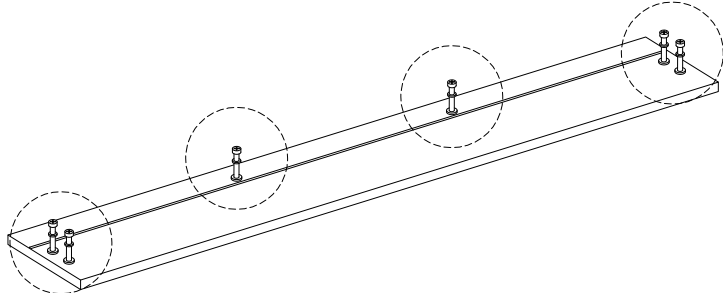
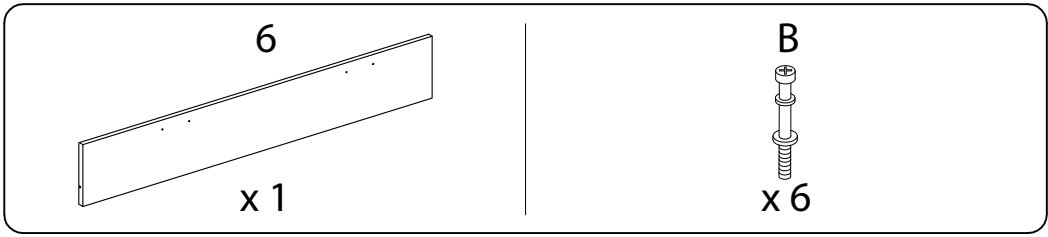
7



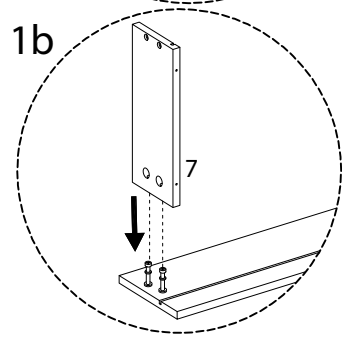
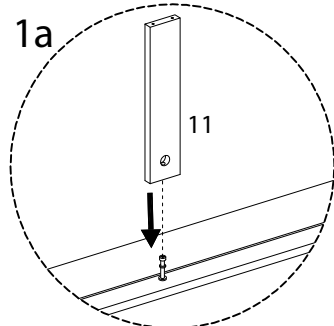
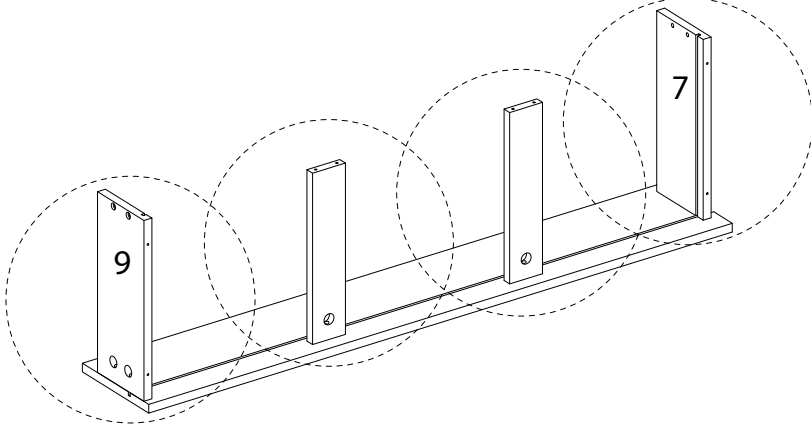
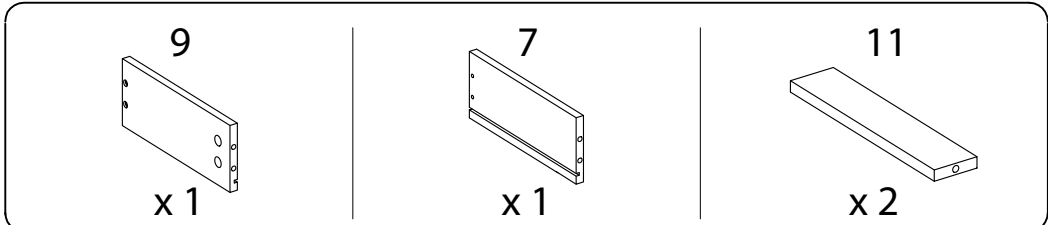
8



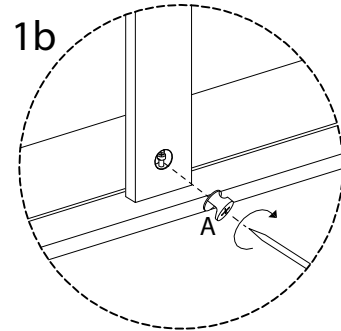
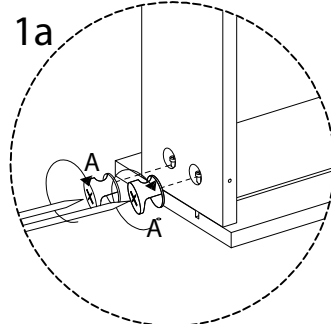
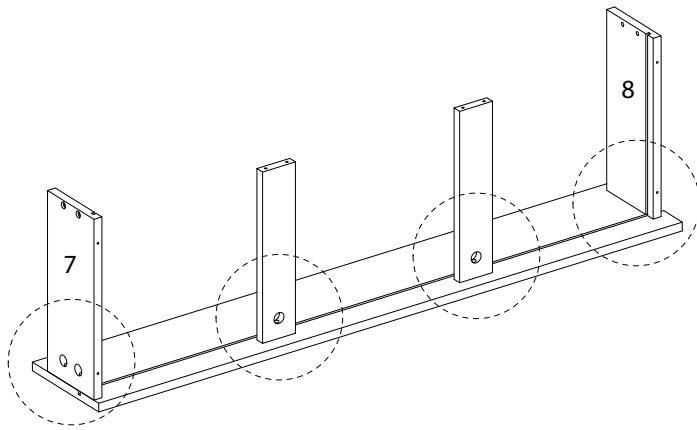
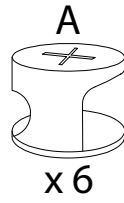
9 x 2



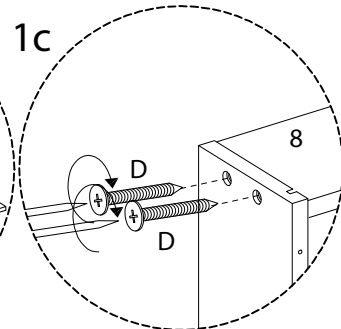
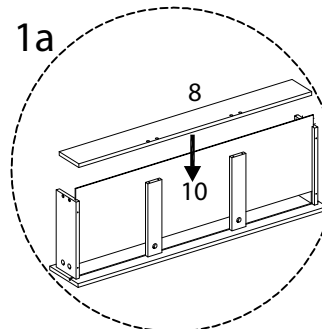
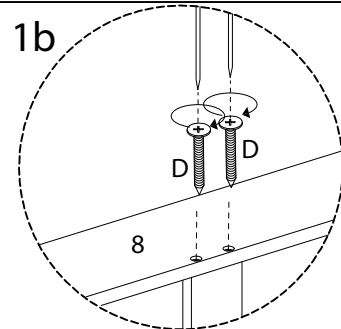
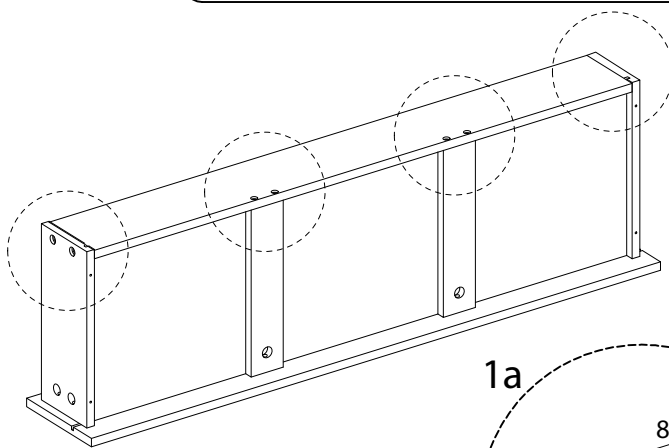
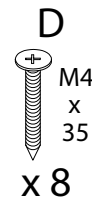
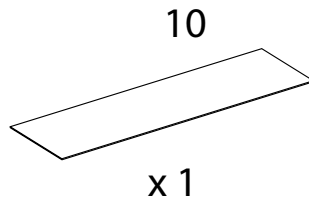
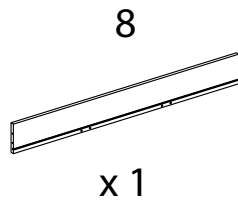
10 x 2



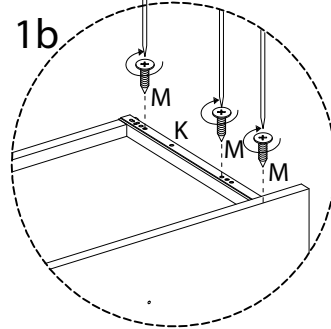
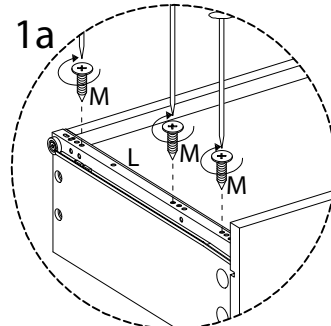
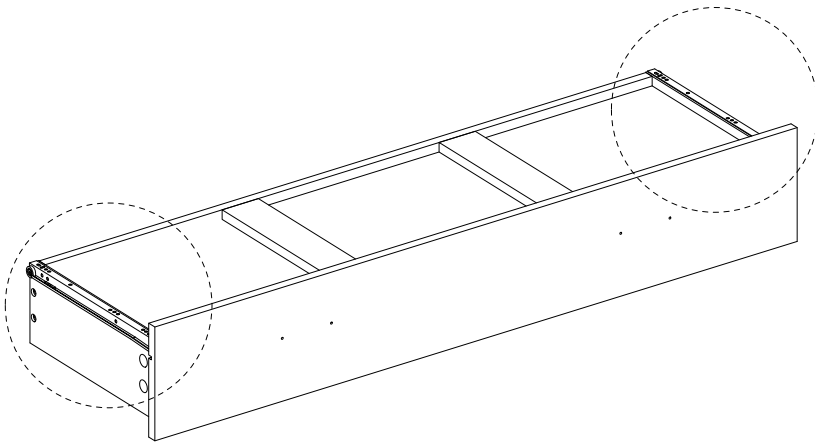
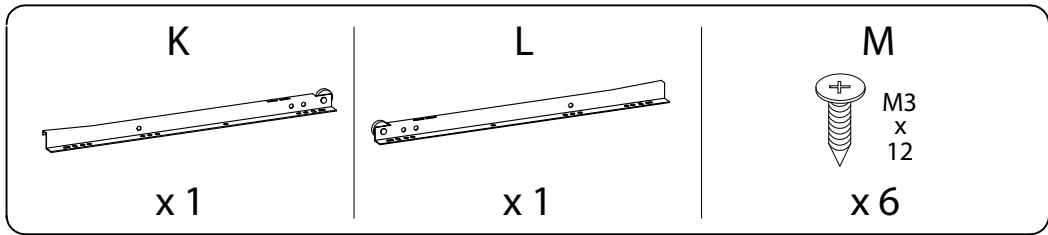
11 x2



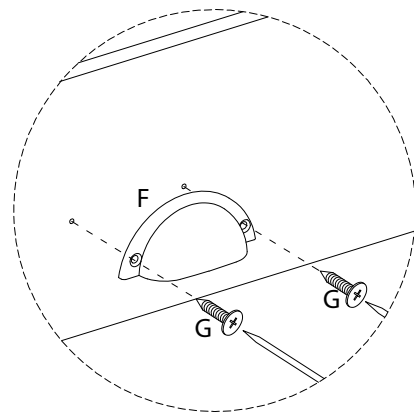
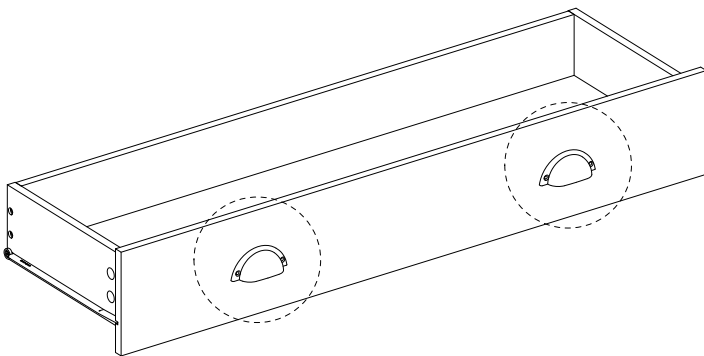
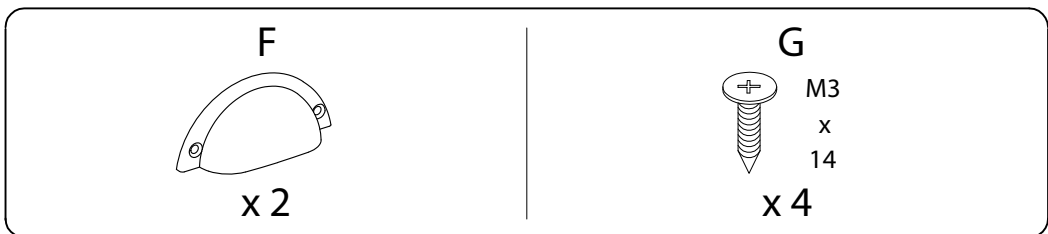
12 x2



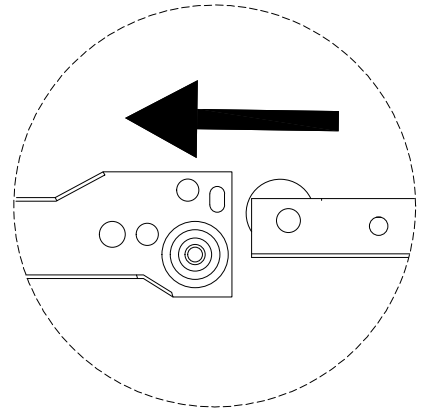
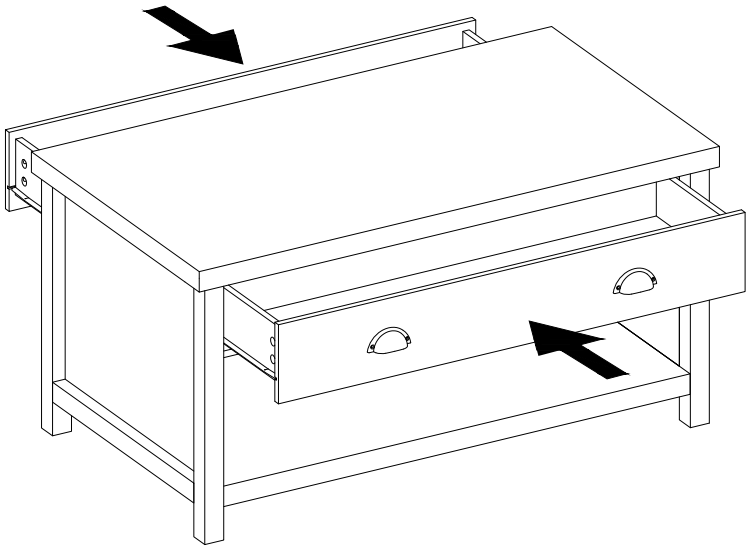
13 x2



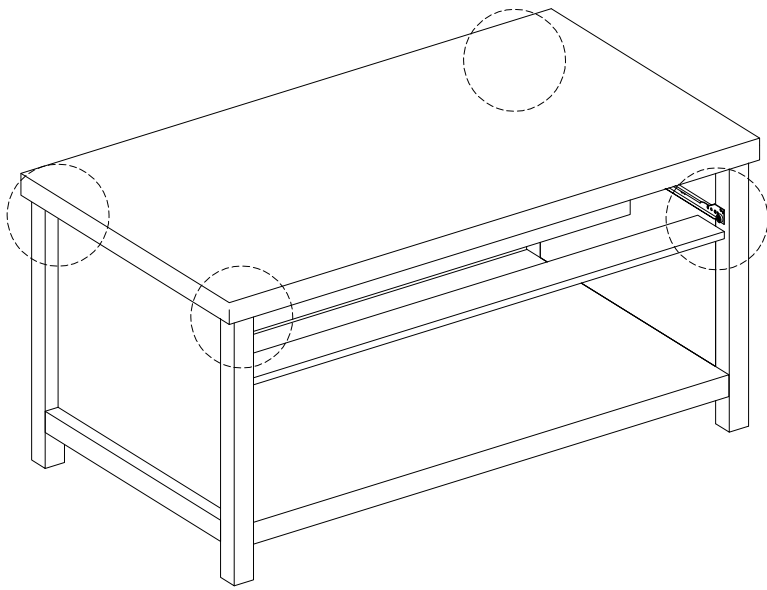
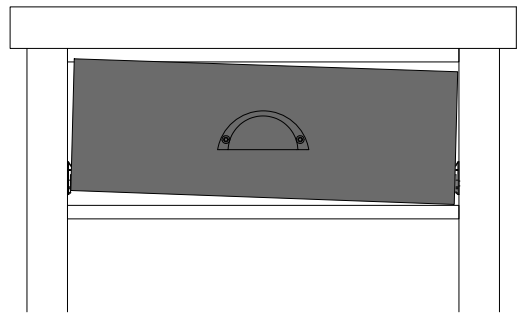
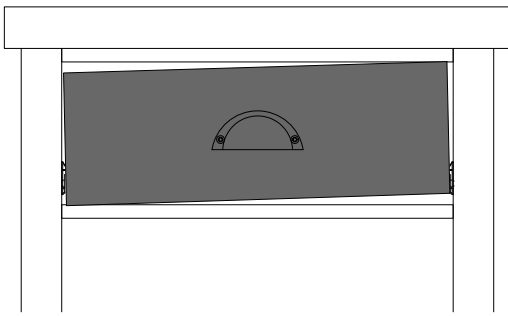
14 x2



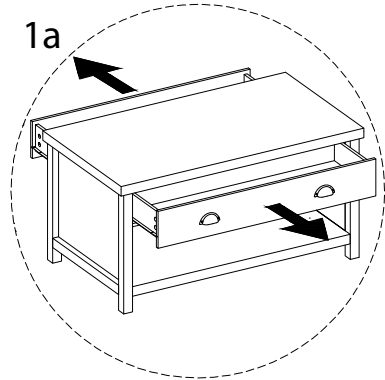
15



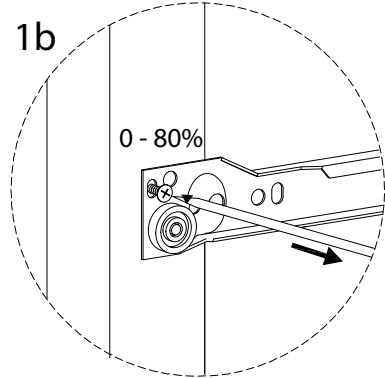
!



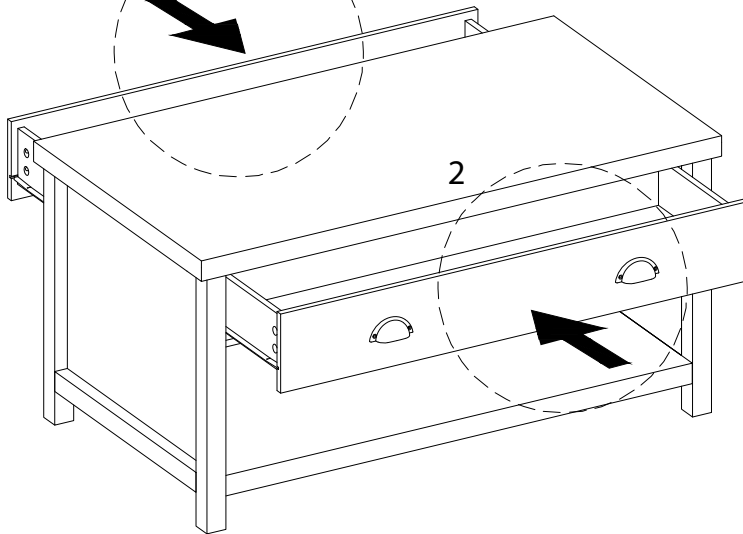
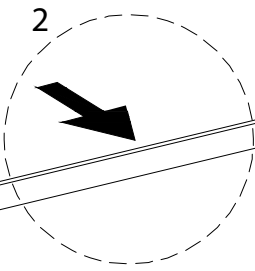
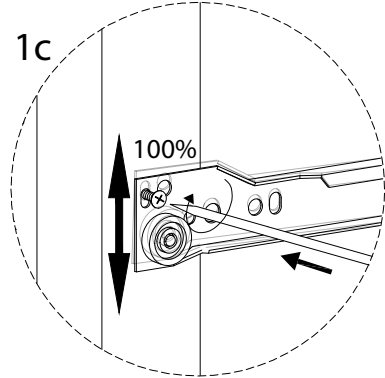
1a



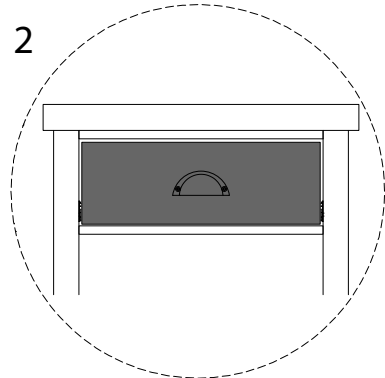
1b



1c



2



16

