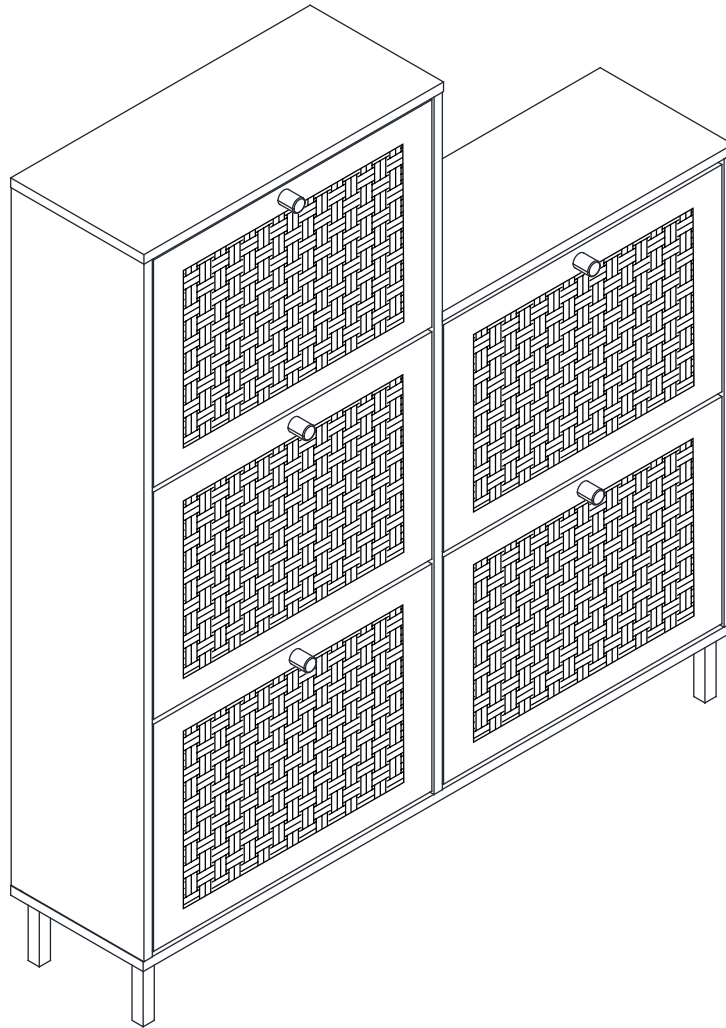


# Installation Instruction



Product name

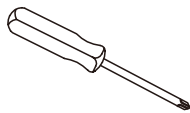
---

**5 Door Shoe Cabinet**

# Assembling

## What you need

- Use the packaging carton as a working surface to prevent product damage during assembly
- Phillips head screwdriver



## Weight Limitation



**40** | **11**  
lbs table top | lbs per Shelf



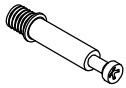
2 PERSONS

## What's included

Code	Description	Qty
A	Cam Bolt M6X35MM	17
B	Cam Lock 15X10MM	17
C	Wooden Dowel M6X30MM	18
D	Screw M4X35MM	6
E	Allen Key	1
F	Wooden Dowel M6X50MM	2
G	Plastic Corner Support	10
H	Screw M3X14MM	10
I	Plastic Stopper	10
J	Anchor M6X30MM	2
K	Screw M4X55MM	2
L	Left Plastic Holder	5
M	Screw M4X12MM	14
N	Inner Shaft	10
O	Screw M4X14MM	60
P	Handle	5
Q	Bolt M4X20MM	5
R	Right Plastic Holder	5
S	External Shaft	5
T	Bolt M6X12MM	12

# The Hardwares

(A)



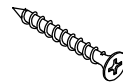
(B)



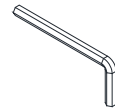
(C)



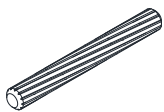
(D)



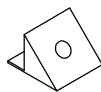
(E)



(F)



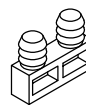
(G)



(H)



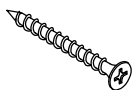
(I)



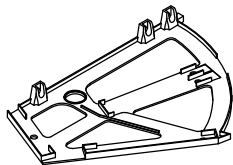
(J)



(K)



(L)



(M)



(N)



(O)



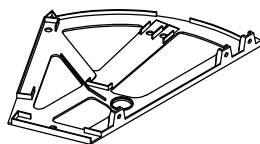
(P)



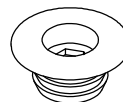
(Q)



(R)



(S)



(T)



## IMPORTANT:

1. Do not tighten bolts / screws completely until all bolts / screws are lined up and inserted into holes.
2. Do not over tighten screws and bolts to avoid stripping.
3. Please use hand tools to assemble this product. Do not use power tools.
4. Must need 2 people to assemble this product.

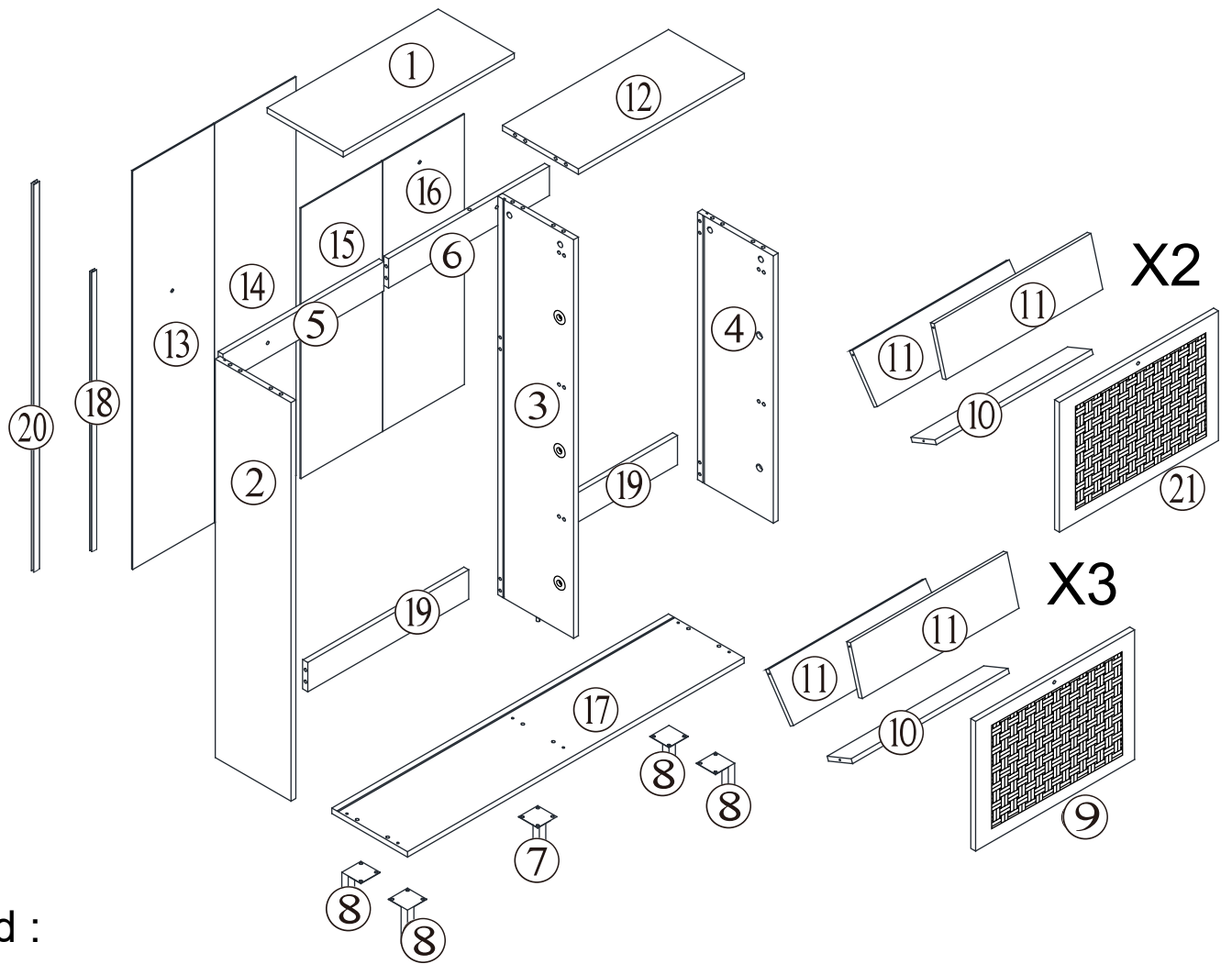


2 PERSONS

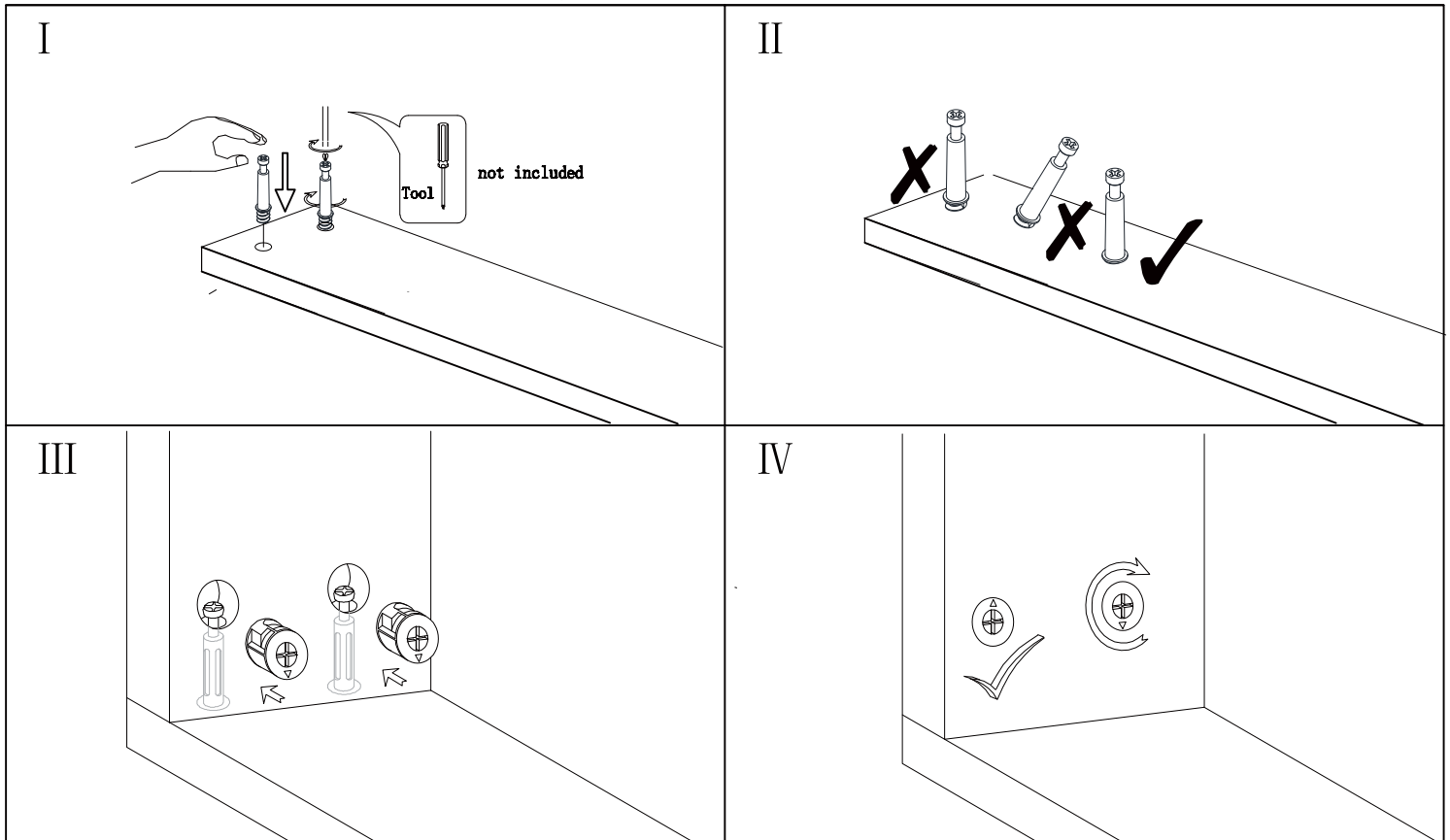
# Included Accessories

Code	Description	Qty
1	Left Cabinet Top	1
2	Left Side Panel	1
3	Division Panel	1
4	Right Side Panel	1
5	Left Back Stretcher	1
6	Right Top Back Stretcher	1
7	Middle Feet	1
8	Feet	4
9	Left Front Door Panel	5
10	Small Partition Board	10
11	Large Partition Board	5
12	Right Cabinet Top	1
13	Left Long Back Panel	1
14	Right Long Back Panel	1
15	Left Short Back Panel	1
16	Right Short Back Panel	1
17	Bottom Panel	1
18	Short Plastic Strip	1
19	Bottom Back Stretcher	2
20	Long Plastic Strip	1
21	Right Front Door Panel	2

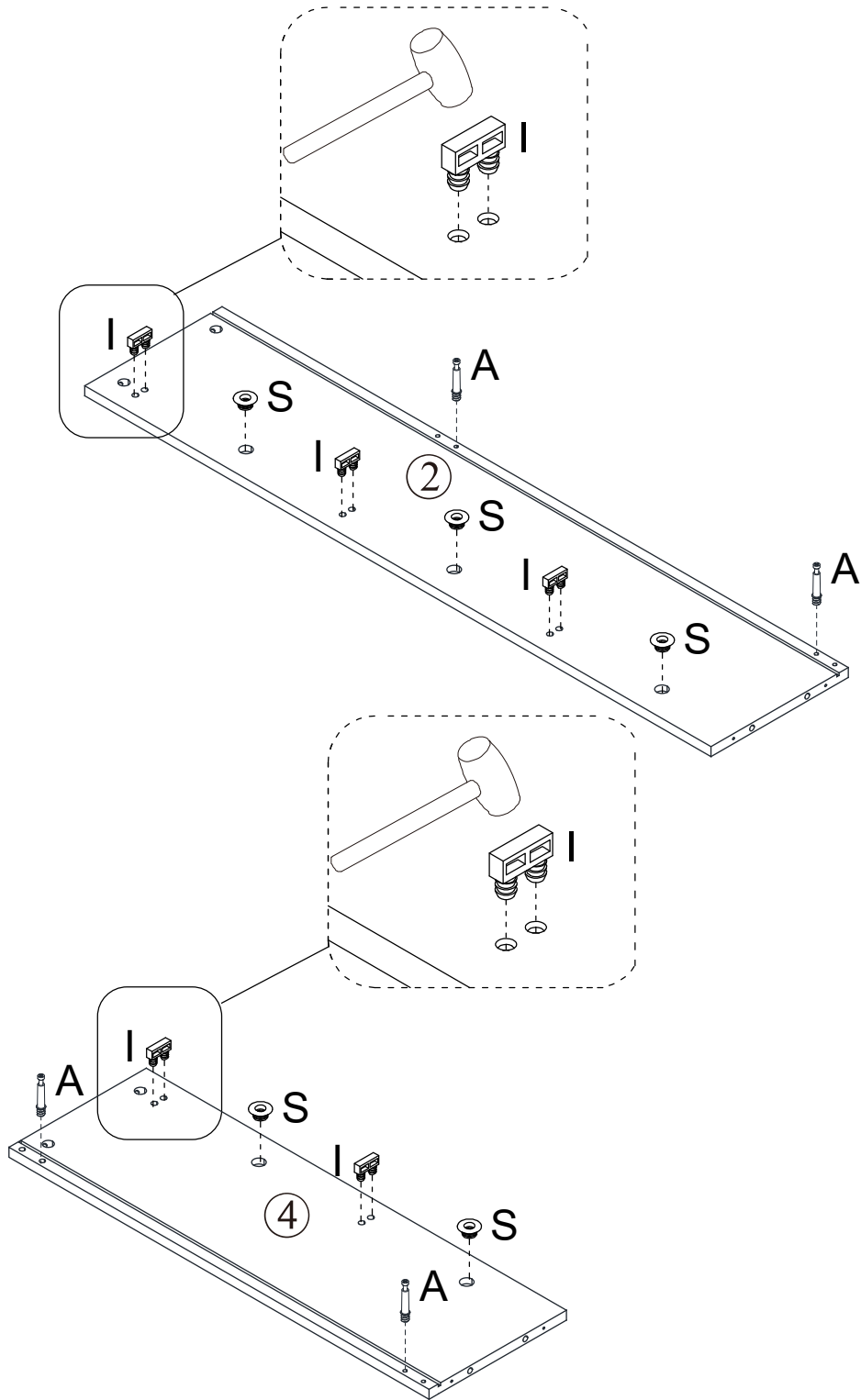
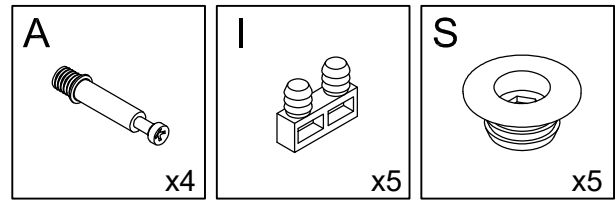
# Accessories



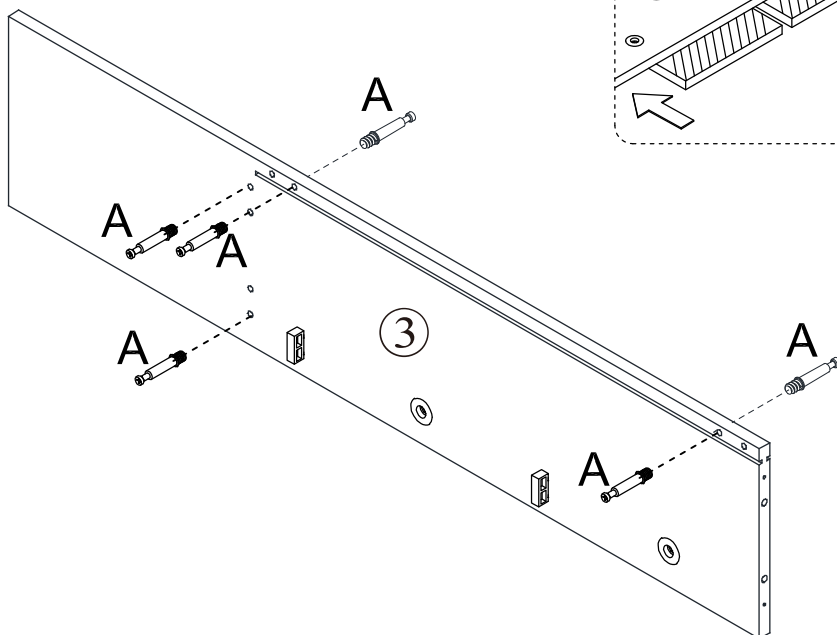
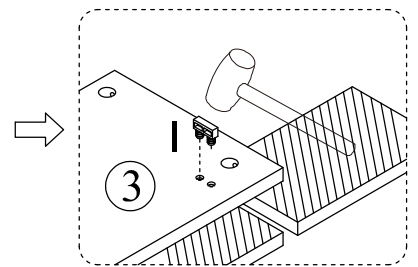
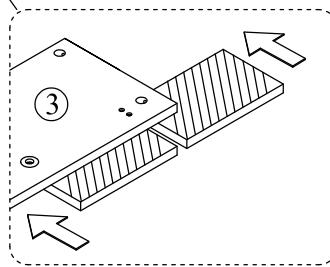
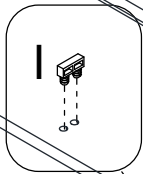
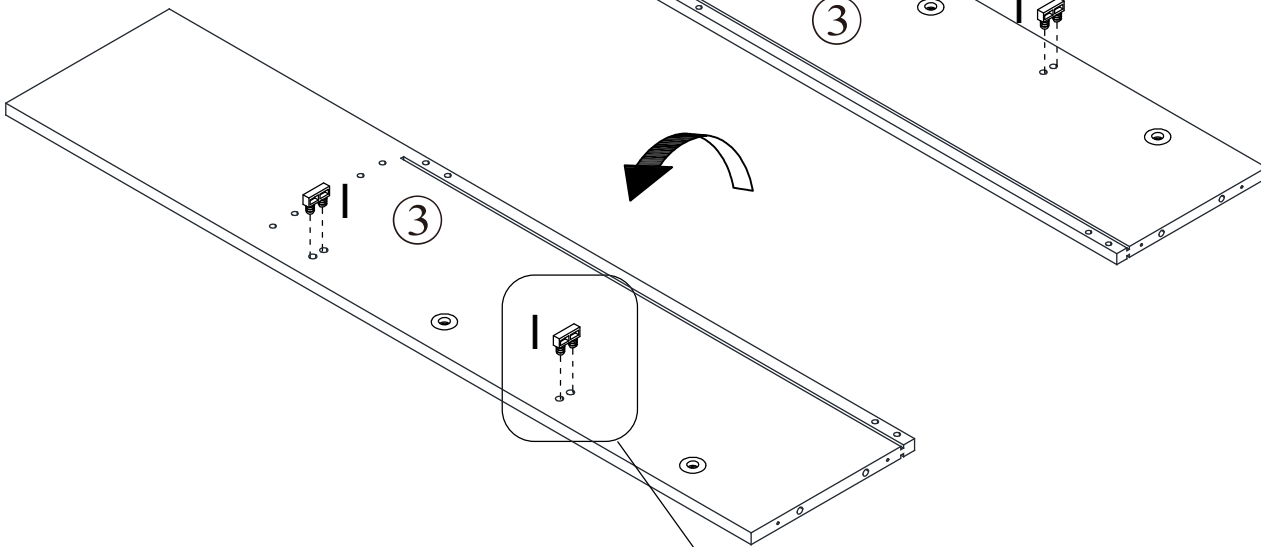
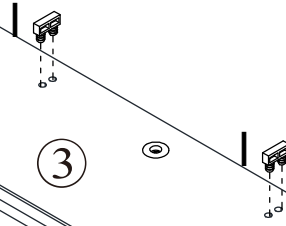
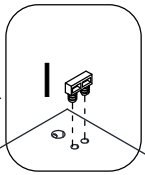
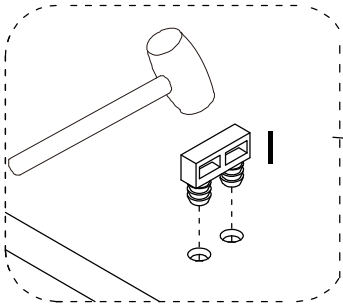
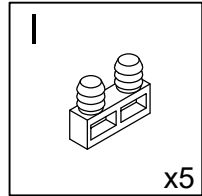
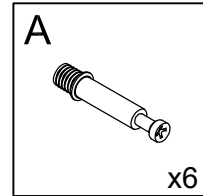
Noted :



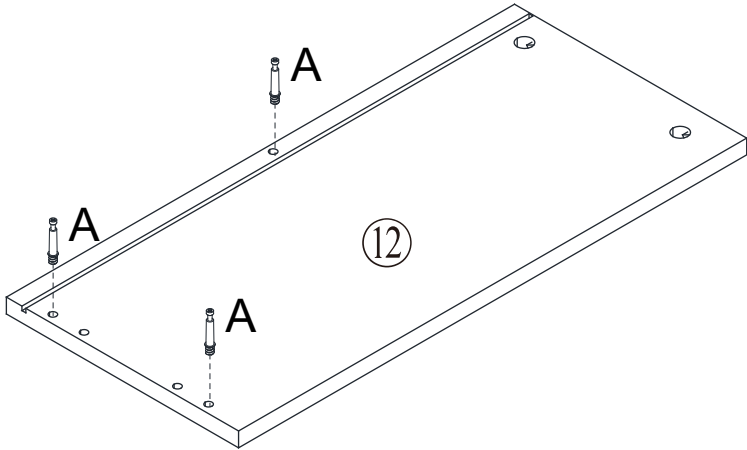
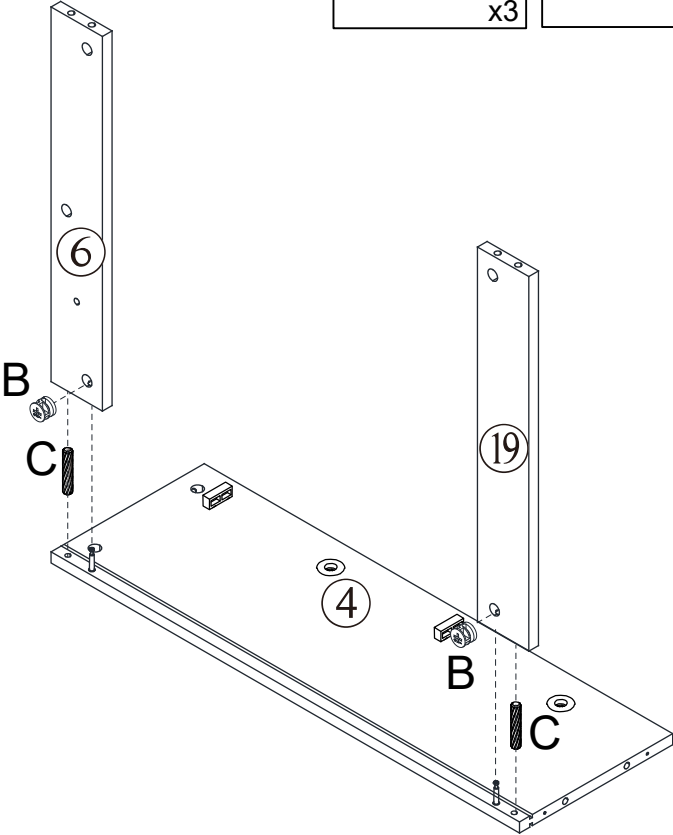
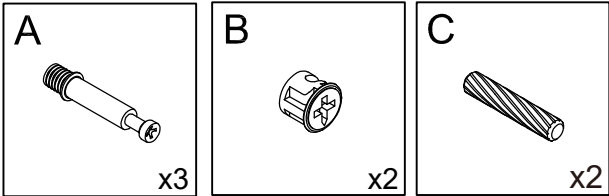
# STEP 1



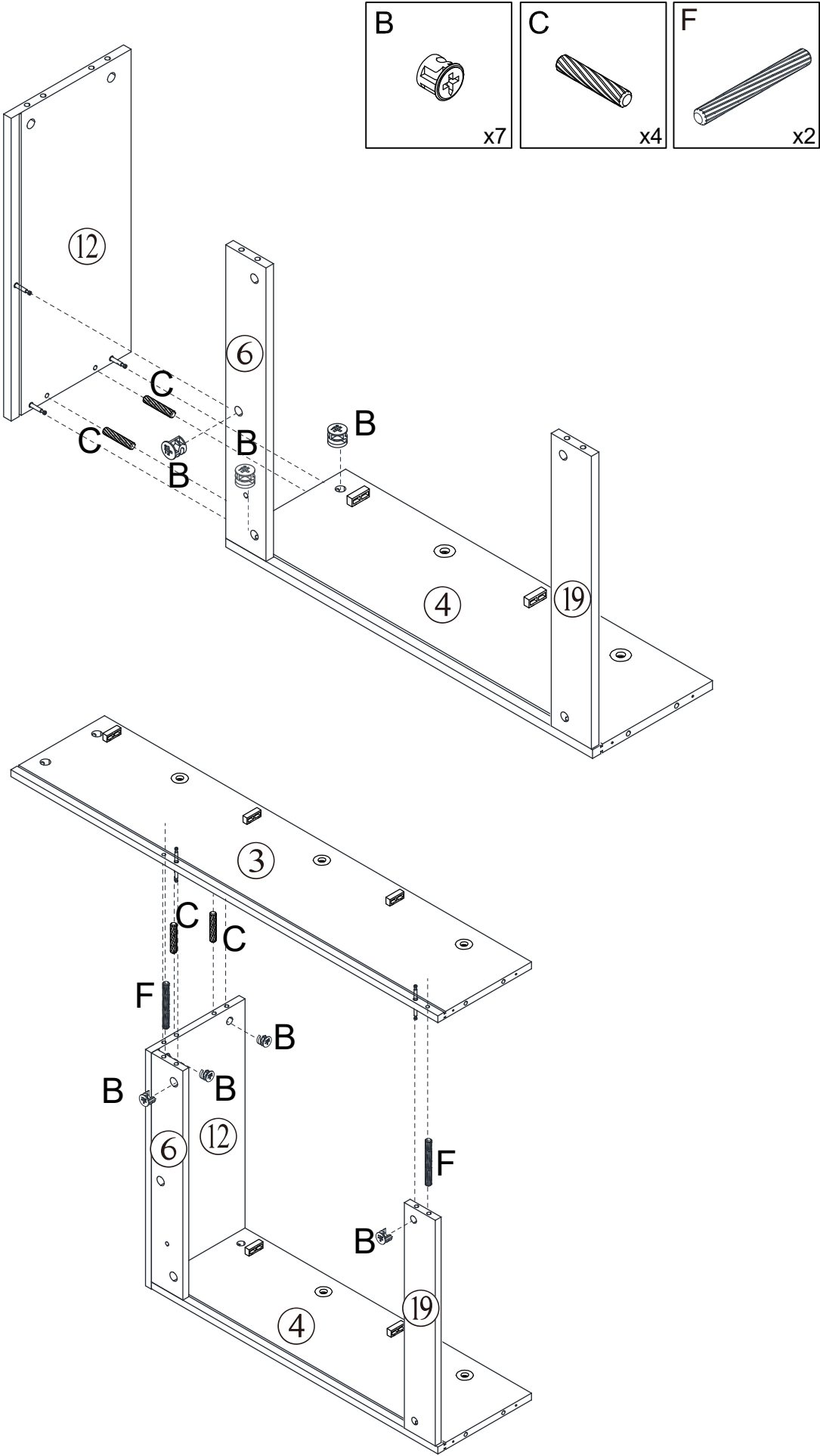
# STEP 2



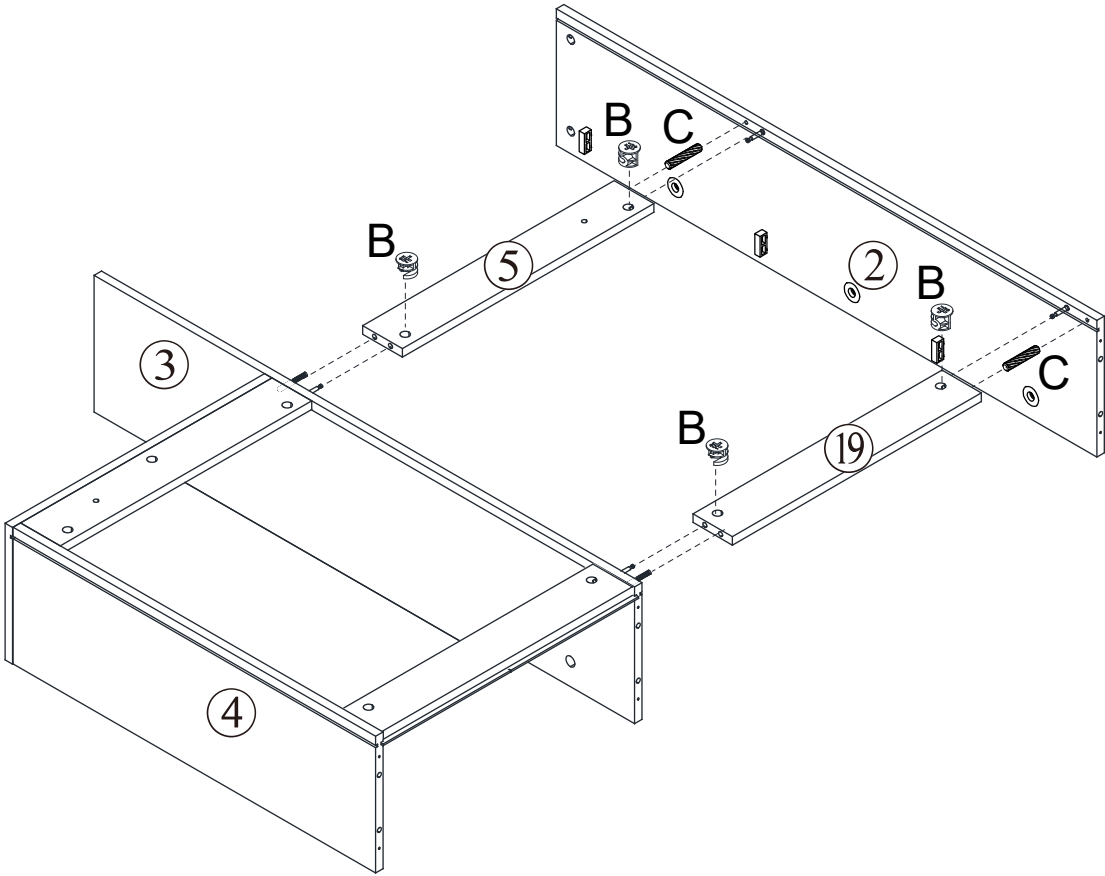
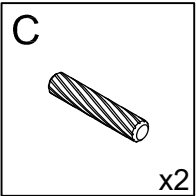
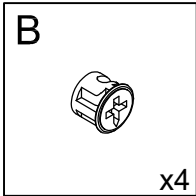
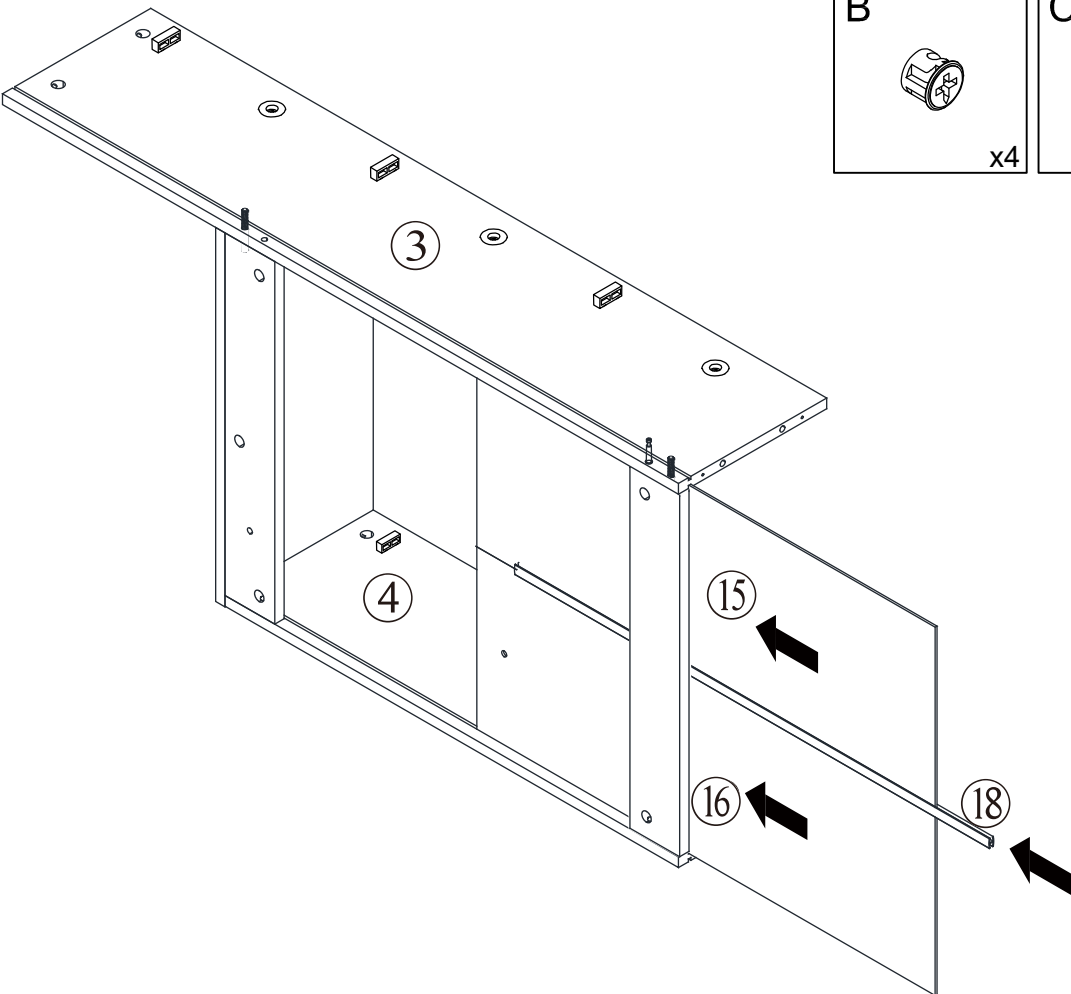
# STEP 3



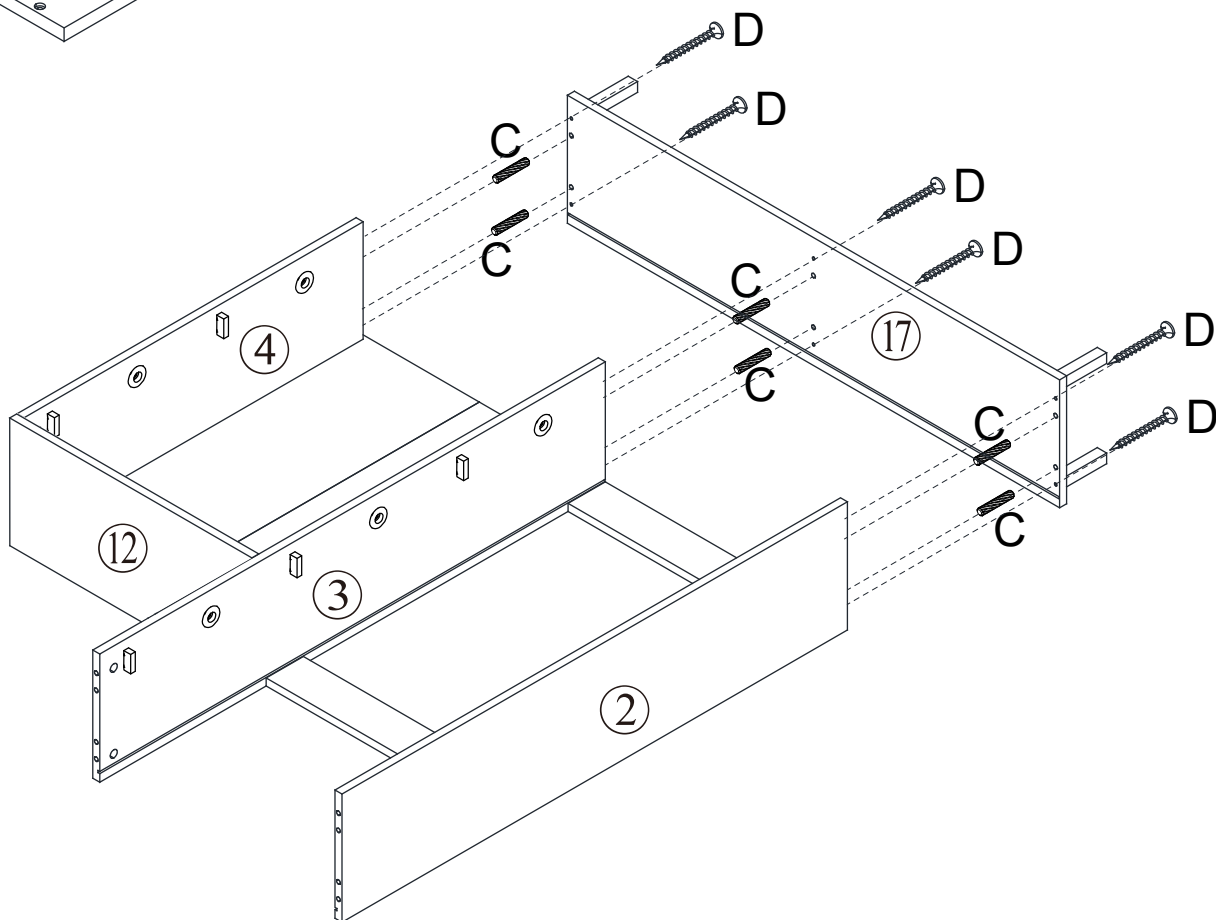
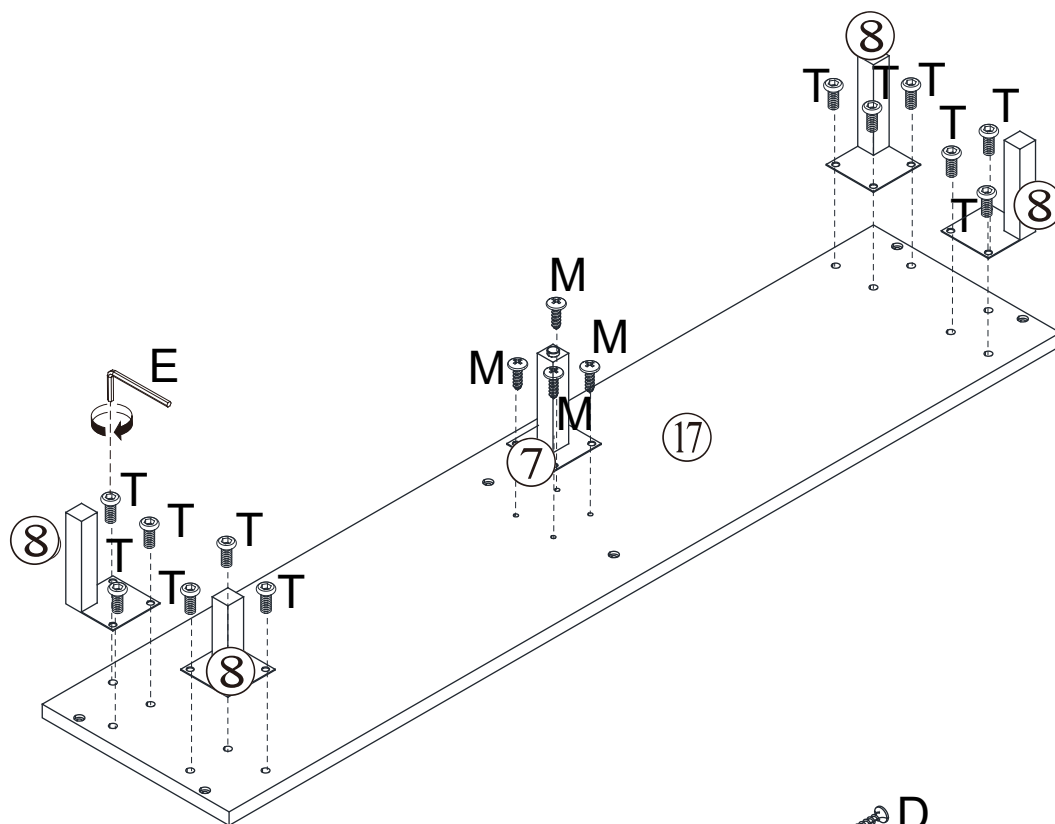
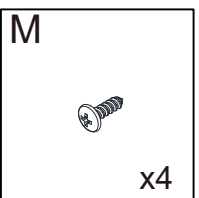
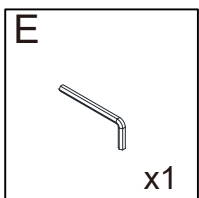
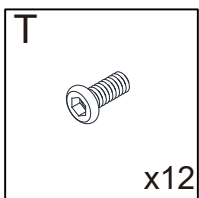
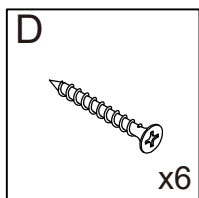
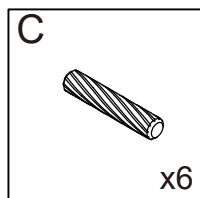
# STEP 4



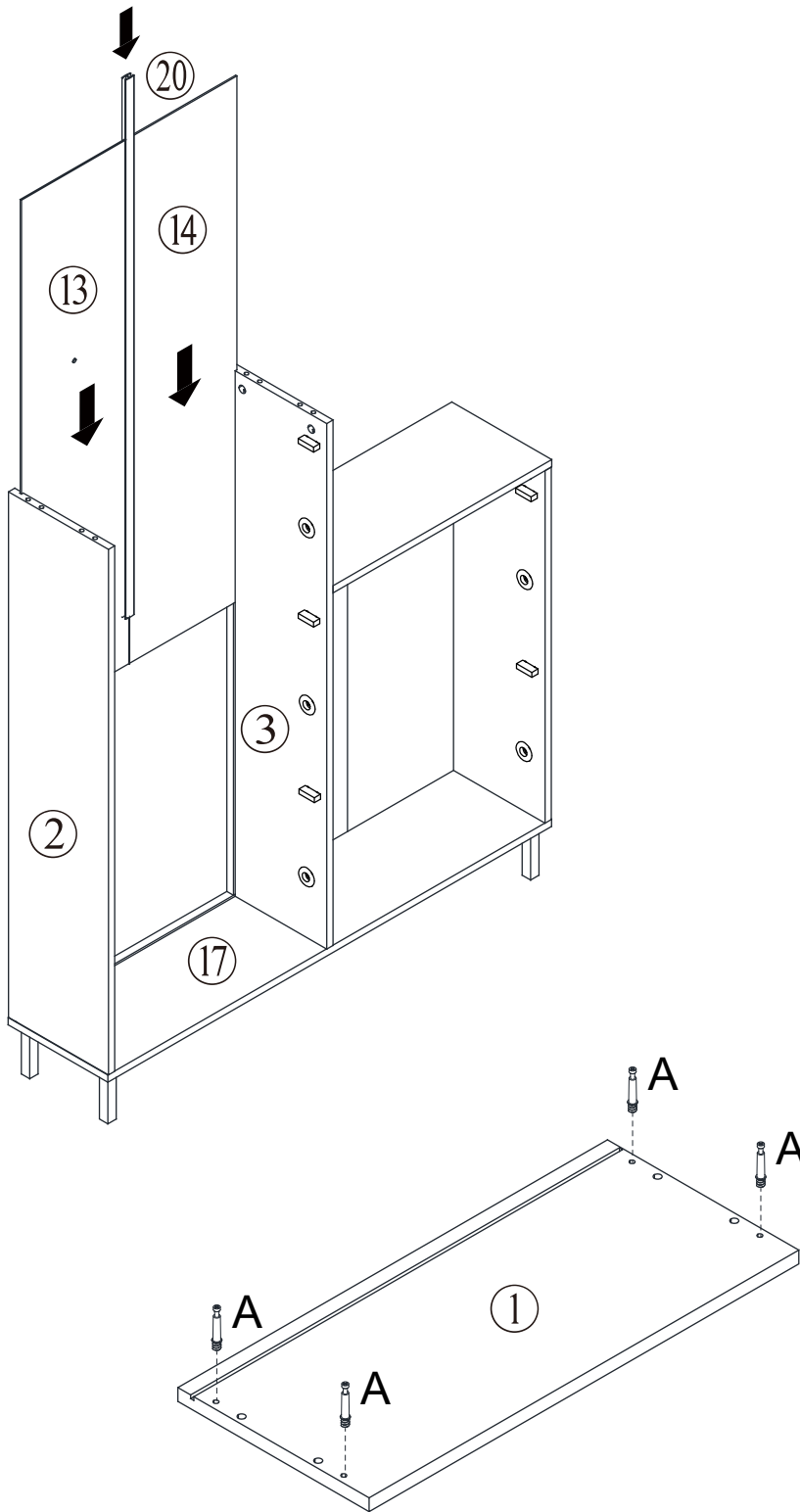
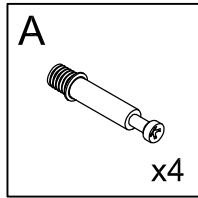
# STEP 5



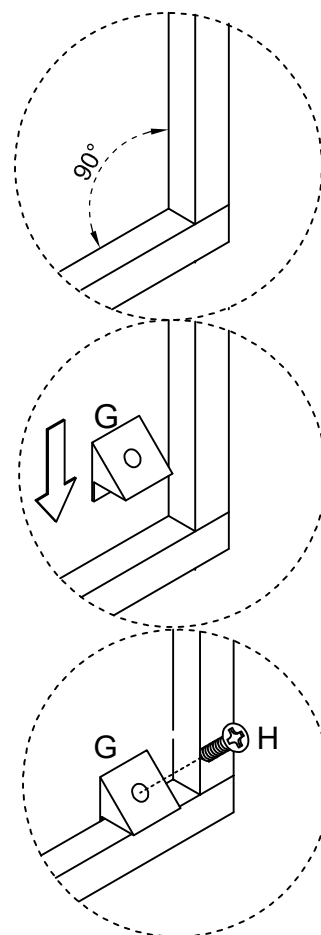
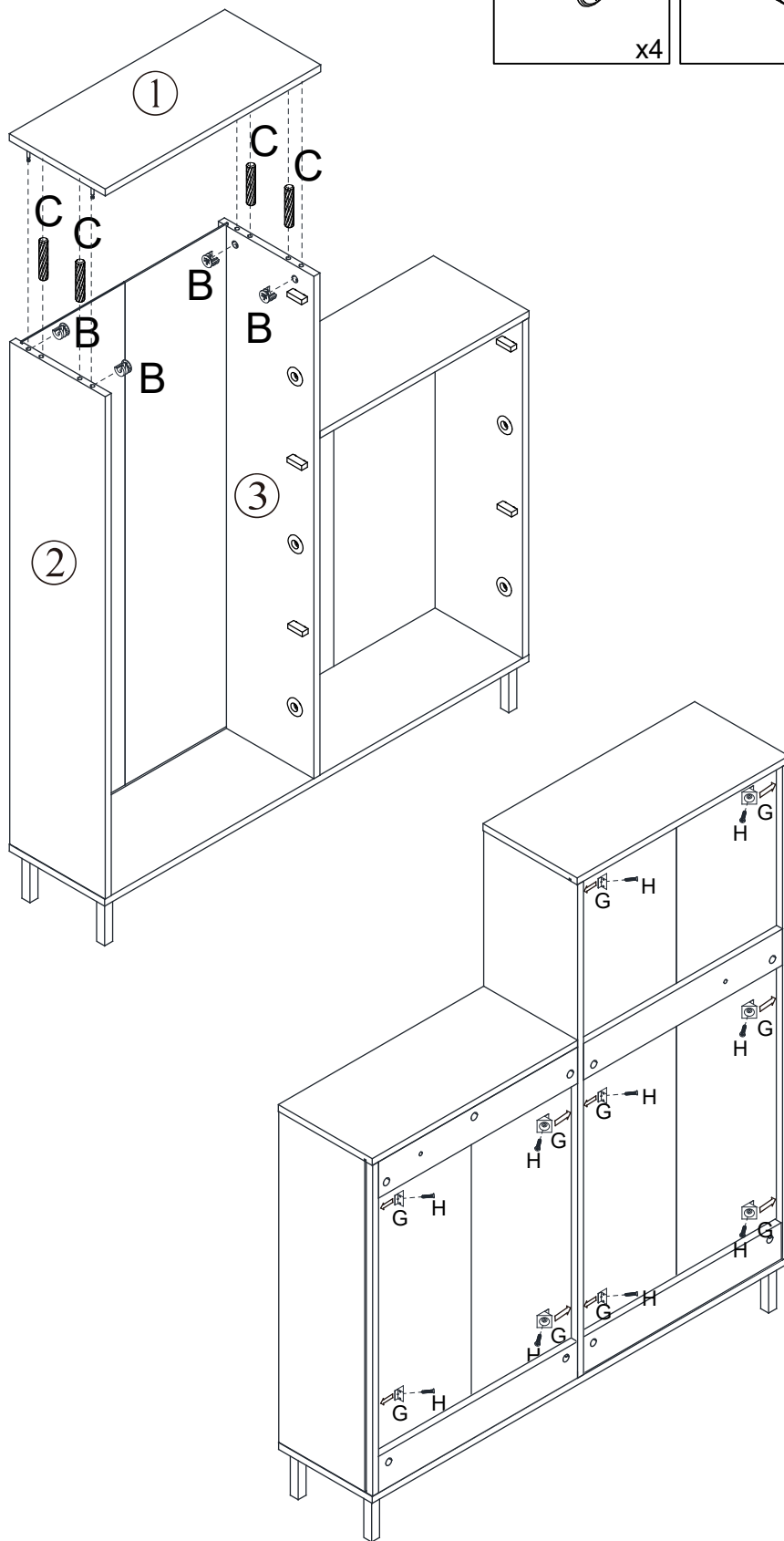
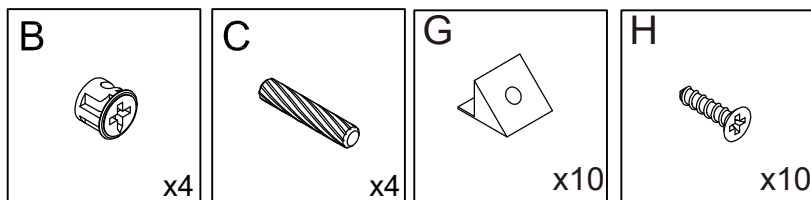
# STEP 6



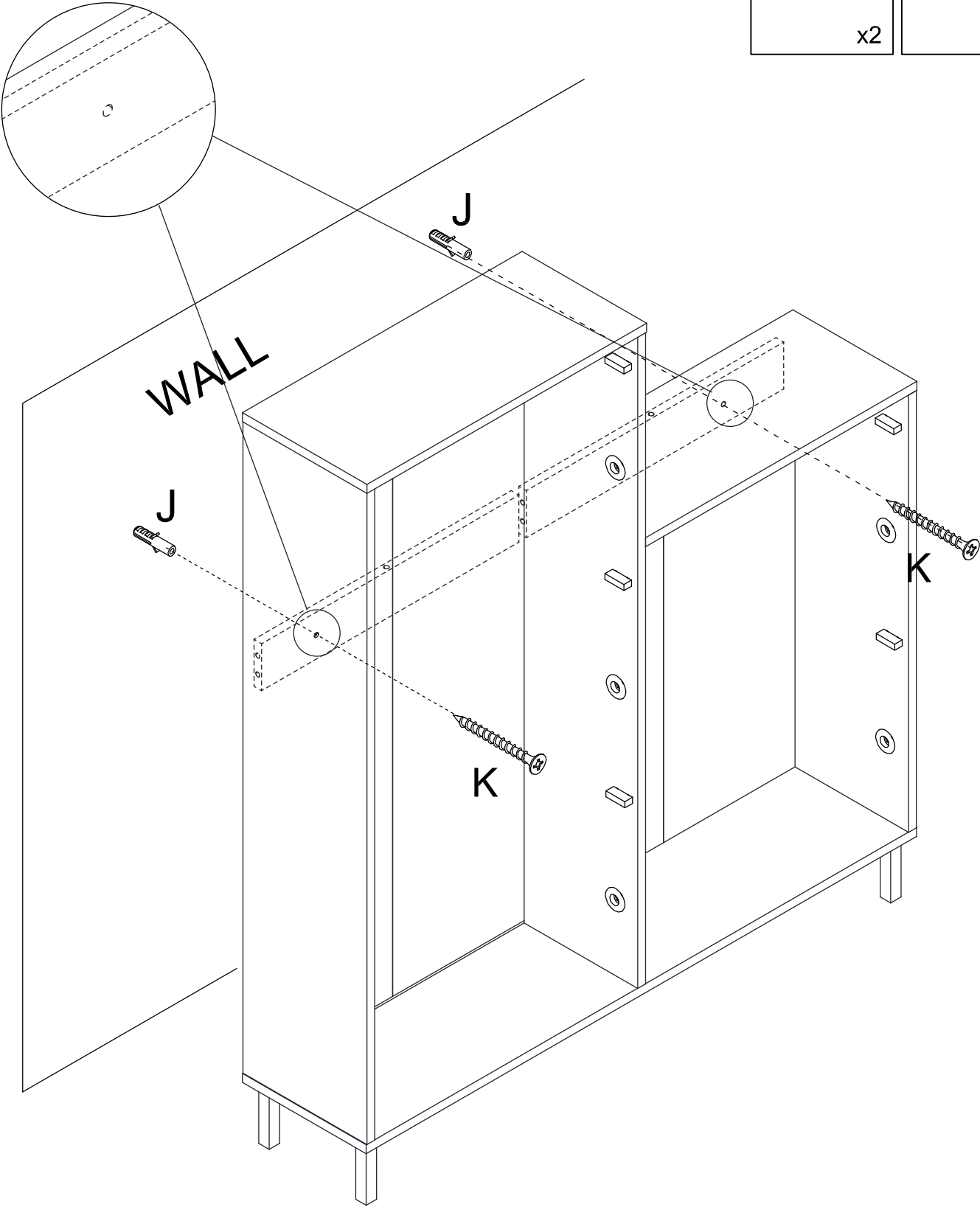
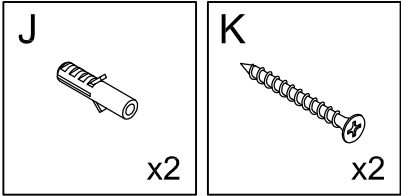
# STEP 7



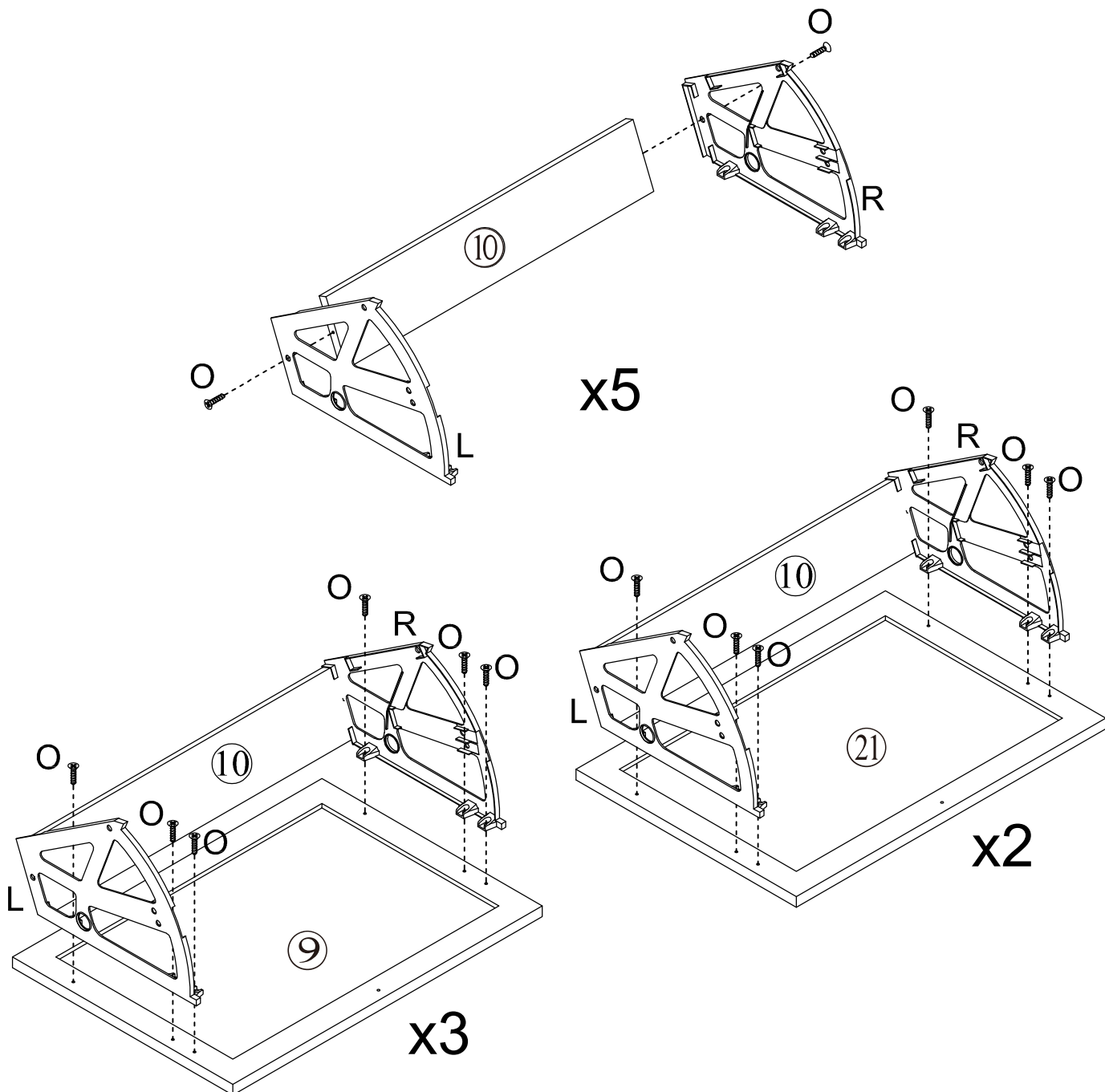
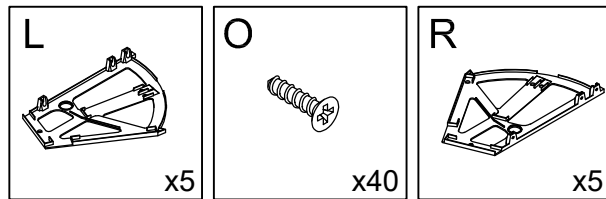
# STEP 8



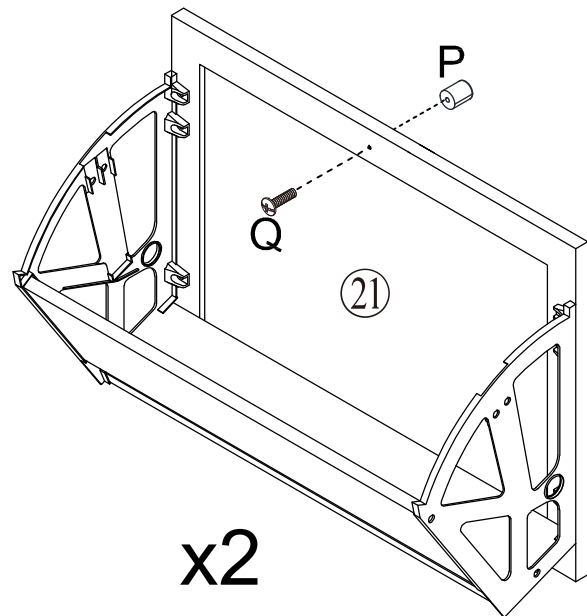
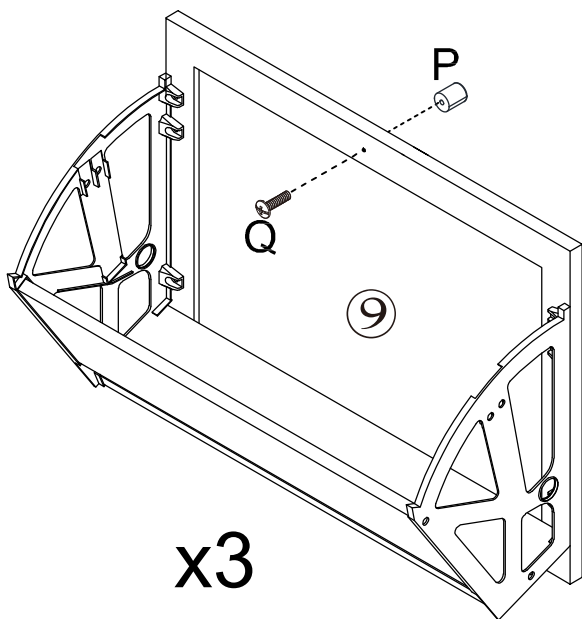
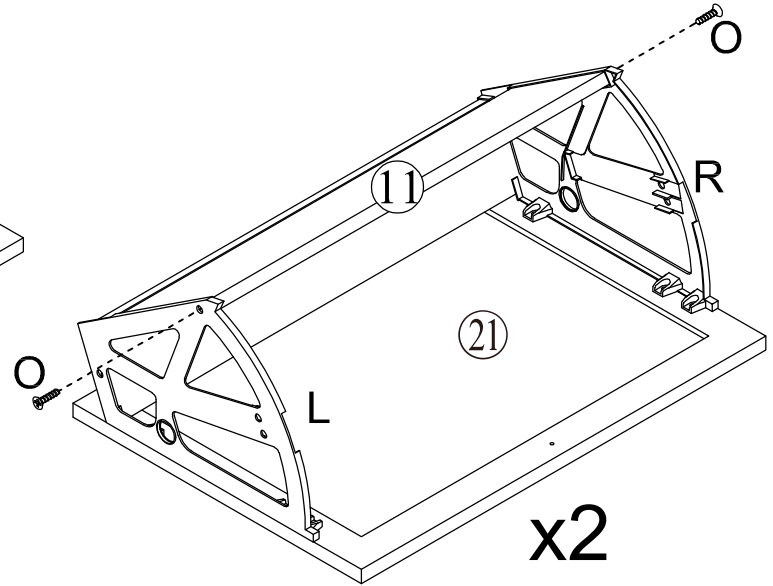
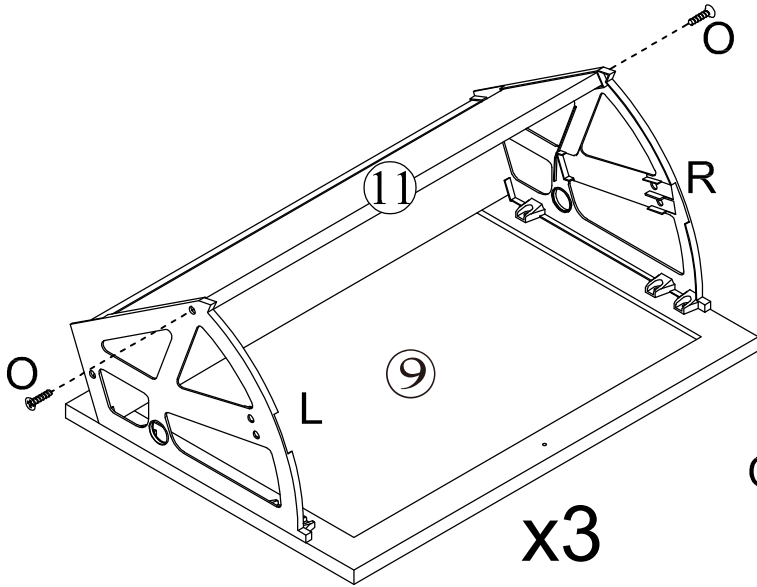
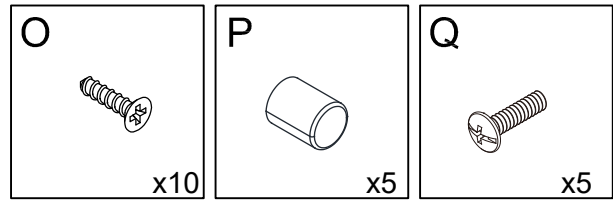
# STEP 9



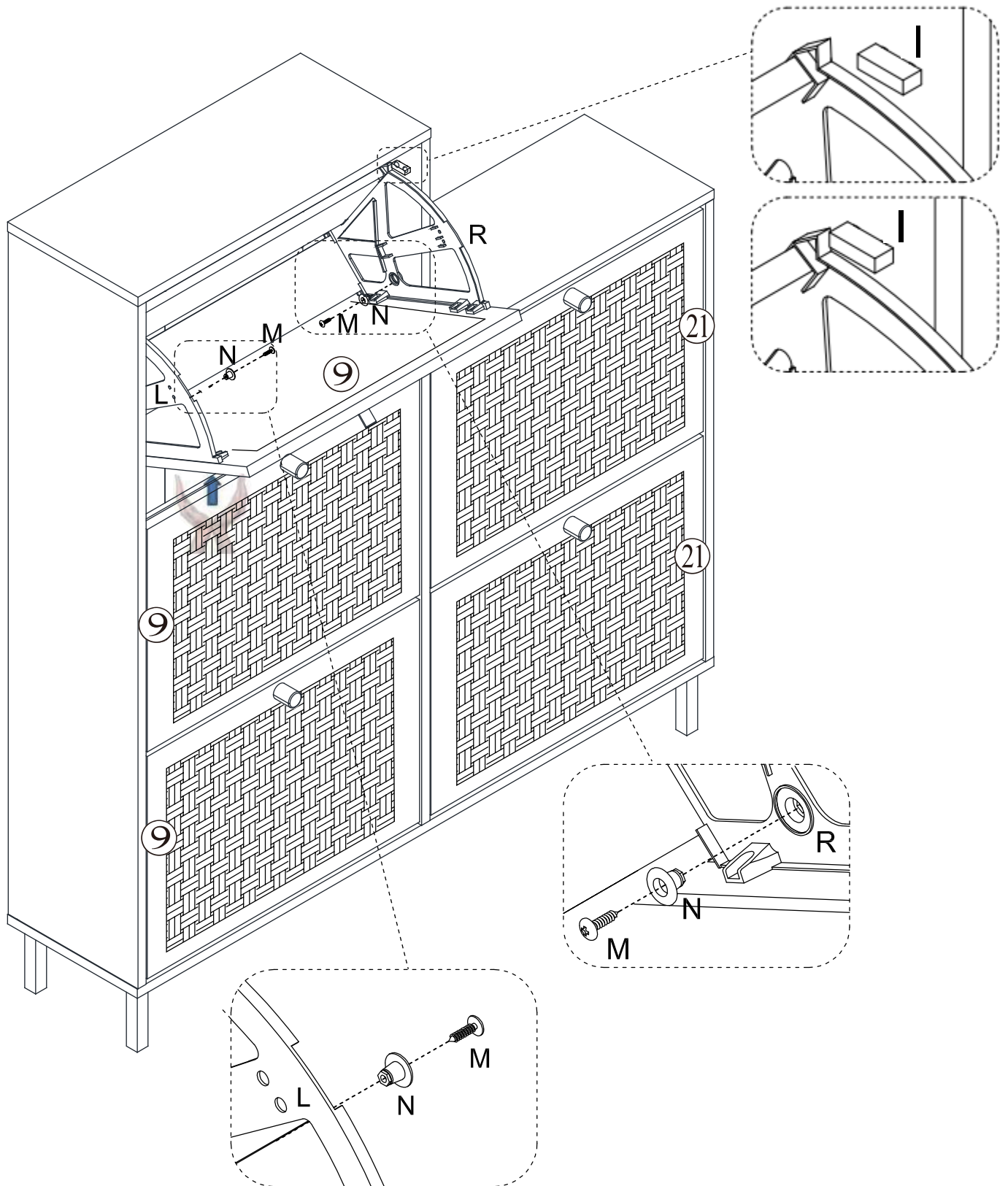
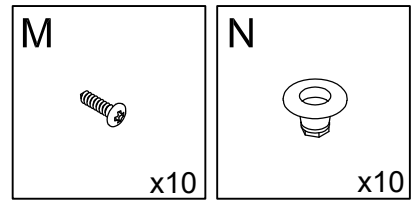
# STEP 10



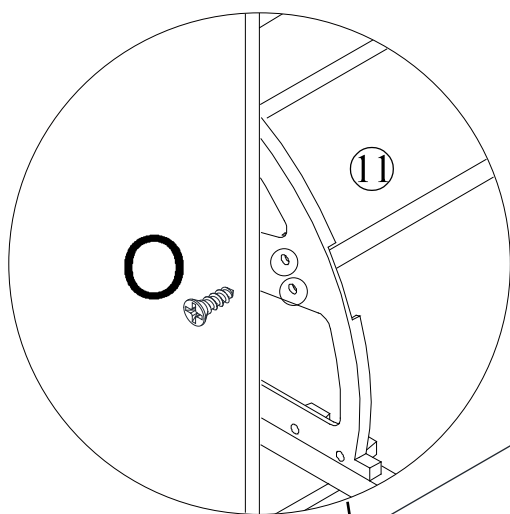
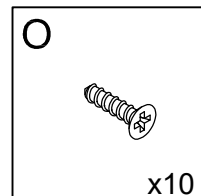
# STEP 11



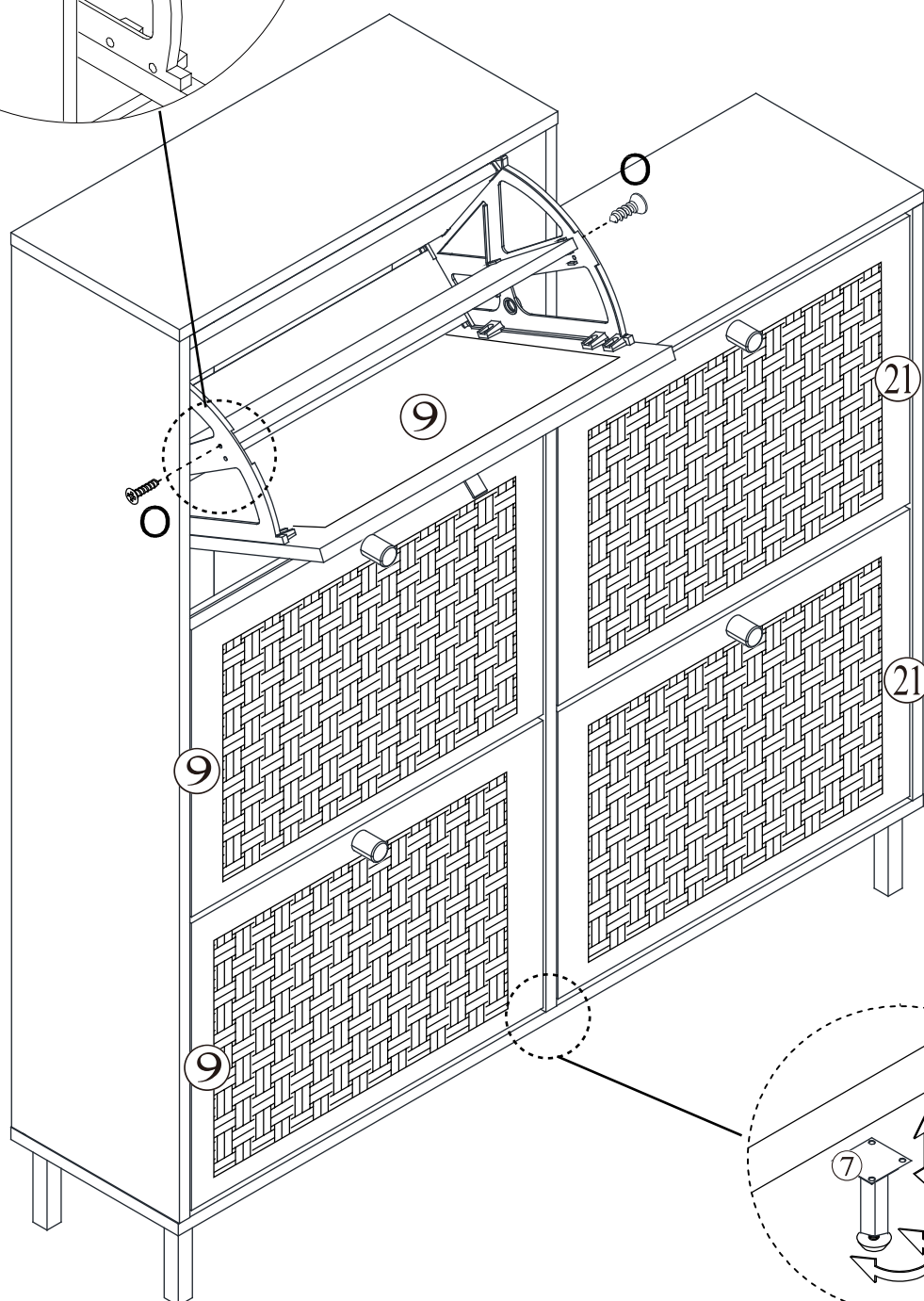
# STEP 12



# STEP 13



You can choose one of the two holes to screw in the screws according to your needs.



# Proper Use

- DO NOT** use for commercial purposes
- DO NOT** use as a step stool or stand on table
- DO NOT** put hot serving liquid directly on the table top
- DO NOT** leave spilled liquid on the table top
- DO NOT** use table if damaged
- DO NOT** exceed weight limit
- DO NOT** make temporary repairs
- DO NOT** use outdoor

Dear Customer:

Thank you for purchasing our product, we wish you satisfy our service, if you have any further questions or any quality issues, please show the belows number and don't hesitate to contact our Customer Service People: