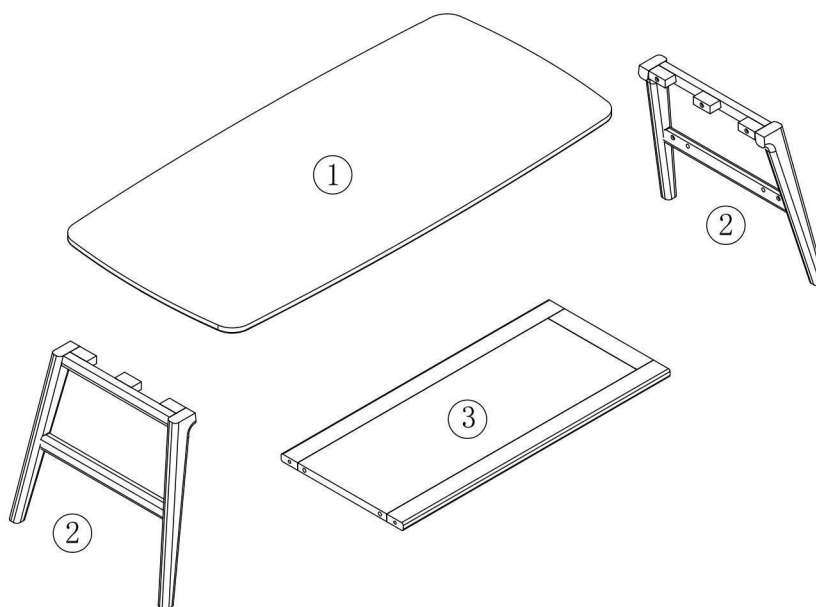
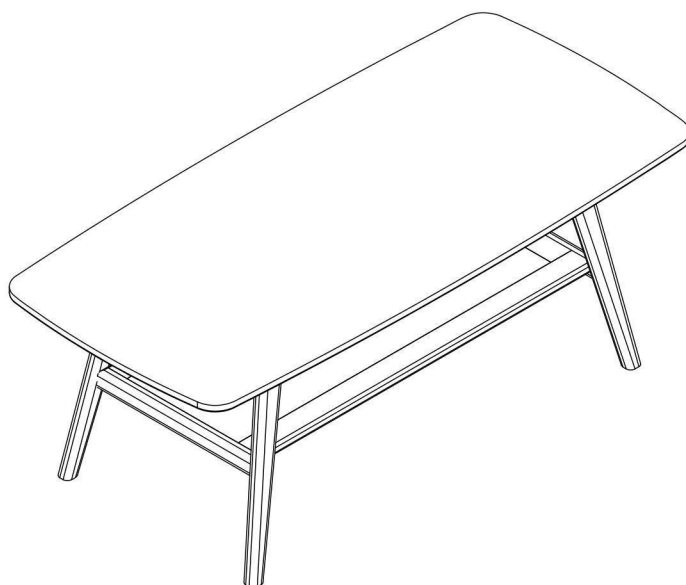








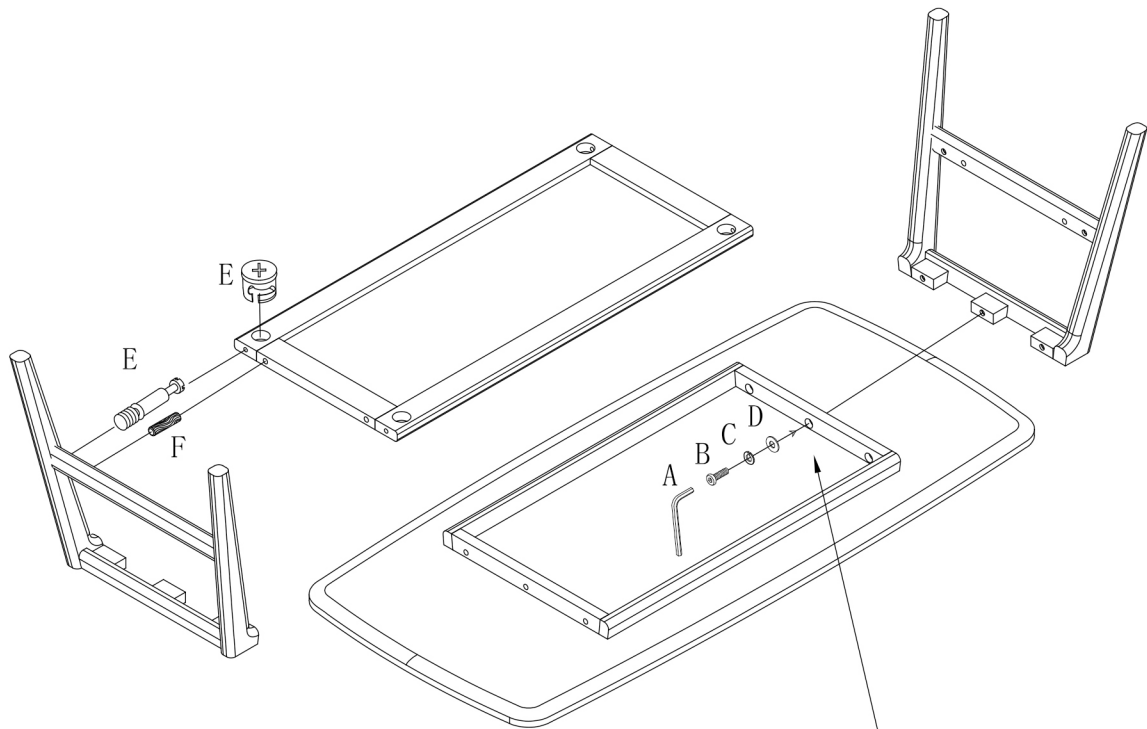
ZB-CT01

Curved coffee table with partition



					
A: Allen key 5#=1	B: Screw M8*35= 4	C: Spring pad ø 8= 4	D: Flat pad ø 8= 4	E: Triple=4	F: Dowel 8*40=4

Step: Assemble the left and right side panels and partitions in sequence according to the hole positions, and then assemble the panel



Tips: The size of the product is different, the number of screws required for assembly is different, and the installation is based on the actual hardware parts.