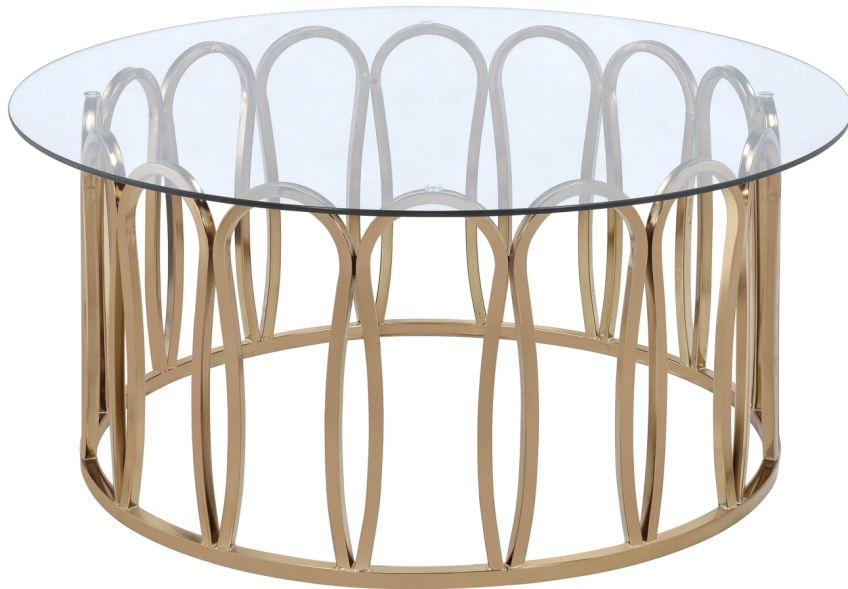


ASSEMBLY INSTRUCTIONS



COFFEE TABLE

ASSEMBLY INSTRUCTIONS

ASSEMBLY TIPS:

1. Remove hardware from box and sort by size.
2. Please check to see that all hardware and parts are present prior to start of assembly.
3. Please follow attached instructions in the same sequence as numbered to assure fast & easy assembly.



WARNING!

1. Don't attempt to repair or modify parts that are broken or defective. Please contact the store immediately.
2. This product is for home use only and not intended for commercial establishments.



ASSEMBLY TIME 30 MINUTES

PARTS IDENTIFICATION

B2 : TOP

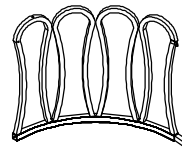
A TOP GLASS



1PC

B1 : BASE

B SIDE FRAME



4PCS

HARDWARE IDENTIFICATION

HARDWARE PACK IS LOCATED IN 460183 (B1)

1 SCREW
(3/16" x 12mm GD)



4PCS

2 BOLT
(1/4" x 12mm GD)



4PCS

3 SUCTION CUP
(ϕ 8mm)



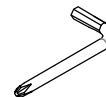
4PCS

4 LEVELER
(1/4" x 12mm BLK)



4PCS

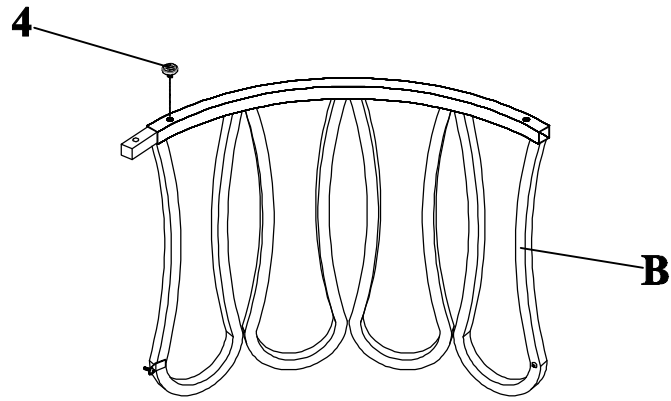
5 ALLEN WRENCH
(4mm)



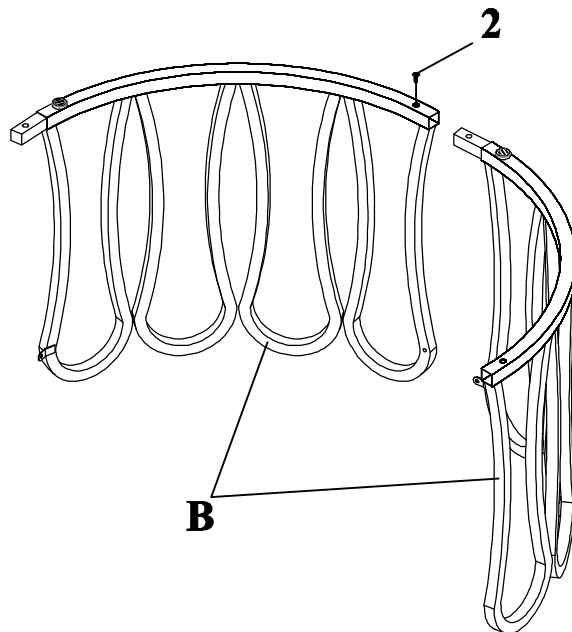
1PC

ASSEMBLY INSTRUCTIONS

STEP 1 Do not tighten until each step is completed or instructed.

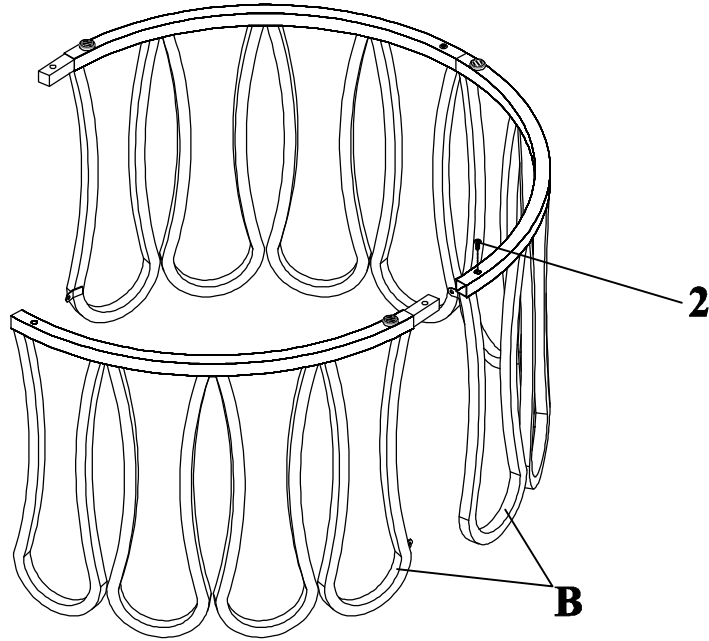


STEP 2

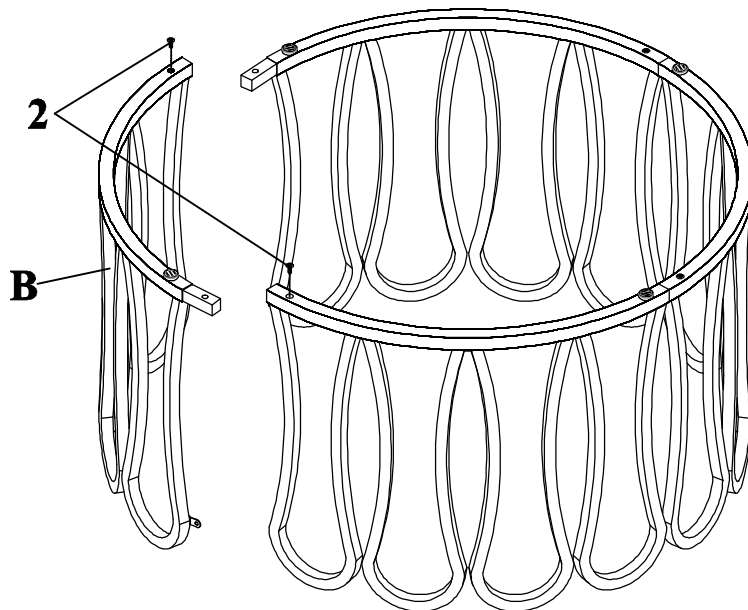


ASSEMBLY INSTRUCTIONS

STEP 3

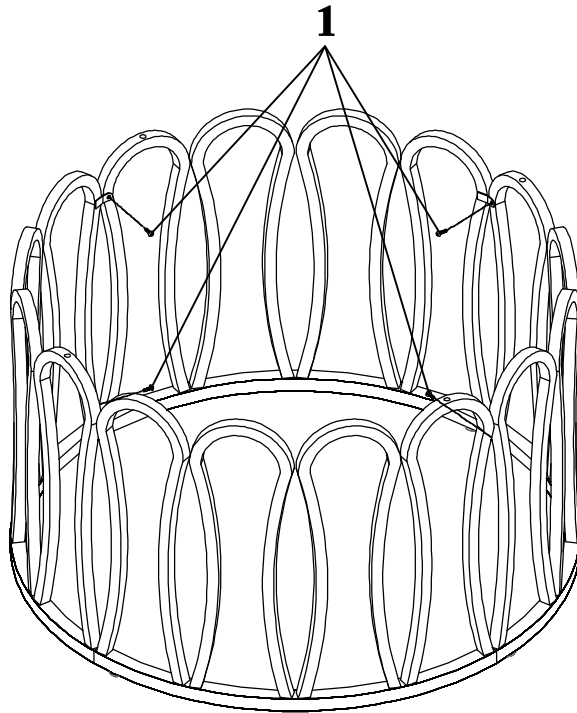


STEP 4

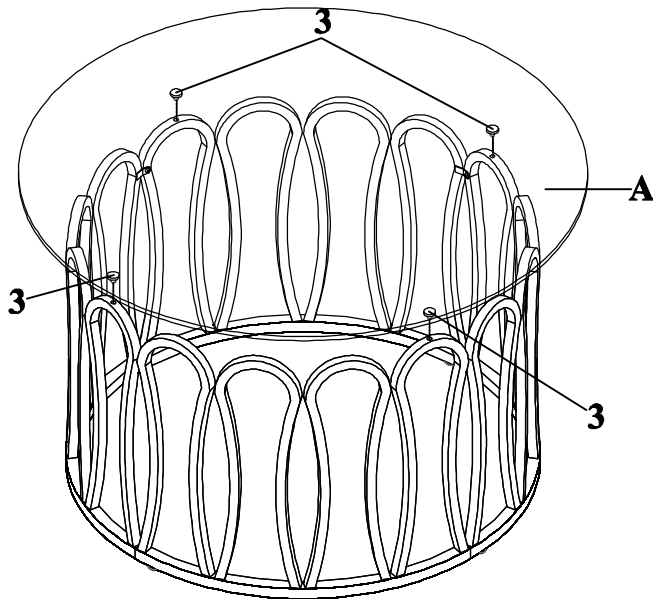


ASSEMBLY INSTRUCTIONS

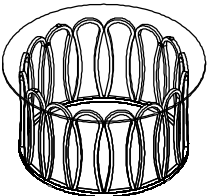
STEP 5



STEP 6



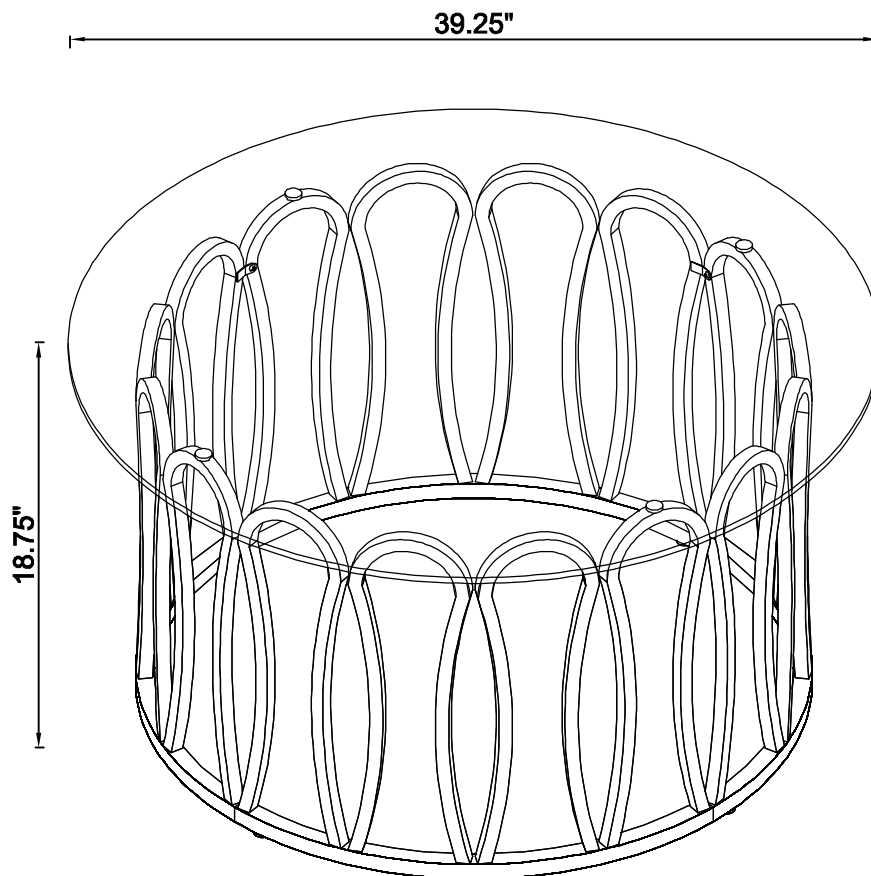
COMPLETE



ASSEMBLY INSTRUCTIONS

Product Size : 997 DIA X 476 H (MM)

Product Size : 39 $\frac{1}{4}$ " DIA X 18 $\frac{3}{4}$ "



Note : Dimension tolerance $\pm 5\%$