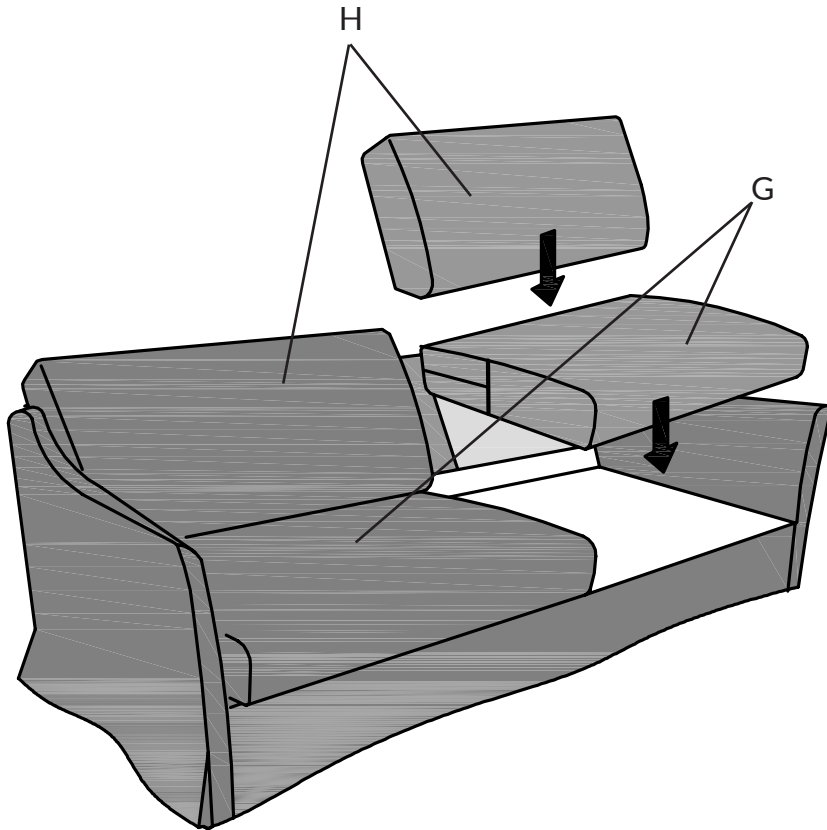
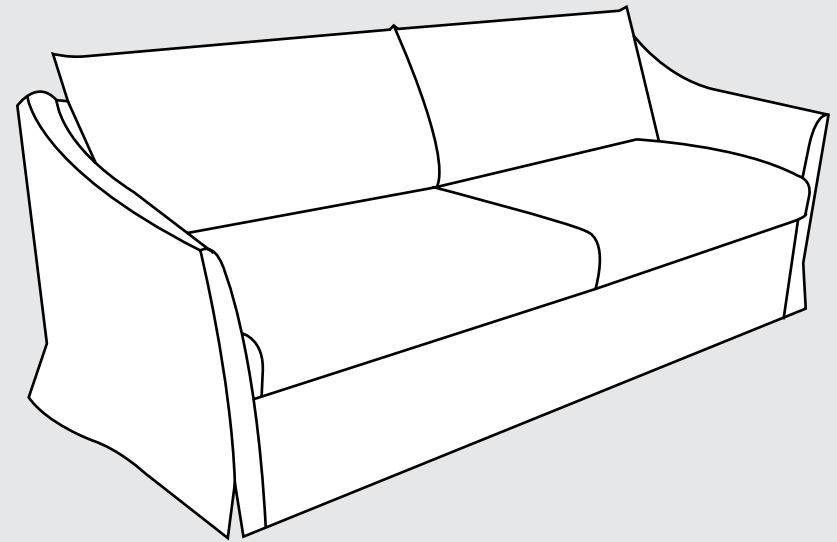


- 10** Place Seat Cushion (G) and Backrest Cushions (H) onto assembled Loveseat Frame.
Enjoy your new loveseat.

Model: _____
Lot No: _____
Date of Purchase: _____



LOVESEAT



ADULT ASSEMBLY REQUIRED

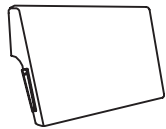
If you are missing any parts or have any questions regarding assembly, do not return this item to the retailers store. Please call our toll-free, customer service number and have this assembly manual open to the parts list ready to provide the model name, number and part name or number.



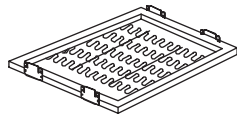
WARNING: This product may contain small components, please ensure they are kept away from small children.

PARTS AND HARDWARE

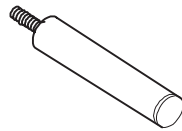
Avoid using sharp objects such as a knife to cut open packing as you may accidentally damage the upholstery.



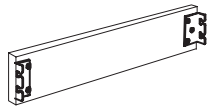
A. Backrest
1x



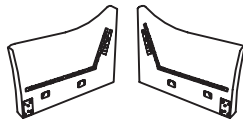
B. Seat Deck
1x



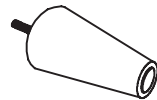
C. Center Support Bar
1x



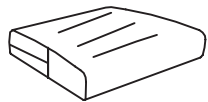
D. Front Panel
1x



E. Arms
2x



F. Legs
4x

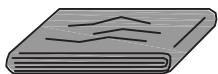


G. Seat Cushion
2x



H. Back Cushion
2x

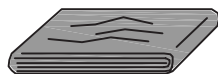
*****ALL COVERS SHIPPED IN SEPARATE BOX FROM FRAME*****



I. Loveseat Frame Cover
1x

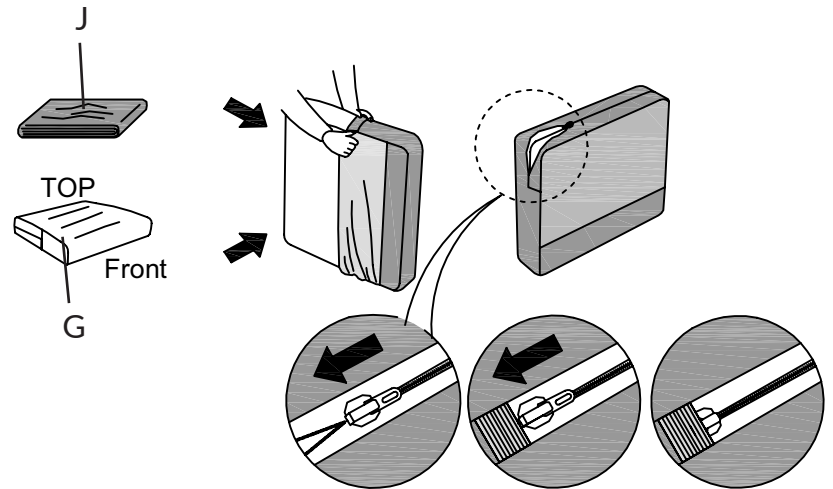


J. Seat Cushion Cover
2x

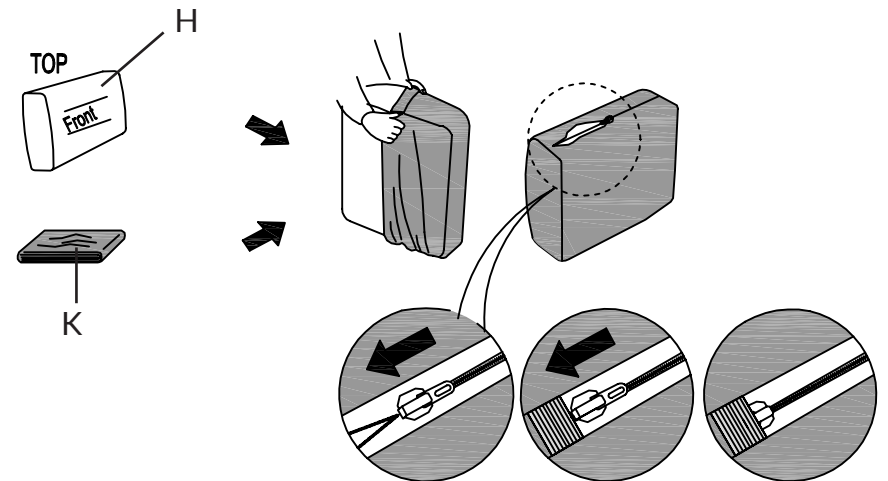


K. Back Cushion Cover
2x

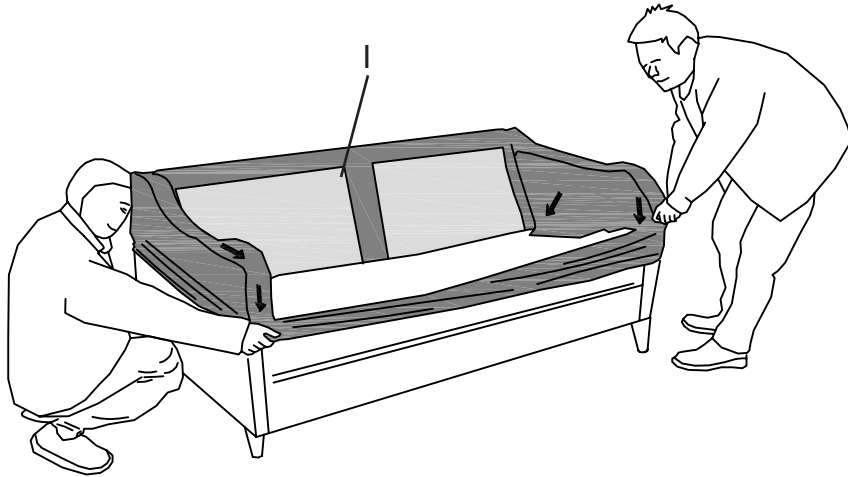
8 Insert Seat Cushion (G) into Seat Cushion Cover (J).
Use care to make sure cover fits snugly inside.



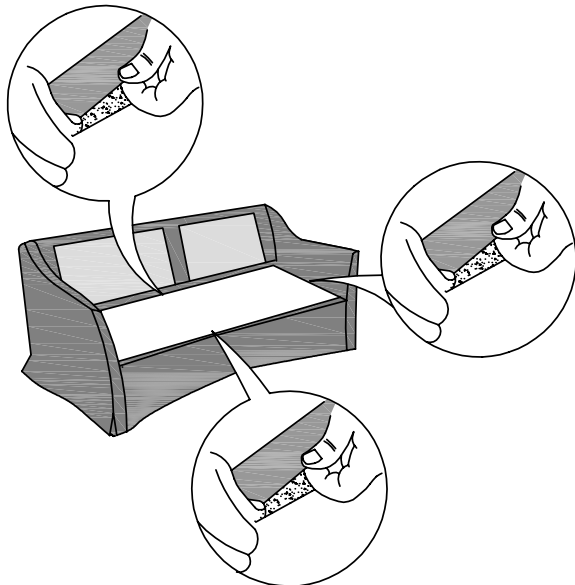
9 Insert Back Cushion (H) into Back Cushion Cover (K).
Use care to make sure cover fits snugly inside.



- 6** Attach the Loveseat Frame Cover (I) to the Loveseat Frame Assembly. The Cover Attaches to the frame using Velcro. Two People May Be Needed to Attach Cover Neatly.



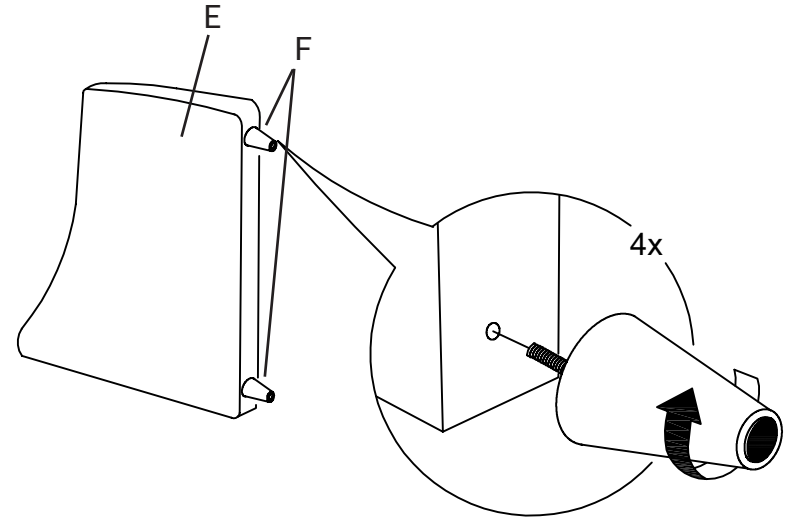
- 7** Clean up the Backrest cover, gentle smooth out any wrinkles and re-attaching velcro for a nice, fit finish.



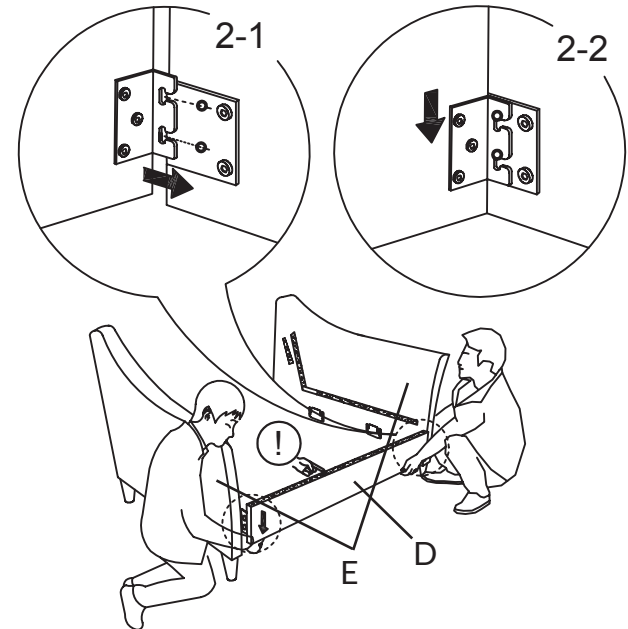
ASSEMBLY INSTRUCTIONS

Do not fully tighten bolts until assembly is complete.

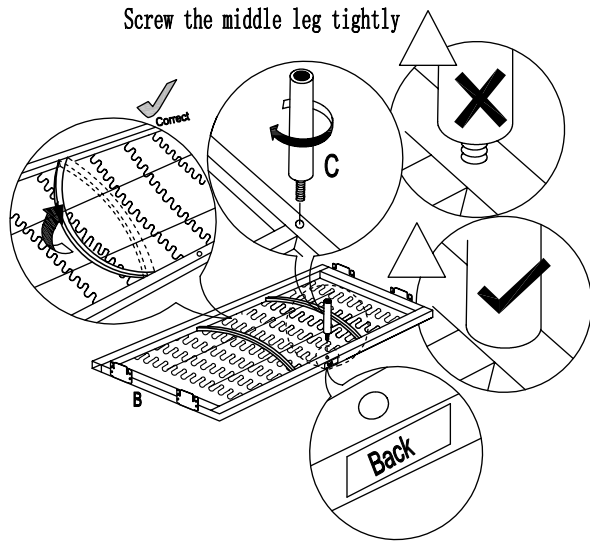
- 1** Attach Legs (F) to Arms (E) by hand turning threaded post into insert nut.



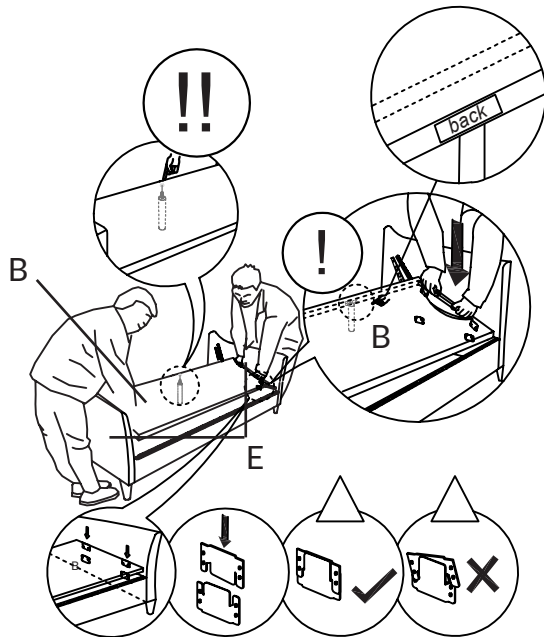
- 2** Attach Front Panel (D) to Arms (E) by slipping the bracket opening over the fixed post. Press down to click into place.



- 3** Attach Center Support Leg (C) to the Seat Deck (B) by hand turning threaded post into insert nut.



- 4** Attach the Seat Deck (B) to the Arms (E) by placing the two metal brackets on the Seat Deck (B) over the metal brackets on each Arm (E). The Seat Deck (B) will lock into place.



- 5** Attach the Backrest (A) to the Arms (E) by sliding the brackets on the Backrest (A) into the glides on the Arms (E).

