

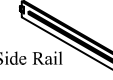
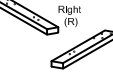







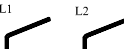




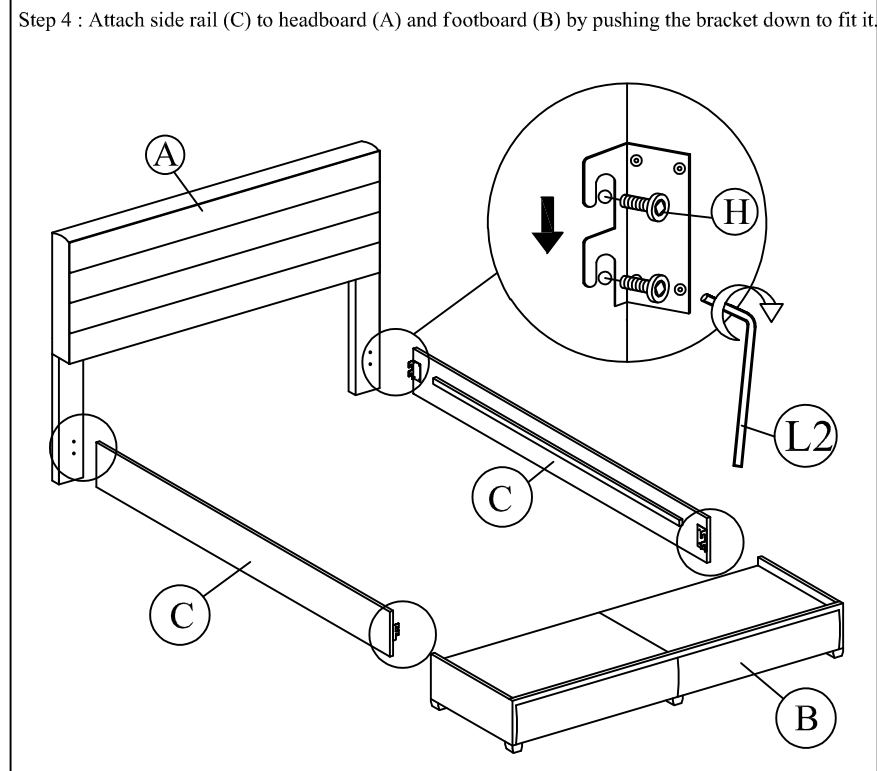
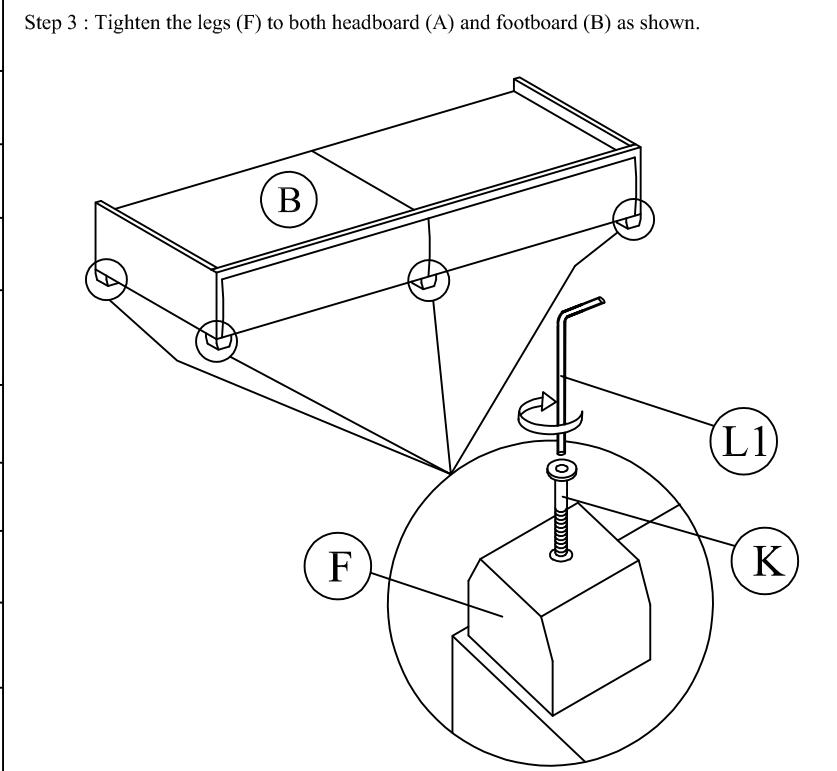
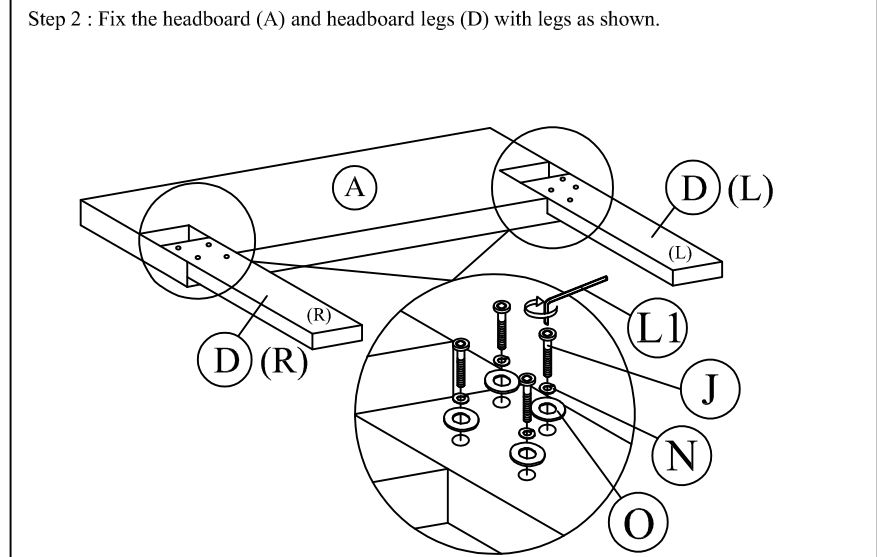
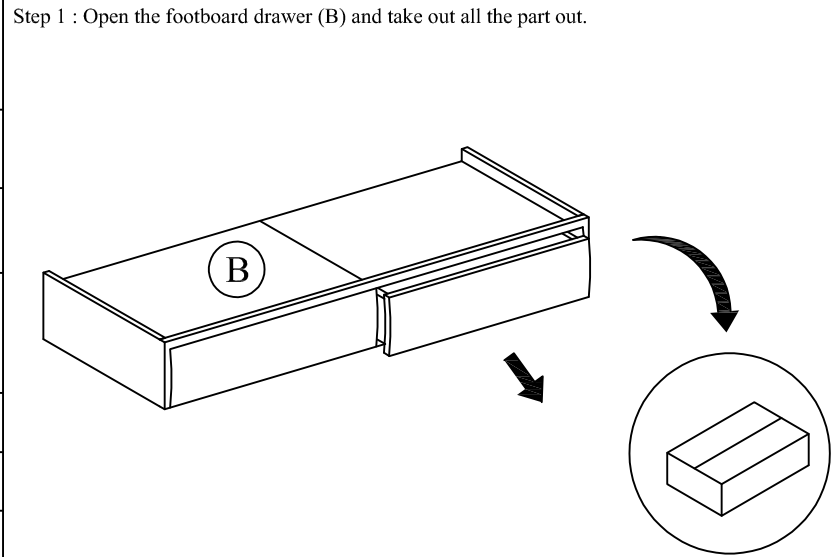


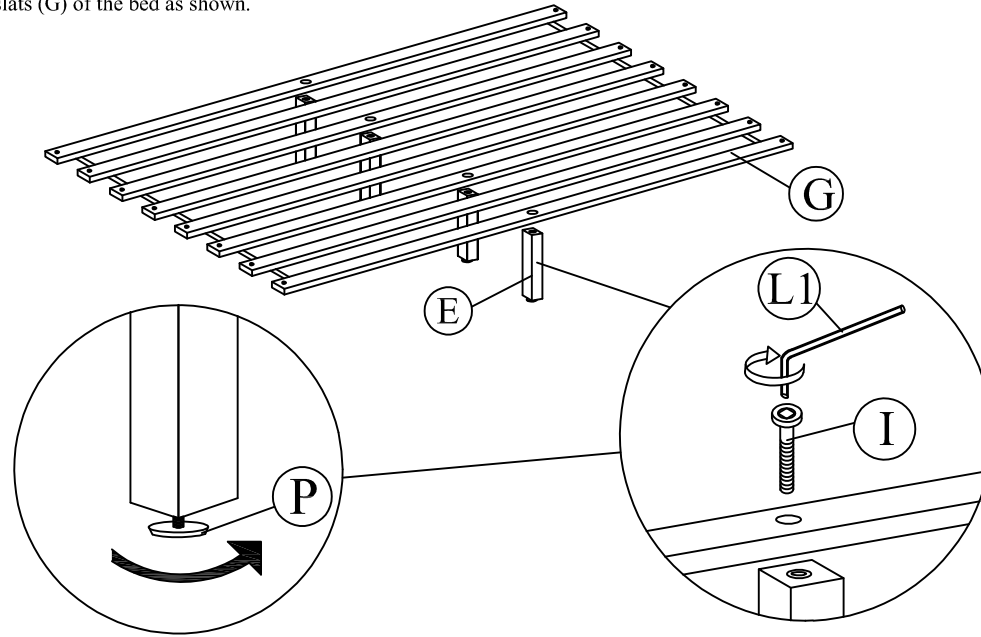
ASSEMBLY INSTRUCTION

(4'6" & 5')

A		1 pc
B		1 pc
C		2 pcs
D		2 pcs
E		4 pcs
F		5 pcs
G		8 pcs
H		8 pcs
I		4 pcs
J		8 pcs
K		5 pcs
L		1 pc
M		16 pcs
N		8 pcs
O		8 pcs
P		4 pcs



Step 5 : Attach the support legs (E) to the slats (G) of the bed as shown.



Step 6 : Affix the Slat (G) to the side rail support wood. Tighten all the 4 corner.

