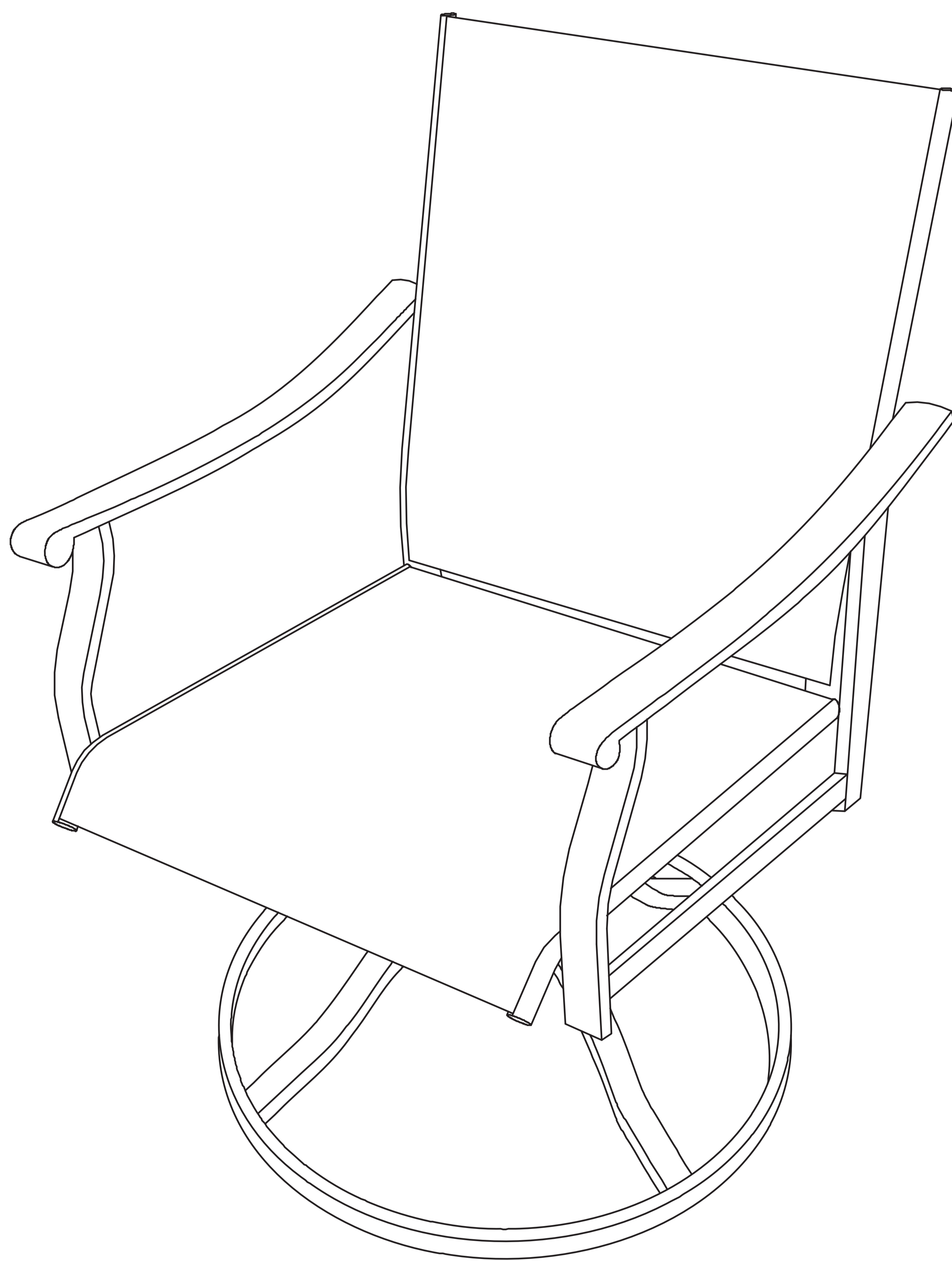


# SOOHOW

## **Assembly Manual** **Outdoor Dining Chair**

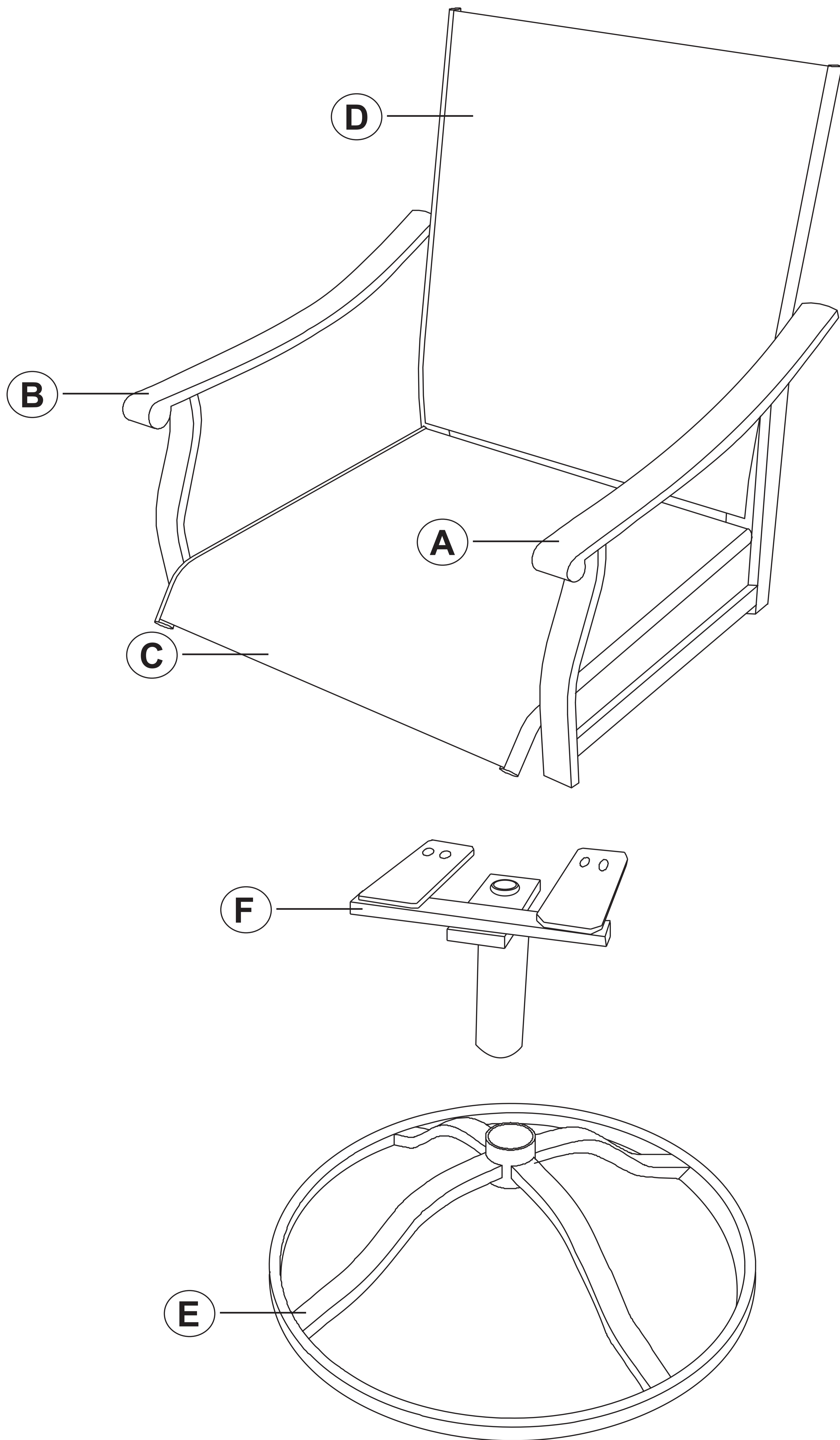
DC069



Please read this manual carefully before any operation and keep it properly for future use.

If any problems on our product, please feel free to contact us at [ecservice@isunon.com](mailto:ecservice@isunon.com) .

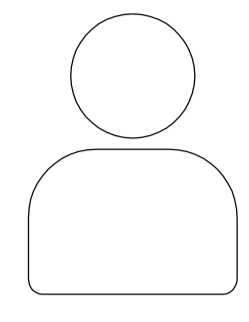
# Exploded View



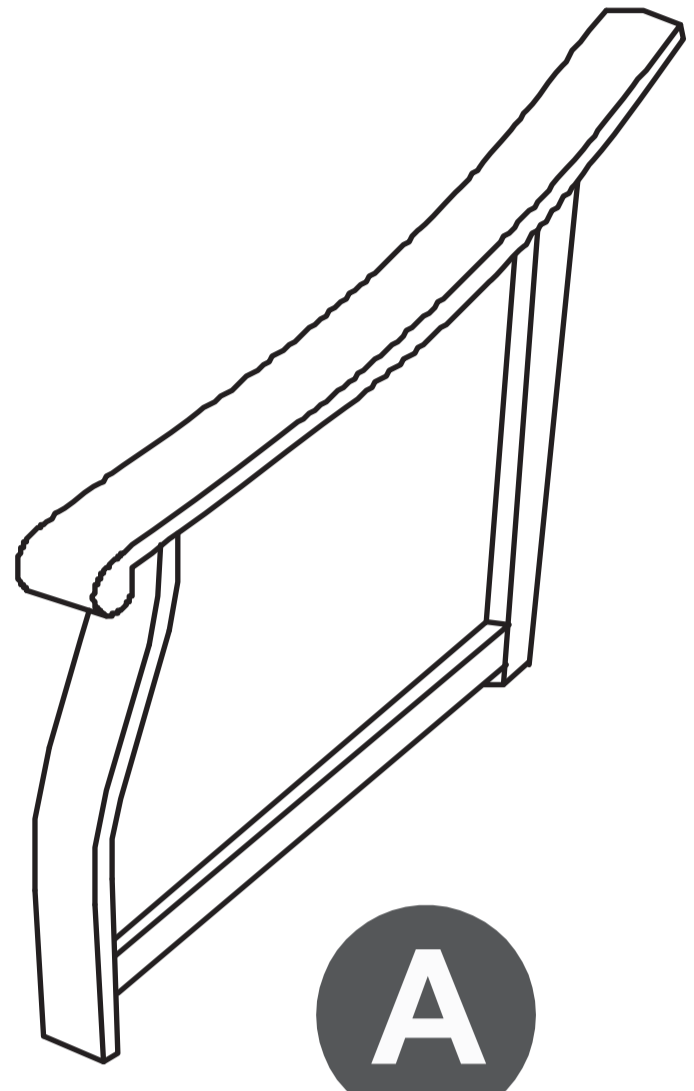
# Components List

**30** min

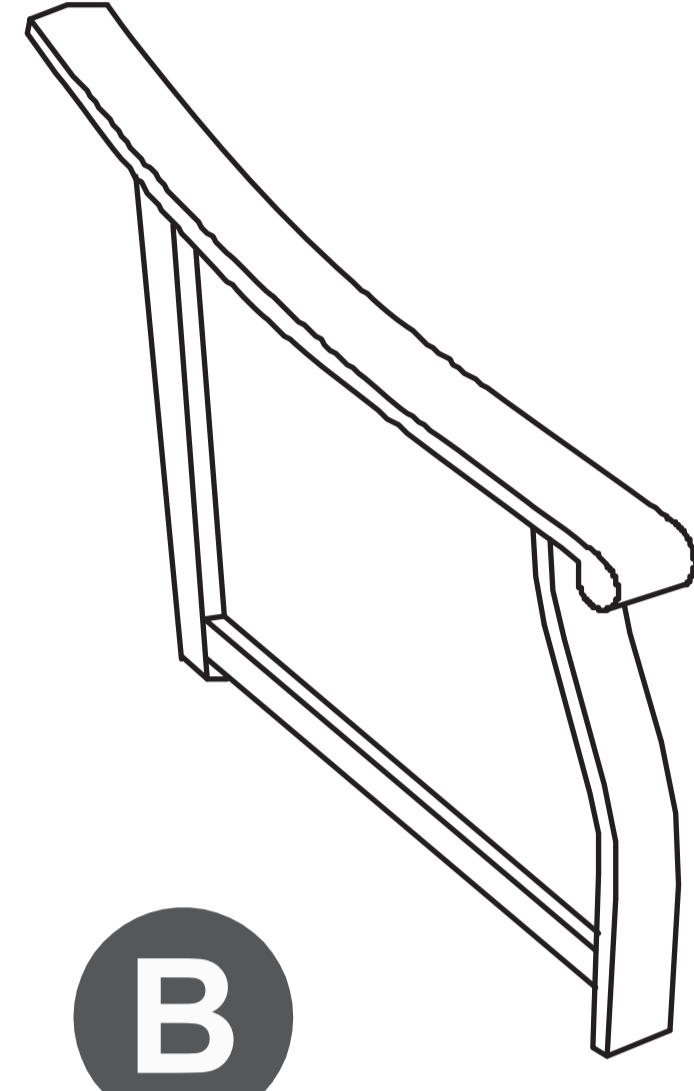
Assembly Time



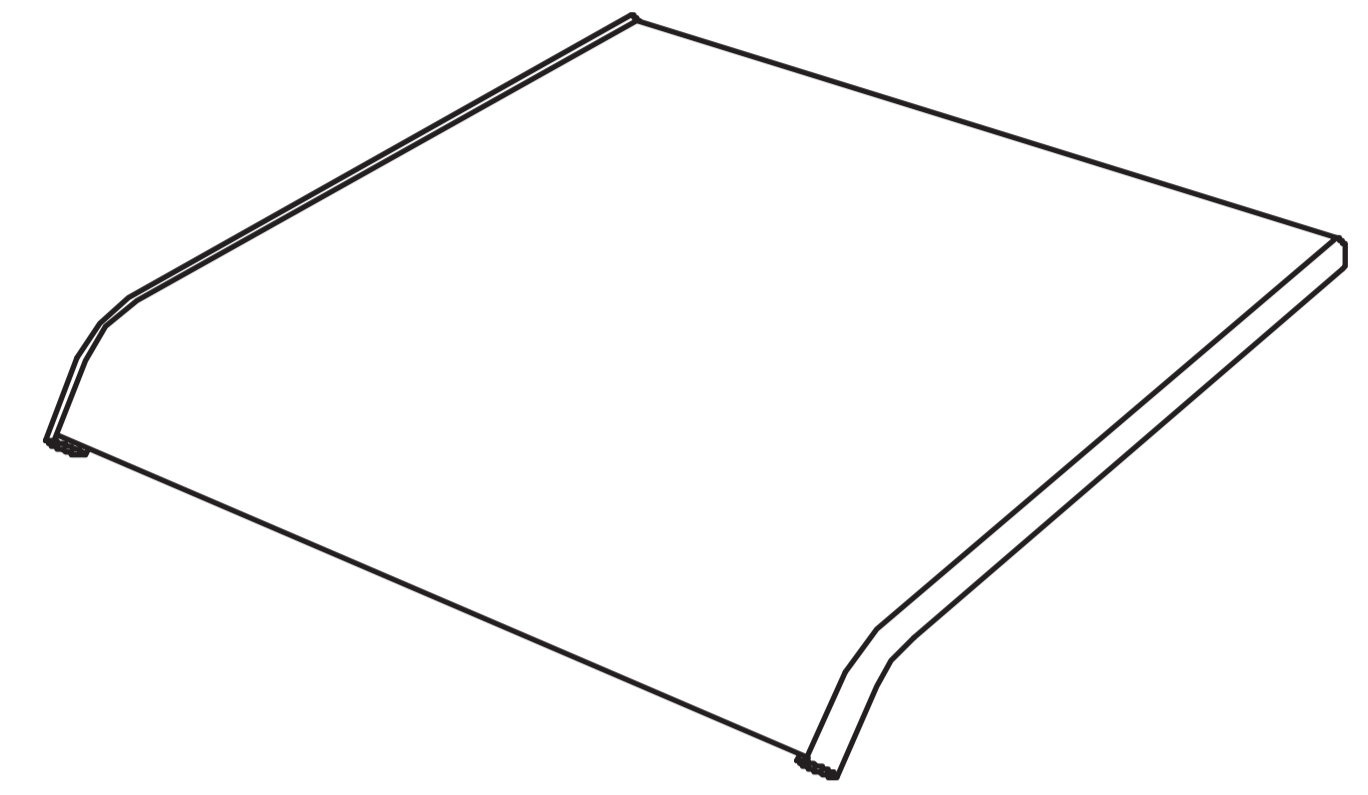
One People



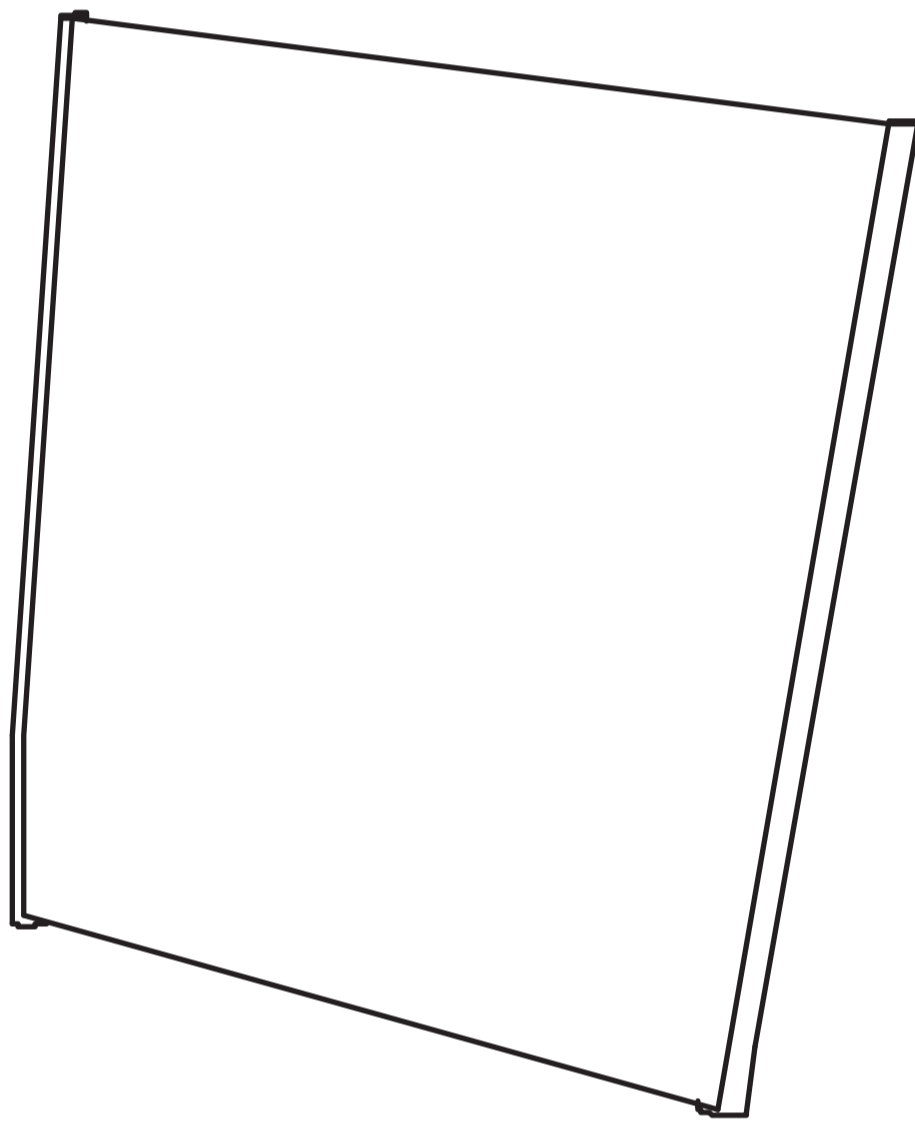
Left Armrest (x2)



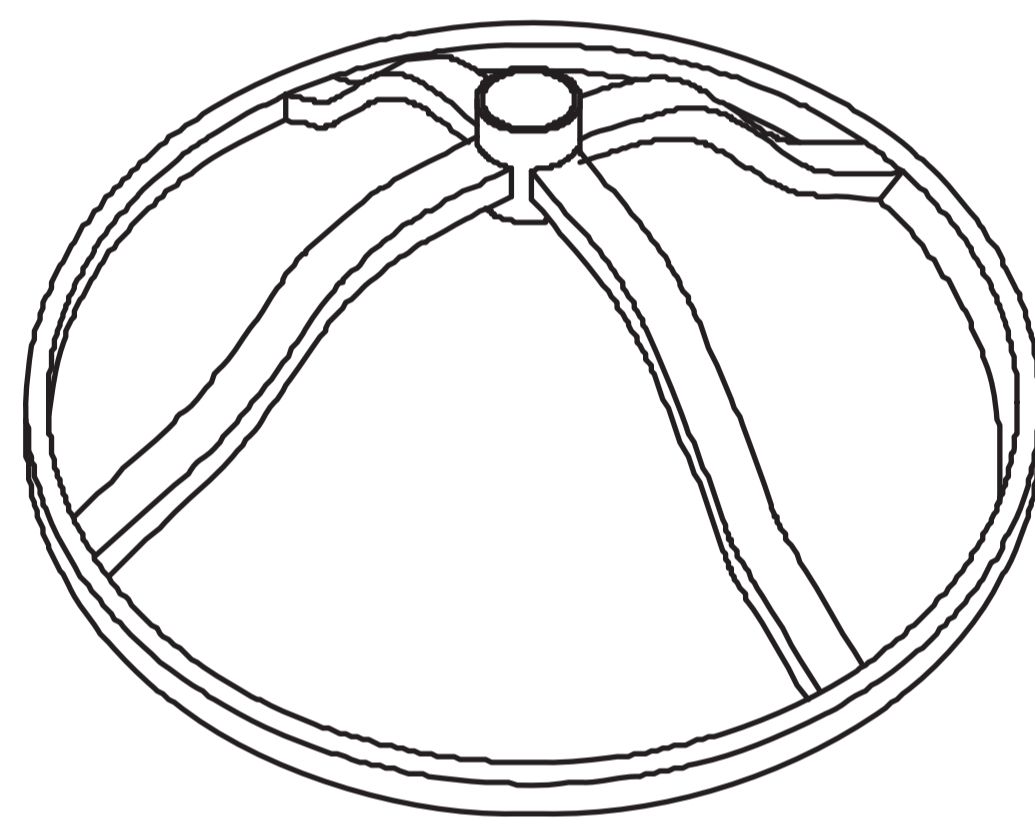
Right Armrest (x2)



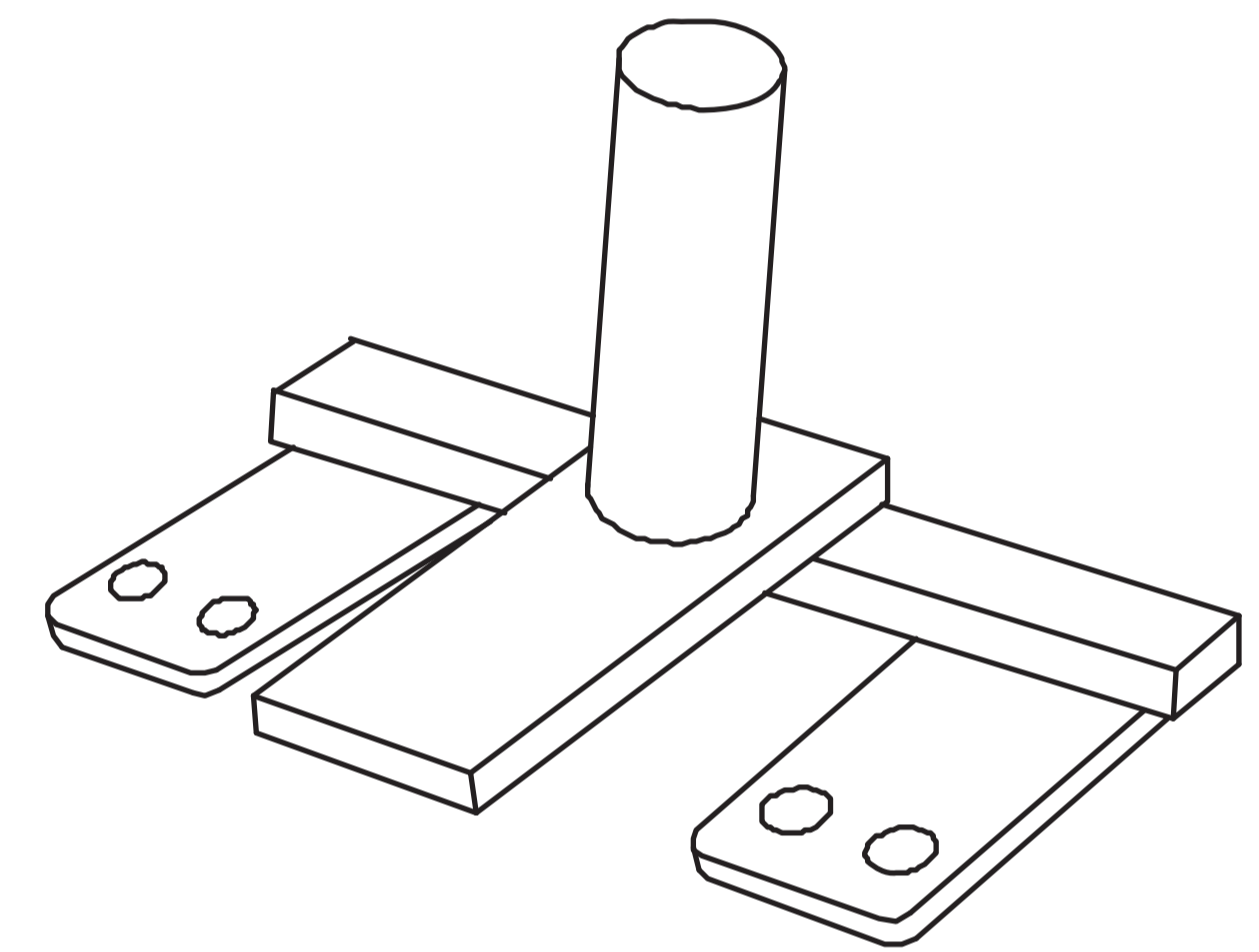
Chair Seat (x2)



Chair Backrest (x2)

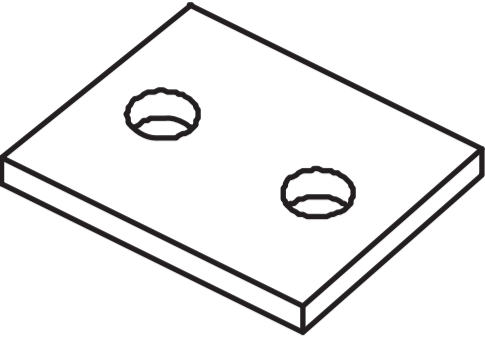
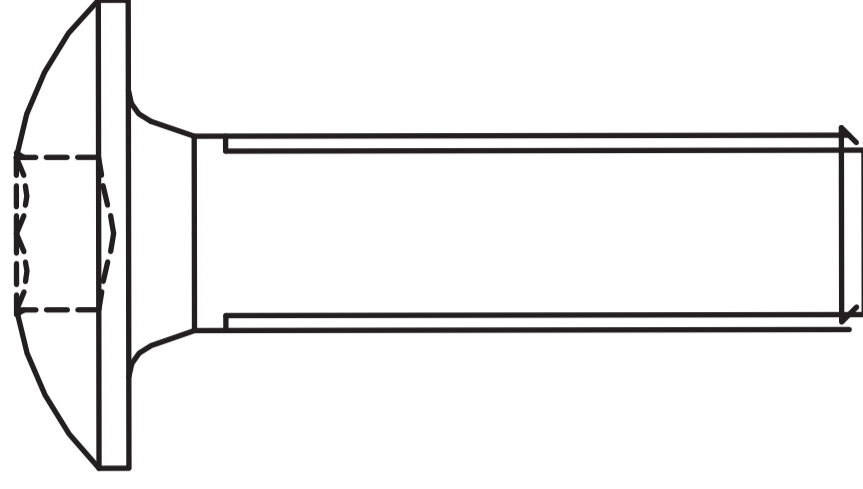
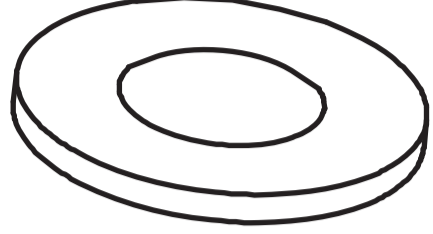
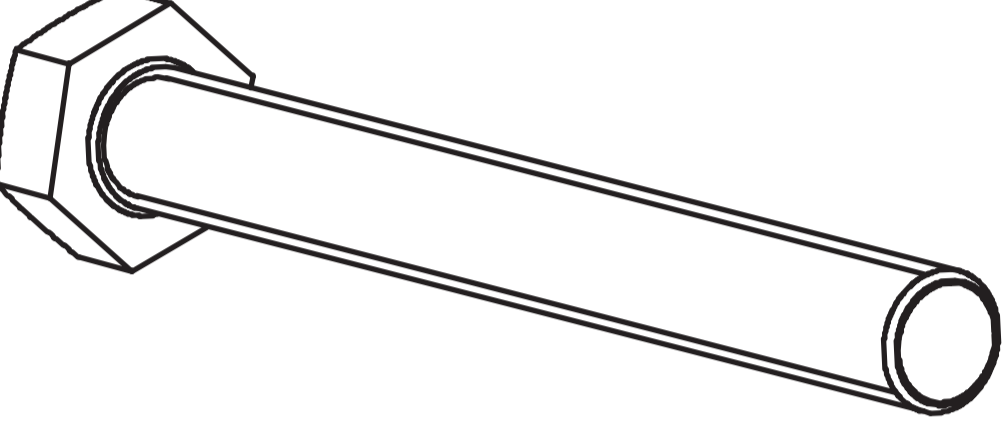
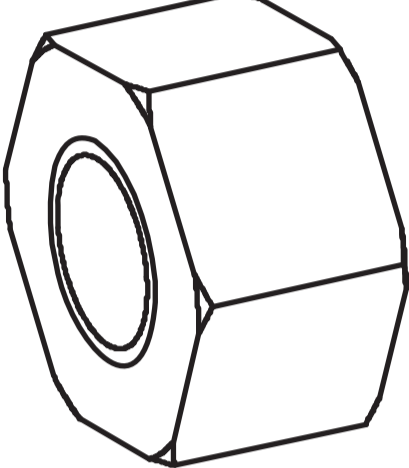
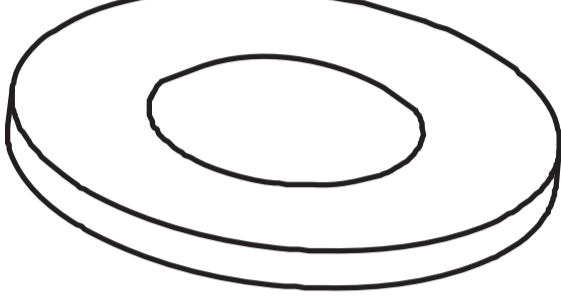

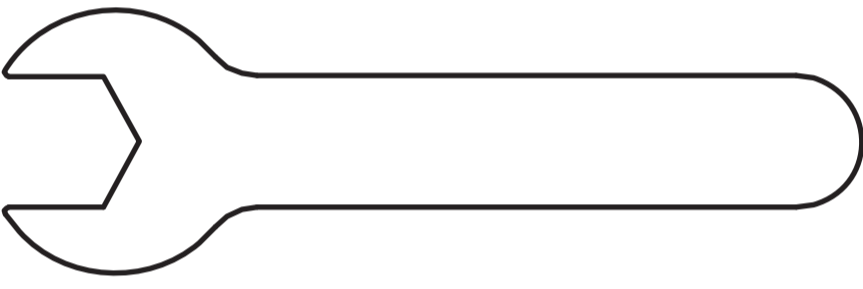


Base support (x2)



Swivel Connector (x2)

# Components list

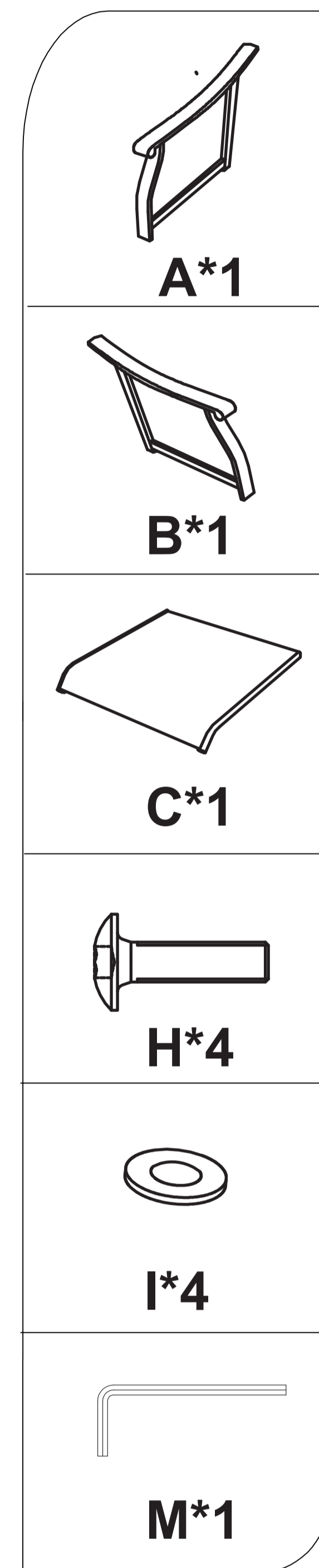
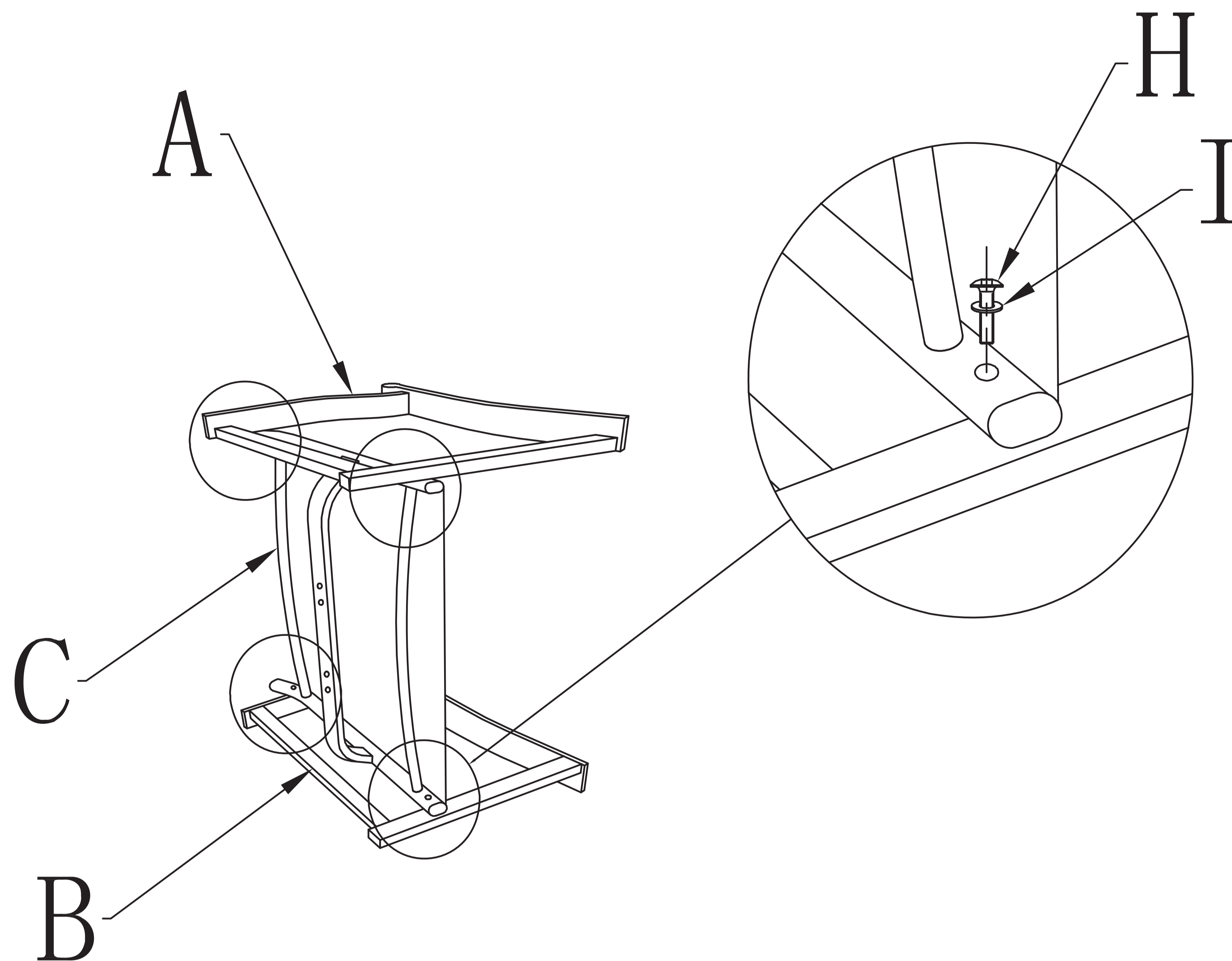
<b>G</b>			<b>H</b>			<b>I</b>		
								
Iron plate		4	Bolt	M6x35	16+1	Washer	M6	16+1
<b>J</b>			<b>K</b>			<b>L</b>		
								
Bolt	M8x35	8+1	Nut	M8	8+1	Washer	M8	16+1
<b>M</b>			<b>N</b>					
								
Allen wrench	M6	1	wrench	M8	2			

Note: The number after “+” sign indicates the extra piece(s).

# Assembly Instruction

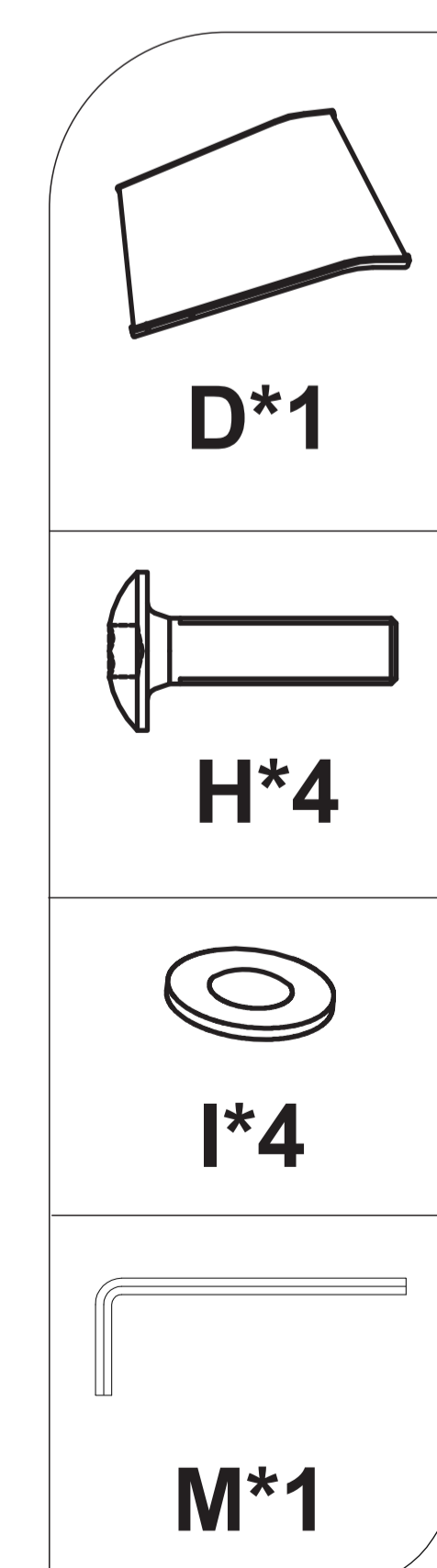
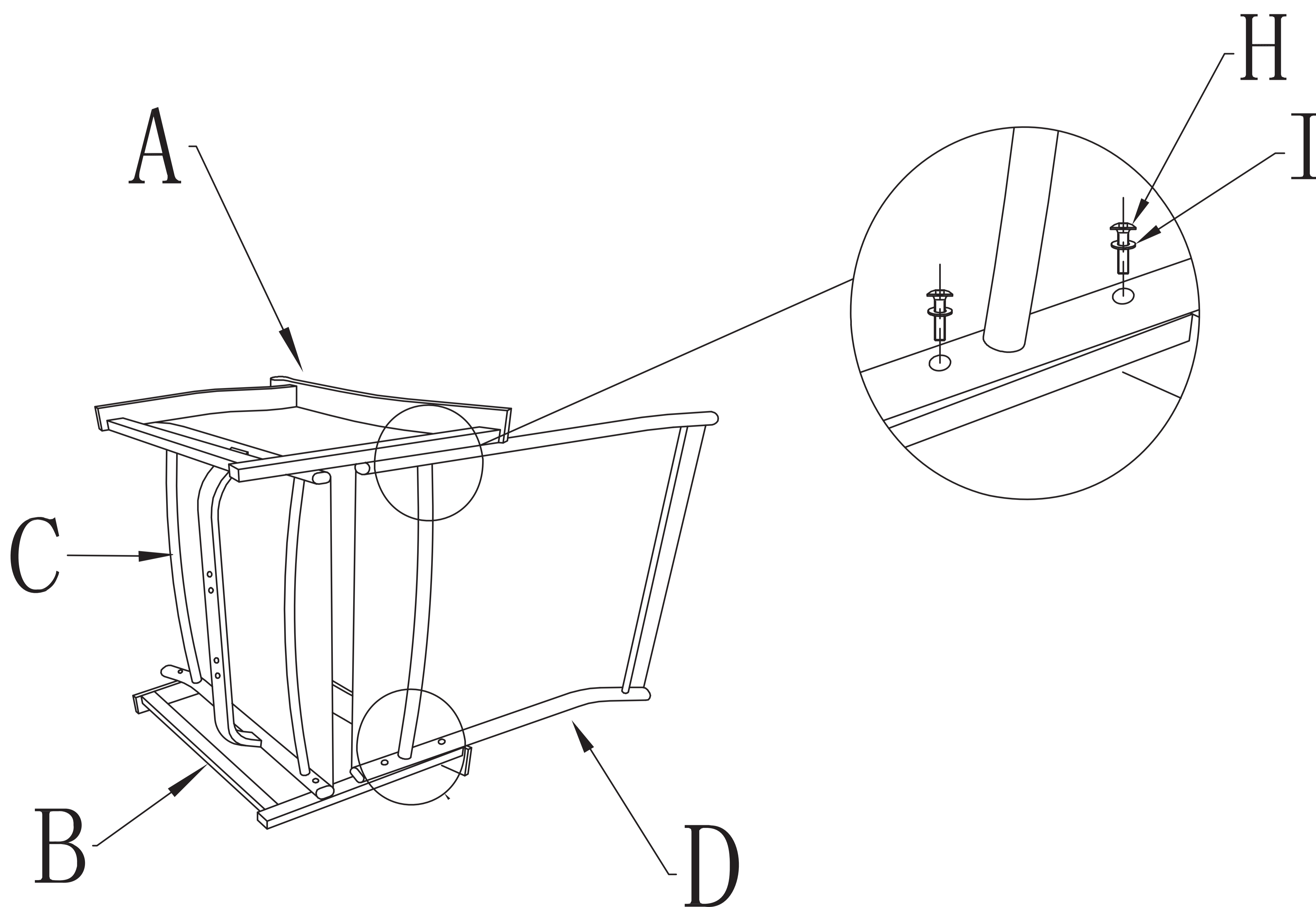
## STEP 1

Attach the part A left armrest and part B right armrest to the part C chair Seat with four part H bolts and four part I washers, two bolts and two washers per armrest. Tighten all the screws 50% so that you can adjust slightly during the process of assembly.



## STEP 2

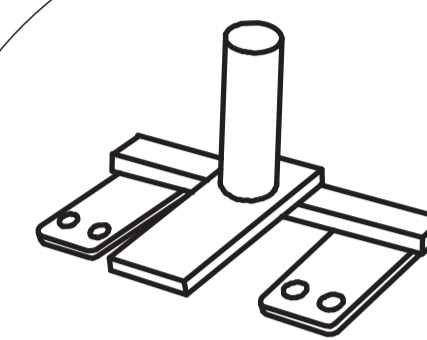
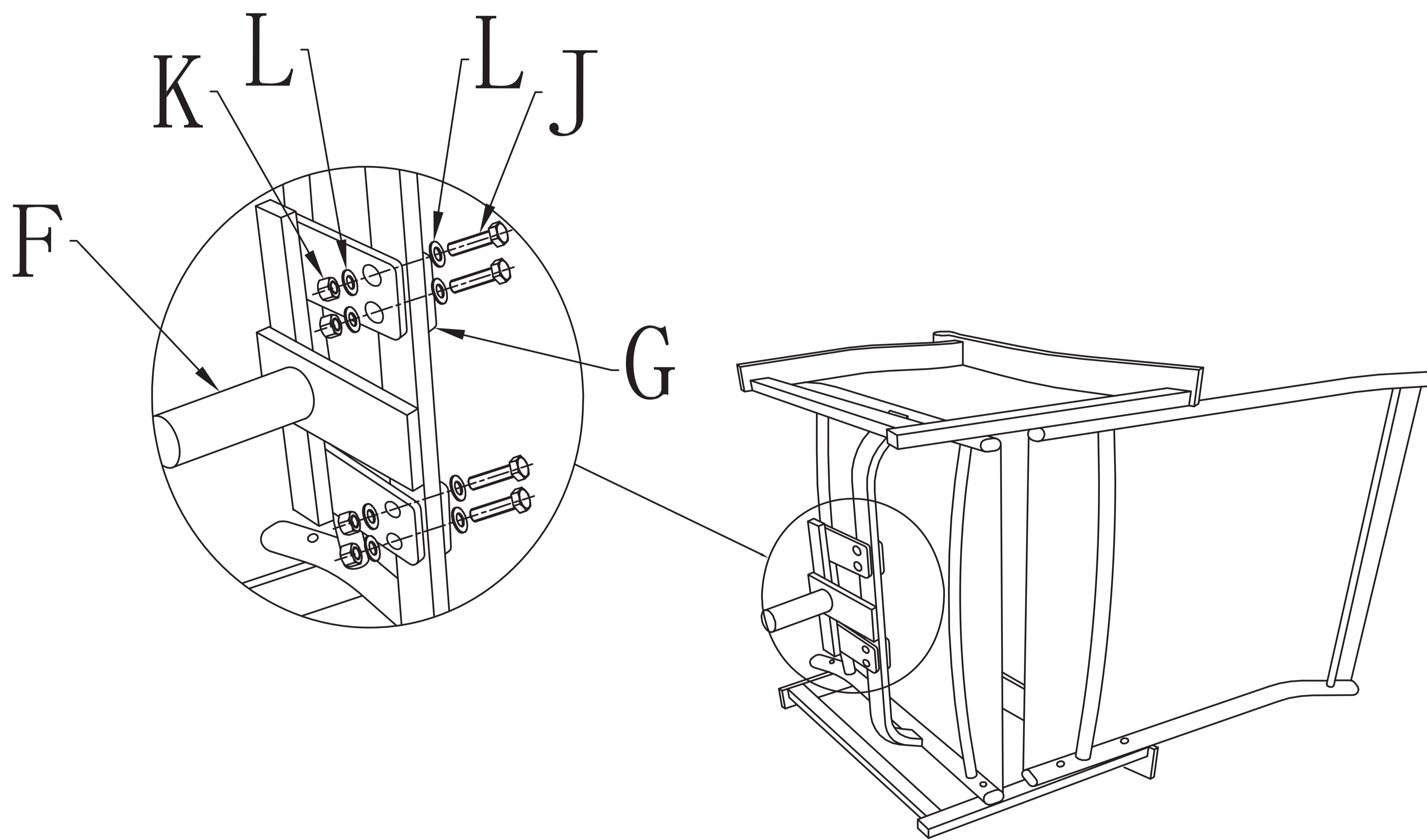
Attach the part D chair backrest to the part A+B armrests seat with four part H bolts and four part I washers, Tighten all the screws 50% so that you can adjust slightly during the process of assembly.



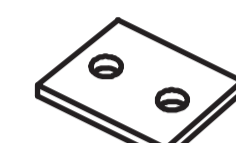
# Assembly Instruction

## STEP 3

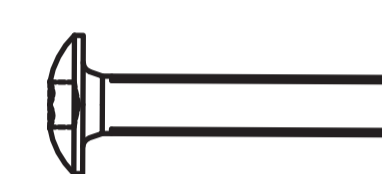
Attach the part F Swivel Connector to the Chair Seat back with two part G iron plate and four part J bolts and eight part L washers and four part K nuts, using two part N wrenches. Tighten all the screws 50% so that you can adjust slightly during the process of assembly



F\*1



G\*2



J\*4



L\*8



K\*4



N\*2

## STEP 4

Tighten all bolts fully. Attach the seat frame to the part E base support. If you find the chair not level, please adjust by rotating the feet pads on the legs. Repeat steps 1-4 to assemble a second chair.

