

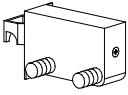
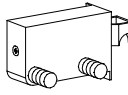
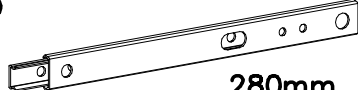


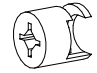
G34  
  
 3,5x16 x...(1)


A1  
  
 Ø7x50 x...(2)

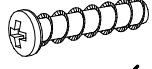
U9L  
  
 x...(1)


U9R  
  
 x...(2)

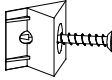
H3  
  
 280mm x...(4)


K14  
  
 Ø15x19 x...(2)

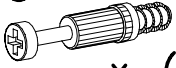
K1  
  
 Ø15x12 x...(8)


G55  
  
 6x22 x...(6)

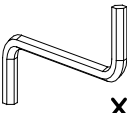
N1  
  
 M4x9 x...(4)

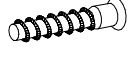
I1  
  
 x...(4)


W1  
  
 GLUE, LEIM, LEPIDLO, LIM  
 x...(1)

K10  
  
 x...(10)

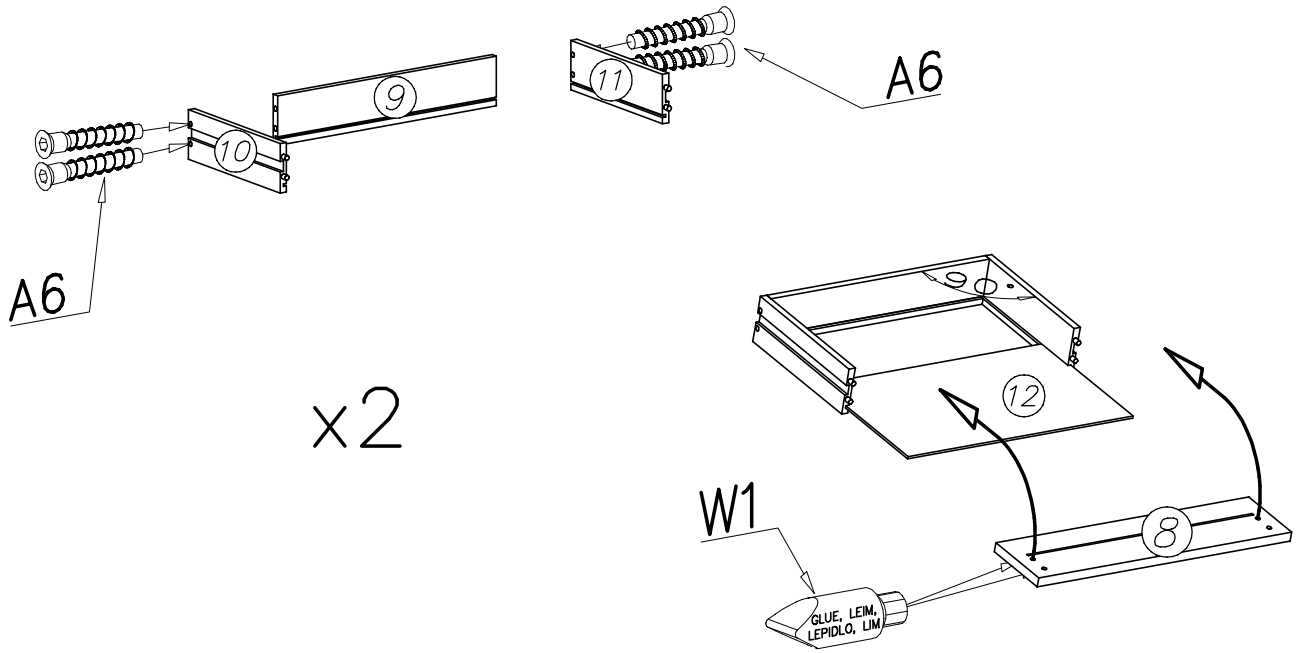
G50  
  
 6x13 x...(8)

W2  
  
 x...(1)

A6  
  
 Ø7x40 x...(8)

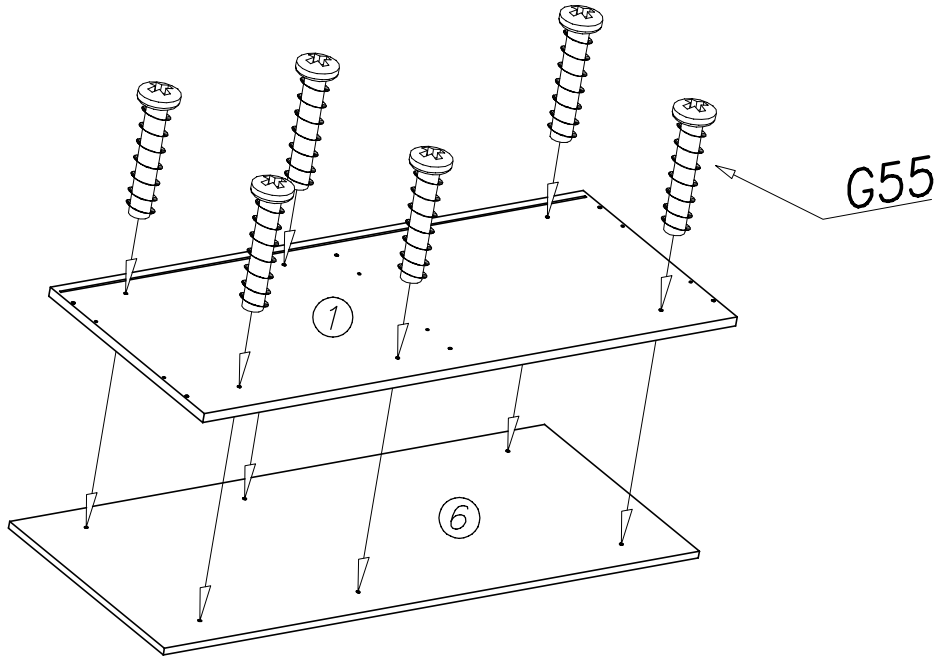
B2  
  
 Ø6x35 x...(12)

I

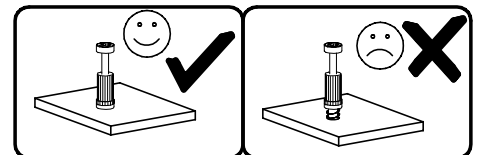
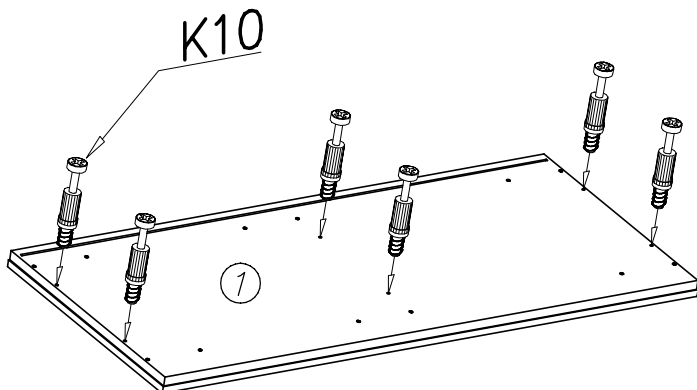


x2

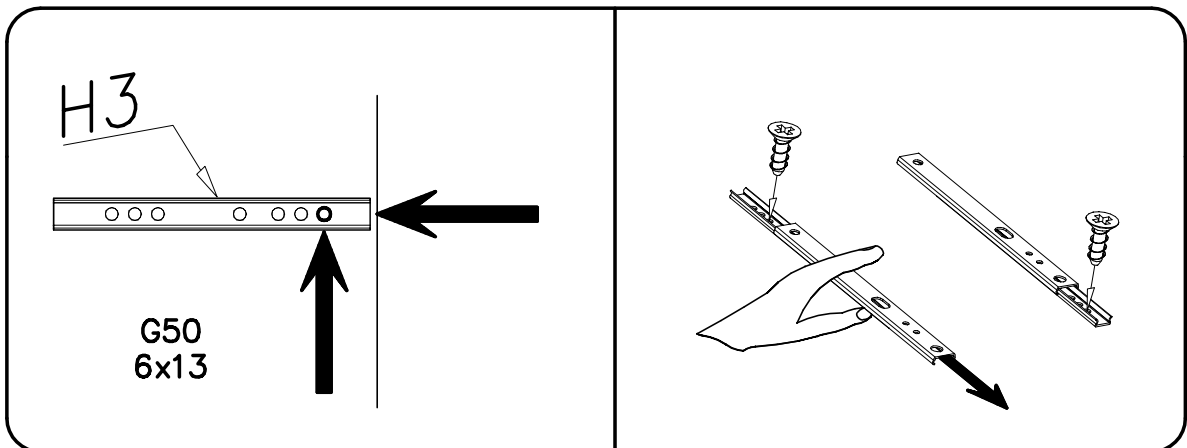
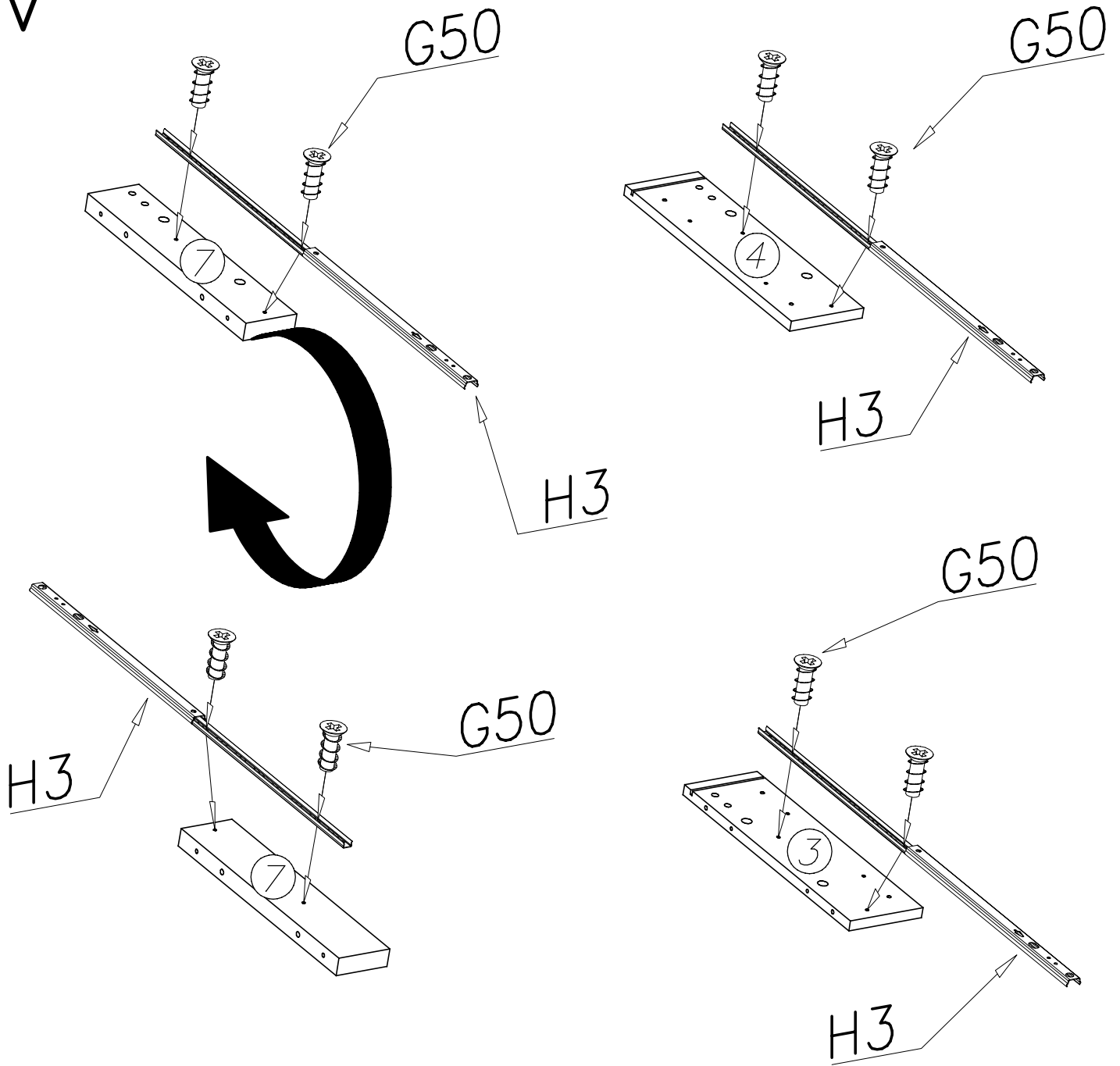
II



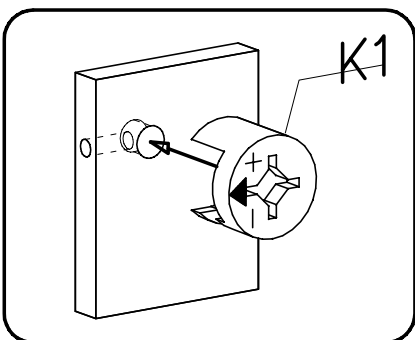
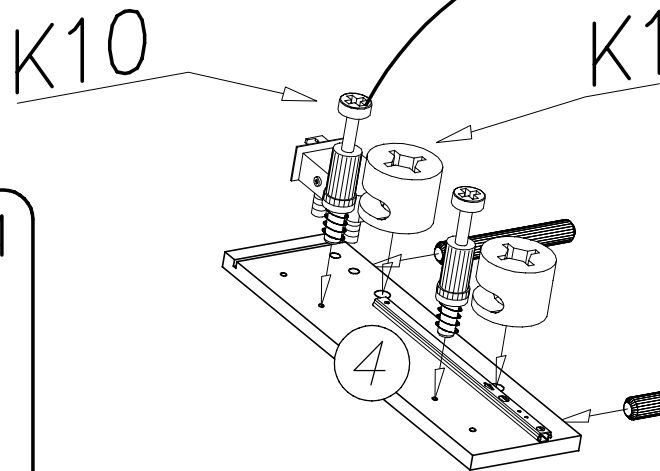
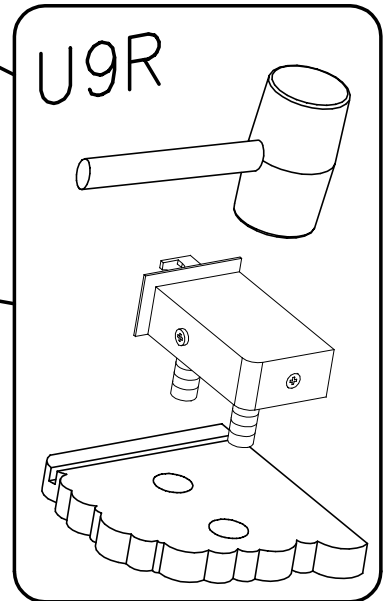
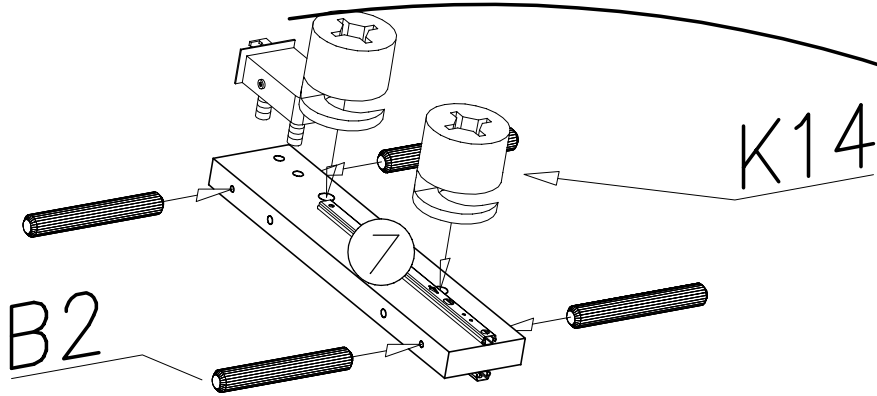
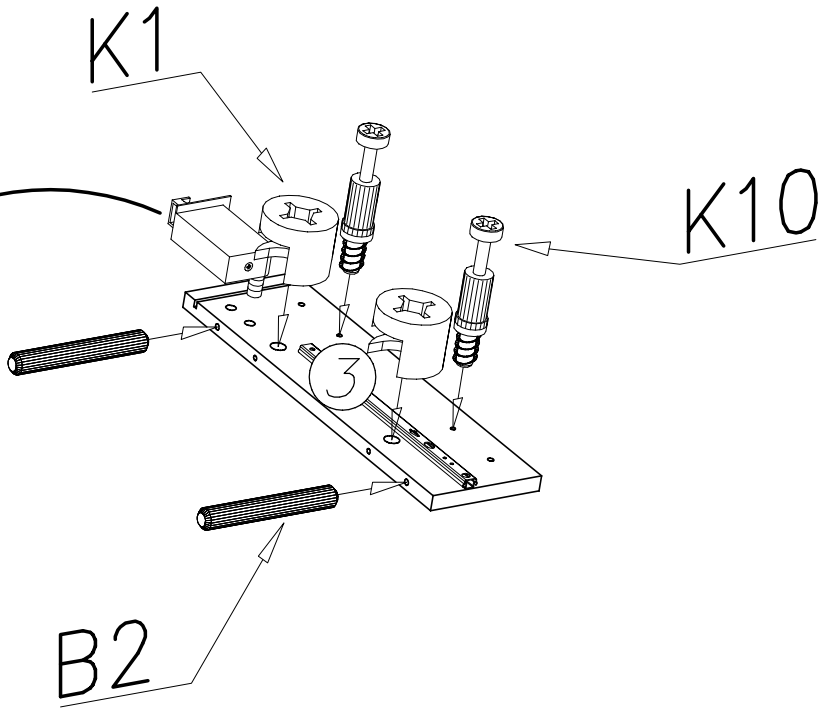
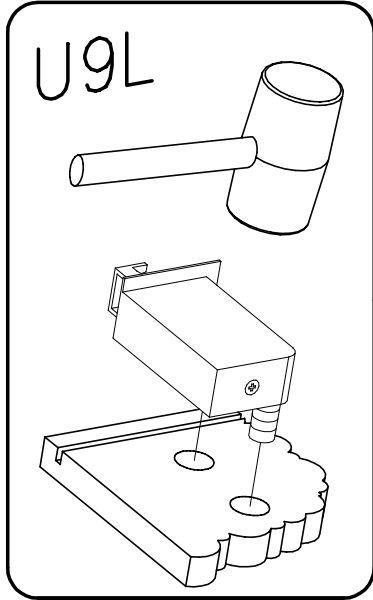
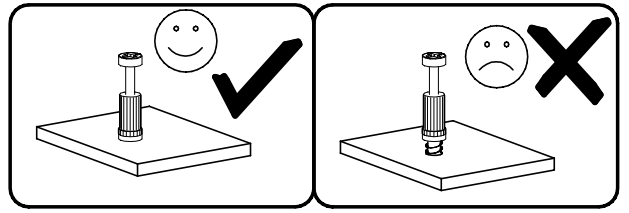
III



IV

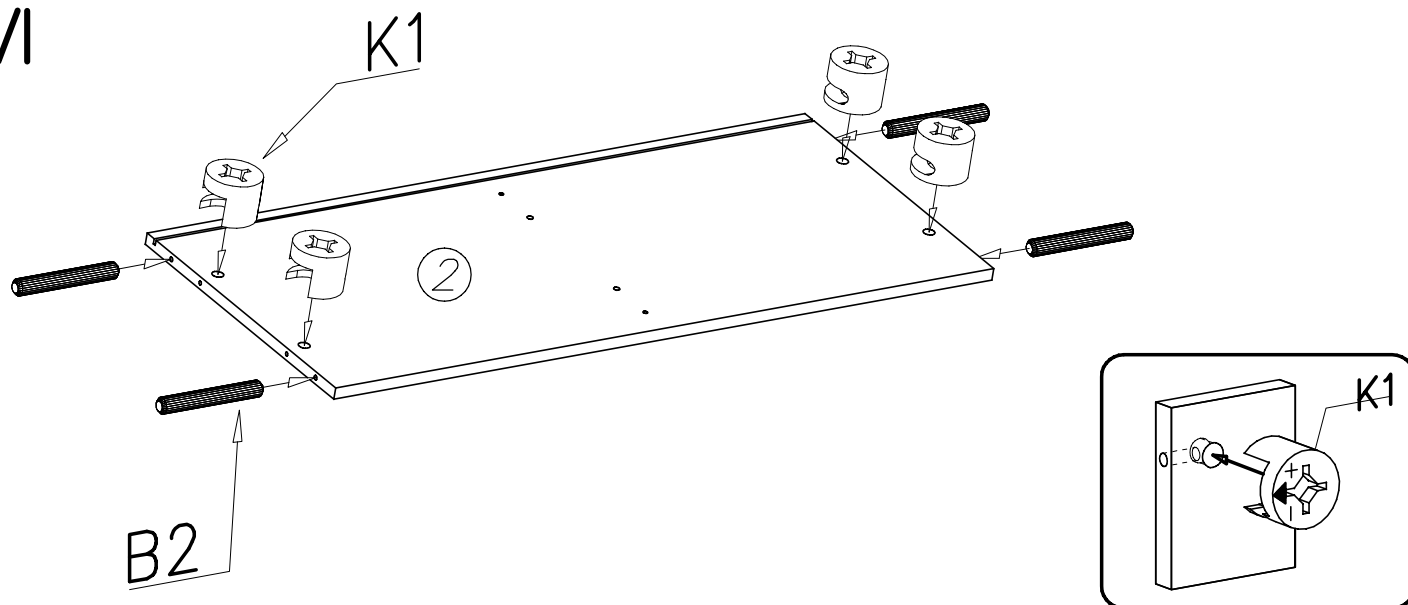


V

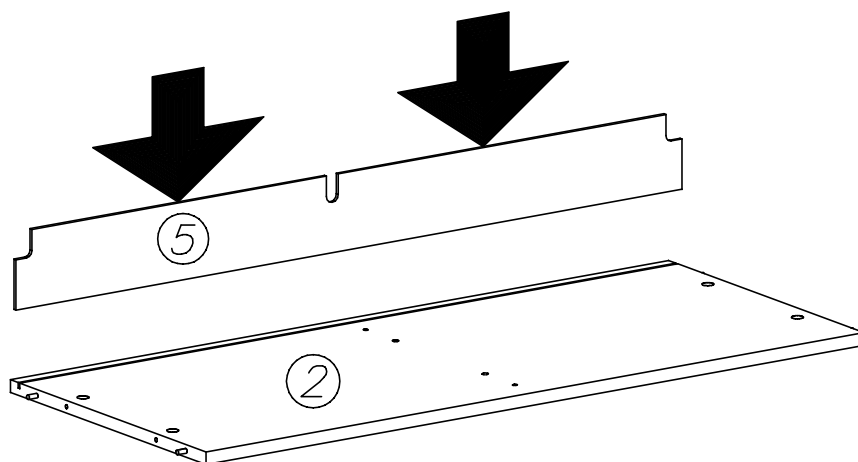


B2

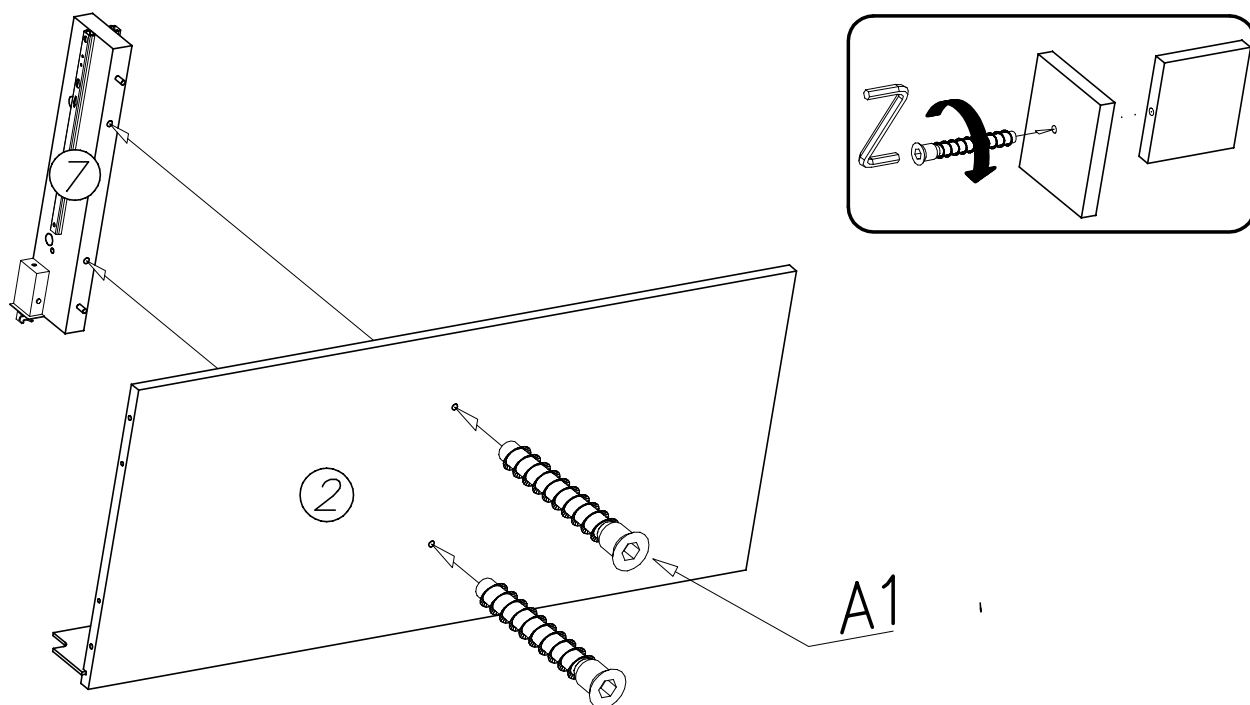
VI



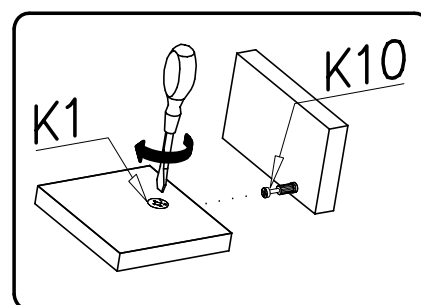
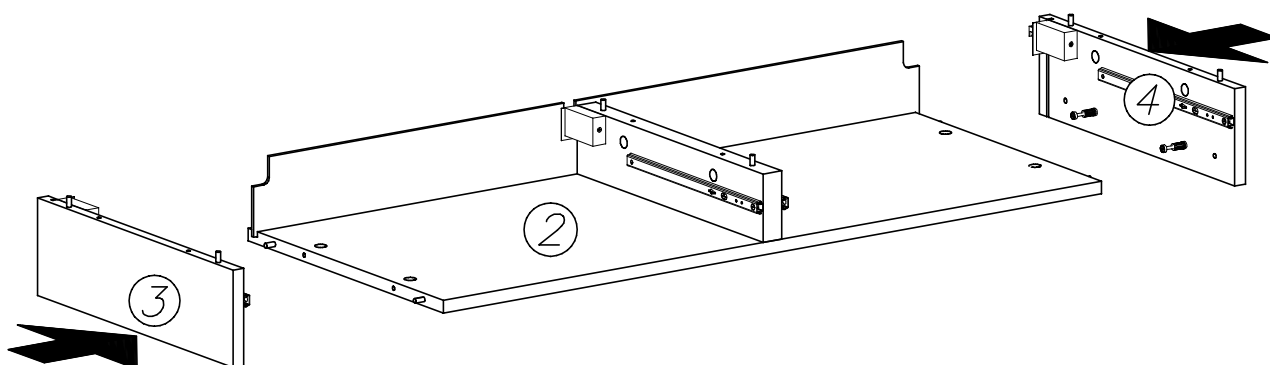
VII



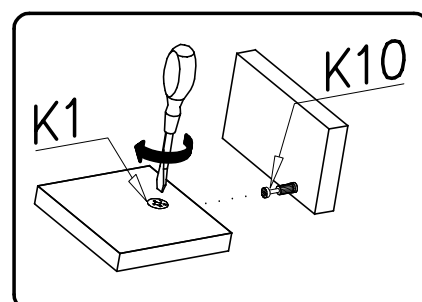
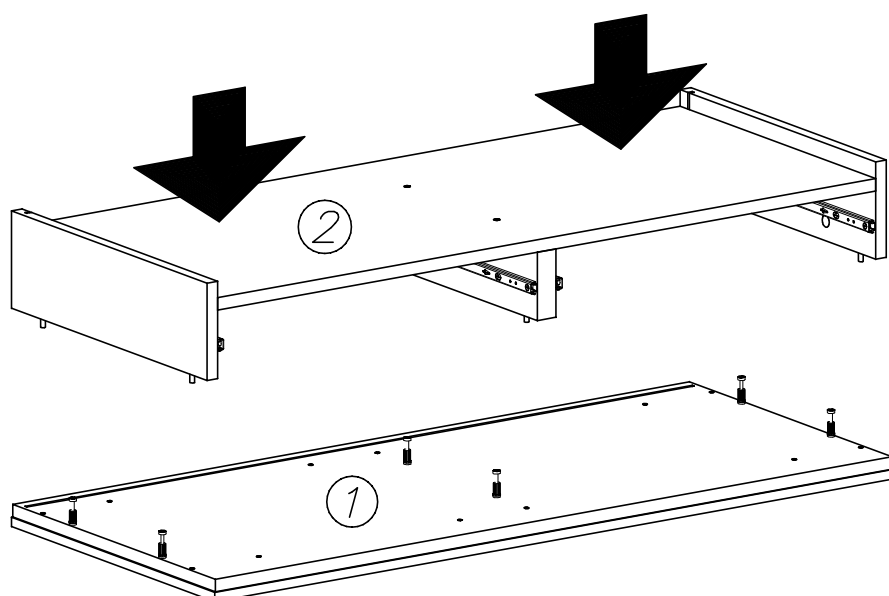
VIII



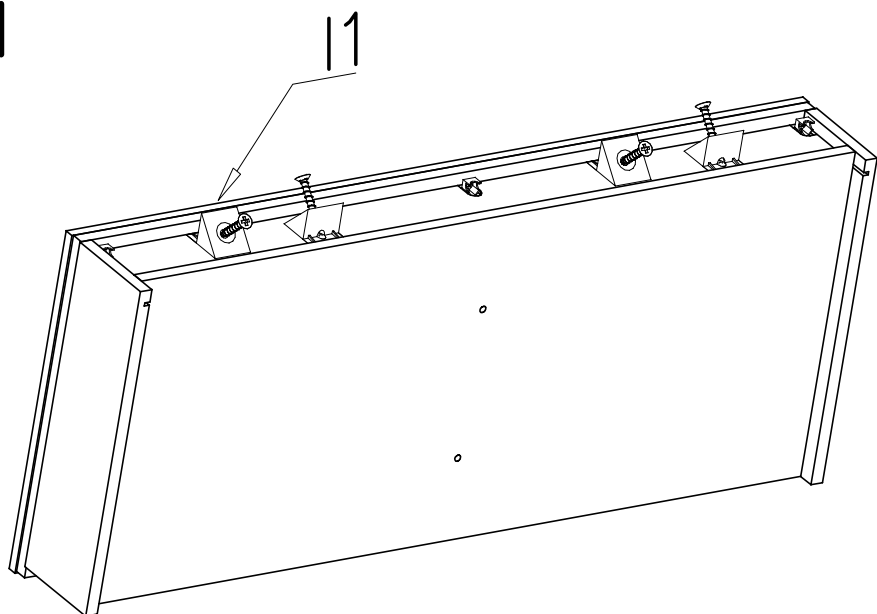
IX



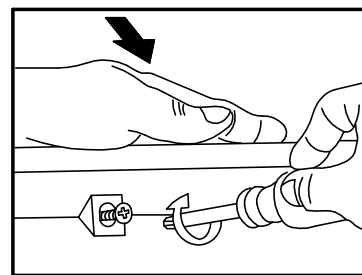
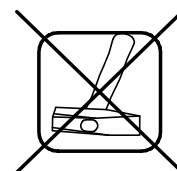
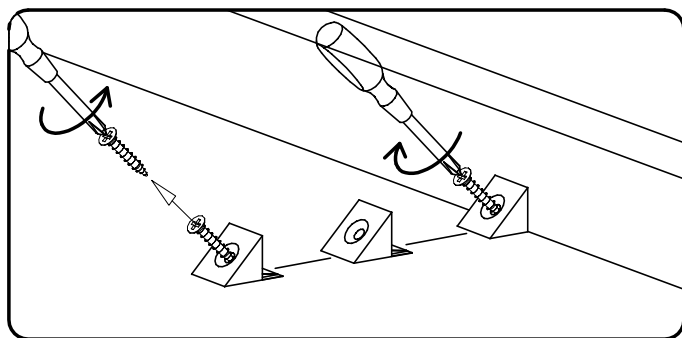
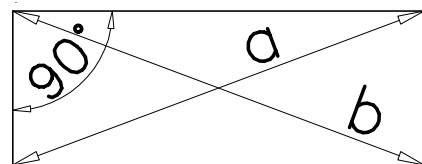
X



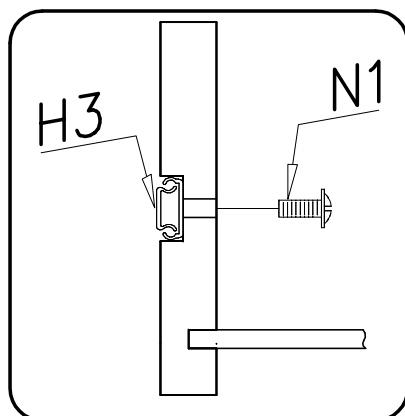
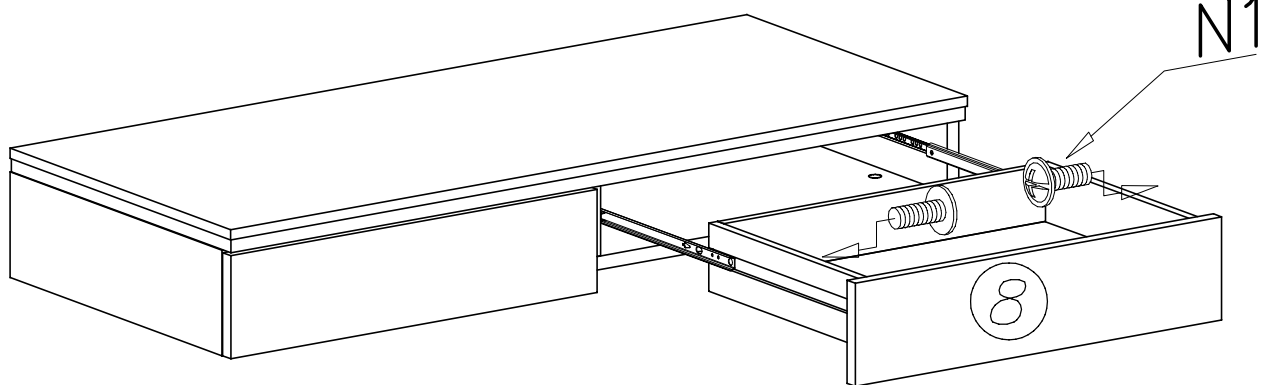
XI



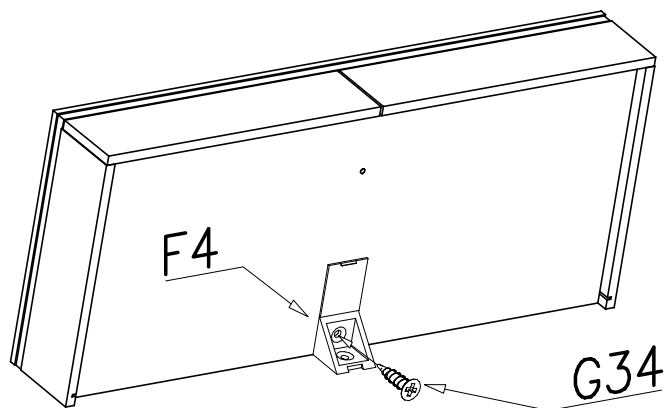
$a=b$



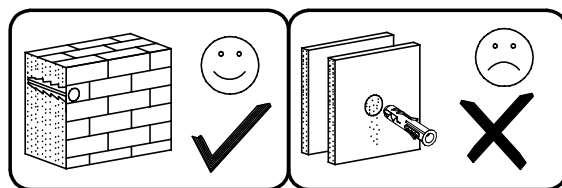
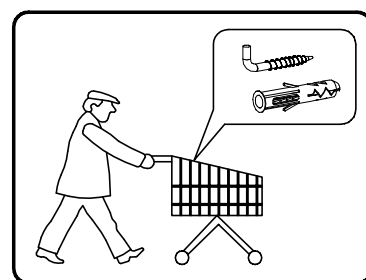
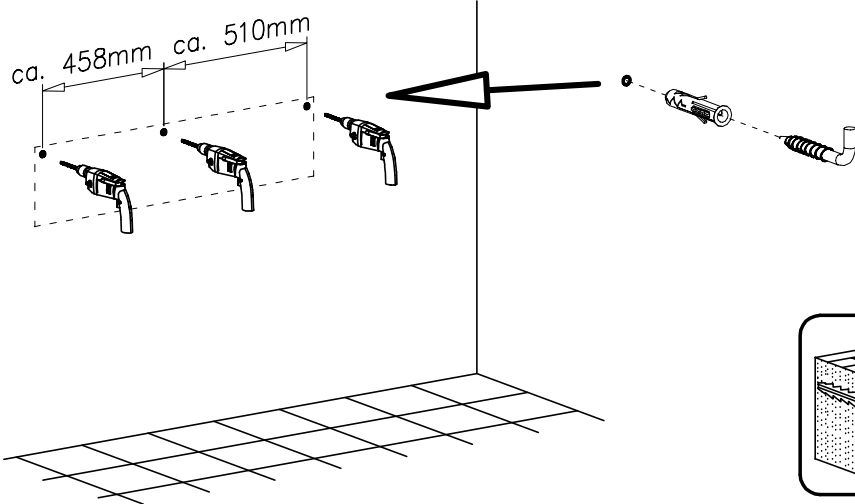
XII



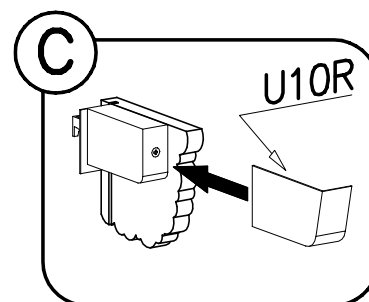
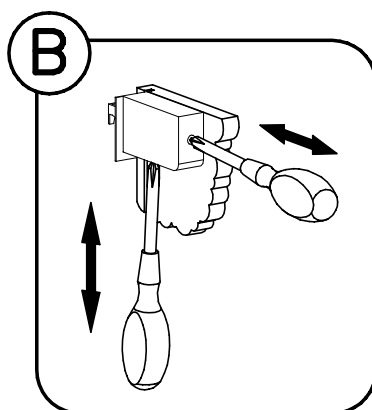
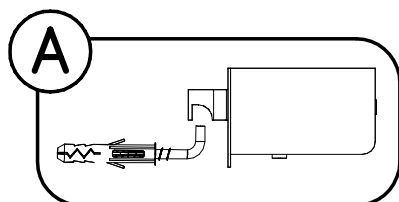
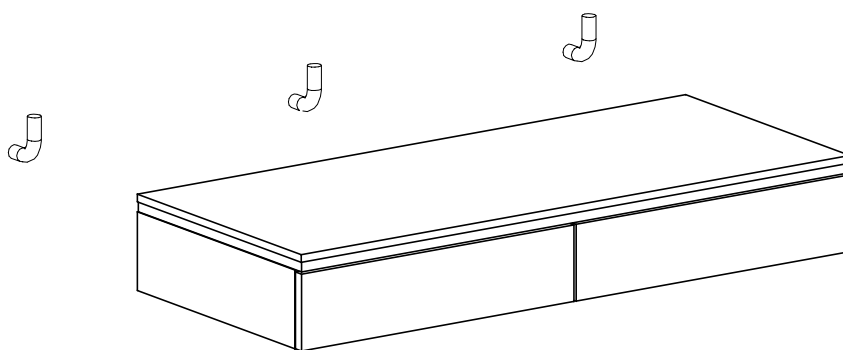
XIII



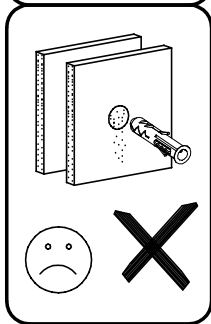
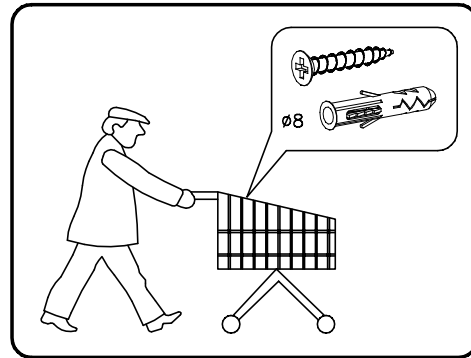
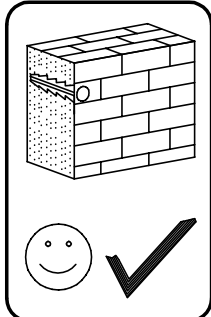
XIV



XV

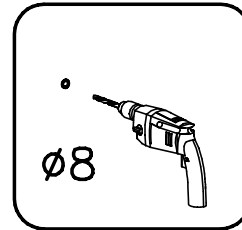
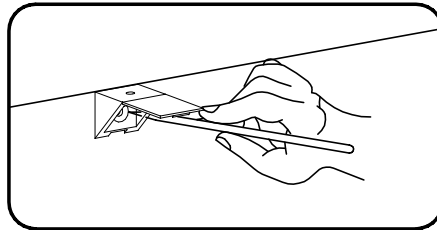


# XVI



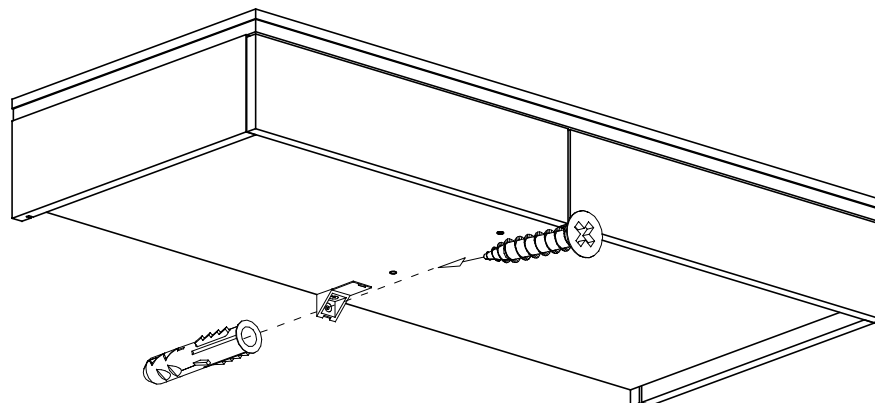
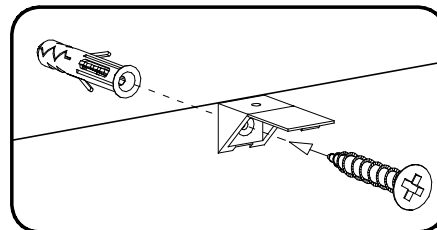
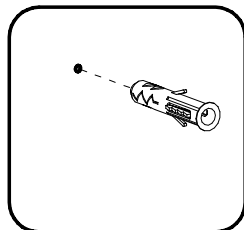
1

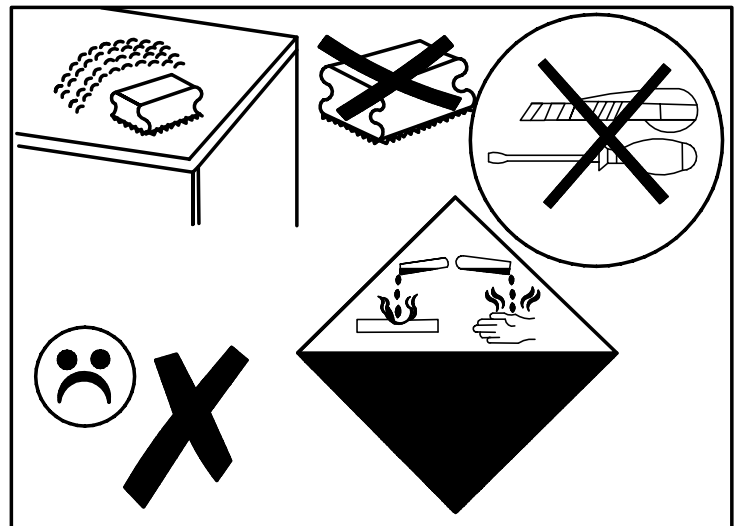
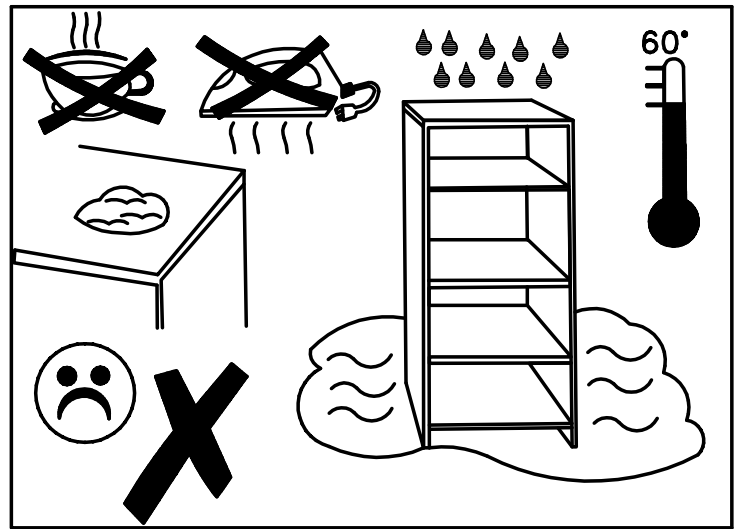
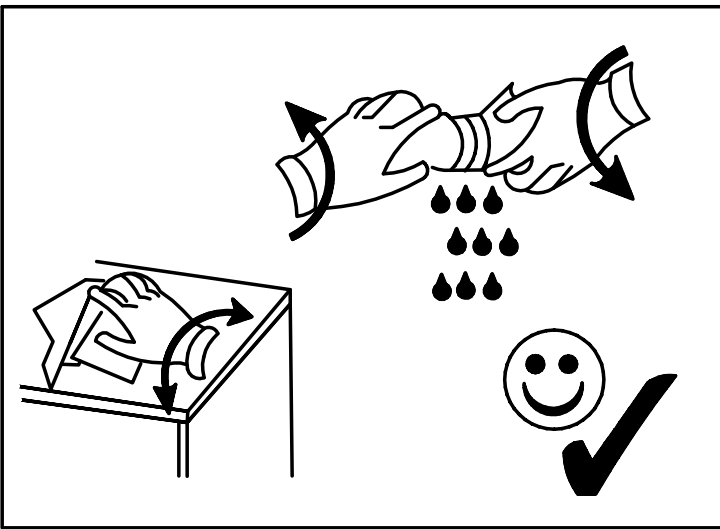
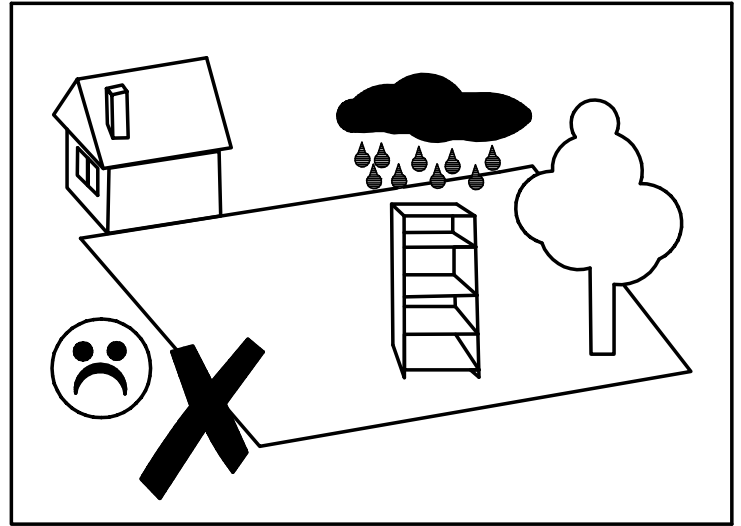
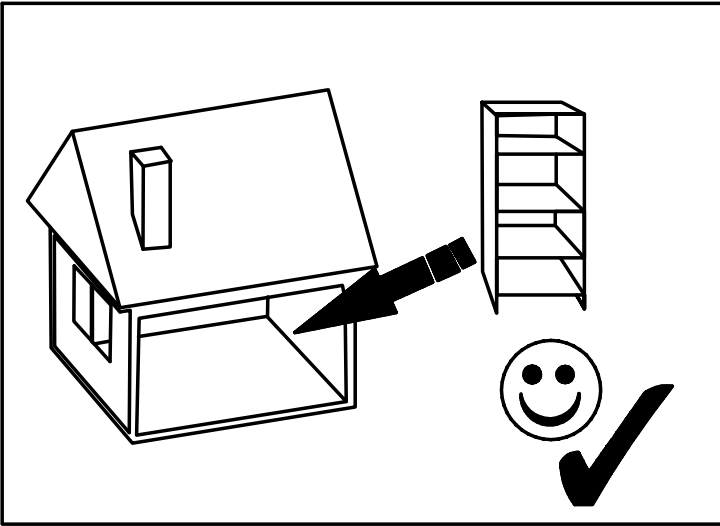
2

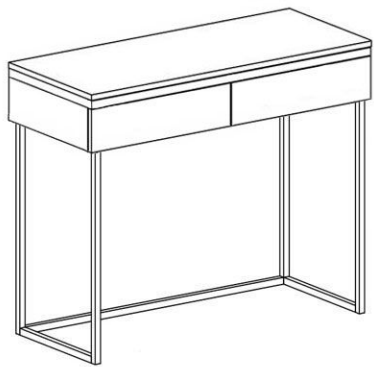


3

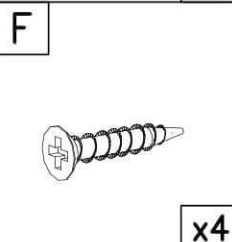
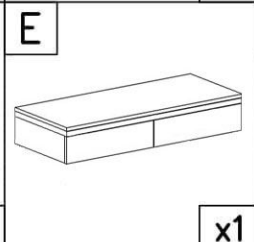
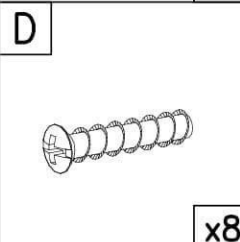
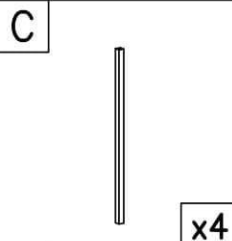
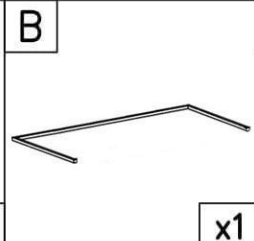
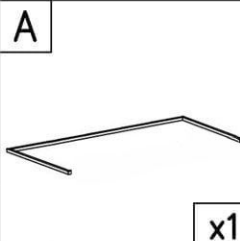
4



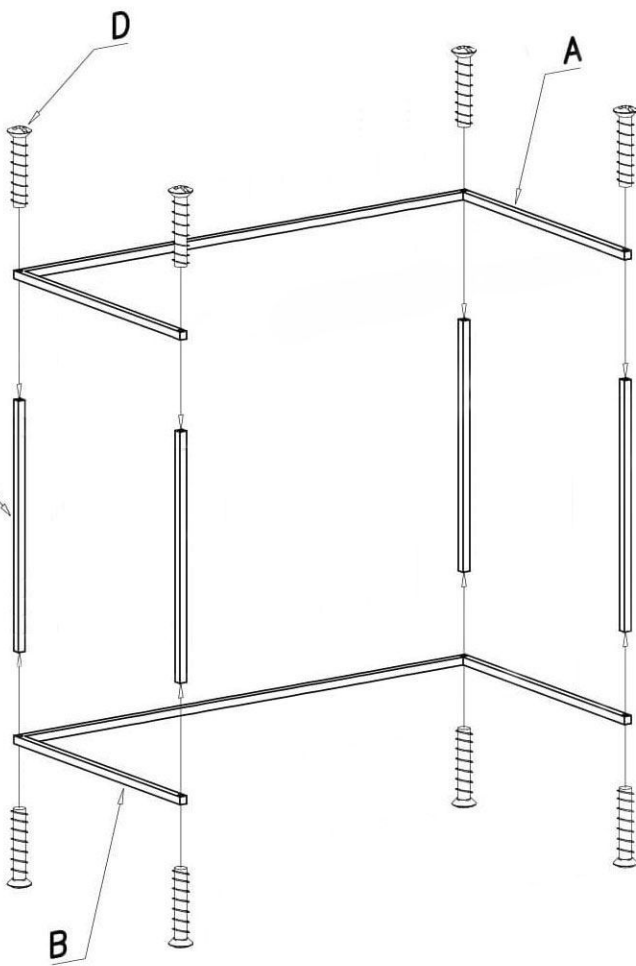




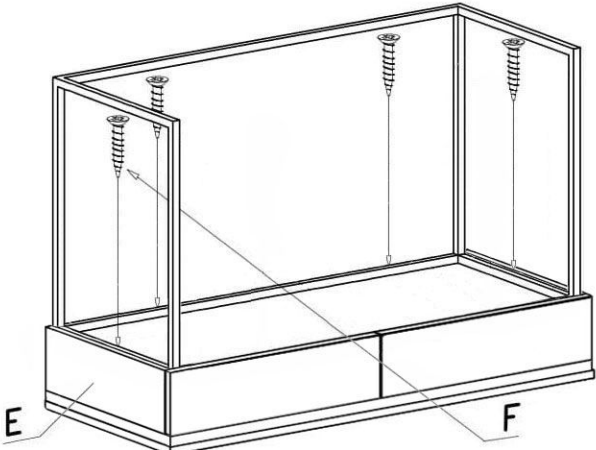
1



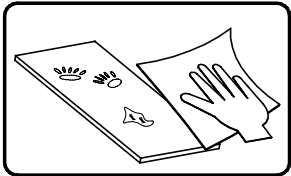
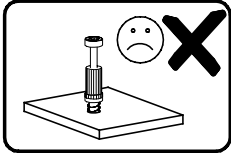
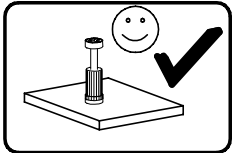
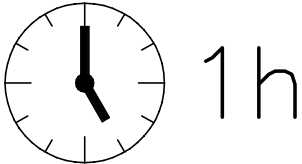
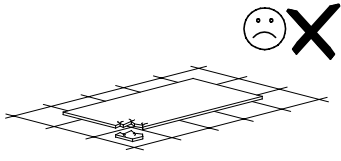
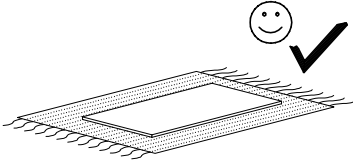
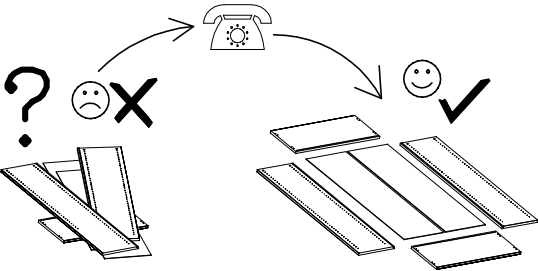
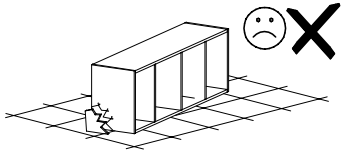
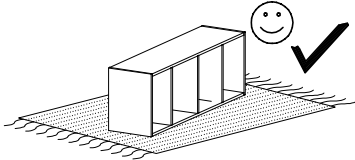
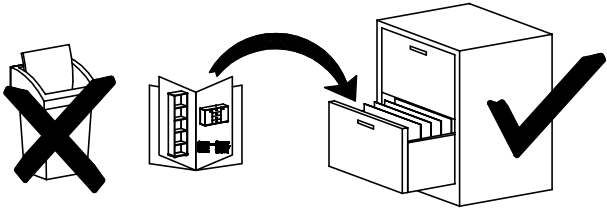
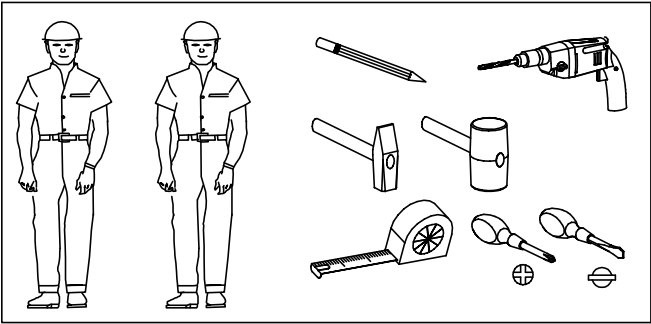
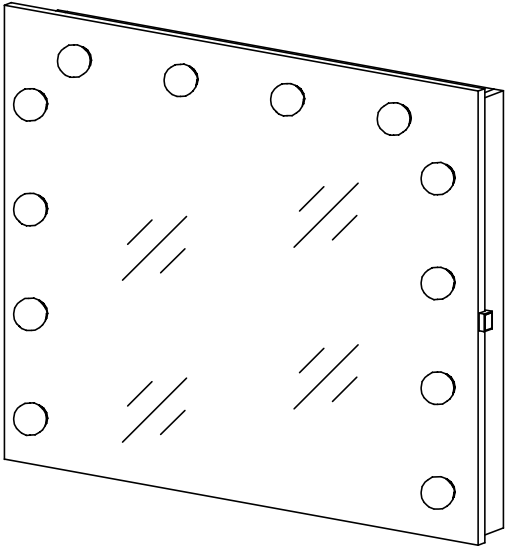
C



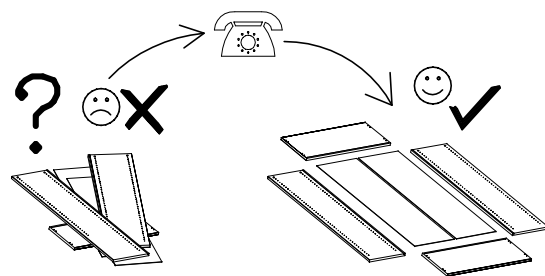
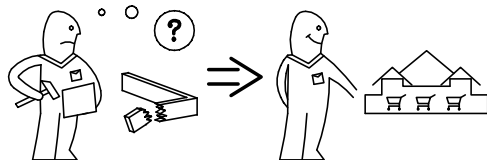
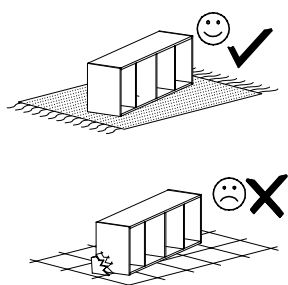
2



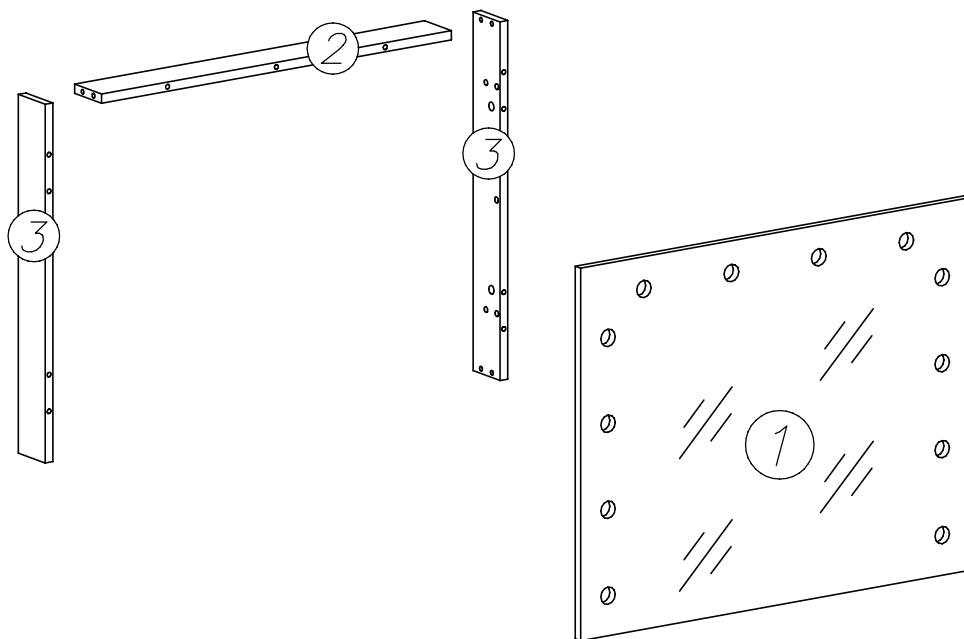
# ESCADO ELITE



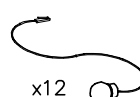
# ESCADO ELITE



nr	L[mm]	B[mm]	T[mm]	Menge	Colli
1	650	800	20	1	1/1
2	720	79	16	1	1/1
3	626	79	16	2	1/1



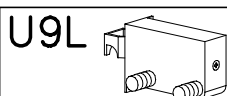
W20



x...(1)



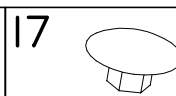
3,5x16 x...(1)



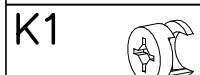
x...(1)



x...(1)



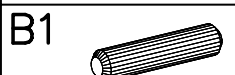
Ø18 x...(5)



Ø15x12 x...(5)



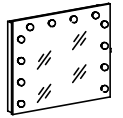
x...(5)



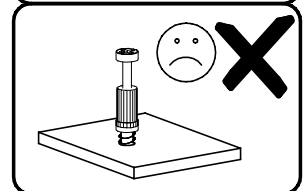
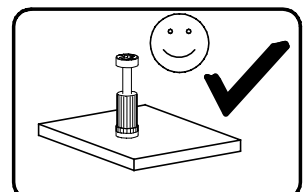
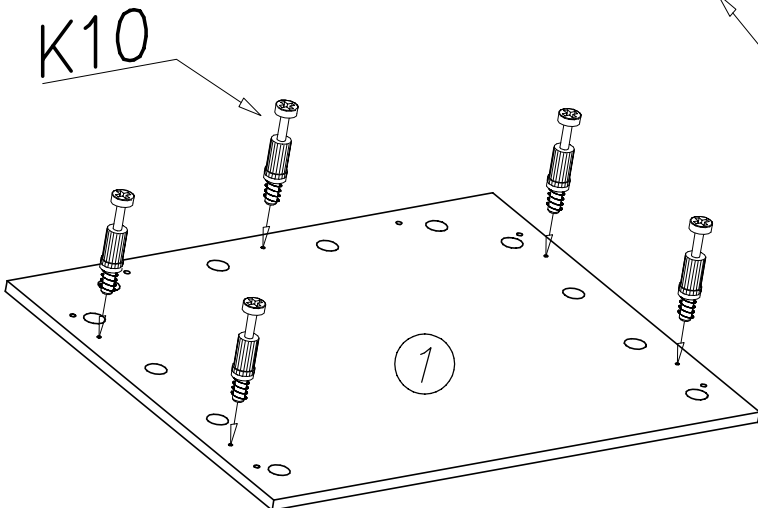
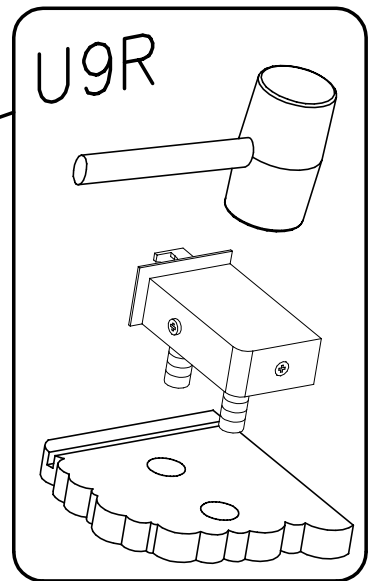
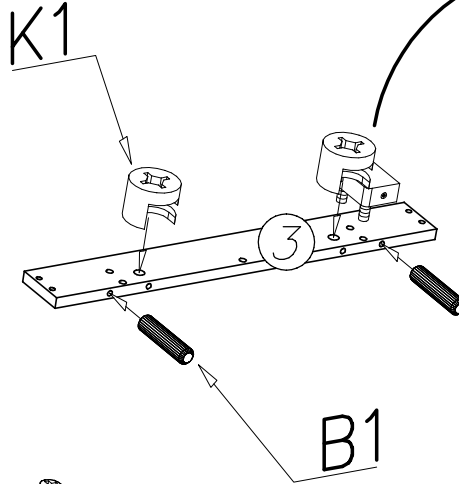
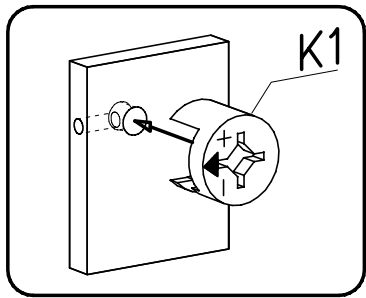
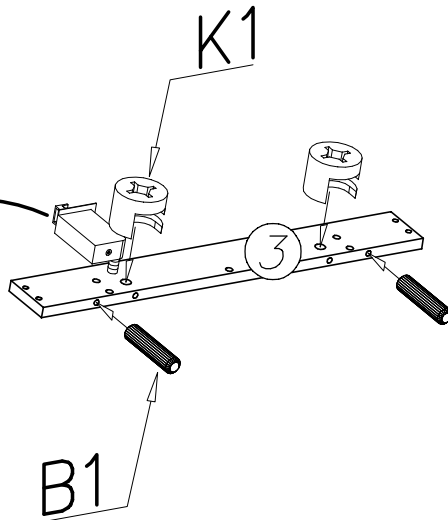
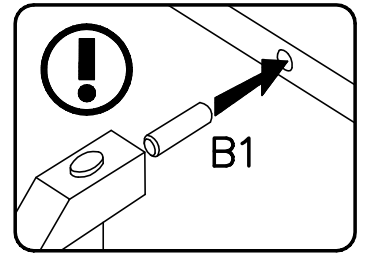
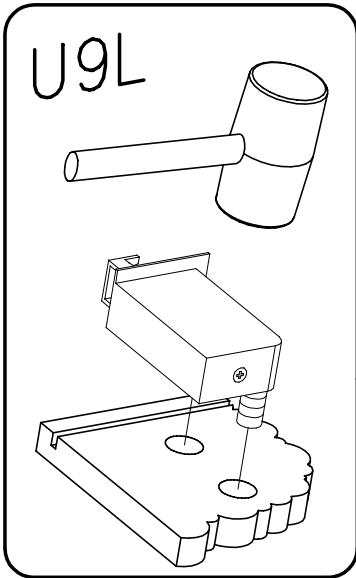
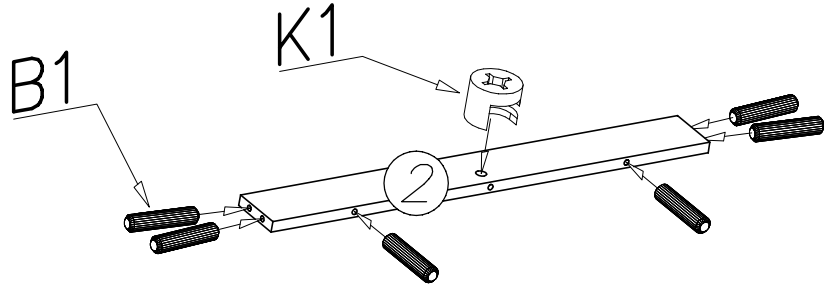
Ø8x35 x...(10)

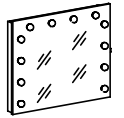


x...(1)

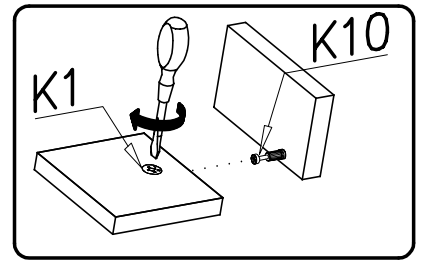
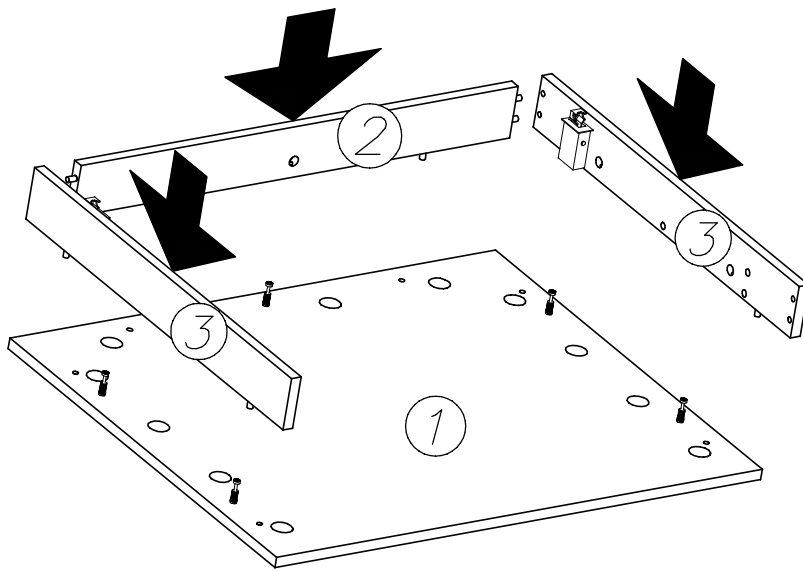


I

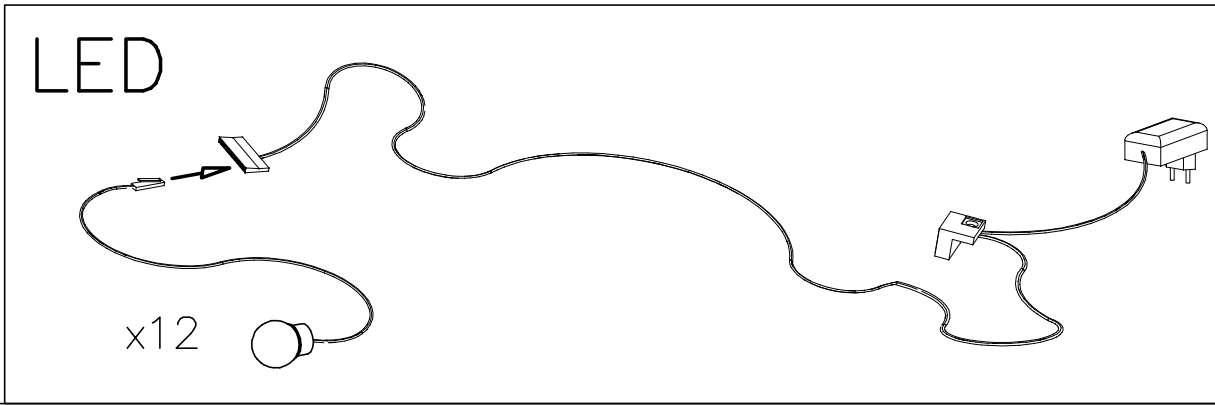
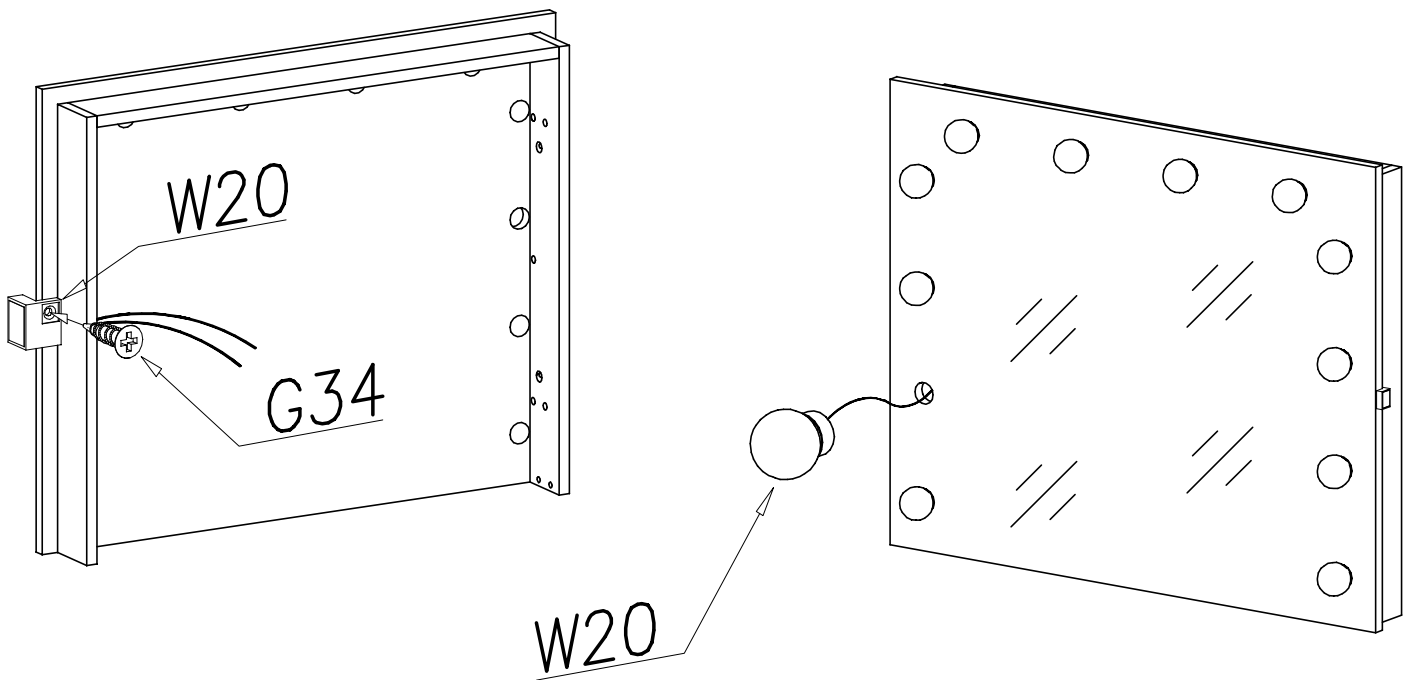


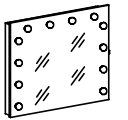


II

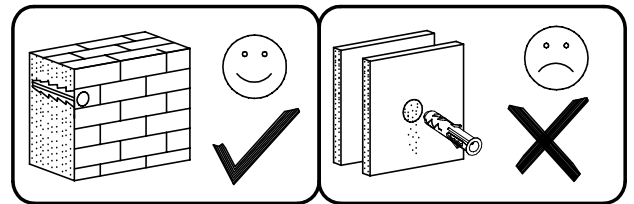
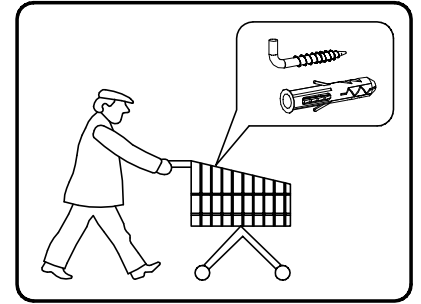
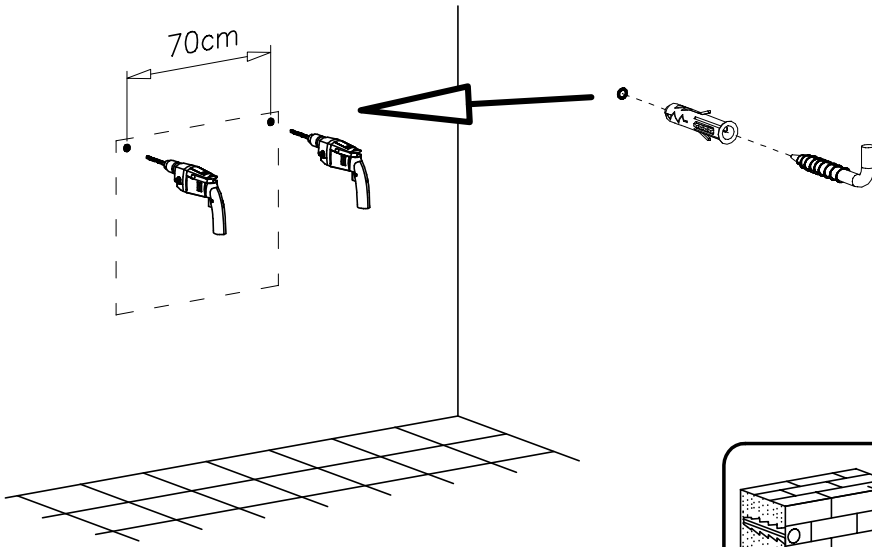


III





## IV



## V

