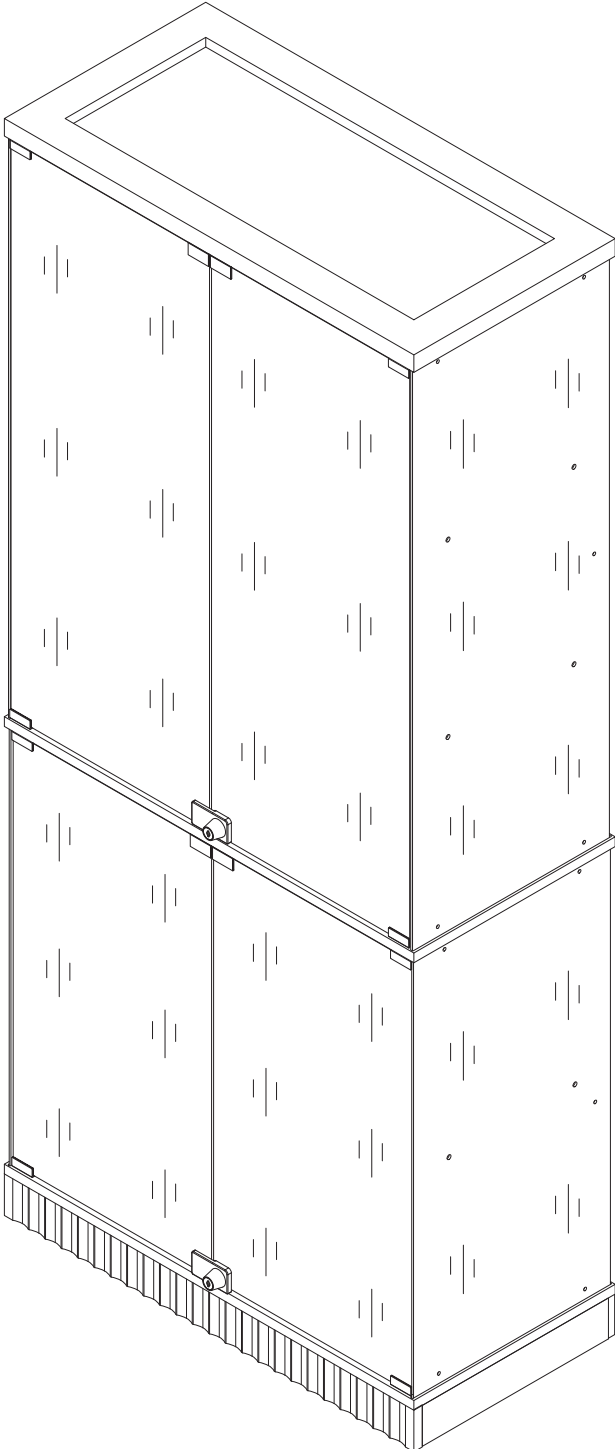
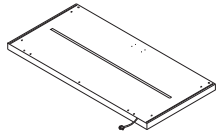
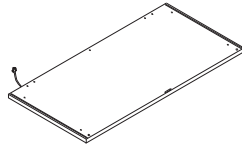


# Product Installation Instructions

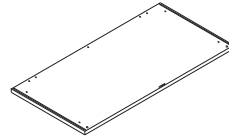




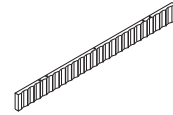
**1x1**



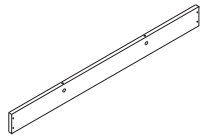
**2x1**



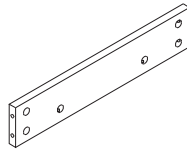
**3x1**



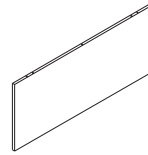
**4x1**



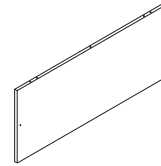
**5x1**



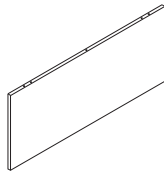
**6x2**



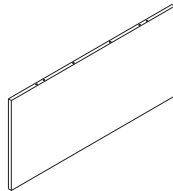
**7x1**



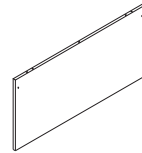
**8x1**



**9x1**



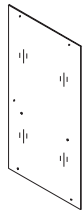
**10x1**



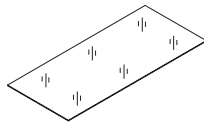
**11x1**



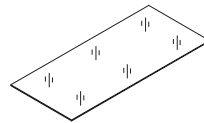
**12x2**



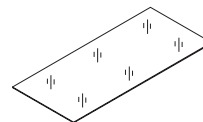
**13x2**



**14x2**



**15x2**

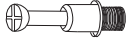

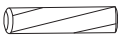




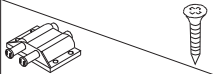

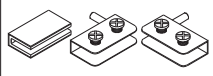

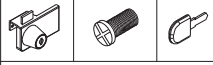


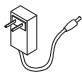
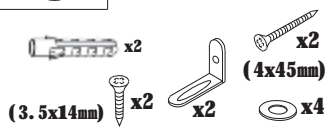
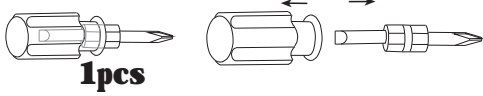


**16x3**

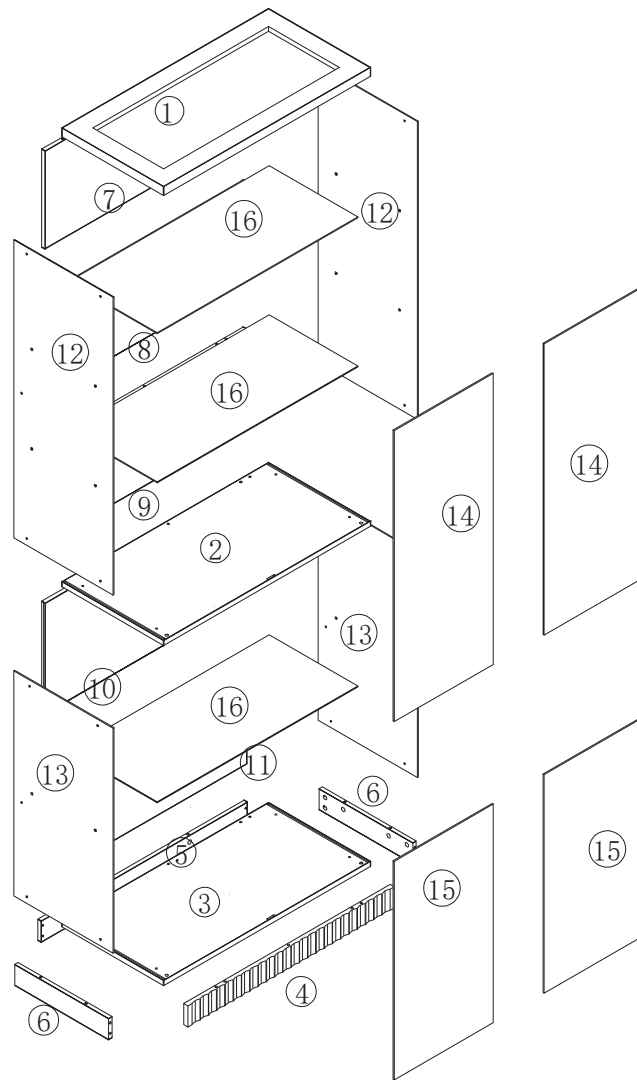


**1**

# Accessories list

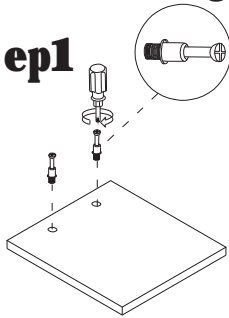
<b>A</b>		Two in one screw (6x28mm)	<b>39pcs</b> +4pcs		
<b>B</b>		Two in one nut (10x12mm)	<b>39pcs</b> +4pcs		
<b>C</b>		Wood chipping (6x30mm)	<b>16pcs</b> +4pcs		
<b>D</b>		Non-slip pads	<b>8pcs</b> +4pcs		
<b>E</b>		Corner Bracket & Screw (4x8mm)	<b>20pcs</b>	<b>40pcs</b> +2pcs	<b>20pcs</b> +2pcs
<b>F</b>		Screw (4x8mm)	<b>20pcs</b> +2pcs		
<b>G</b>		Laminate Support Nail Screw (6x18mm)	<b>12pcs</b> +1pcs		
<b>H</b>		Rebound device & Screw (3x16mm)	<b>8pcs</b> +2pcs		
		Rubber ring	<b>8pcs</b>		
		Iron sheet & Hinge	<b>4pcs</b>		
<b>I</b>		Forked line	<b>1pcs</b>		
<b>J</b>		Double door glass lock Key	<b>2pcs</b>	<b>4pcs</b>	<b>1pcs</b> +1pcs
<b>K</b>		Wire clamp	<b>2pcs</b> +1pcs		
<b>L</b>		LED Strip Controlle	<b>1pcs</b>		
	<b>AC/ DC Adapter(12V== 2. 0A)</b>		<b>1pcs</b>		
<b>M</b>	Anti Fall Hardware	Double-head screwdriver, use as required			
		 <b>1pcs</b>			
		<b>2</b>			

# Product structure decomposition

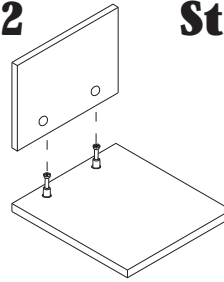


Use parts A and B

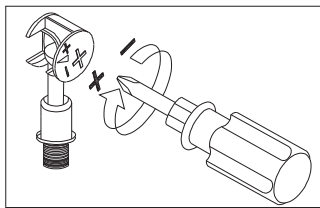
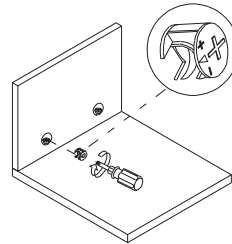
**Step1**



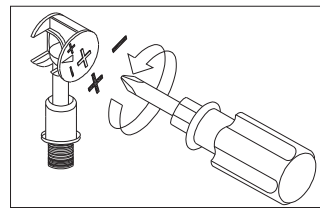
**Step2**



**Step3**

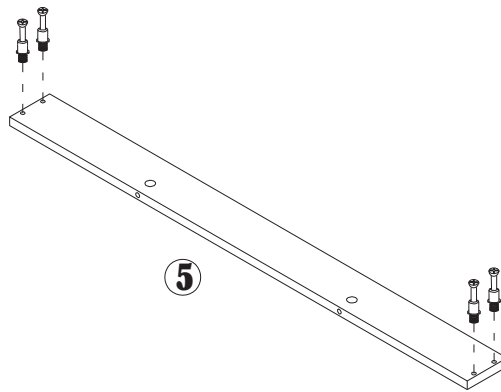
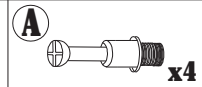


Use a screwdriver to lock in the direction of the "+" sign



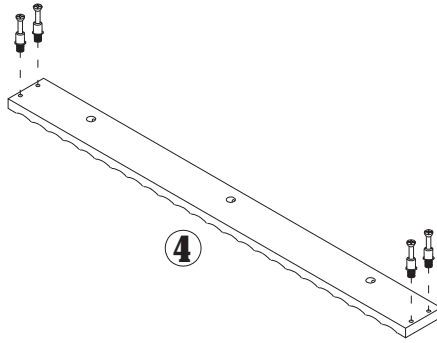
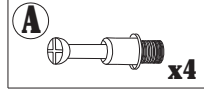
Disassemble along the direction of "-" sign

**Step 1**

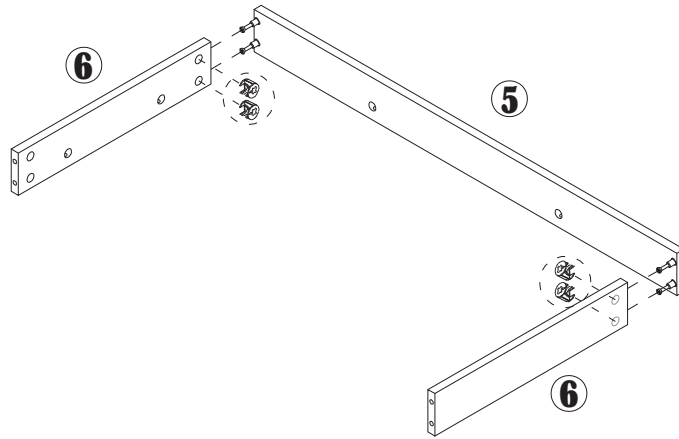


**4**

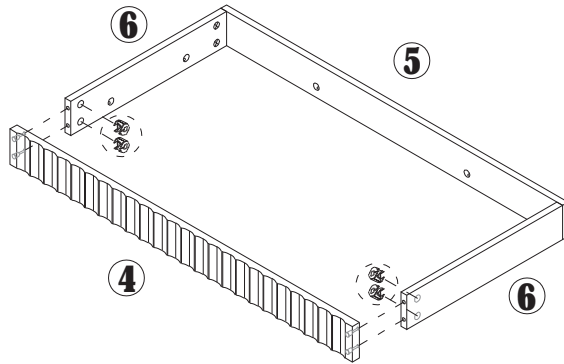
Step 2



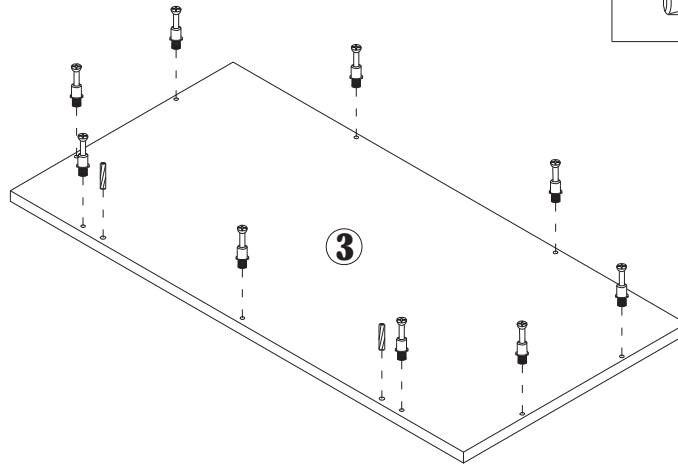
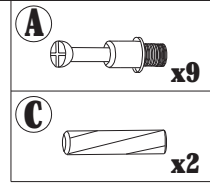
Step 3



Step 4

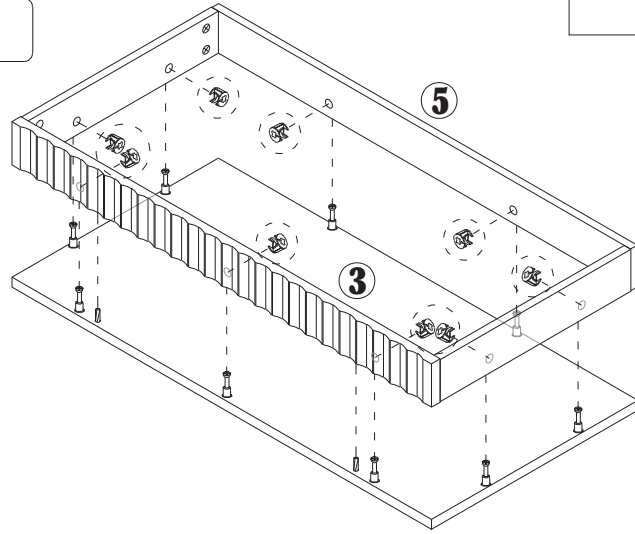


Step 5

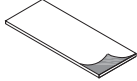


Step 6

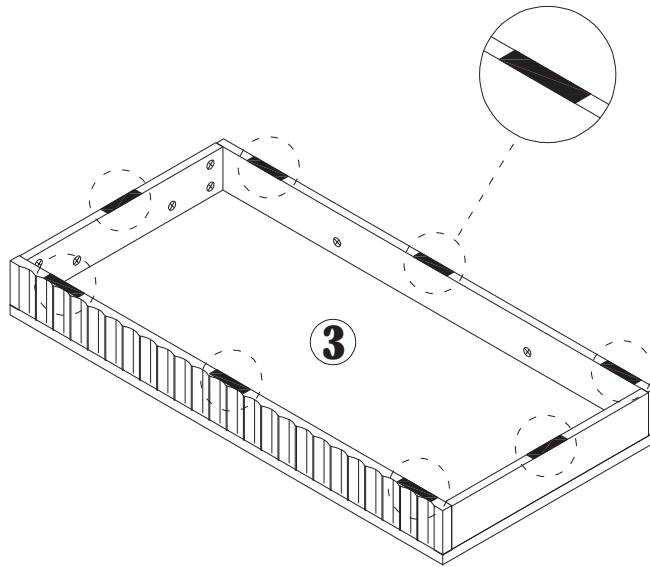
**B**  **x9**



Step 7

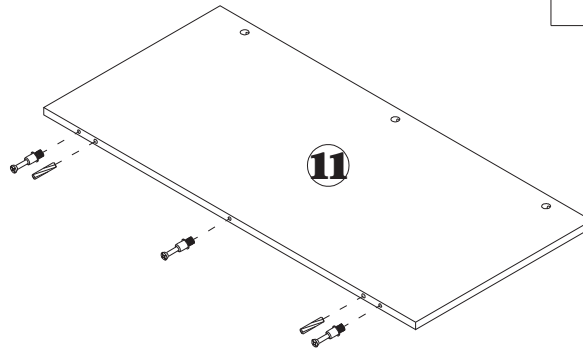
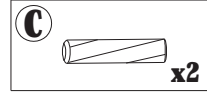
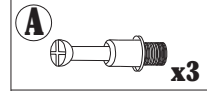
**D**  **x8**

Tear off release paper and stick the black foot pad on the board

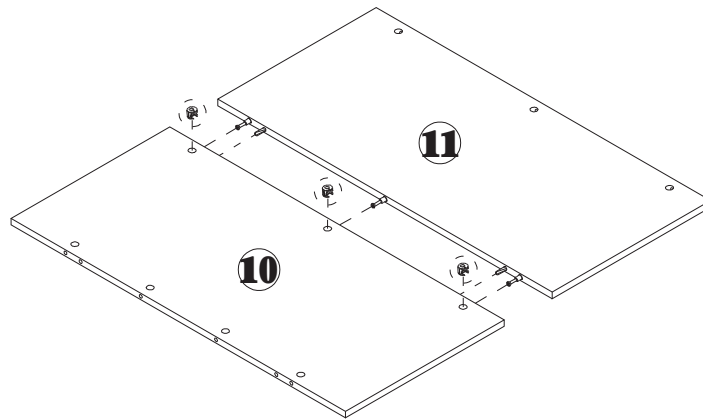


7

Step 8

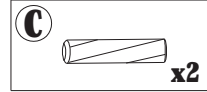
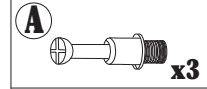
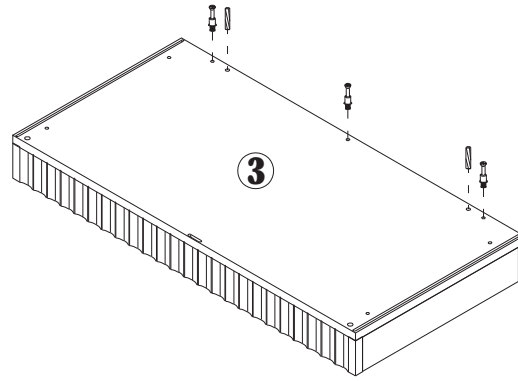


Step 9

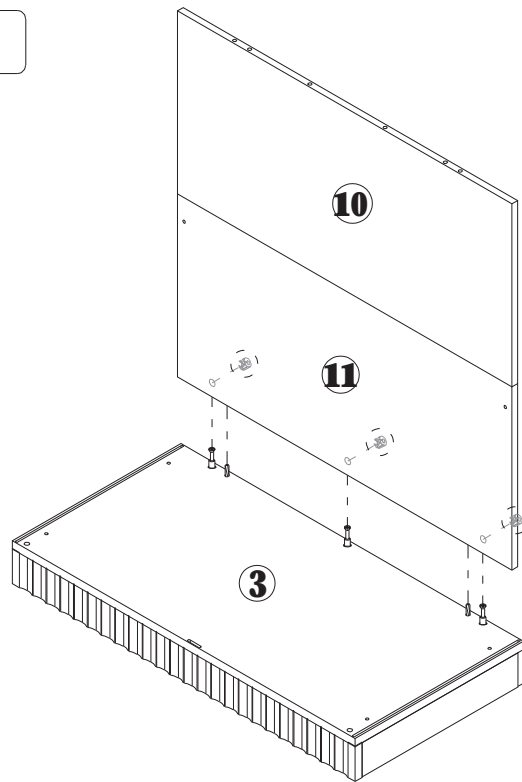


8

Step 10



Step 11

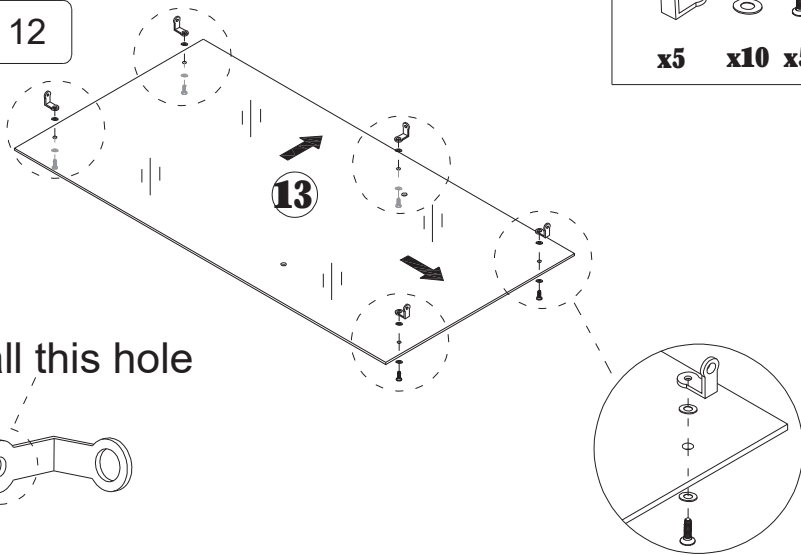
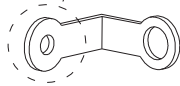


9

Step 12

**E**  
x5 x10 x5

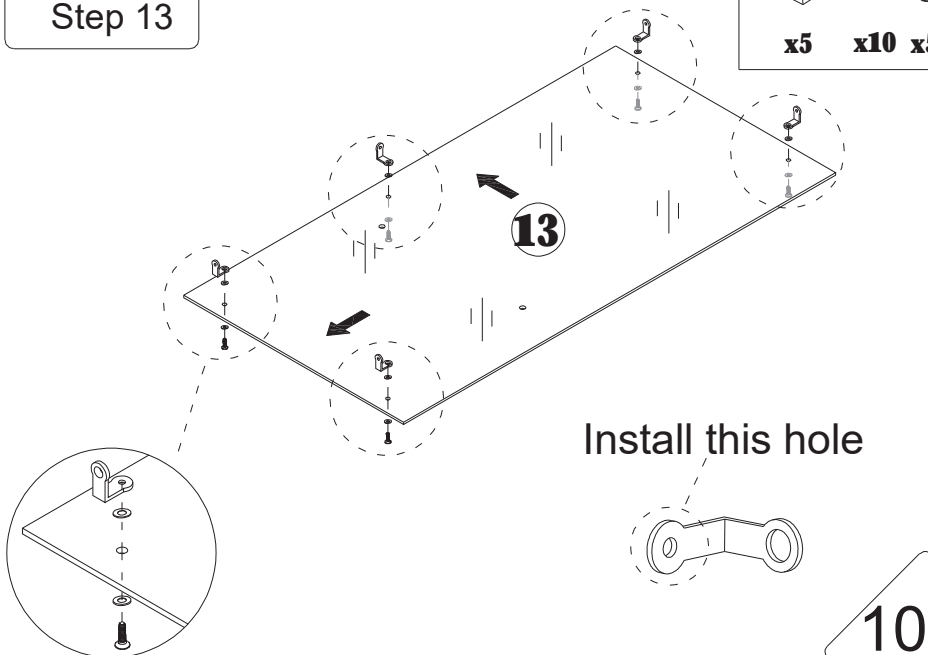
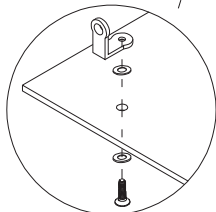
Install this hole



Step 13

**E**  
x5 x10 x5

Install this hole



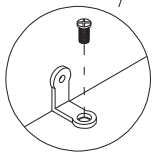
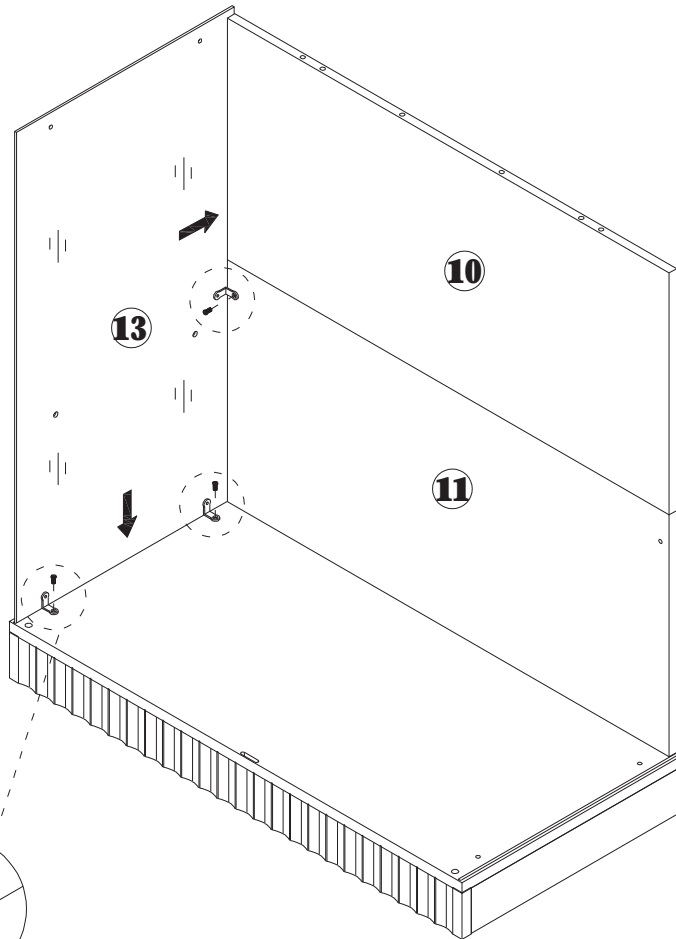
10

Step 14

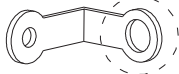
F



x3



Install this hole



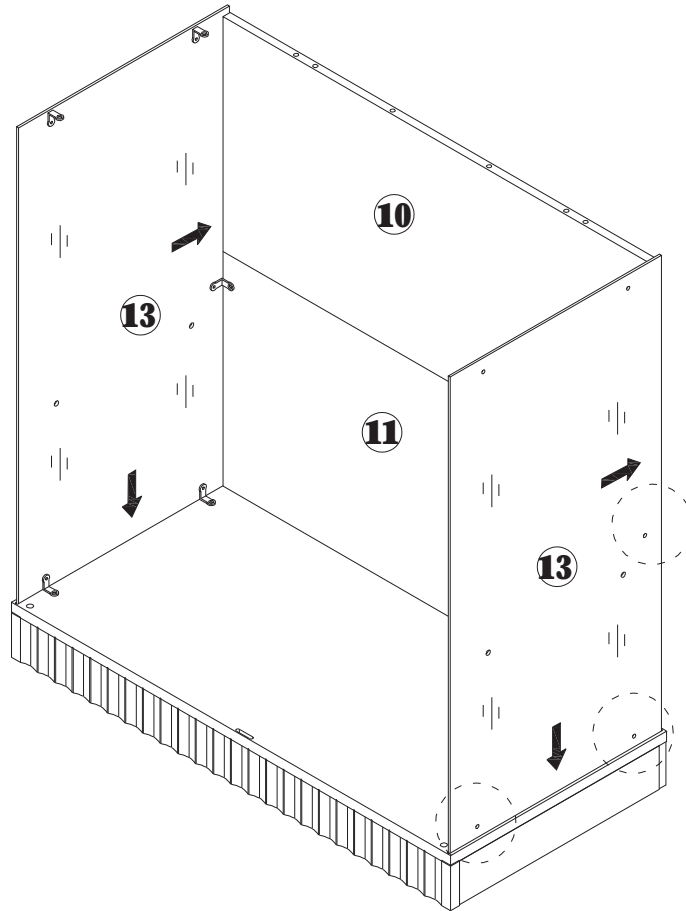
11

Step 15

F



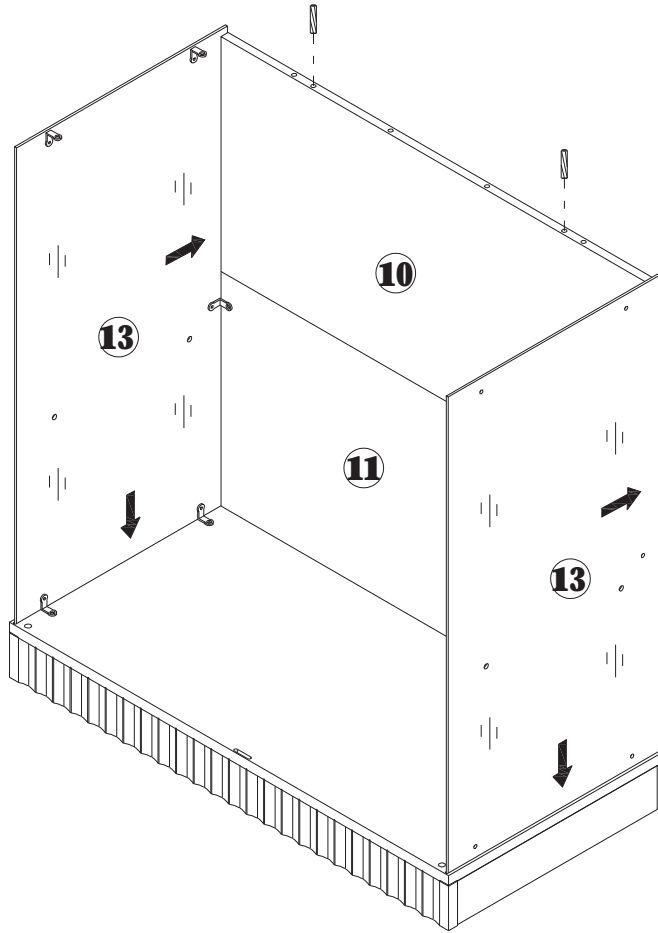
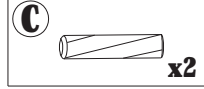
x3



Repeat the above glass side plate installation steps.

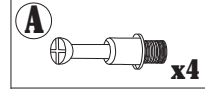
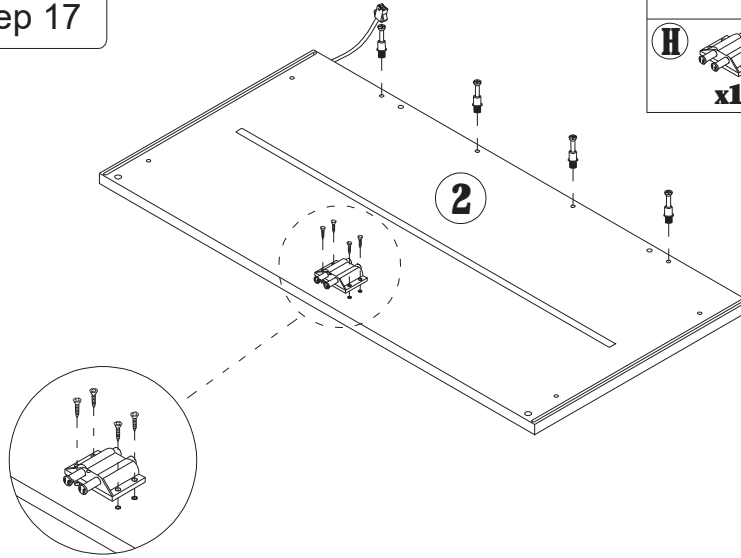
12

Step 16

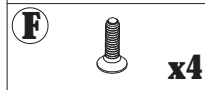
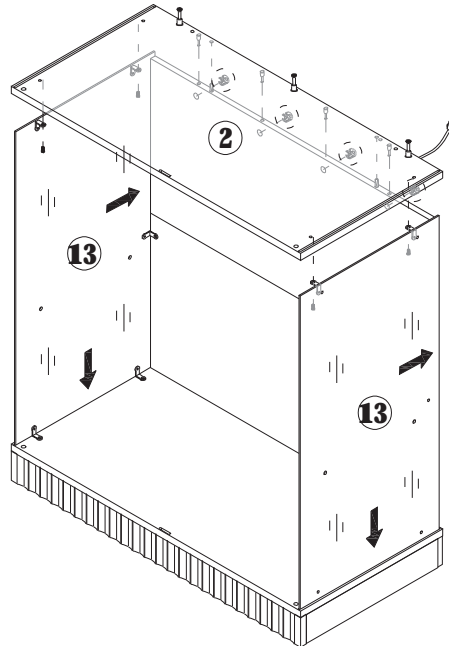


13

Step 17

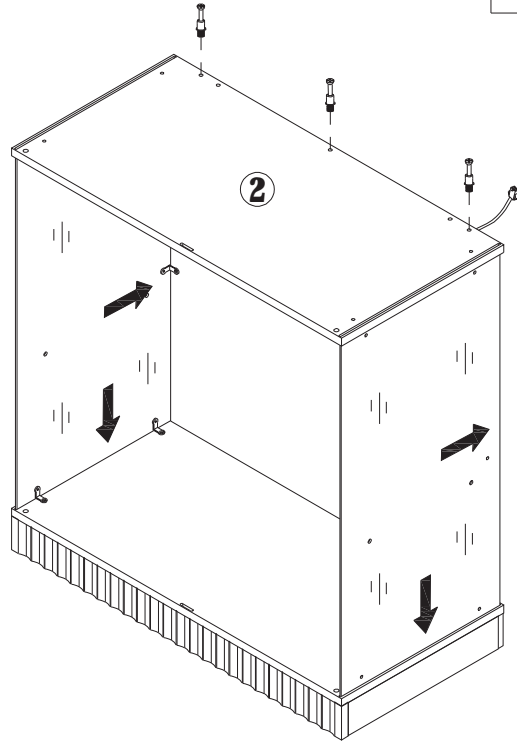
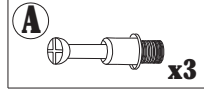


Step 18

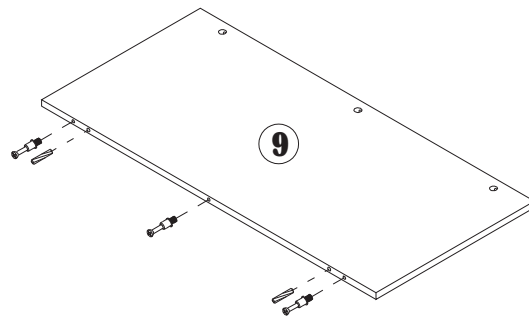
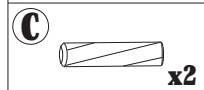
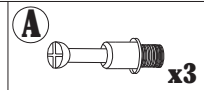


14

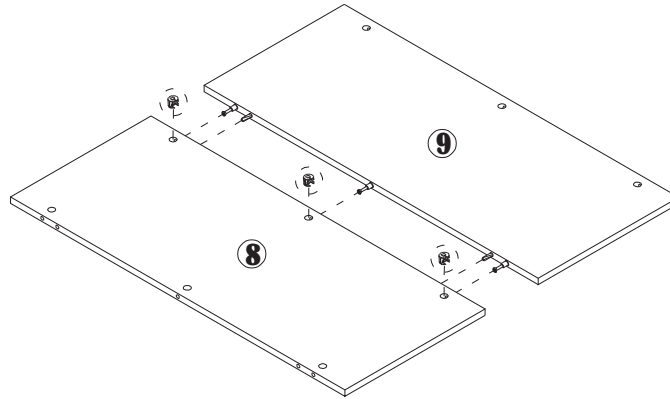
Step 19



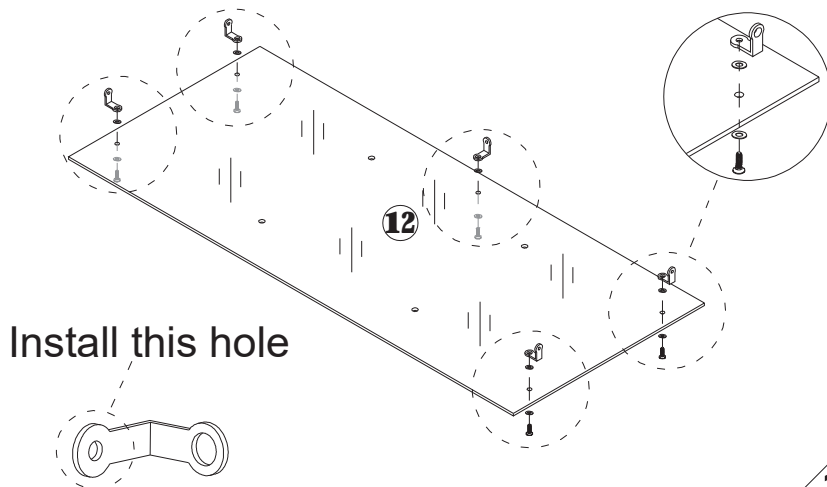
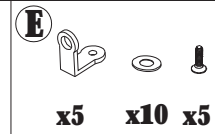
Step 20



Step 21

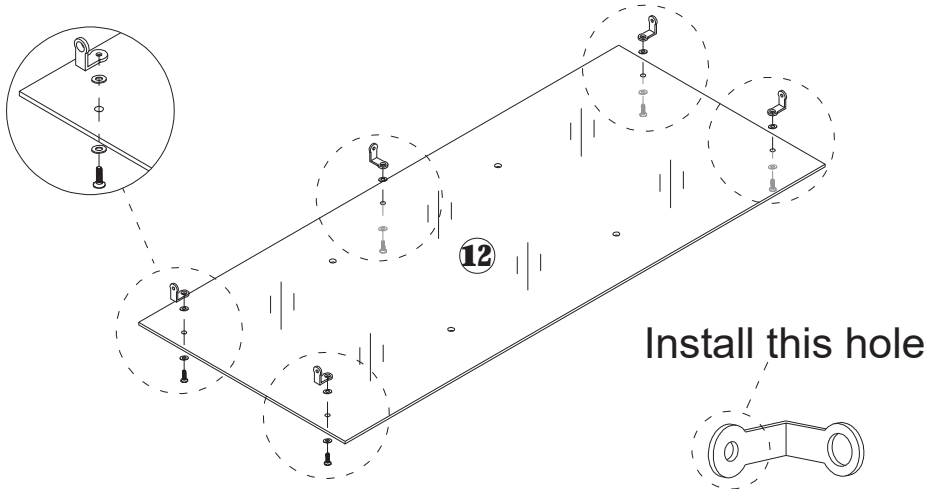
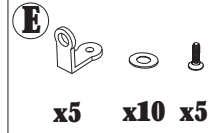


Step 22

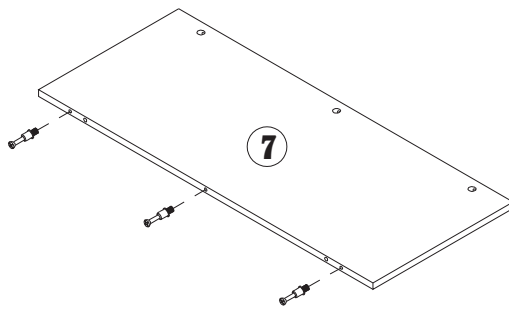
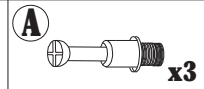


16

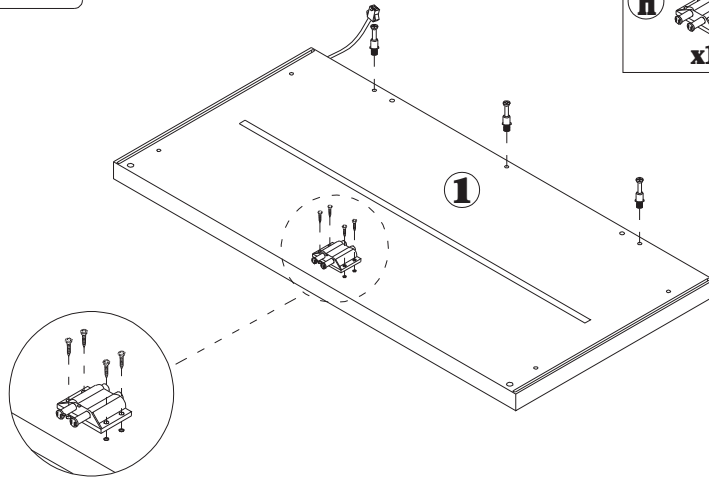
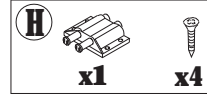
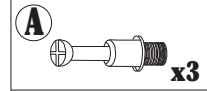
Step 23



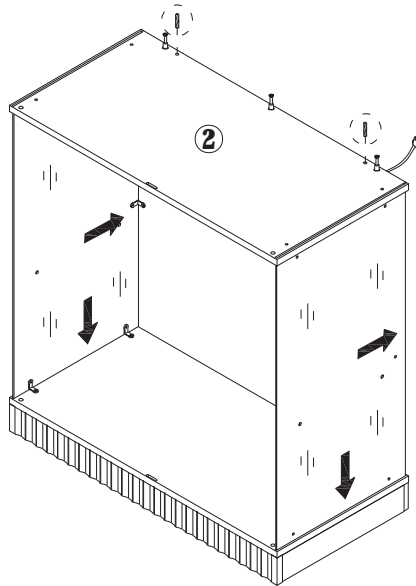
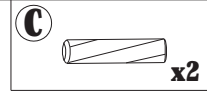
Step 24



Step 25

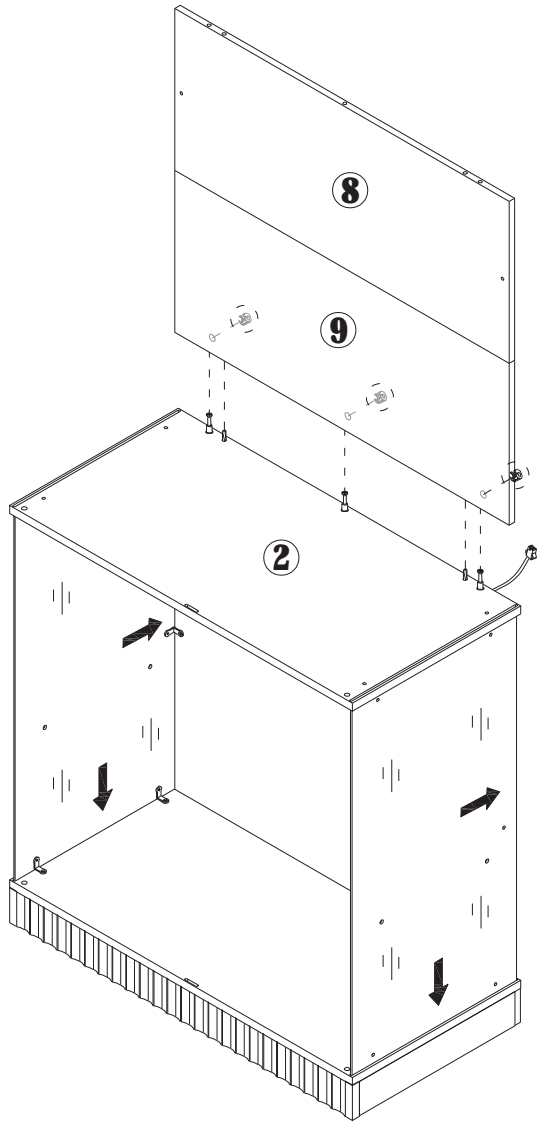


Step 26



Step 27

**B**  **x3**

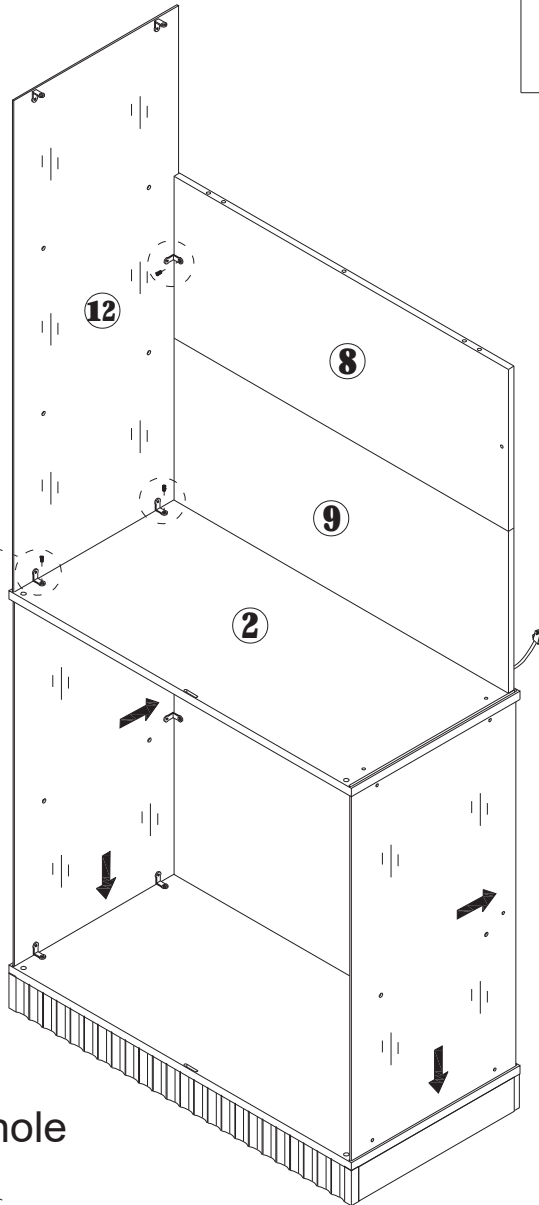
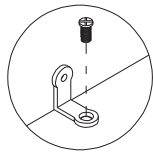


Step 28

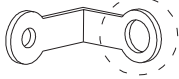
F



x3

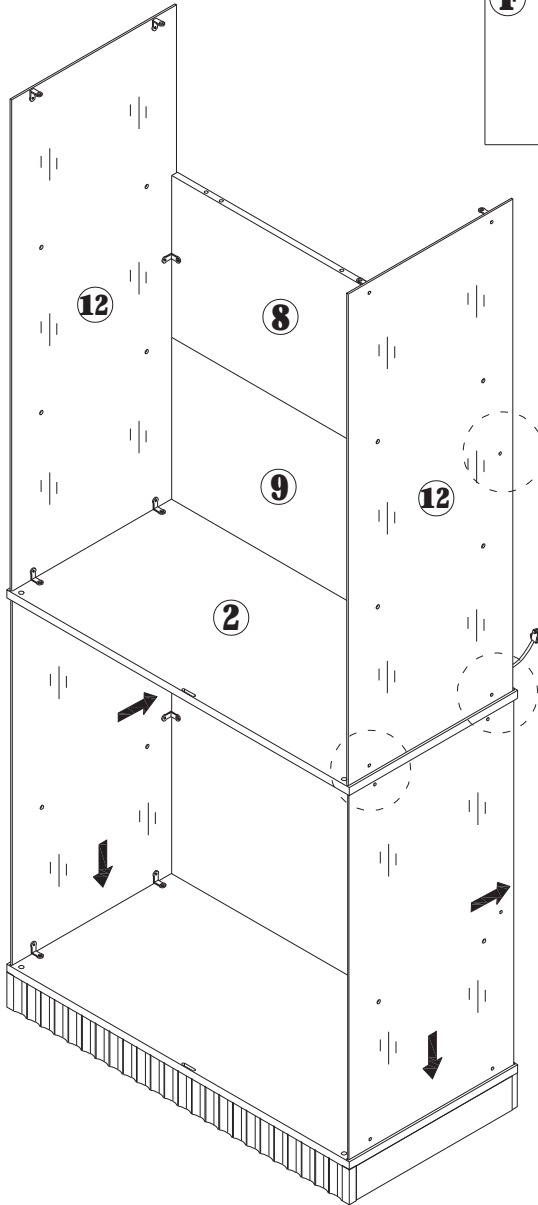
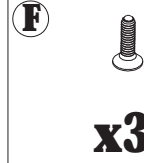


Install this hole



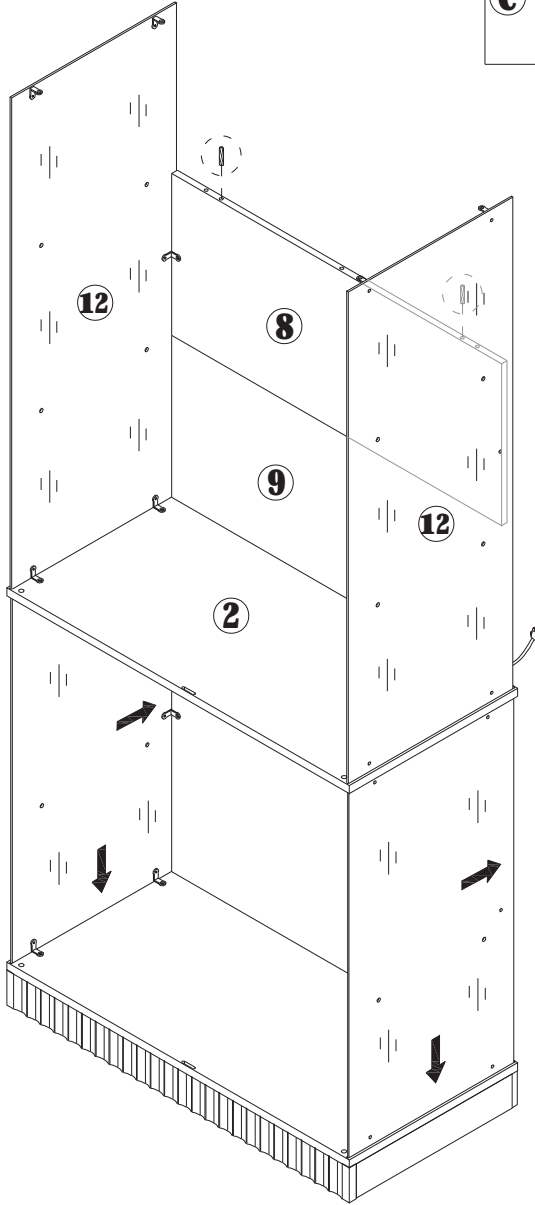
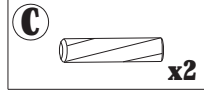
20

Step 29



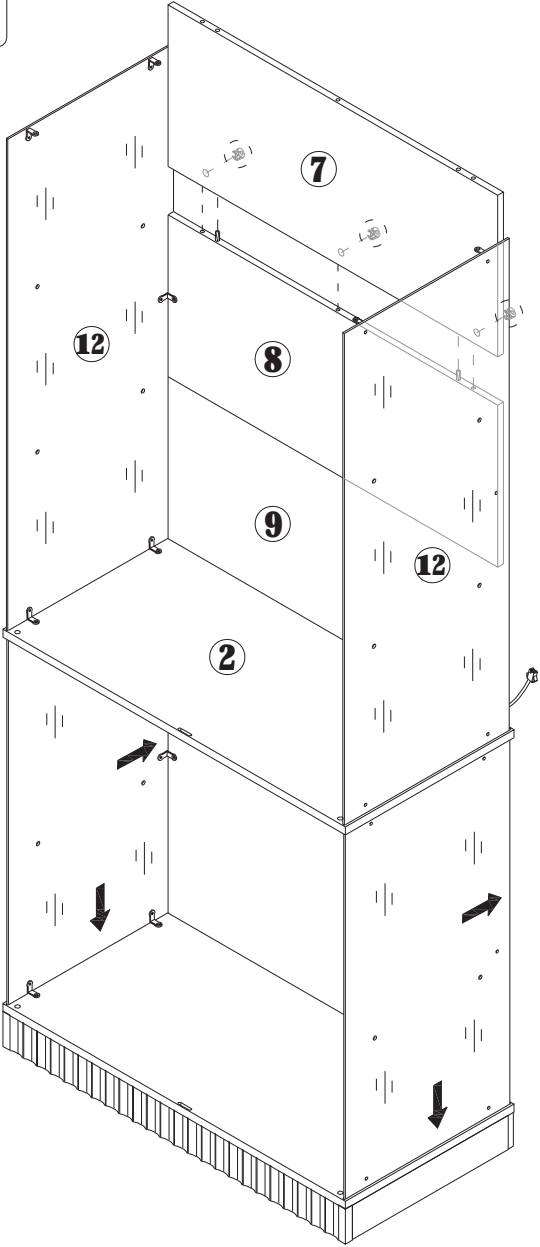
Repeat the above glass side plate installation steps.

Step 30

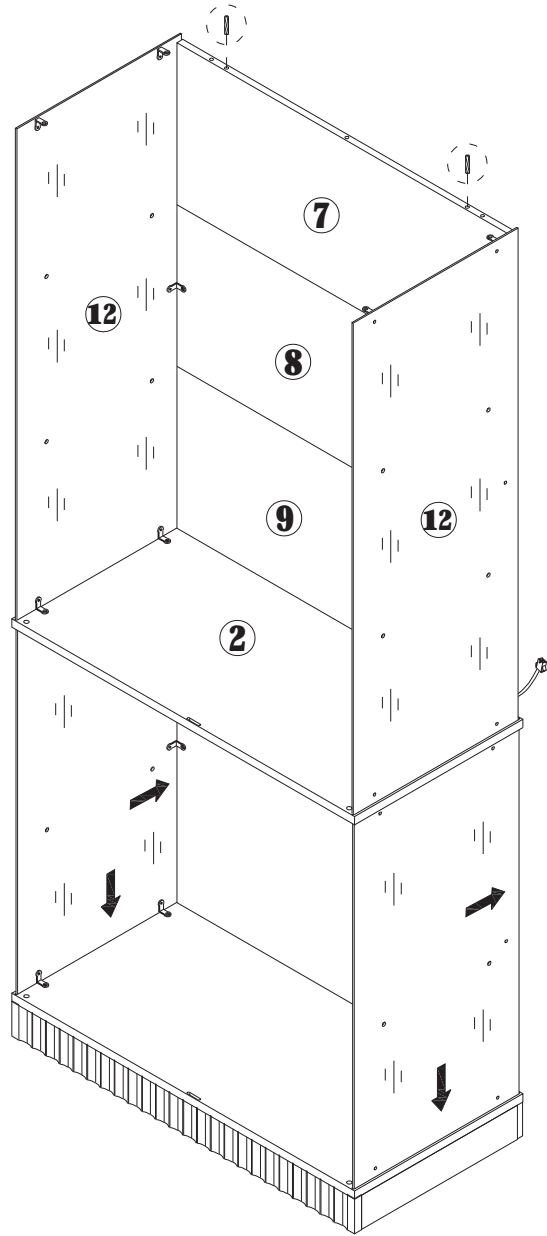
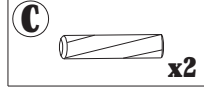


Step 31


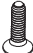
**B**  **x3**

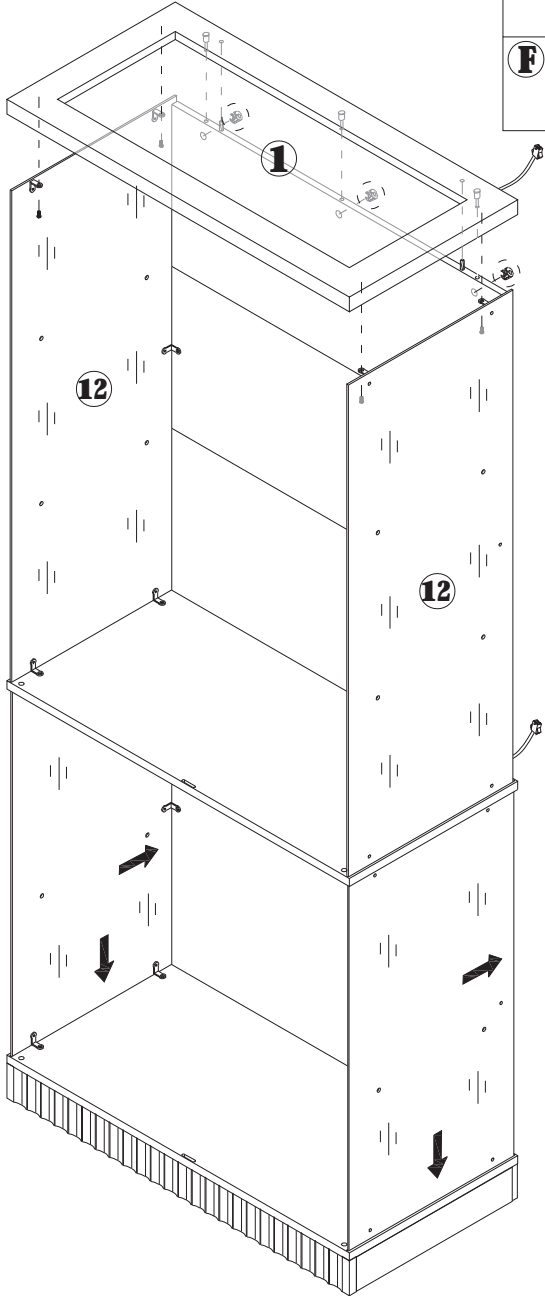


Step 32

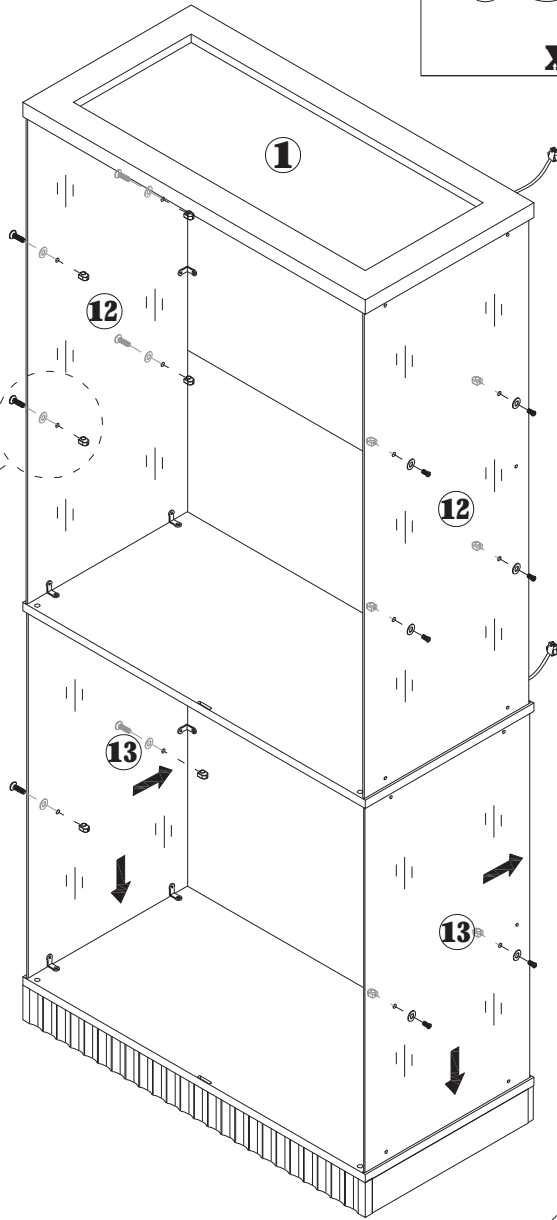
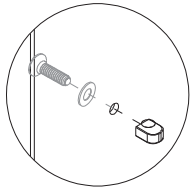
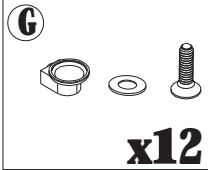


Step 33

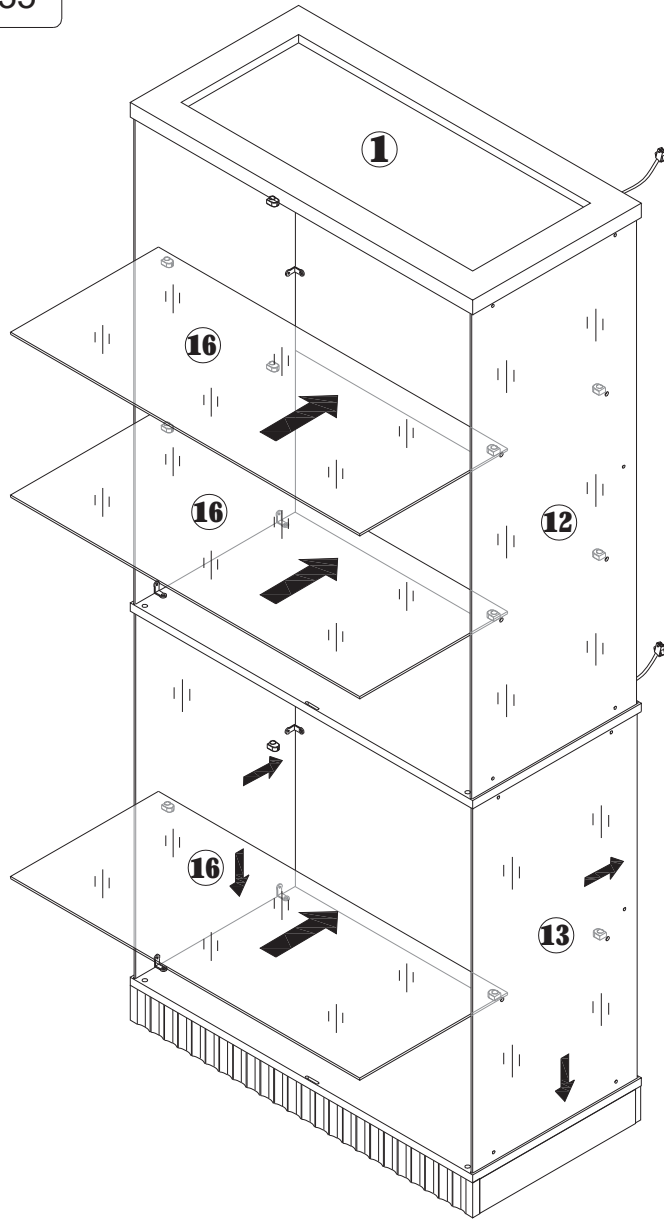
- B**  **x3**
- F**  **x4**



Step 34

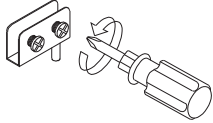


Step 35

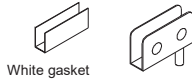


### Step 36

First, completely unscrew the screws on the parts



Place the white gasket first, then install the hinge, and finally tighten the screws.



**E**

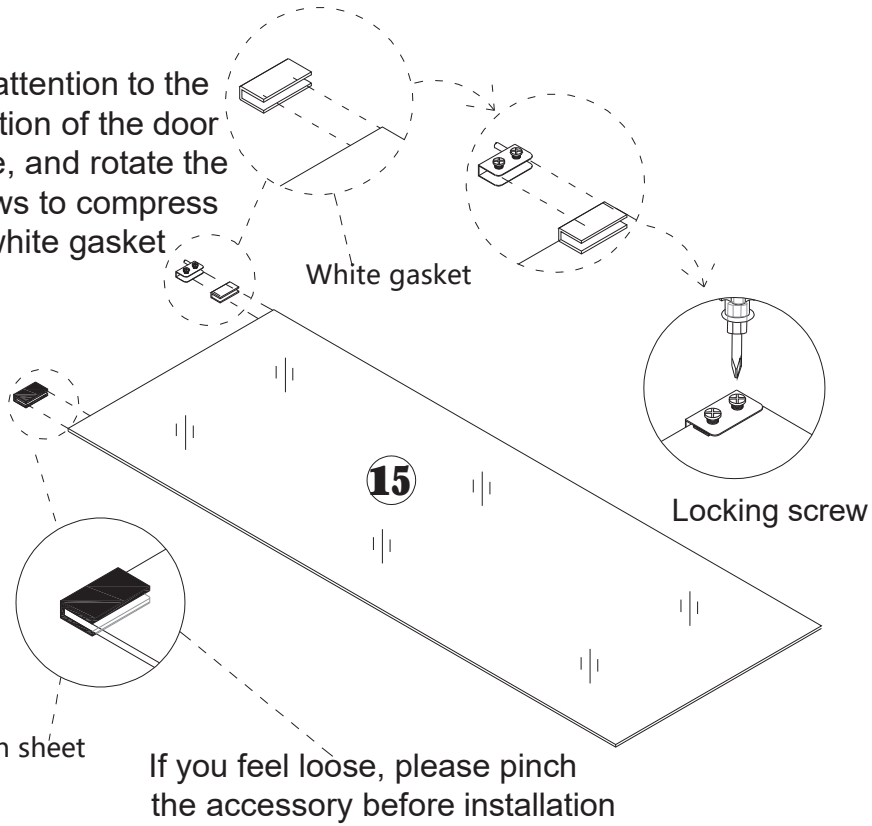


**x1**



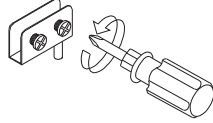
**x1**

Pay attention to the direction of the door hinge, and rotate the screws to compress the white gasket

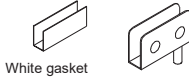


### Step 37

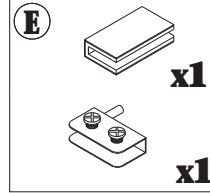
First, completely unscrew the screws on the parts



Place the white gasket first, then install the hinge, and finally tighten the screws.

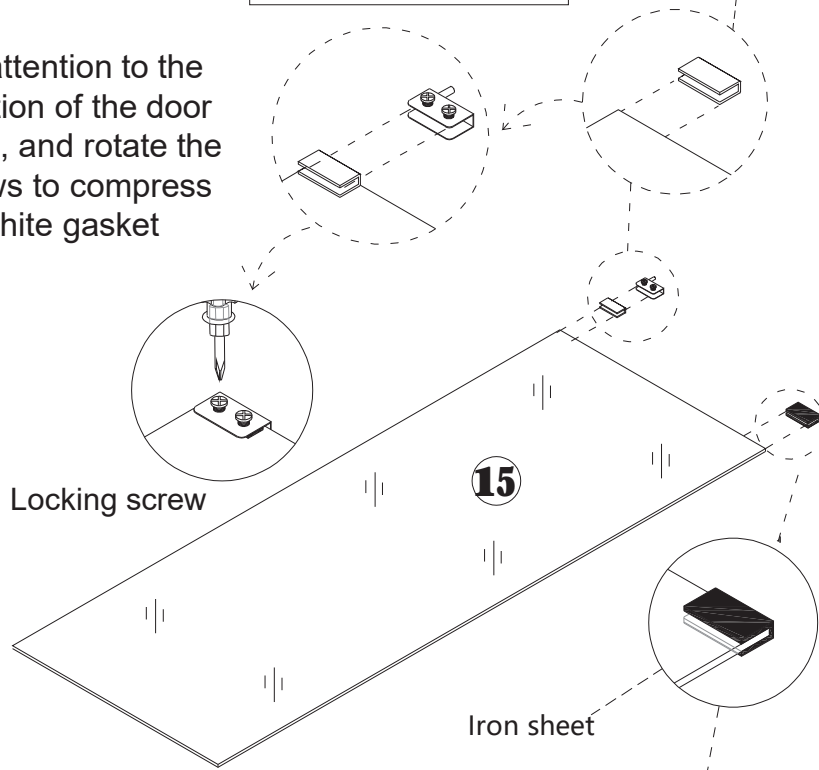


White gasket



White gasket

Pay attention to the direction of the door hinge, and rotate the screws to compress the white gasket



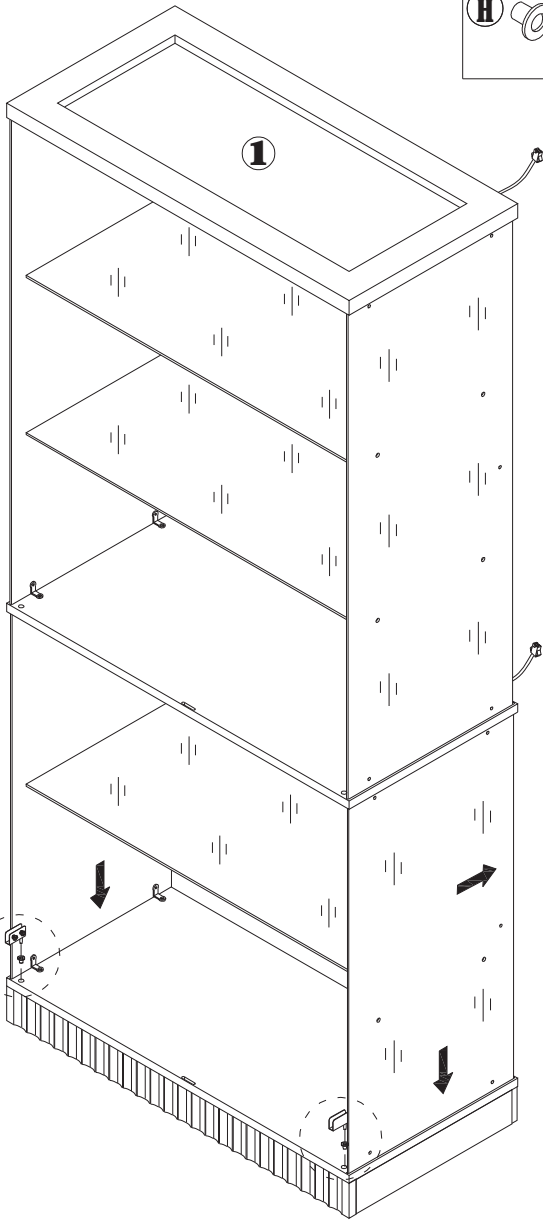
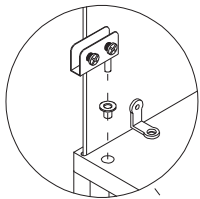
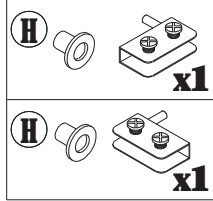
Locking screw

15

Iron sheet

If you feel loose, please pinch the accessory before installation

Step 38



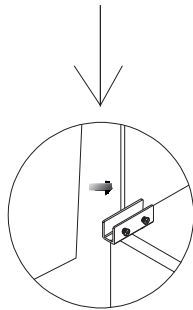
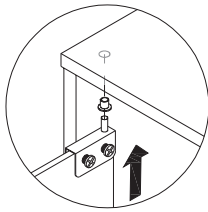
### Step 39

Pay attention to the direction of the door hinge during installation

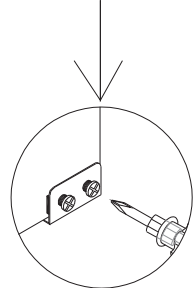


When installing a glass door, it is recommended to have two people install it to avoid the glass door colliding or hitting oneself.

first

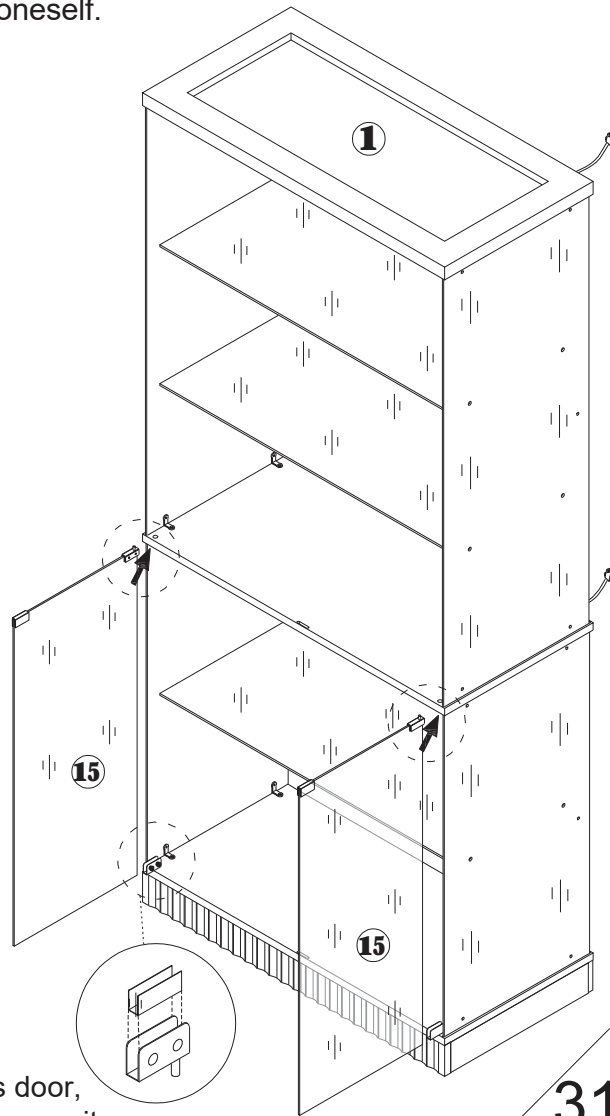


second



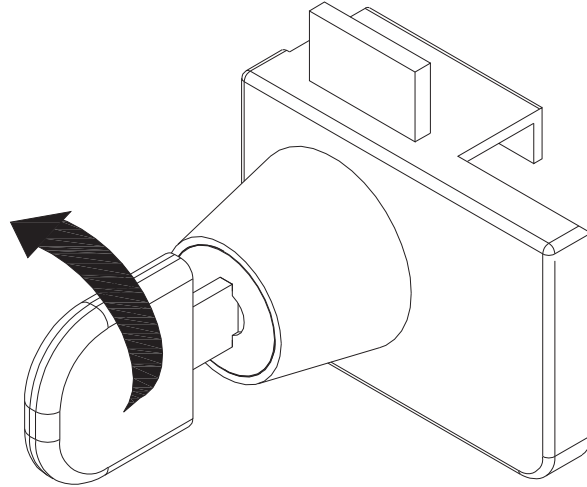
third

After aligning the glass door, tighten the screws to secure it.

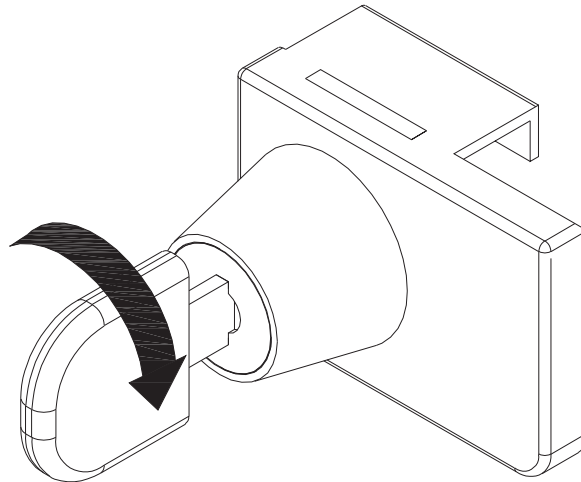


31

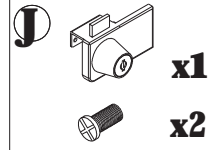
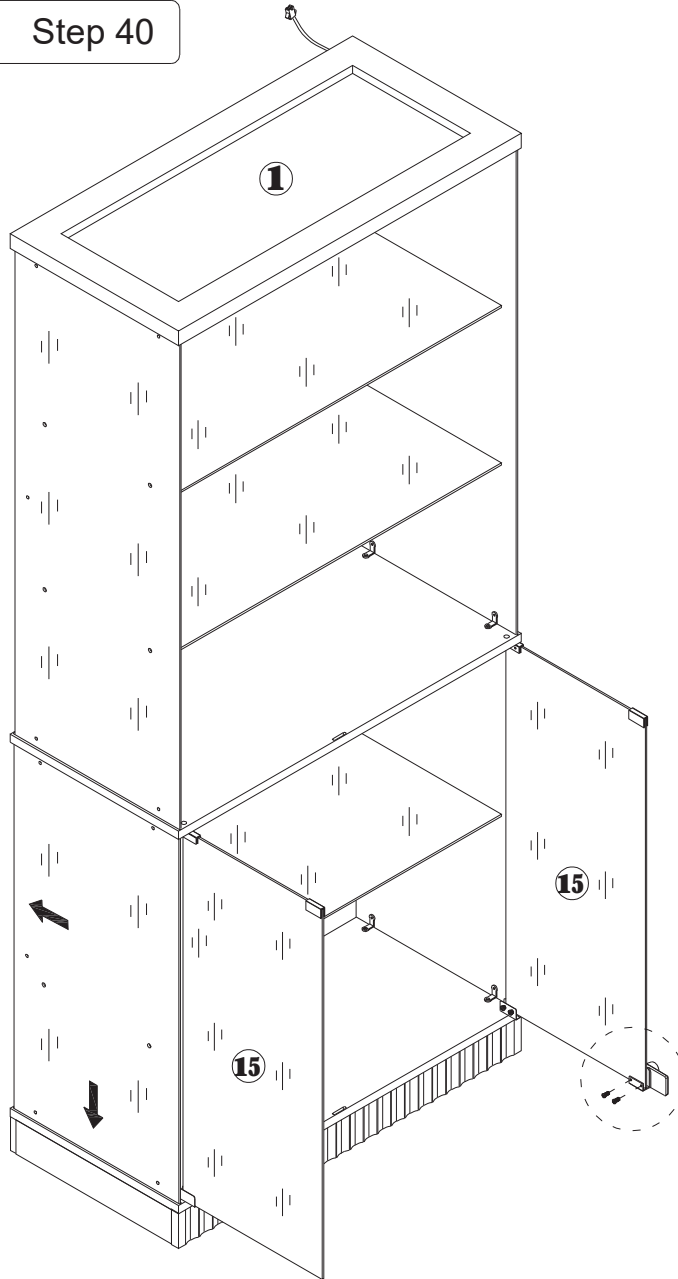
Tip: Turning the door lock to the right will close it



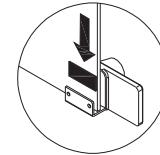
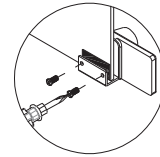
Tip: Turning the door lock to the left opens it



Step 40

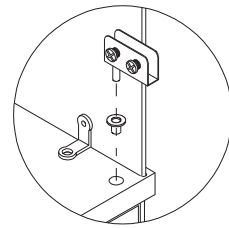
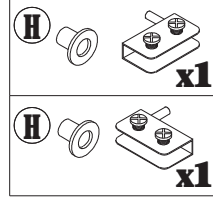
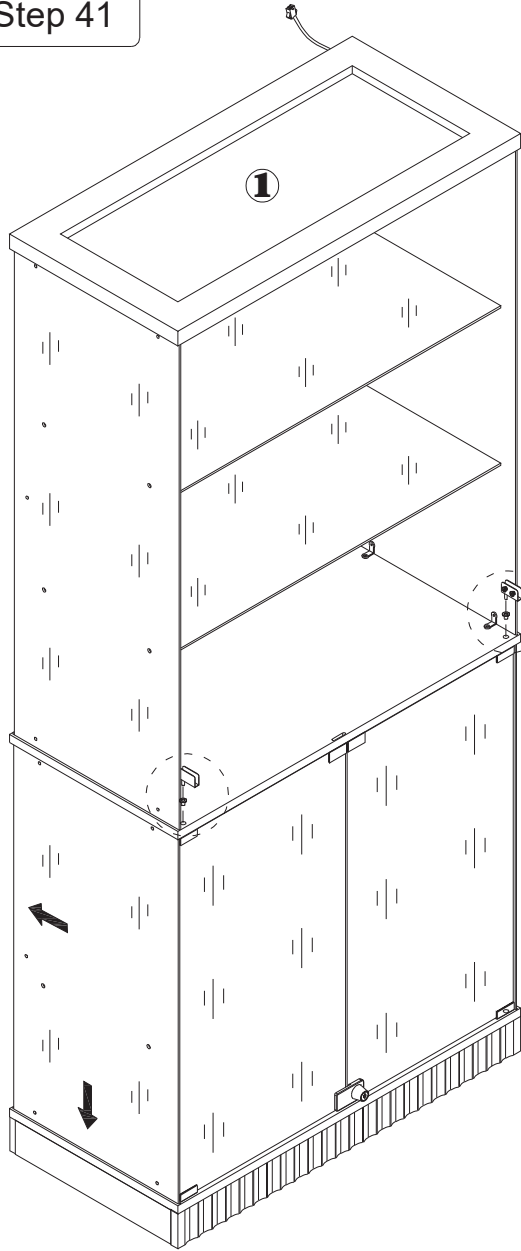


second



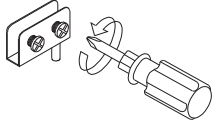
first

Step 41

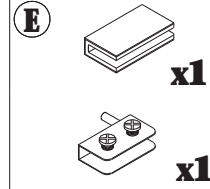
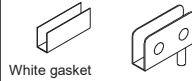


## Step 42

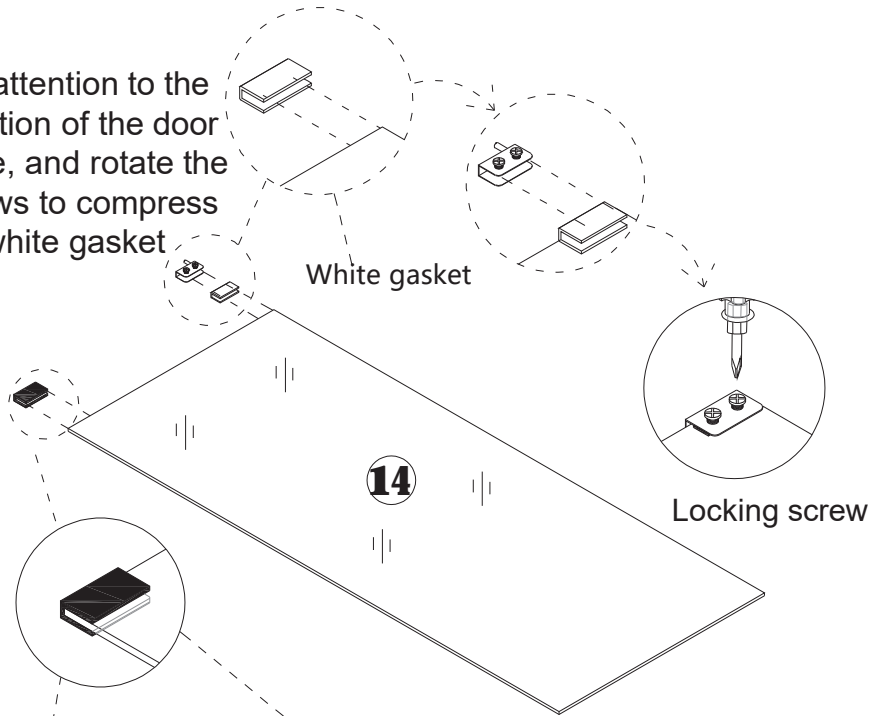
First, completely unscrew the screws on the parts



Place the white gasket first, then install the hinge, and finally tighten the screws.



Pay attention to the direction of the door hinge, and rotate the screws to compress the white gasket

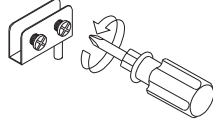


Iron sheet

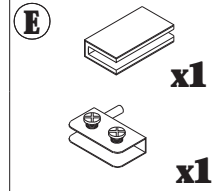
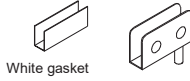
If you feel loose, please pinch the accessory before installation

### Step 43

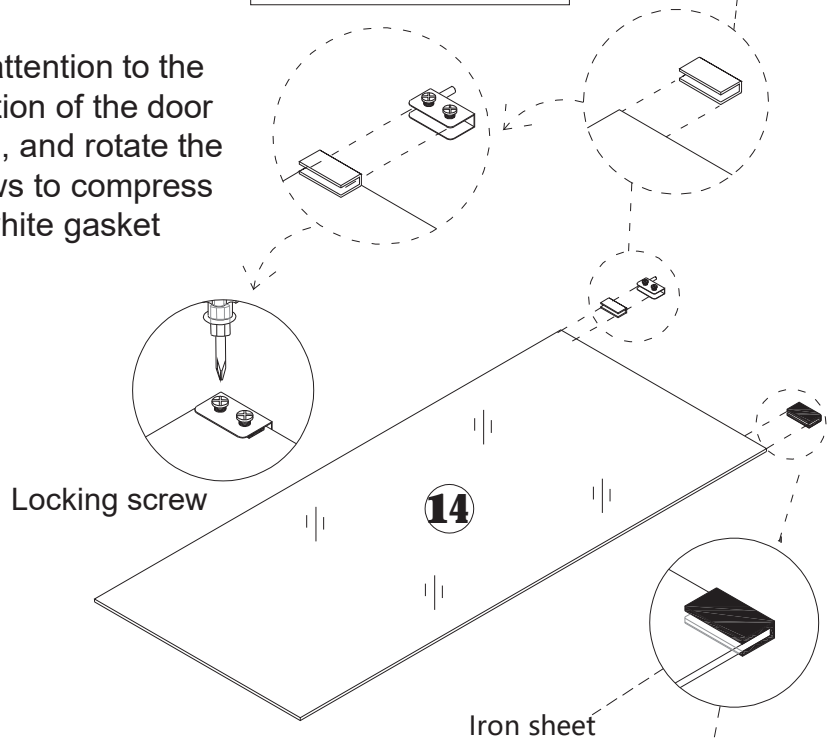
First, completely unscrew the screws on the parts



Place the white gasket first, then install the hinge, and finally tighten the screws.



Pay attention to the direction of the door hinge, and rotate the screws to compress the white gasket



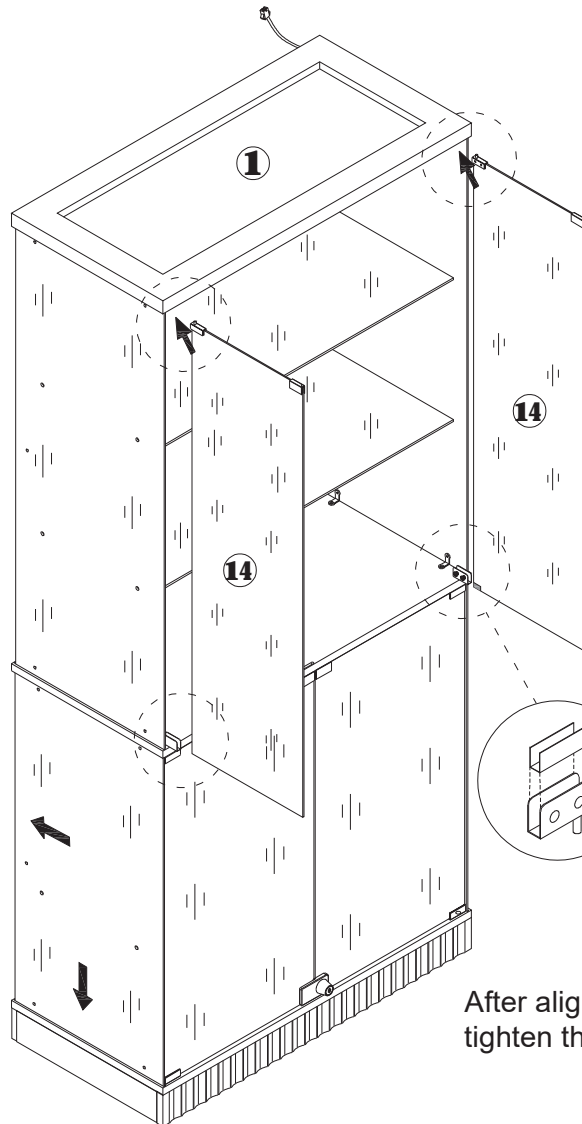
If you feel loose, please pinch the accessory before installation

### Step 44

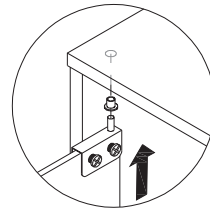
Pay attention to the direction of the door hinge during installation



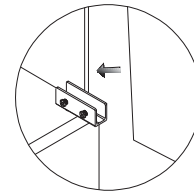
When installing a glass door, it is recommended to have two people install it to avoid the glass door colliding or hitting oneself.



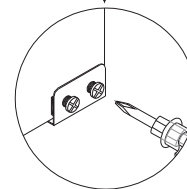
first



second

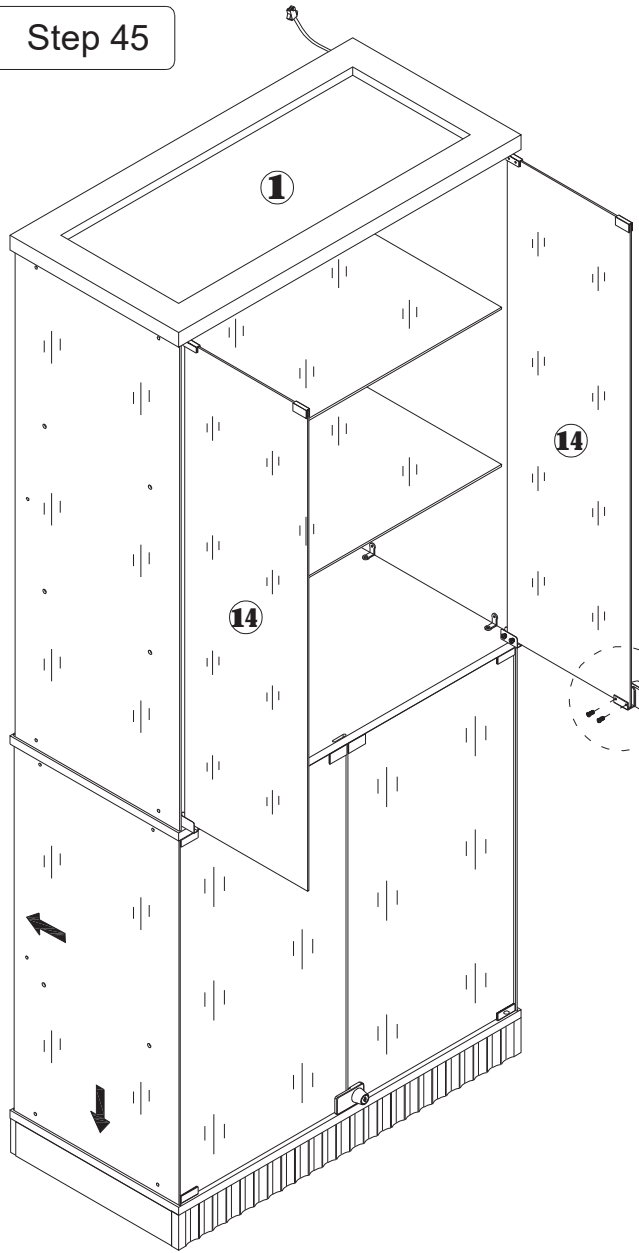
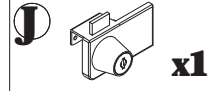


third

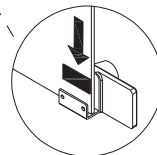


After aligning the glass door, tighten the screws to secure it.

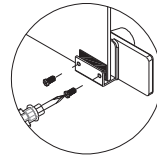
Step 45



first




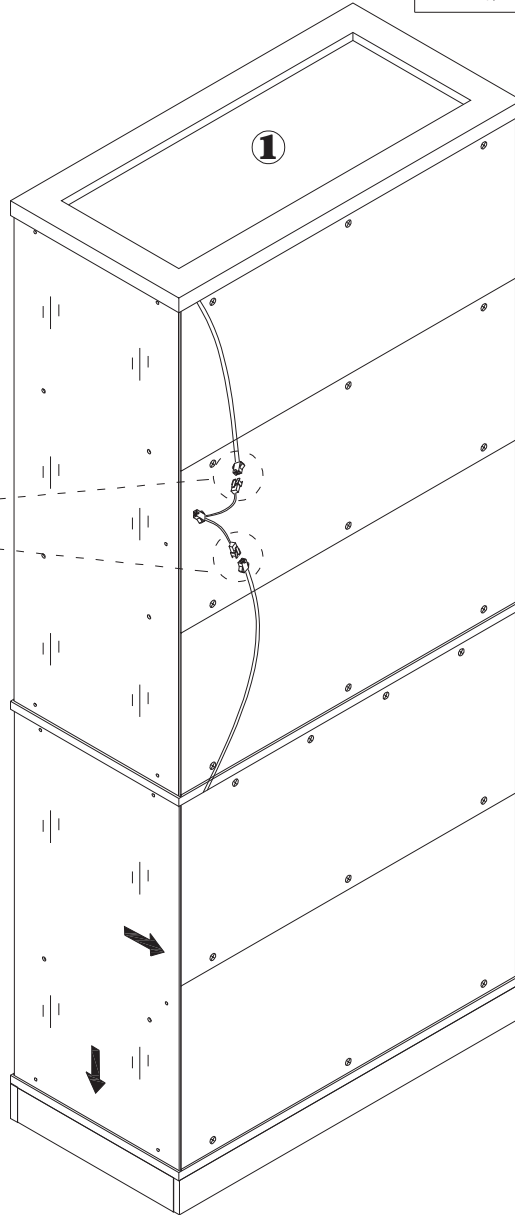
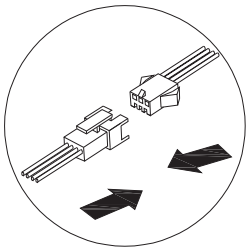
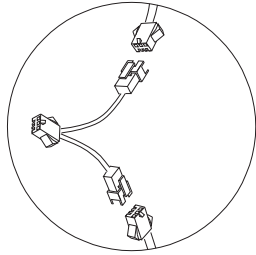
second




37

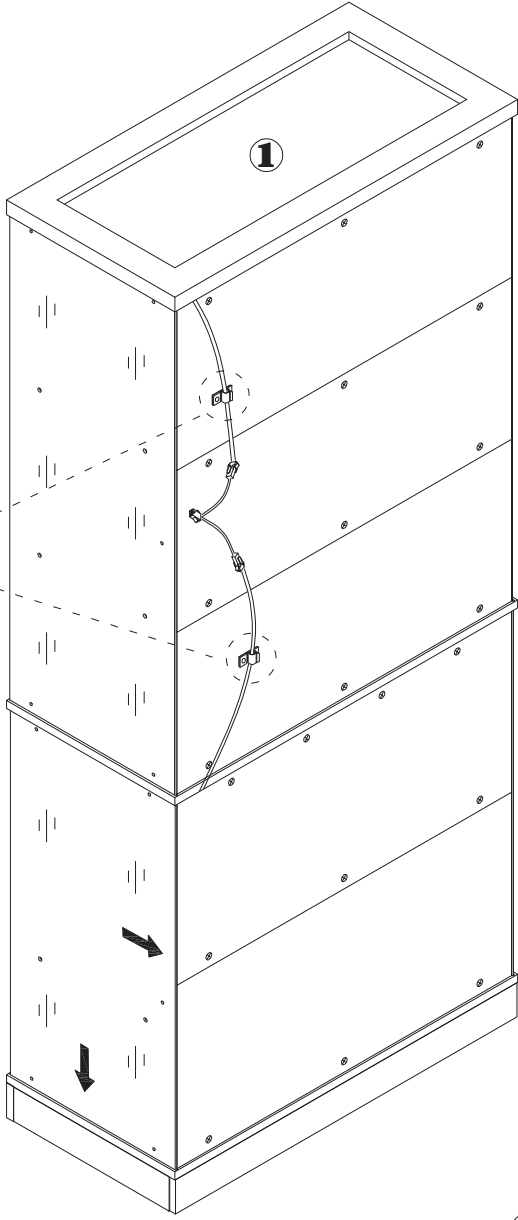
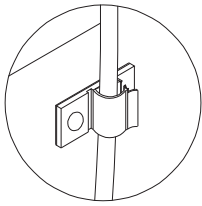
Step 46

**I**  **x1**

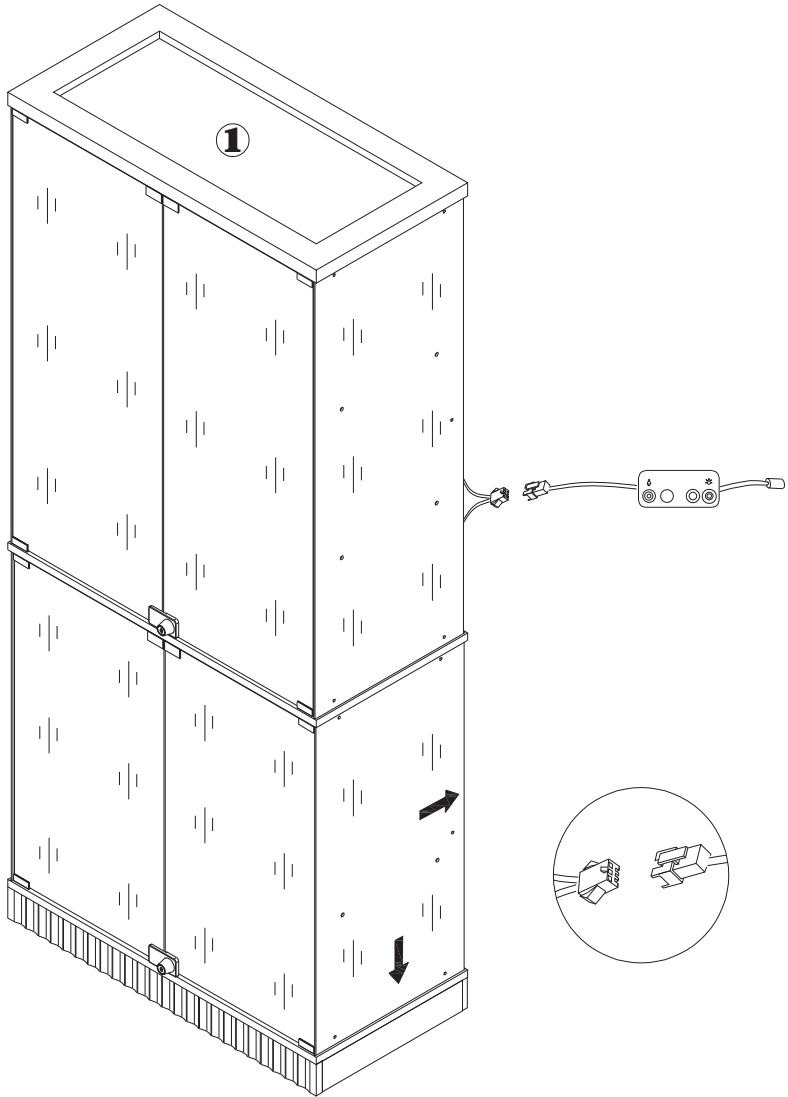
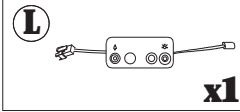


Step 47

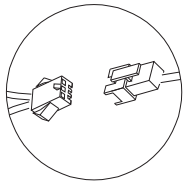
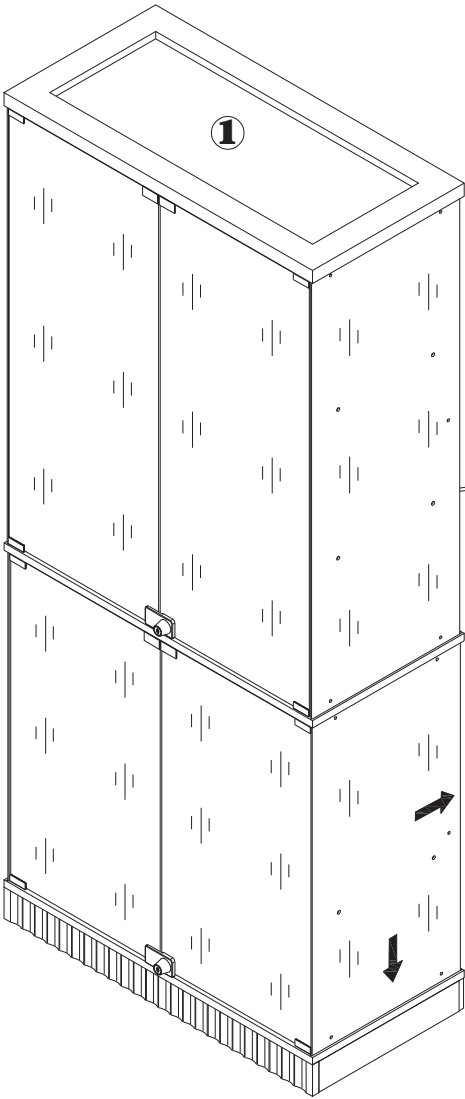
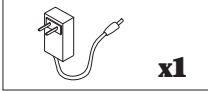
**K**  **x2**



Step 48

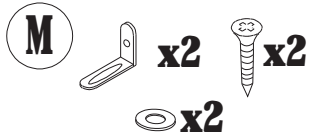


Step 49



Step 50

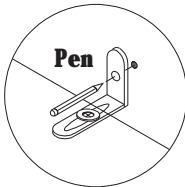
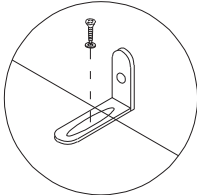
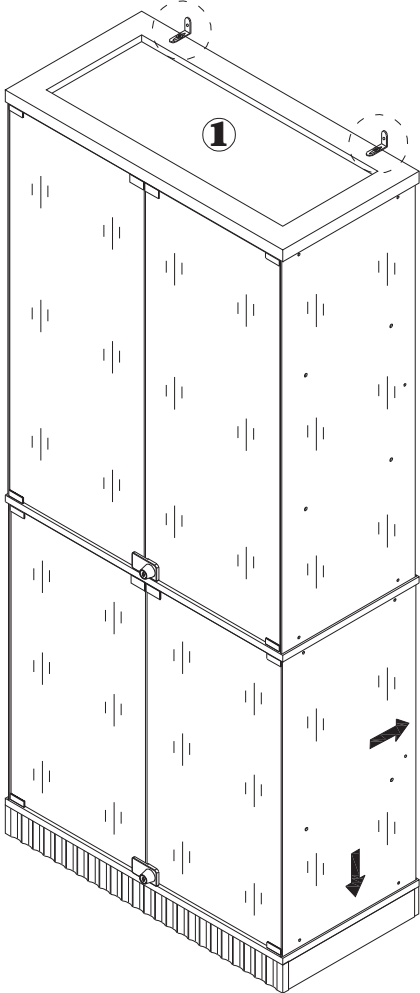
Install as required



3.5x14mm

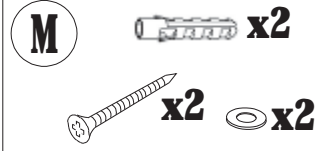
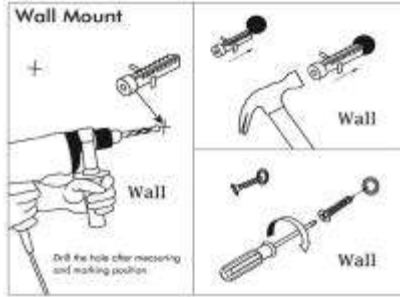


Install the anti fall hardware on the cabinet as shown in the picture first

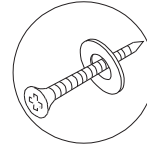
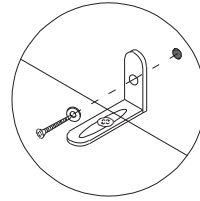
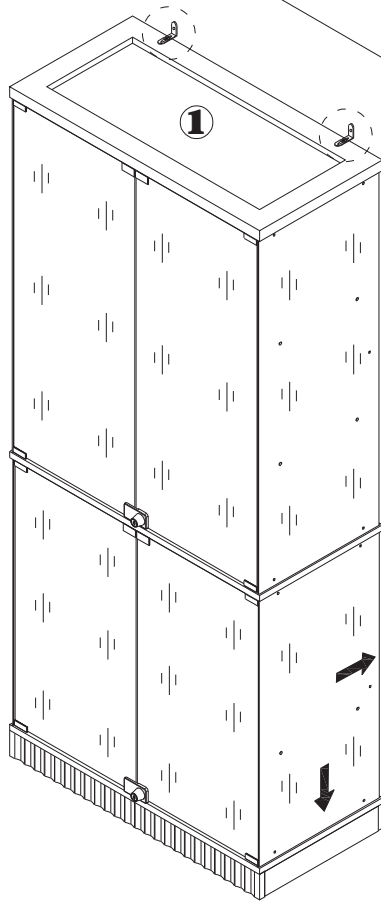


Then mark the wall with a pen through the holes in the anti-fall hardware

Step 51




Drill the hole with an electric drill and punch in the colloidal particles




4x45mm

Fix the dressing table to the wall


	<h3>User's Guide</h3> <p>Thank you for purchasing this product.</p> <p>To use this product, please plug it into a 12V DC power supply.</p> <p>Please use if the product works normally after connecting to power.</p> <h3>Introduction</h3> <p>The box is an intelligent controller. With 4 touch buttons, it can turn ON/OFF the light and turn ON/OFF the induction function, change light colors, and adjust the light luminance.</p>
---	--

**Operation**

This touch button is the master switch of the smart box, which can turn off all functions of the box and control the light strips on/off operation.


 The operation that can be turned on and off with just a light tap. Press and hold to adjust the brightness. Upon first power-up, the default light will be set to white.



This touch button is used to turn on/off the induction function.

 A. touch this button once to turn on the induction function (indicator light on). After the person leaves or remains stationary for more than 30 seconds, the light strip goes out; people and objects within a range of 1 meters move will light up the light strip.

B. Long press this button for 0.5 seconds to turn off the human body induction function (the indicator light goes out). At this point, keep the light strip as it was before turning off and no longer be affected by human and object activities. By default, induction function is enabled when powered on.

 This touch button is the Dynamic Phantom Color Mode, which includes 5 magical lighting effects. Simply tap to cycle through the options. (Attention: This mode cannot adjust the brightness)

 This touch button controls the single-color switching function of the light strips, offering 7 different colors to choose from.

<p>Phantom Color Mode Button      7-Color Mode Button</p>  <p>Induction Button      Master Switch Button</p>	<p> <b>ATTENTION PLEASE</b></p> <ol style="list-style-type: none"> <li>1. If there is no touch response suddenly, Re-plug the power to reset the touch static electricity.</li> <li>2. If you have any questions when installing, please feel free to contact us. Thank you.</li> </ol>
---	--