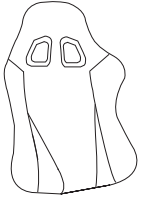

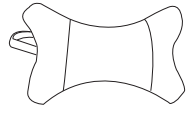
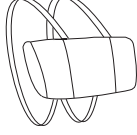
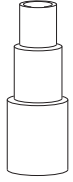
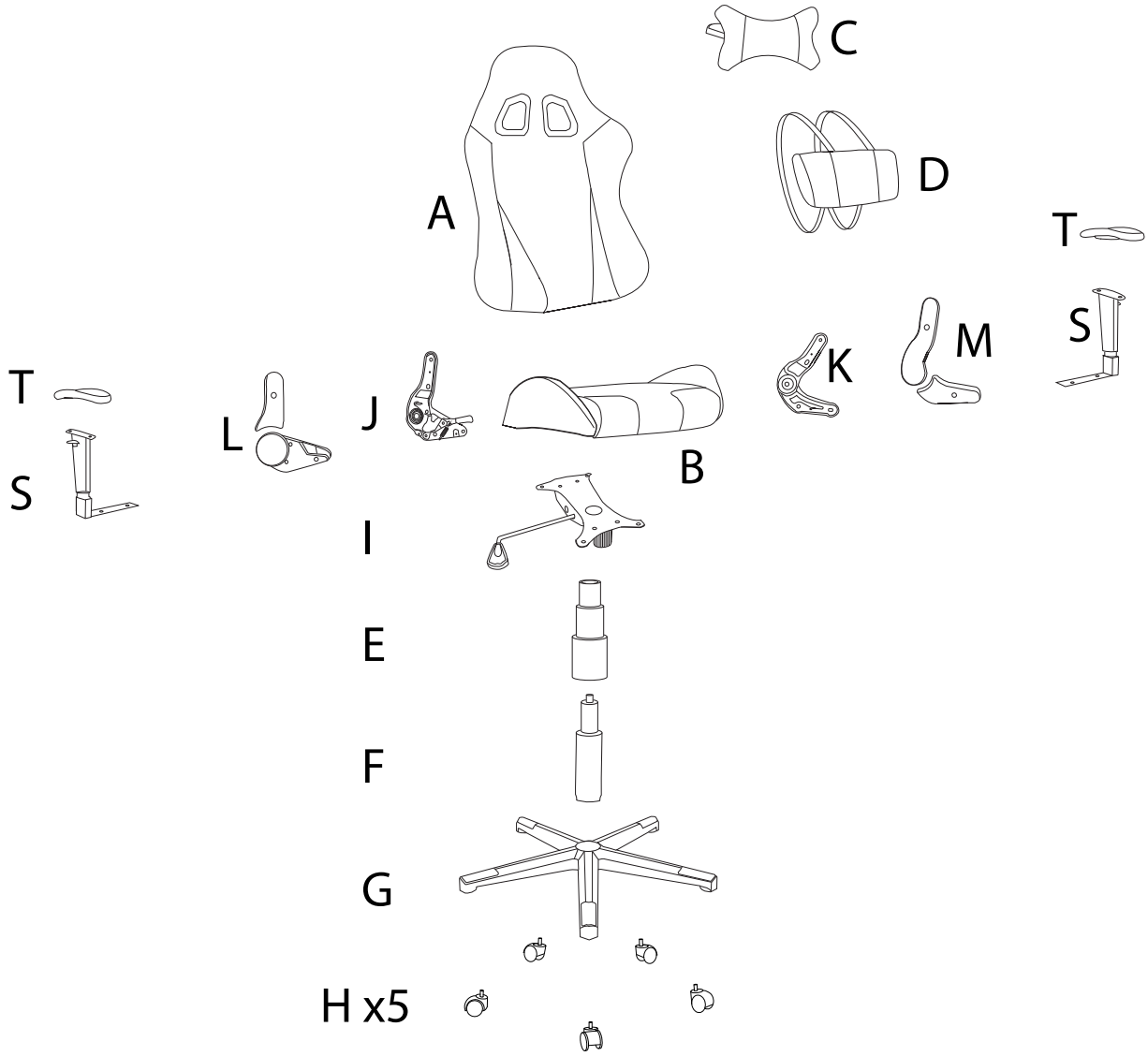

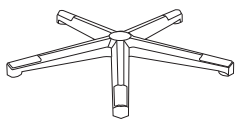
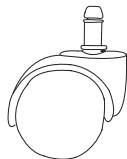
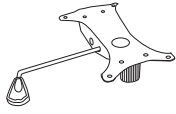
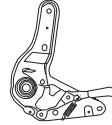




A circular icon containing an Allen key. To its right is a power drill with a diagonal line through it, indicating it should not be used.	A warning triangle with an exclamation mark inside.	A circular clock face with tick marks around the perimeter.
		30'
A circular icon containing a rectangular foam pad resting on a mat with a textured surface. To its right is a foam pad with a diagonal line through it, indicating it should not be used.	A warning triangle with an exclamation mark inside.	A simple line drawing of a person standing.
		1

A  x1	B  x1	C  x1	D  x1	E  x1
--	--	--	---	--



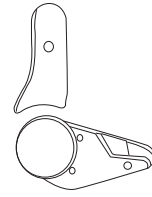
F  x1	G  x1	H  x5	I  x1	J  x1
--	--	--	---	--

K



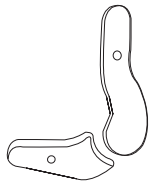
x 1

L



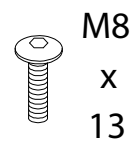
x 1

M



x 1

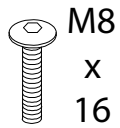
N



M8
x
13

x 4

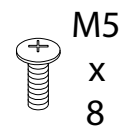
O



M8
x
16

x 12

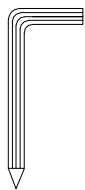
P



M5
x
8

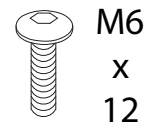
x 6

Q



x 1

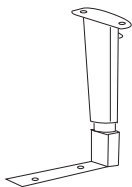
R



M6
x
12

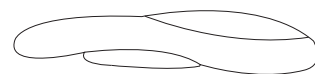
x 4

S



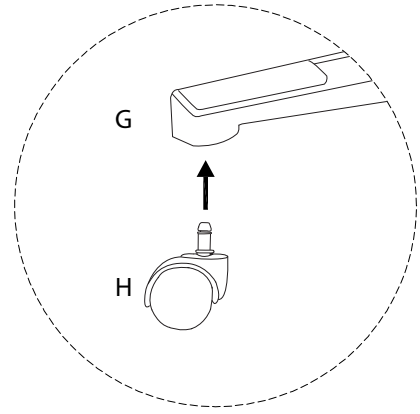
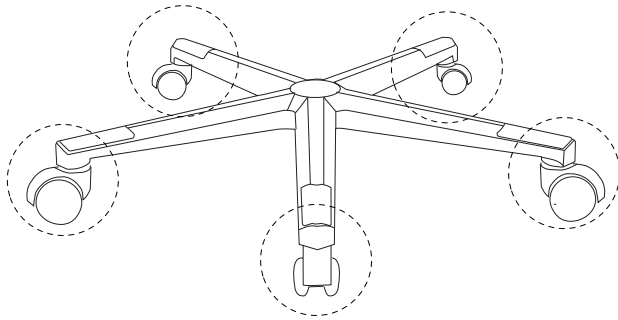
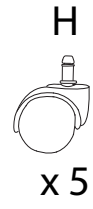
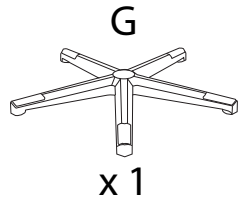
x 2

T

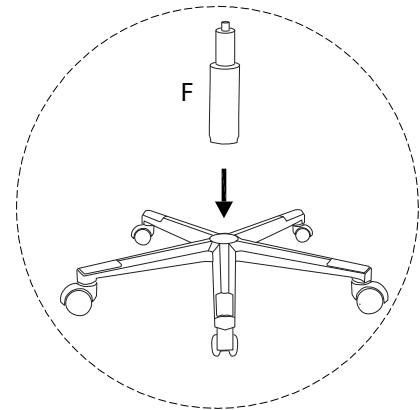
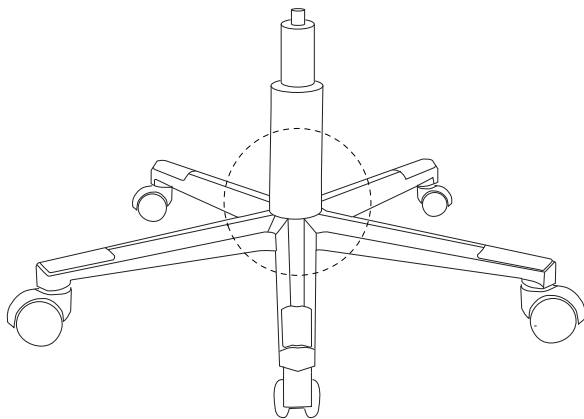
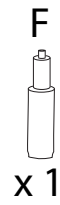


x 2

1



2

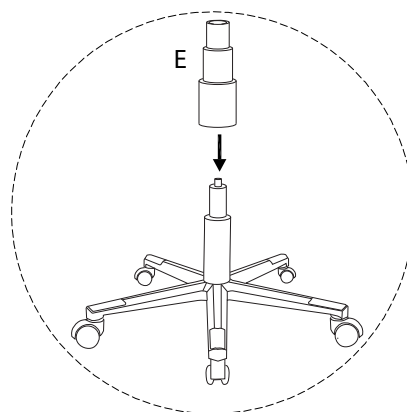
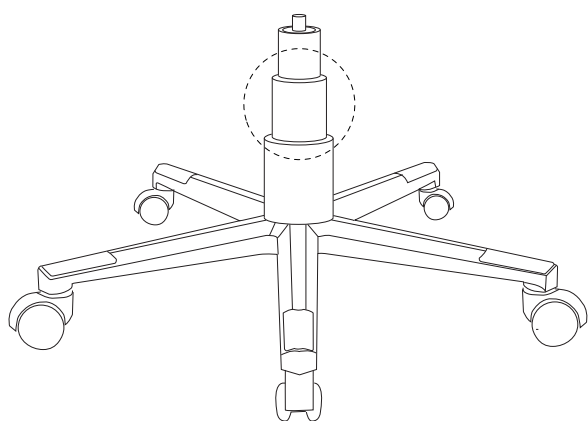


3

E

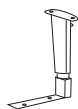


x 1



4 x 2

S



x 1

T



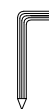
x 1

R

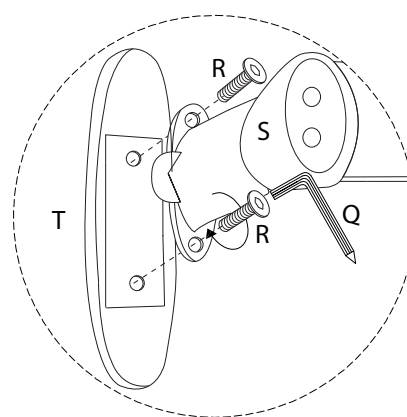
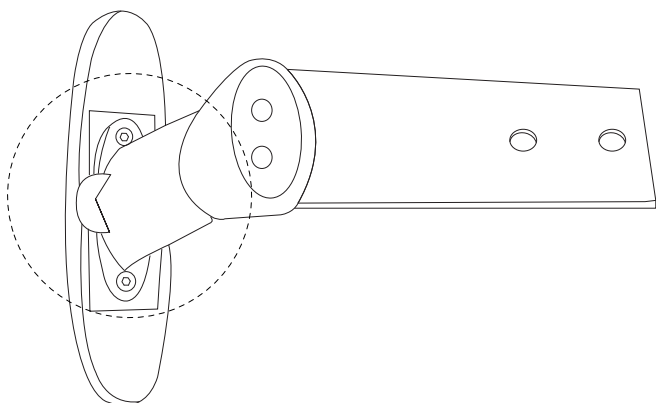


x 2

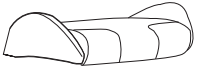



Q

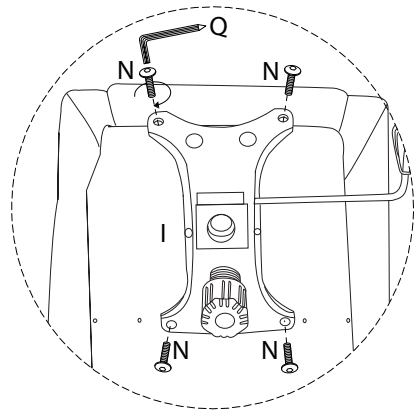


x 1


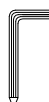


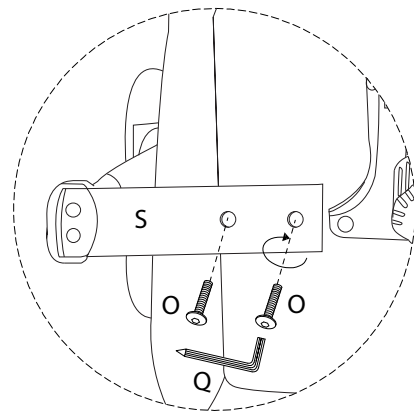
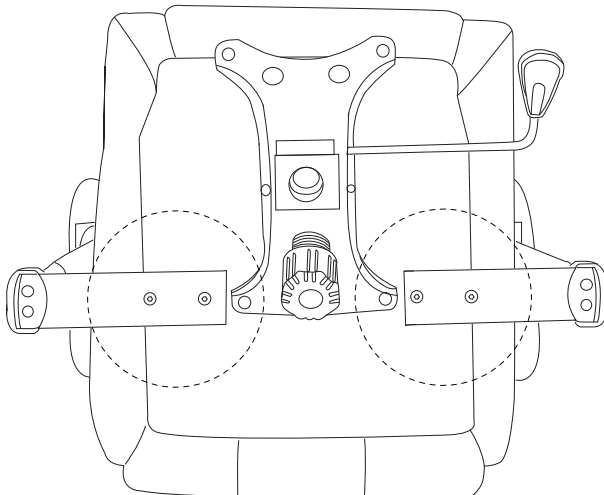
5

<p>B</p>  <p>x 1</p>	<p>I</p>  <p>x 1</p>	<p>N</p>  <p>M8 x 13</p> <p>x 4</p>	<p>Q</p>  <p>x 1</p>
--	--	--	--

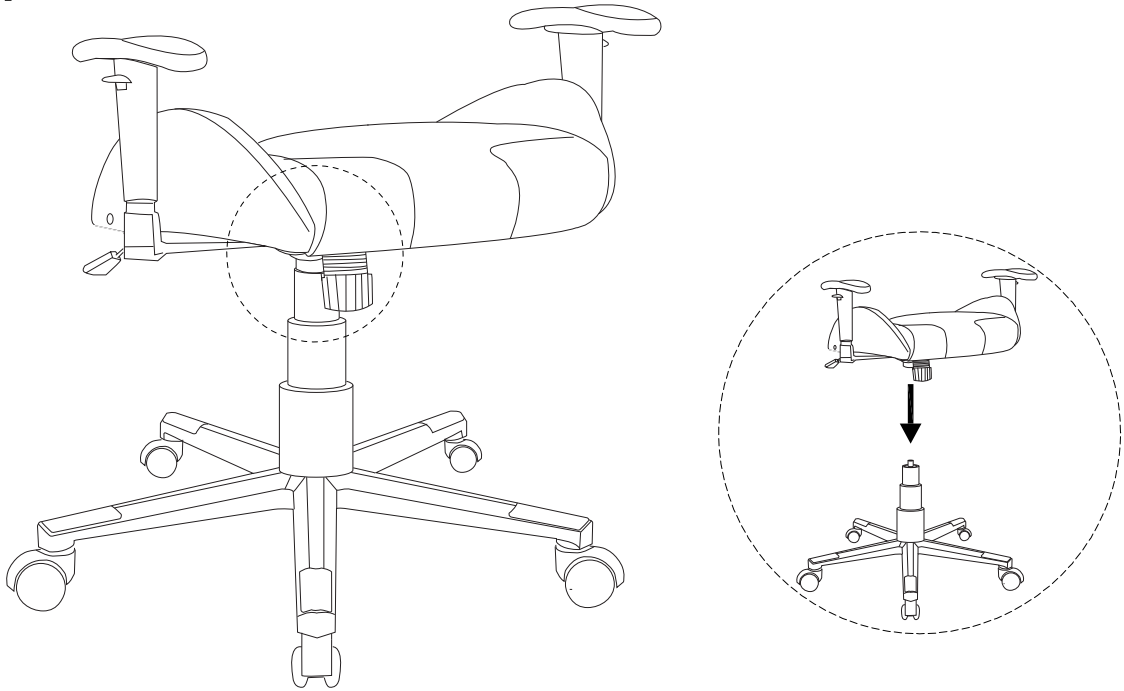


6

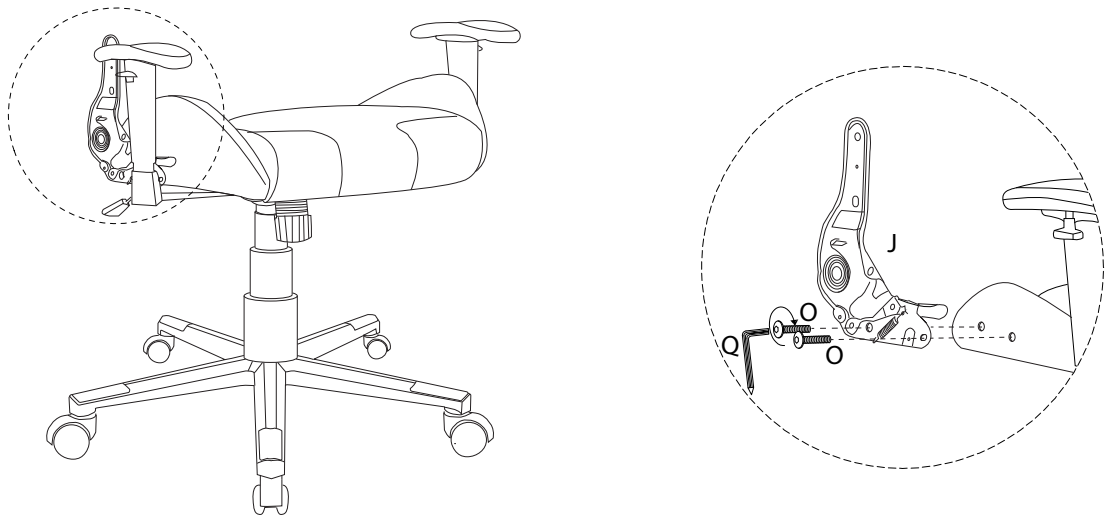
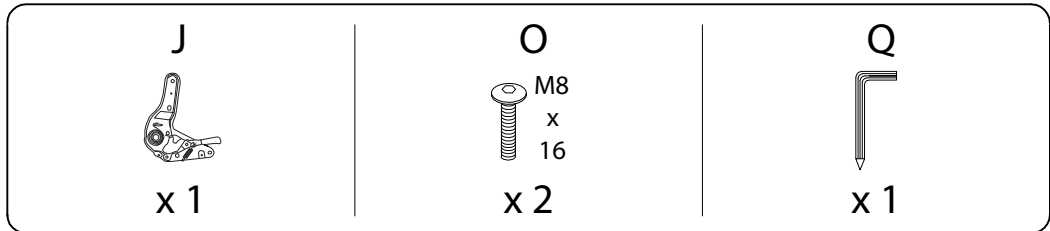
<p>O</p>  <p>M8 x 16</p> <p>x 4</p>	<p>Q</p>  <p>x 1</p>
---	--



7



8



9

K



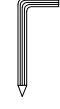
x 1

O

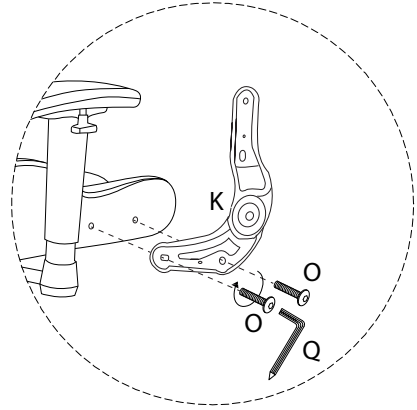
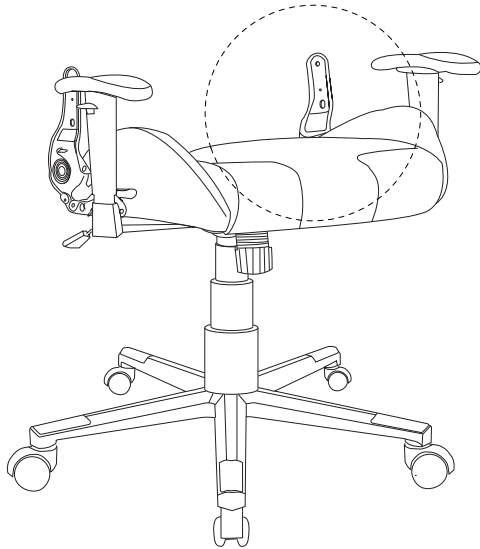


x 2

Q



x 1



10

A



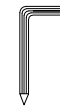
x 1

O

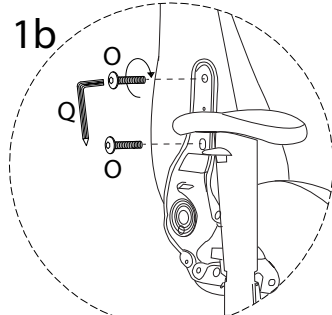
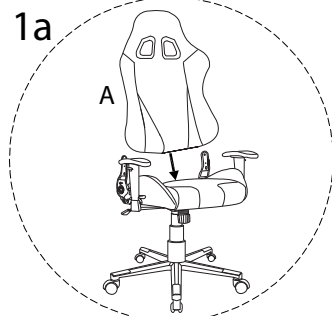
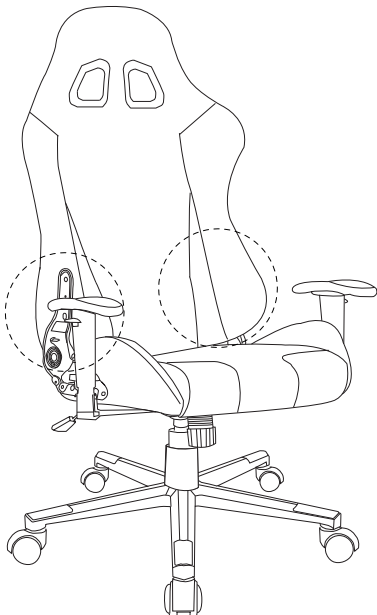


x 4

Q



x 1



11

L



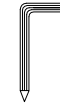
x1

P

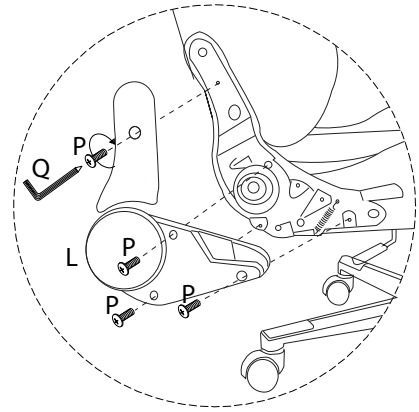
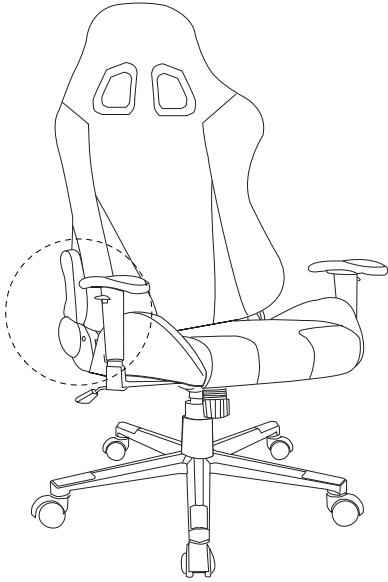


x4

C

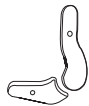


x1



12

M



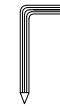
x1

P

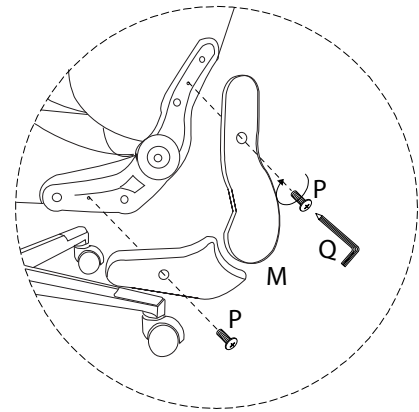


x2

Q

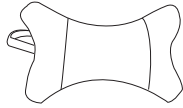


x1



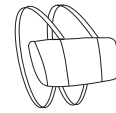
13

C

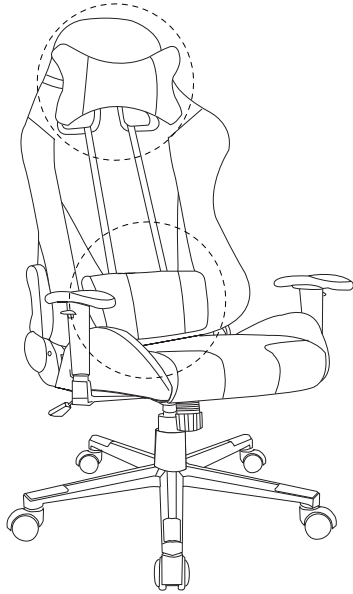


x1

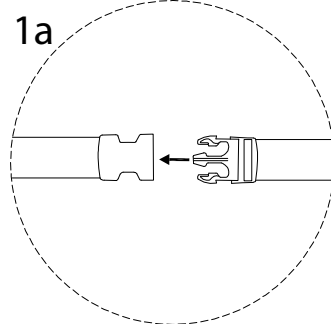
D



x1



1a



1b

