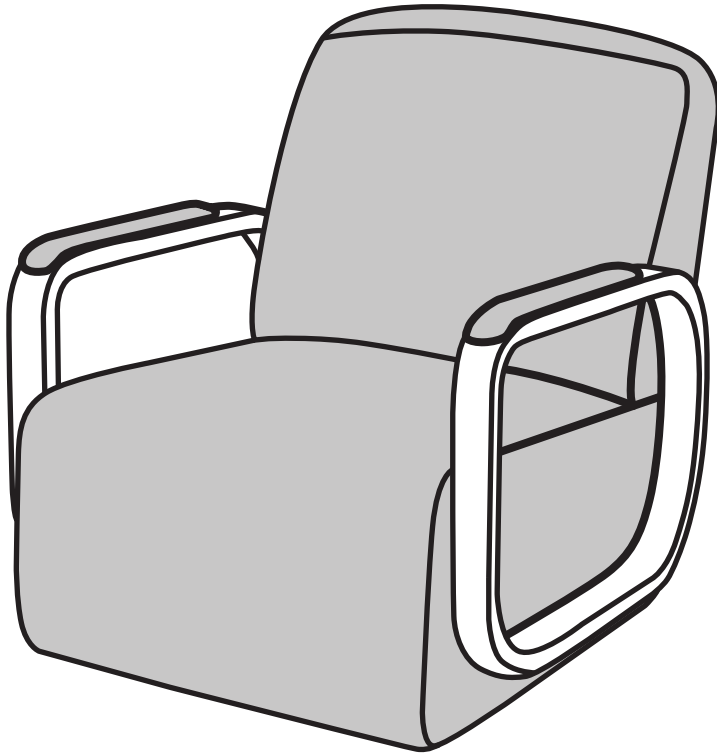


Sofa

Complete drawing display



Safety And Care Advice

Important - Please read these instructions carefully before installing

Thank you for choosing our product.

Assemble and operate this product with care. Please read this instruction before beginning the installation, and carefully follow all instructions contained herein.

Use proper safety equipment during installation. Choose a clean, level, spacious assembly area. Avoid hard surfaces that may damage the product.

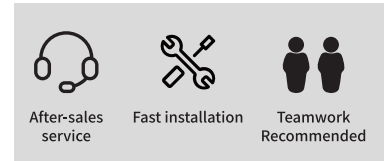
Take care when lifting. Ensure that you have all required contents for complete assembly.

Please keep the instruction manual properly. For inquiries, technical support, or warranty claims, please contact our customer services team. We hope this manual provides you with all the necessary information to use and maintain your product effectively. Happy life!

Warnings :

Children are not allowed to assemble the product. During assembly, keep all small parts out of the reach of children as they may be fatal if swallowed or inhaled.

Do not place in front of a fire or other heat source.



Maintenance and Cleaning Methods

1. Regular Vacuuming: Make it a habit to vacuum your fabric sofa regularly, at least once a week, to remove dust, dirt, and crumbs. Use a soft brush attachment to prevent damage to the fabric.

2. Spot Cleaning: Deal with spills and stains immediately to prevent them from setting into the fabric. Blot the spill with a clean cloth or paper towel to absorb as much liquid as possible, then use a mild detergent mixed with water to gently clean the area. Always test any cleaning solution on a hidden area of the sofa first to ensure it doesn't cause discoloration.

3. Professional Cleaning: Consider having your fabric sofa professionally cleaned at least once a year, especially if it's heavily used or if you have pets. Professional cleaners have the expertise and equipment to deep clean the fabric without causing damage.

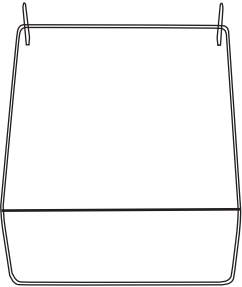
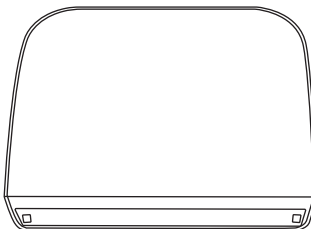
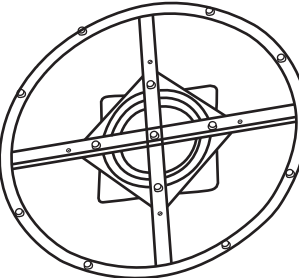
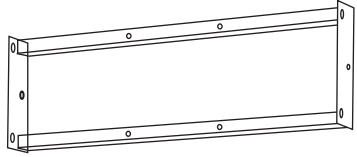
4. Fluff and Rotate Cushions: Regularly fluff and rotate the cushions on your sofa to ensure even wear and maintain their shape. This will help prevent sagging and prolong the life of the sofa.

5. Protect from Sunlight and Pets: Position your fabric sofa away from direct sunlight to prevent fading and discoloration. If you have pets, consider using a protective cover or blanket to minimize damage from claws and hair.

By following these maintenance and cleaning tips, you can keep your fabric sofa looking fresh and inviting for years to come.

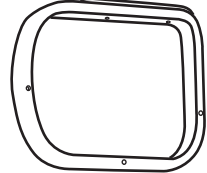
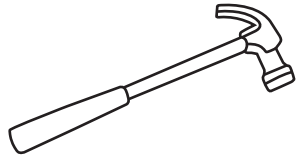
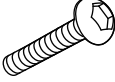

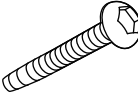



Parts List

The parts list is shown below

illustration	description	quantity
	SEAT	A×1
	BACKREST	B×1
	TURNPLATE	C×1
	BOTTOM FRAME	D×1

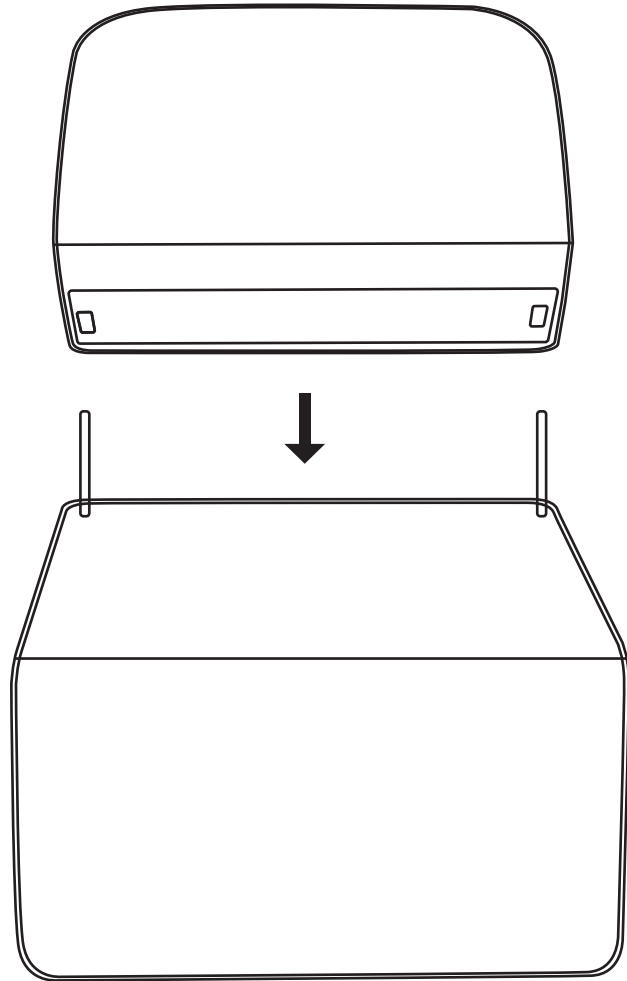
Parts List

The parts list is shown below

illustration	description	quantity
	ARMREST	E×2
	HAMMER	F×1
	M6*20	G×6
	M6*20	H×4
	M6*60	I×6
	ALLEN WRENCH	J×1
	WOODEN PLUG	K×6
	GASKET	L×10

Installation Procedure

Specific operations are shown in the following figure

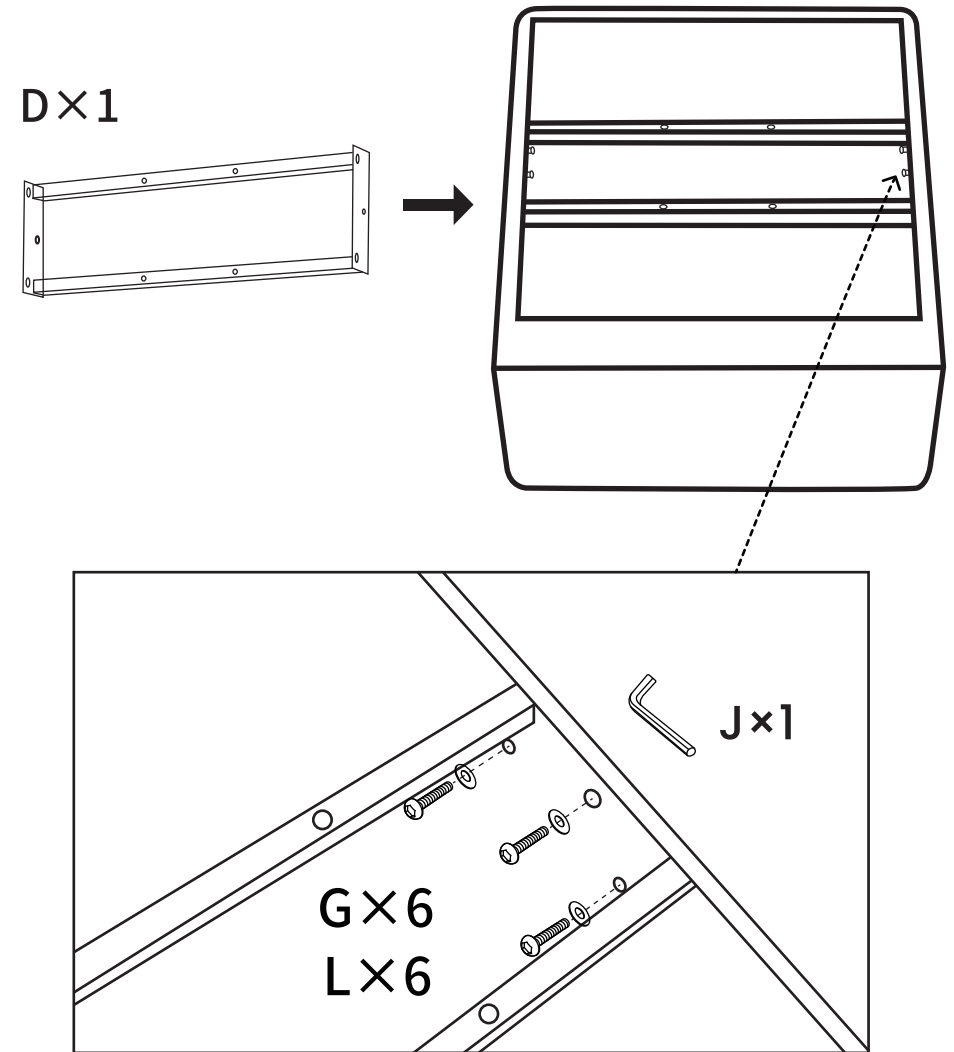


STEP 1: Attach backrest to seat bracket

5

Installation Procedure

Specific operations are shown in the following figure

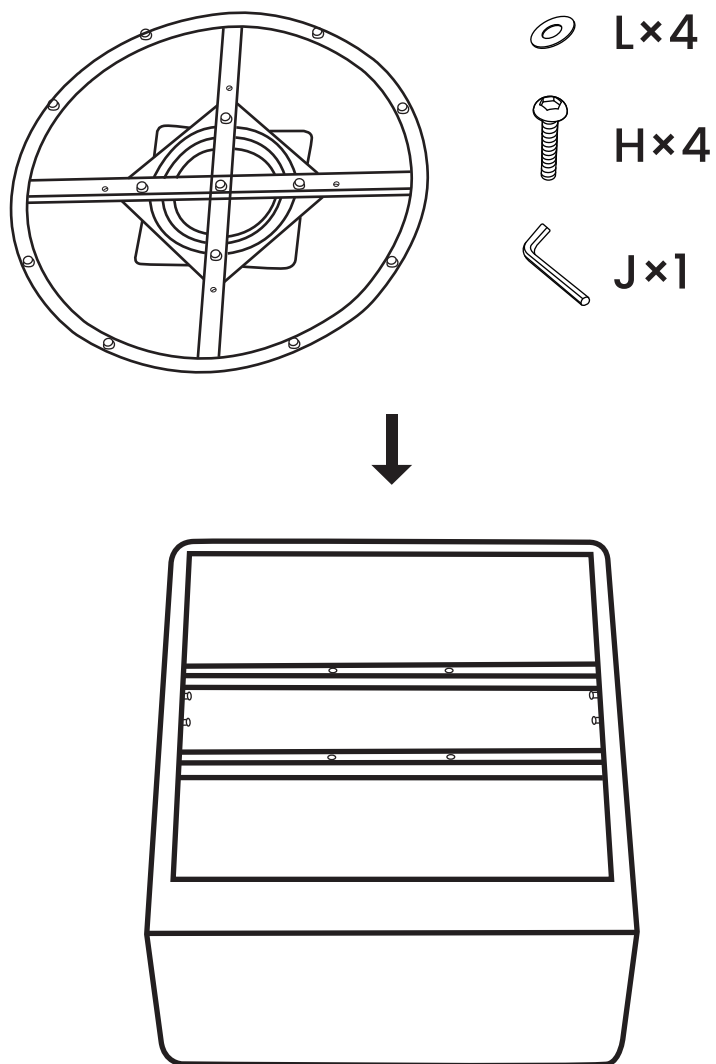


STEP 2: The support bracket at the base of the mounting seat frame.

6

Installation Procedure

Specific operations are shown in the following figure

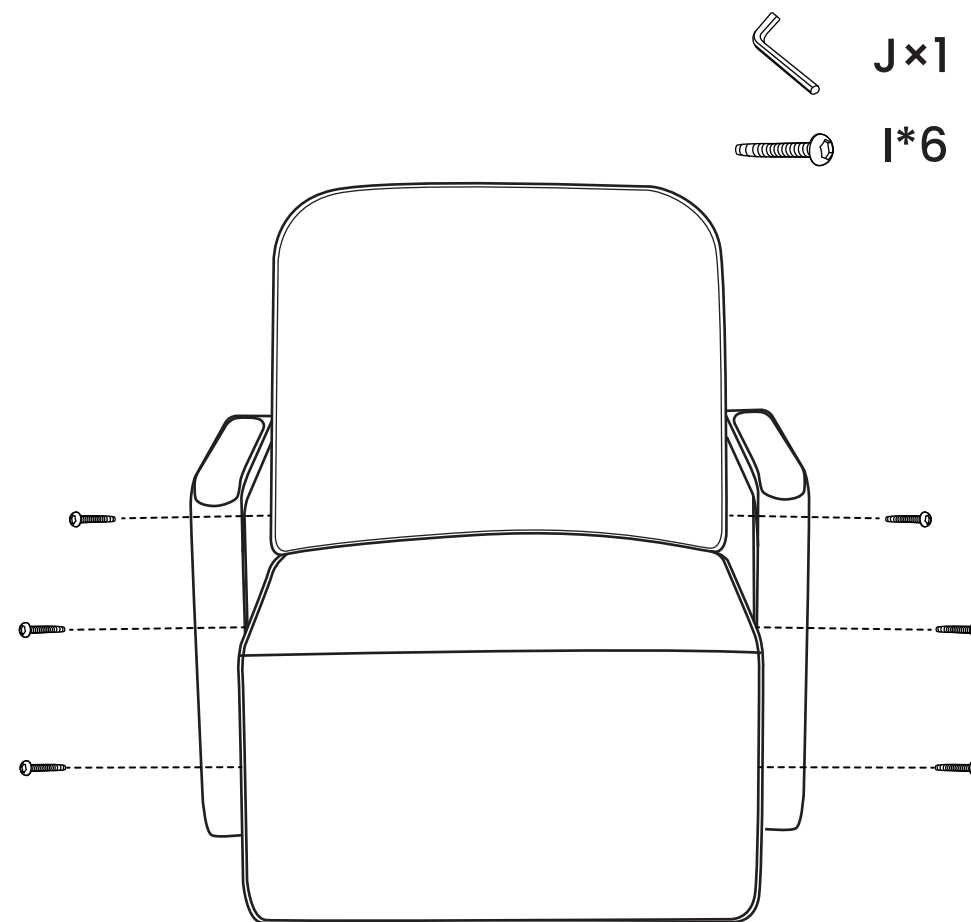


STEP 3: Install the turnplate on the bracket.

6

Installation Procedure

Specific operations are shown in the following figure



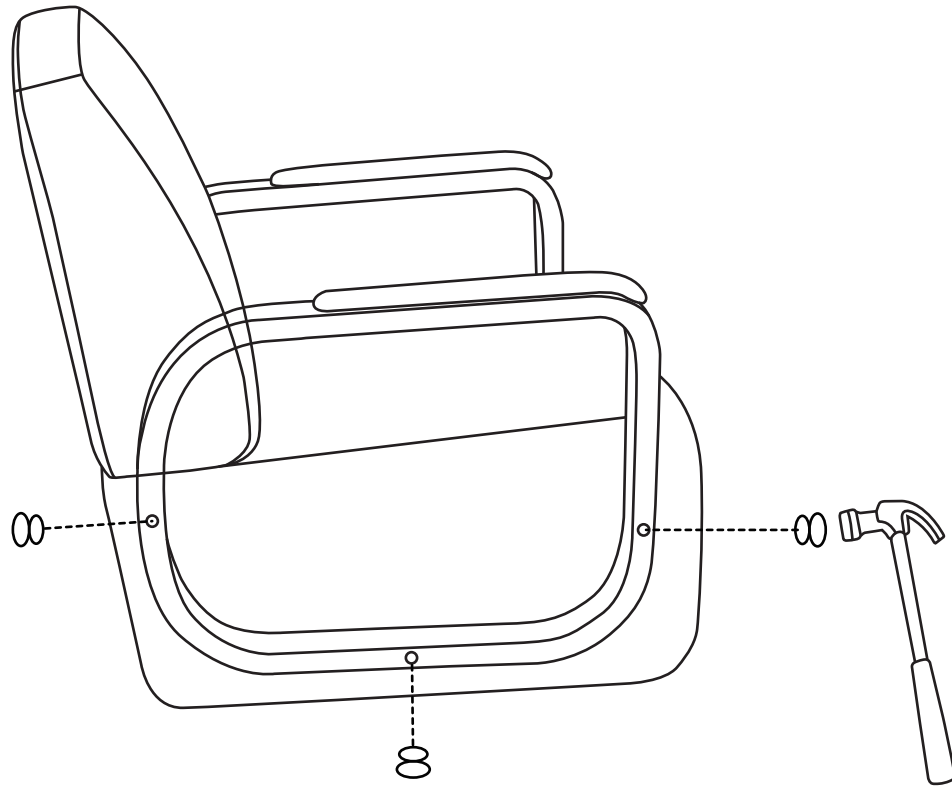
STEP 4: Attach the armrest.

7

Installation Procedure

Specific operations are shown in the following figure

K*6



STEP 5: Insert the wooden plug into the hole of the armrest, then gently tap it with a hammer to flatten the surface.

Installation Procedure



Should you have any questions,
don't hesitate to reach out to us!