

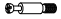









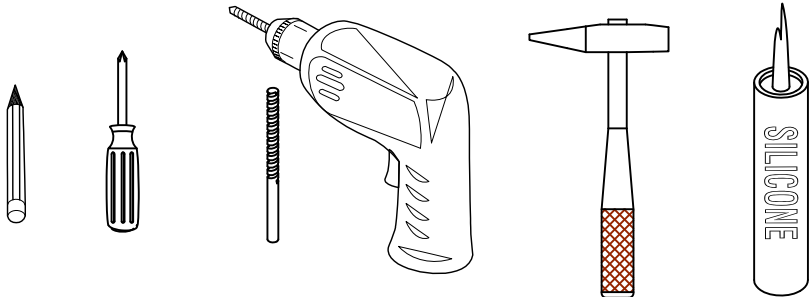


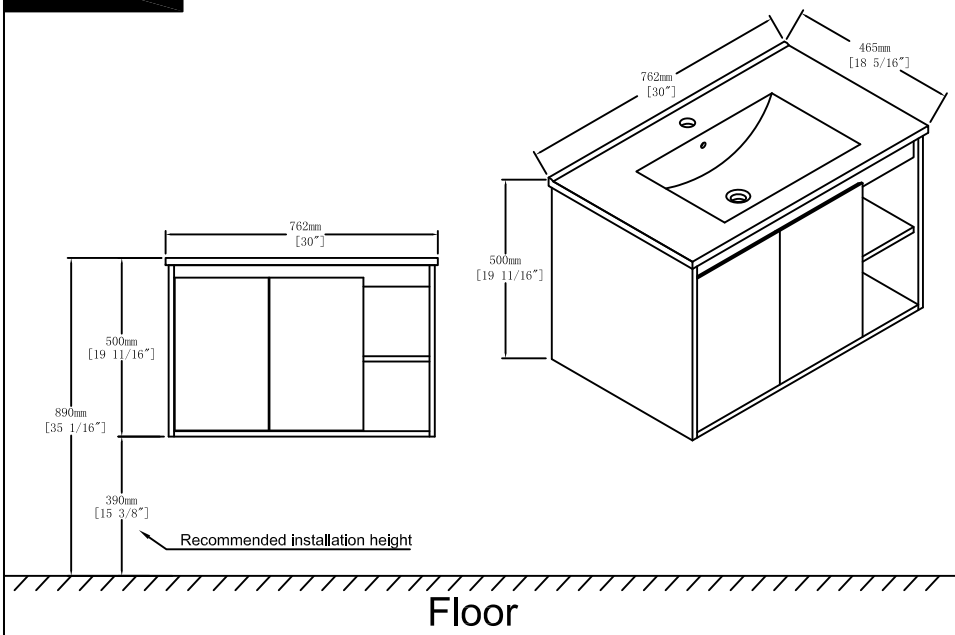
Hardware

NO.	Draw	QTY	NO.	Draw	QTY
A	 Screws Ø4x14mm	44	I	 Hinges (Internal hiding)	2
B	 Two-in-one connector	31	J	 Hinges (Full cover)	2
C	 Two-in-one connector	31	K	 Anti-collision gasket	4
D	 Wood plug	7	L	 Screwdriver	1
E	 Plastic anchor(Ø10mm)	4			
F	 Screws for fix on the wall	4			
G	 Bracket (53x70x44mm)	2			
H	 Bracket (19x19x35mm)	2			

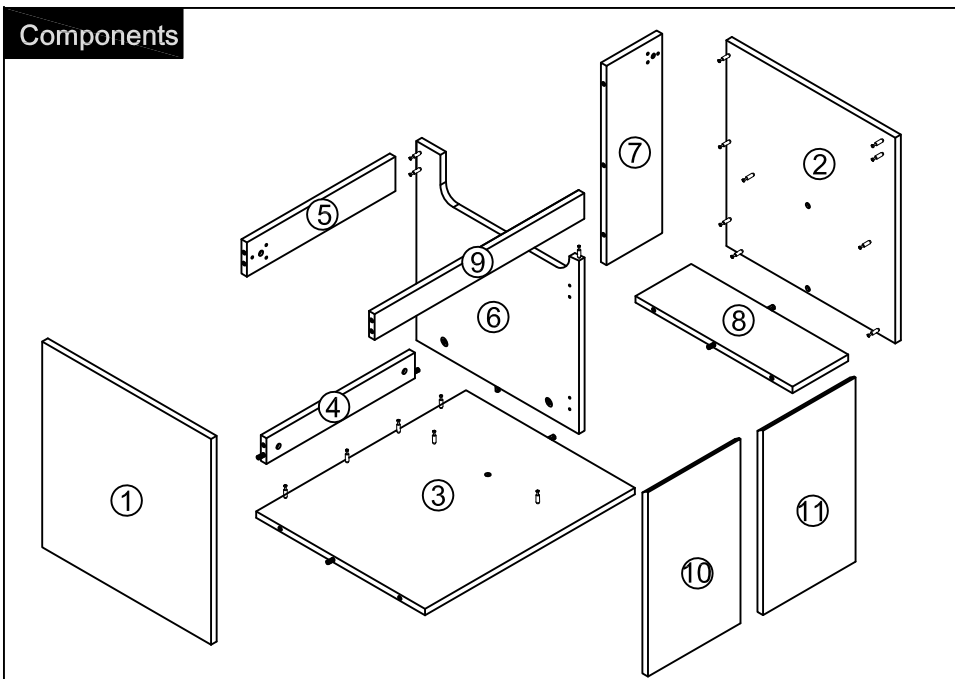
Recommended tools



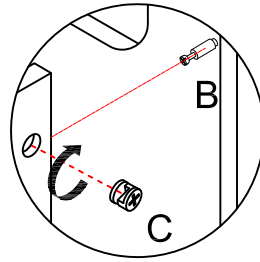
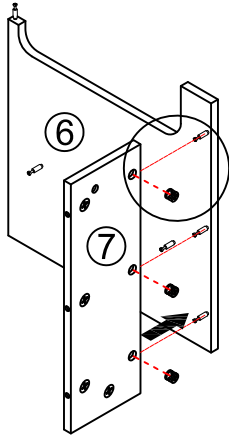
Dimensions



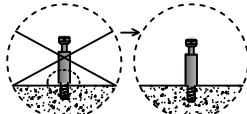
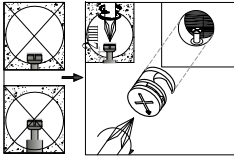
Components



Step 1

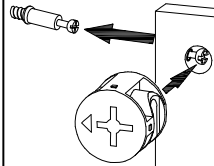


	x3
B	
	x3
C	
	x1
L	

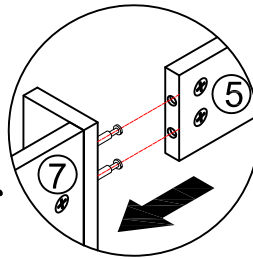
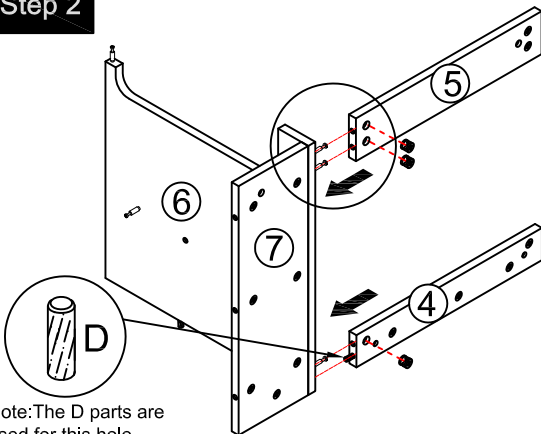


Notes: Screw installation depth as shown

Attention: Cam lock arrow point to the steel rod.

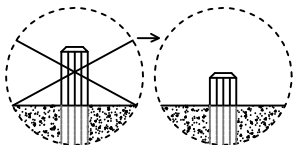


Step 2

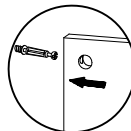


	x3
B	
	x3
C	
	x1
D	
	x1
L	

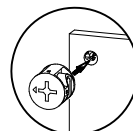
Note: The D parts are used for this hole



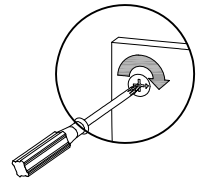
first step



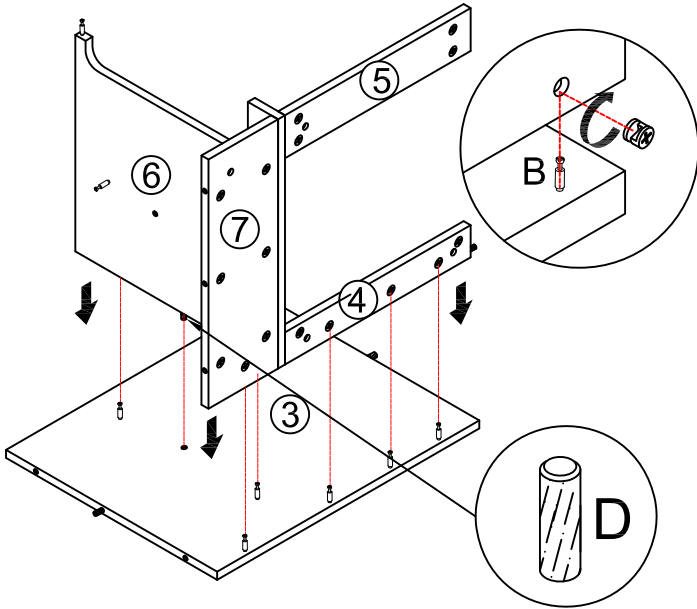
second step

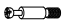


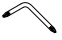


third step



Step 3

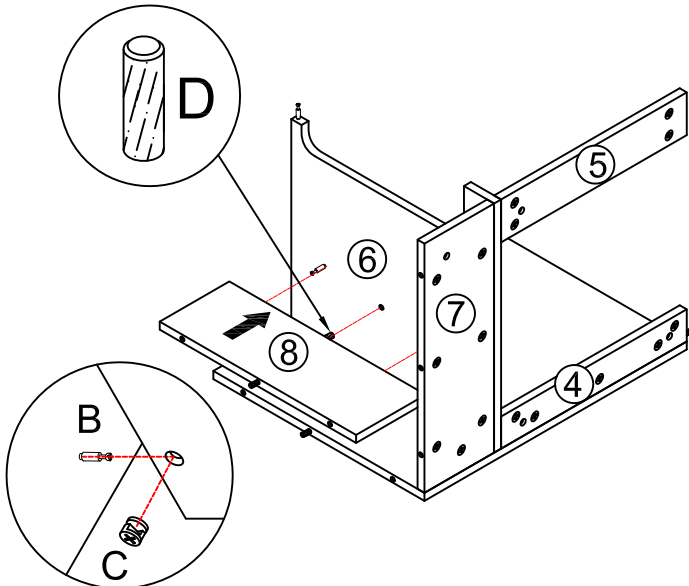


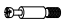


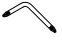
	x6
B	
	x6
C	
	x1
D	
	x1
L	

Note: The D parts are used for this hole

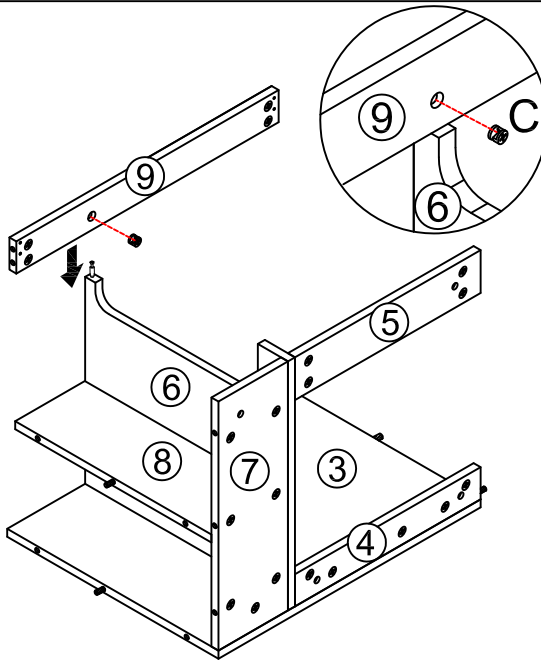
Step 4

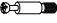

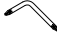
Note: The D parts are used for this hole



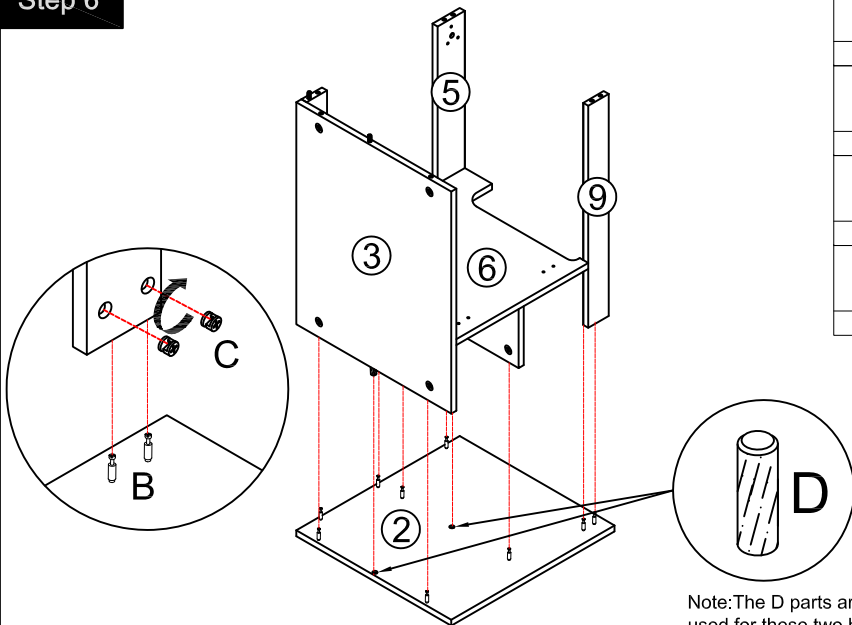
	x2
B	
	x2
C	
	x1
D	
	x1
L	

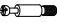


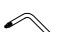
Step 5



	x1
B	
	x1
C	
	x1
L	

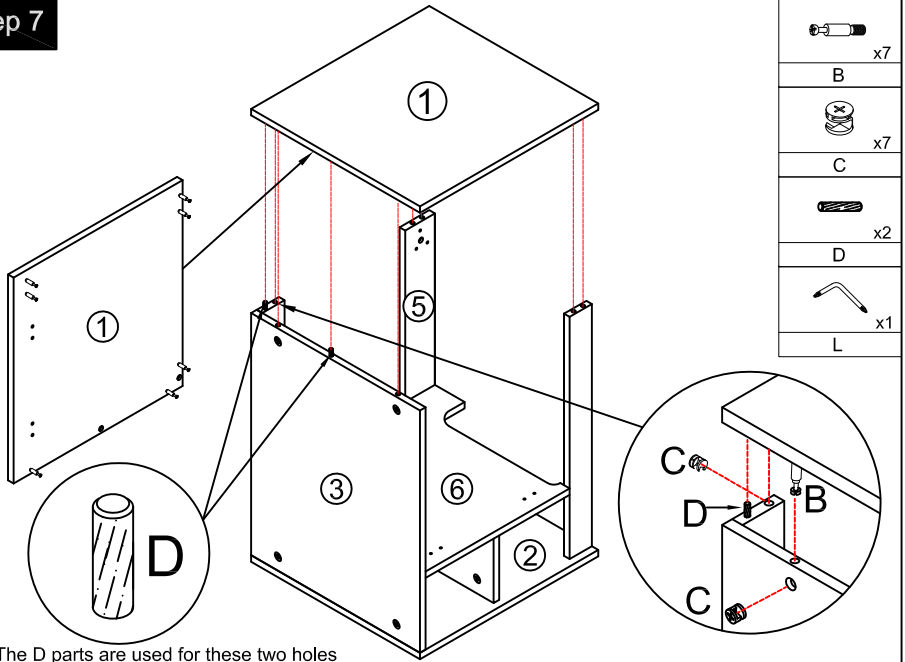
Step 6



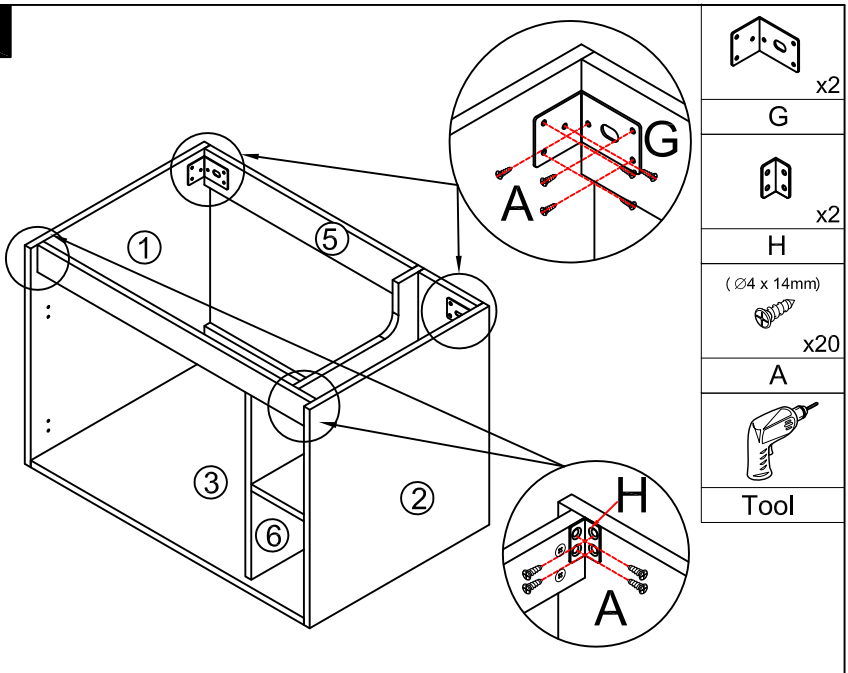
	x9
B	
	x9
C	
	x2
D	
	x1
L	

Note: The D parts are used for these two holes

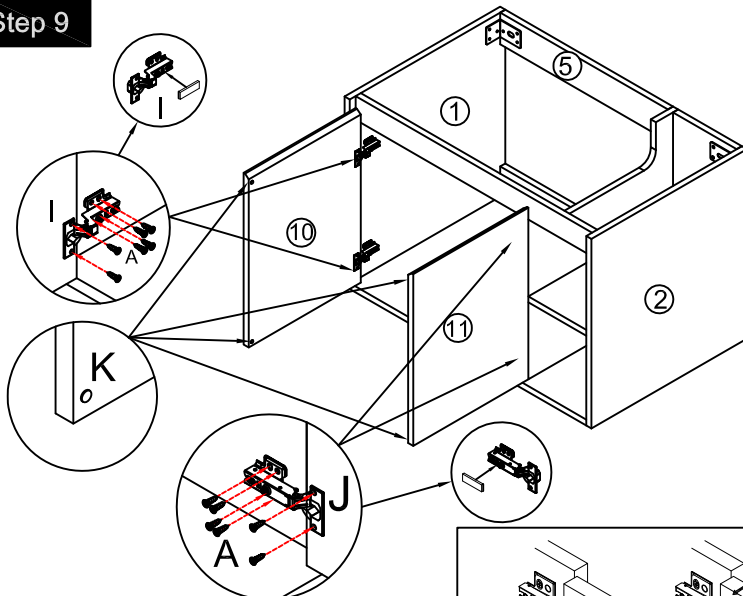
Step 7








Step 8

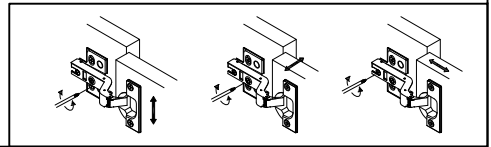


Step 9

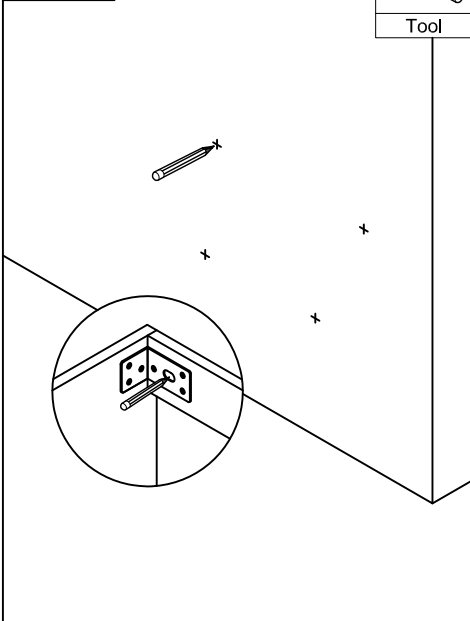
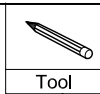


-  x2
- I**
-  x2
- J**
- ($\varnothing 4 \times 14\text{mm}$)
-  x24
- A**
-  x4
- K**
- 
- Tool**

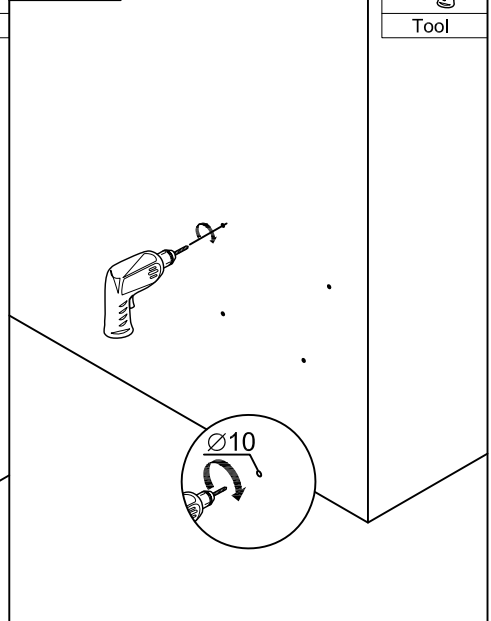
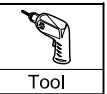
You can adjust the doors by tightening or loosening the screws on the hinge. →



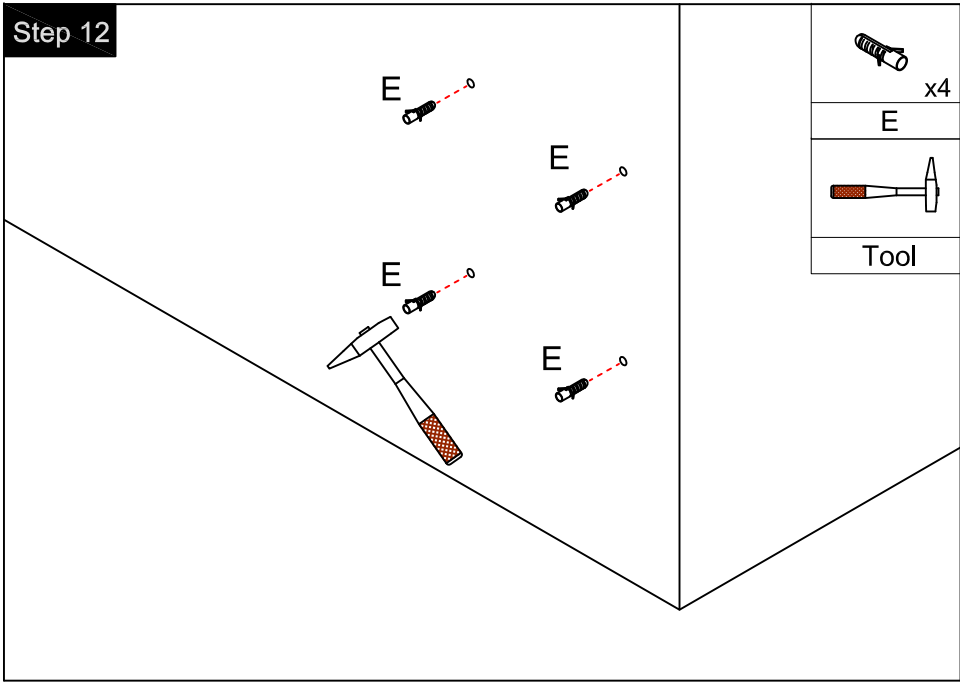
Step 10



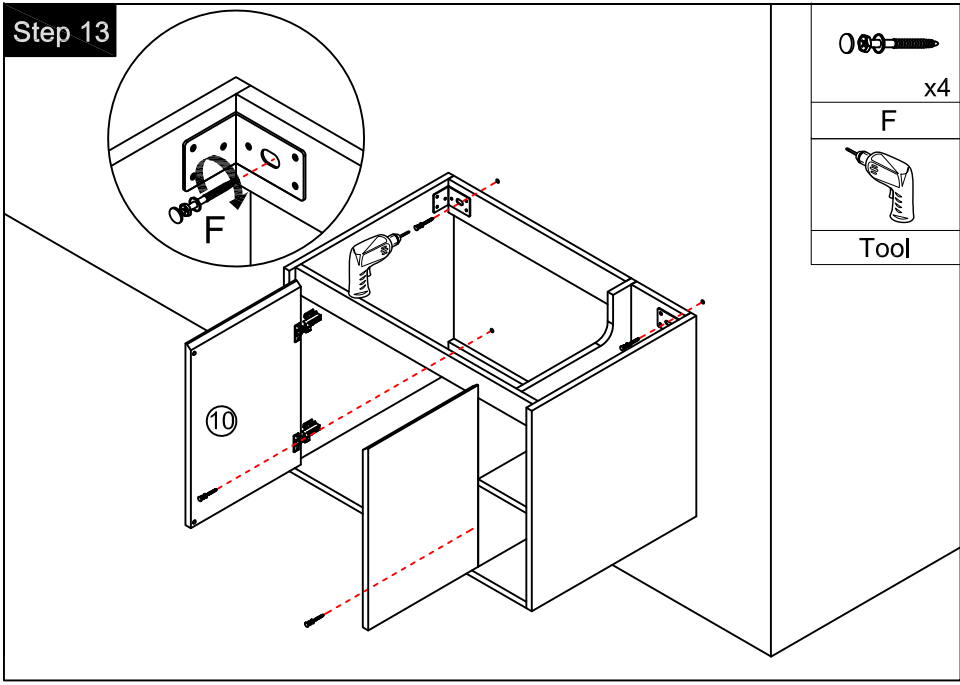
Step 11



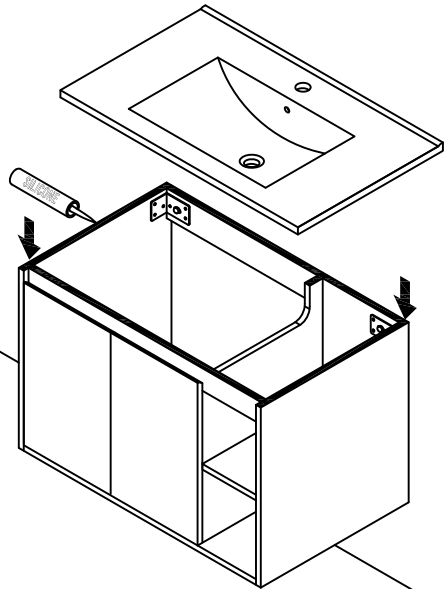
Step 12



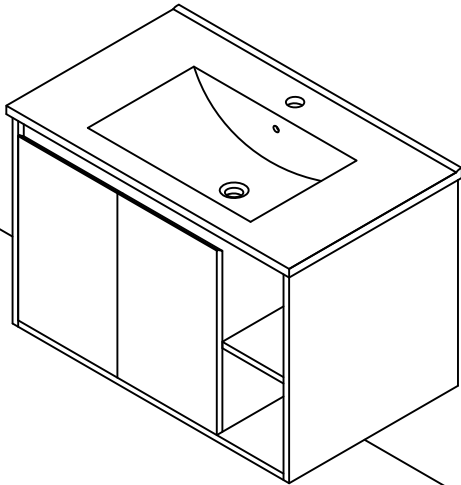
Step 13



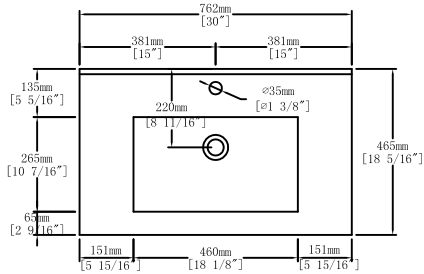
Step 14



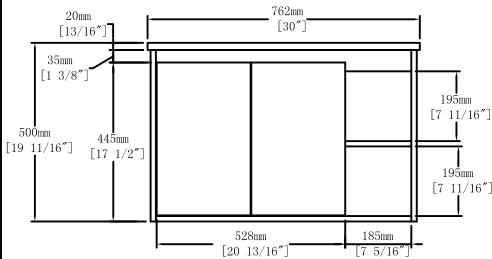
Finished



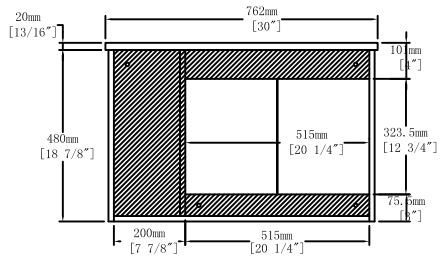
Dimensions



Top View



Front View



CARE CLEANING AND MAINTENANCE

1. Dust regularly with a soft , dry cloth.
2. Avoid the use of all chemicals household cleaners, abrasives, or cleaners that contain lemon, vinegar, or other acids that may damage the finish.
3. Excessive exposure to sunlight and extreme changes in temperature and moisture can damage wood furniture.
4. The sink top is resilient, but care needs to be taken to preserve its appearance.
5. Do not place hot appliances, such as curling irons and hot hair dryers directly on the countertop. Wipe spills immediately.