

Dining Chair

Model: 6032A

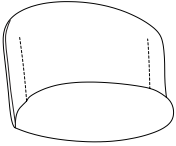


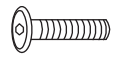
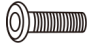



Made in China

INSTRUCTION MANUAL

Dining Chair

PARTS DESCRIPTION

A	B	C	D	E	F
x1	x1	x4	x4	x12	x1
			 M6*40mm	 M6*20mm	

ASSEMBLY STEPS

