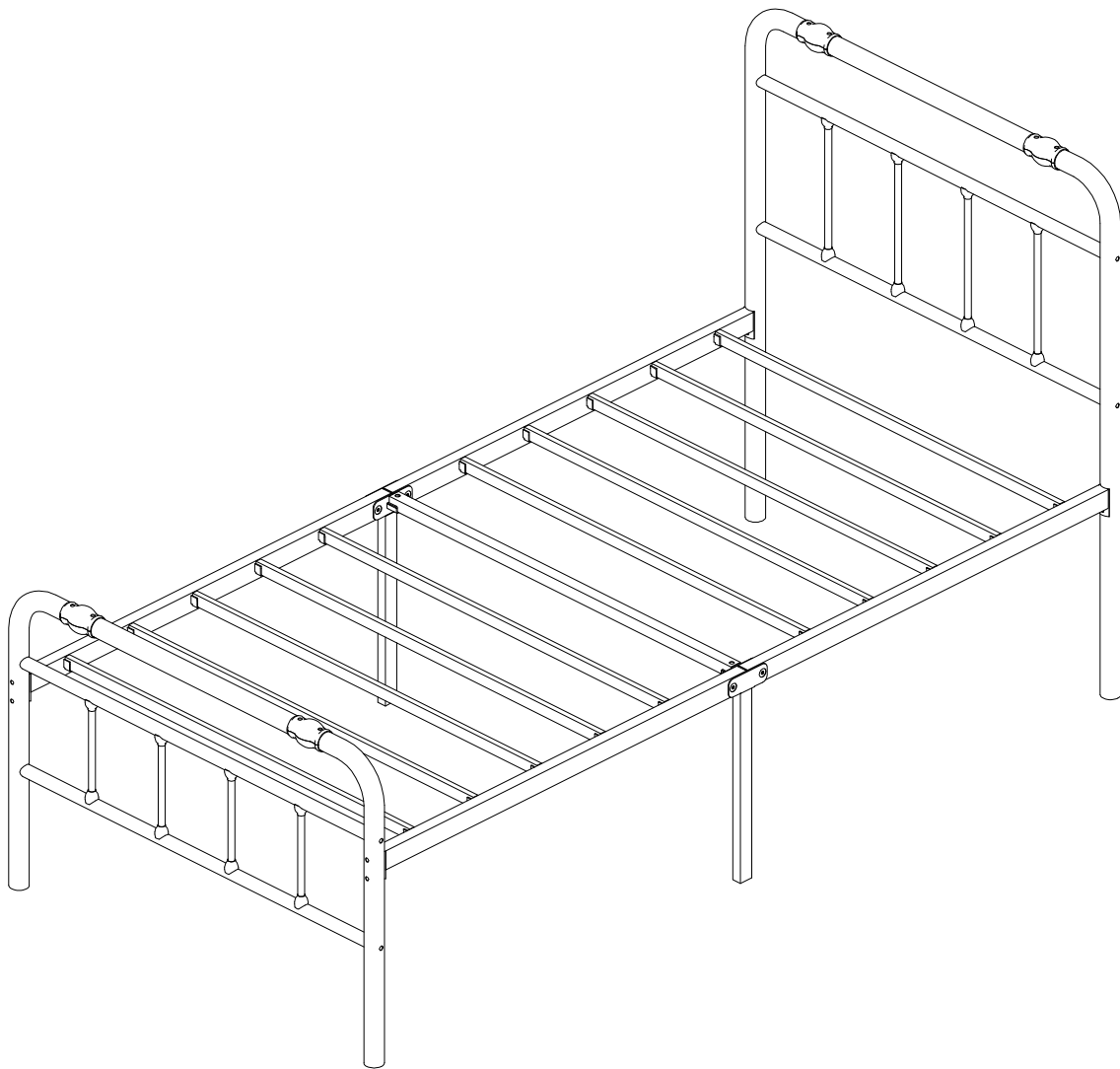


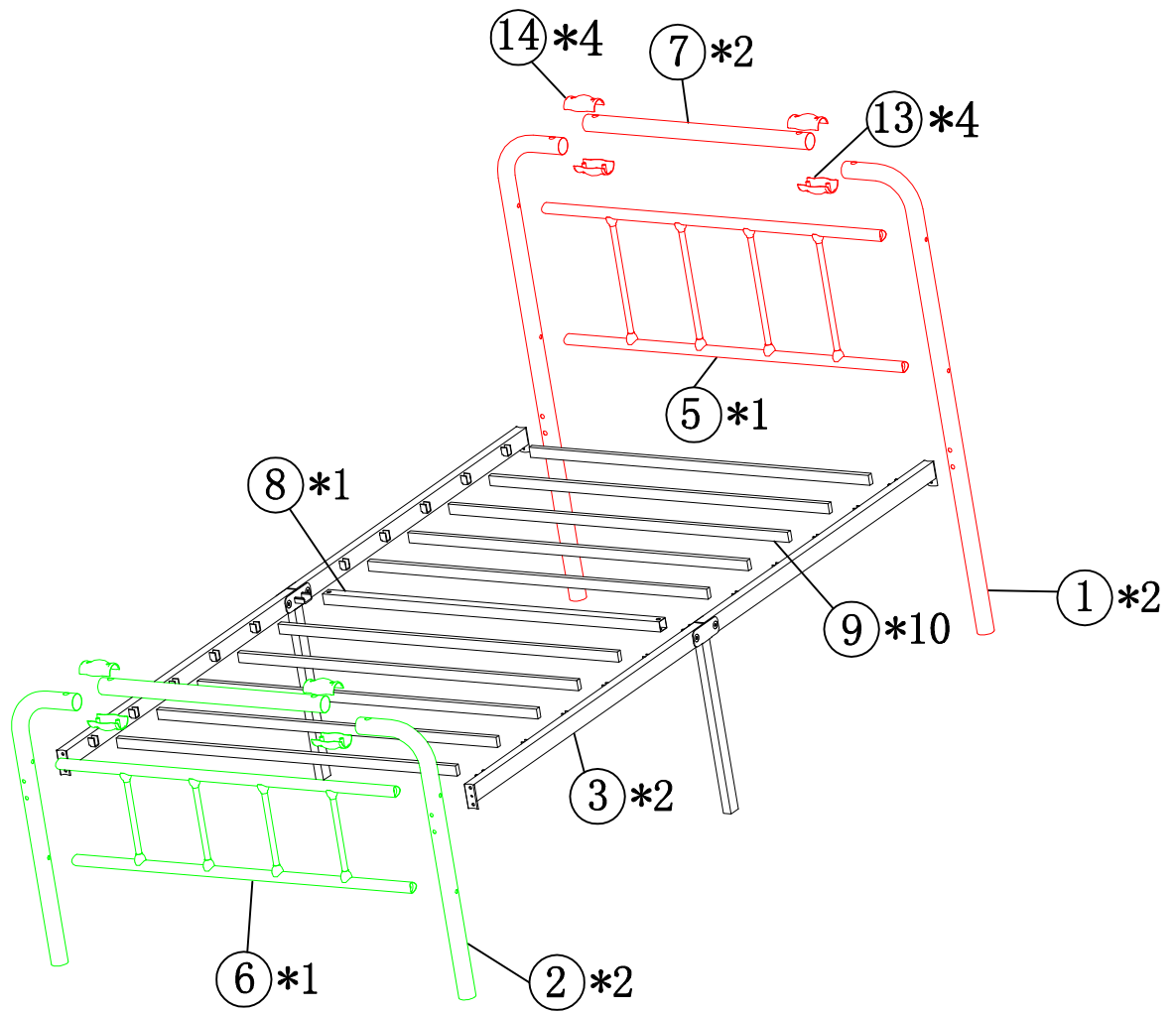
# ASSEMBLY INSTRUCTION


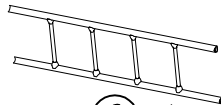
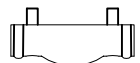


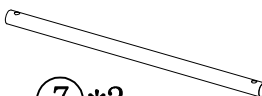


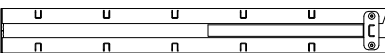



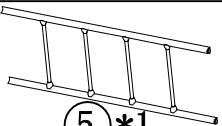


Dear Customer:

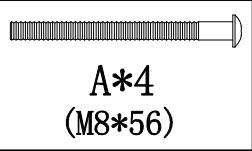
1. Do not skip steps.
2. Do not fully tighten screws until all the bed parts are assembled.



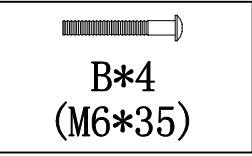
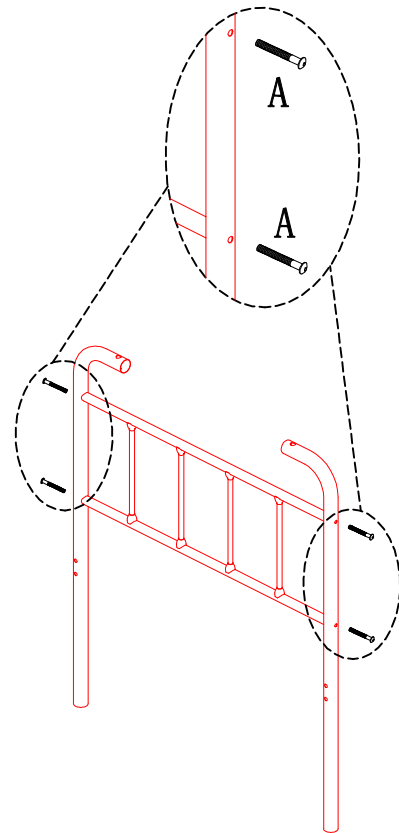
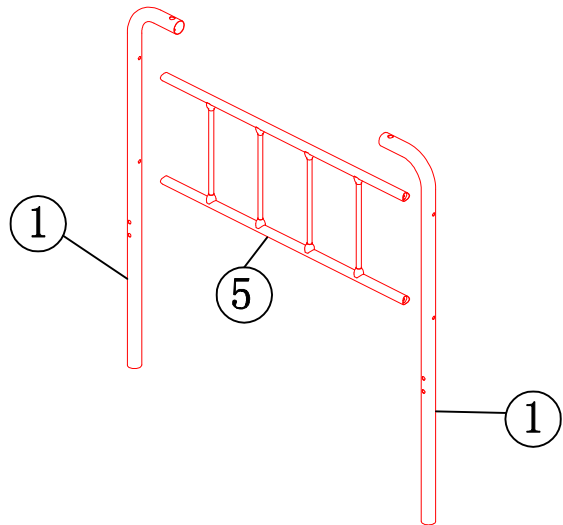
Size: Twin/Twin XL



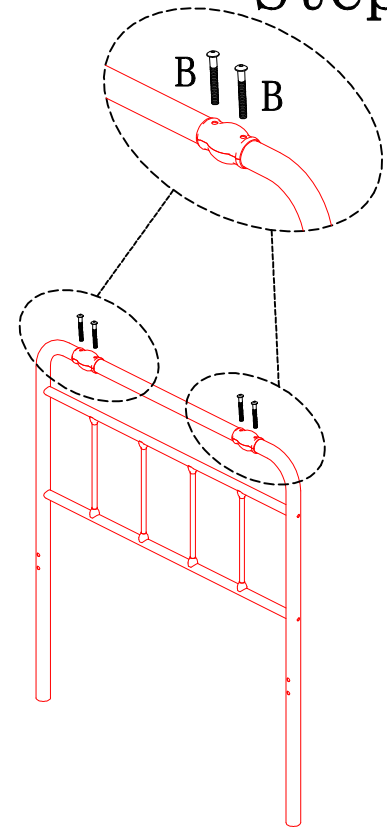
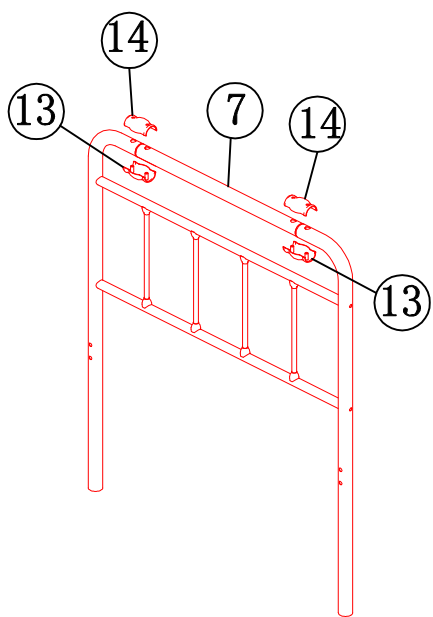
 <p>①*2</p>	 <p>⑥*1</p>	 <p>⑬*4</p>	 <p>⑭*4</p>
 <p>②*2</p>	 <p>⑦*2</p>	 <p>A*9 (M8*56)</p>	 <p>D*3 (M8*35)</p>
 <p>③*2</p>	 <p>⑧*1</p>	 <p>B*9 (M6*35)</p>	 <p>E*1</p>
 <p>⑤*1</p>	 <p>⑨*10</p>	 <p>C*9 (M8*47)</p>	

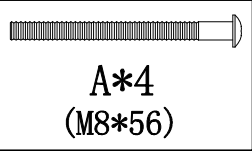


# Step1

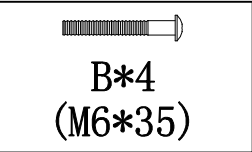
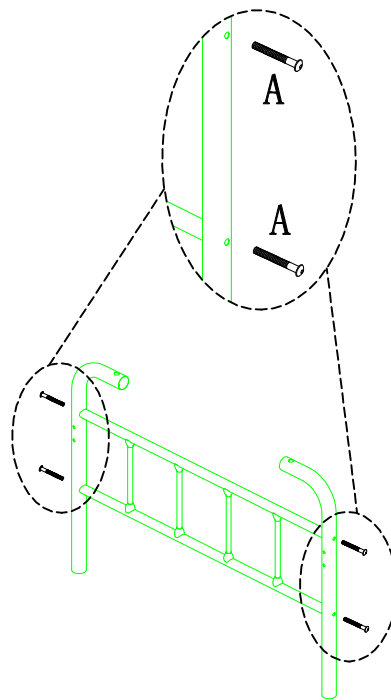
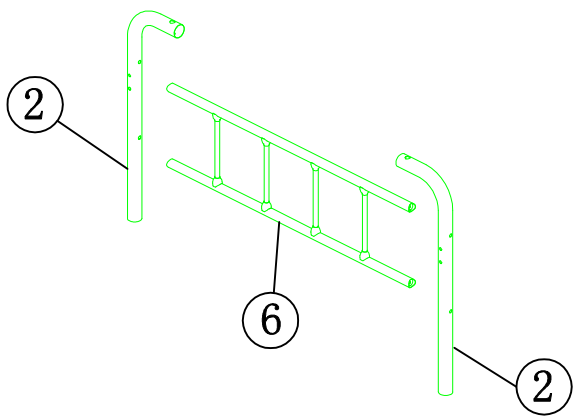


# Step2

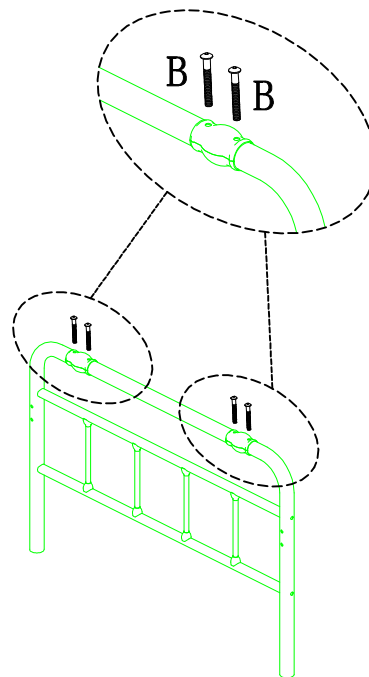




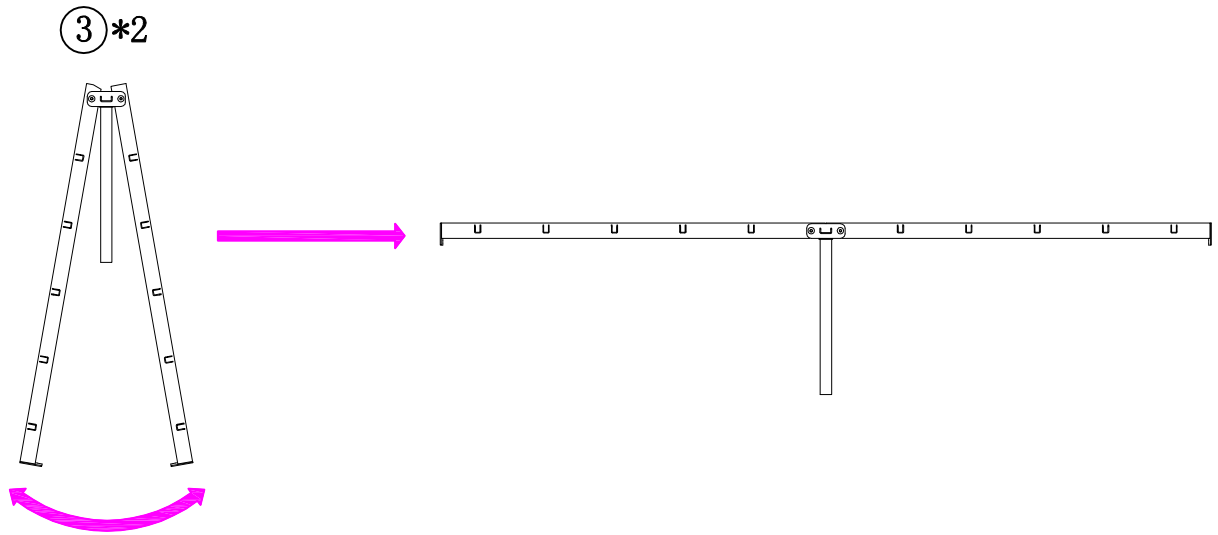
# Step3



# Step4

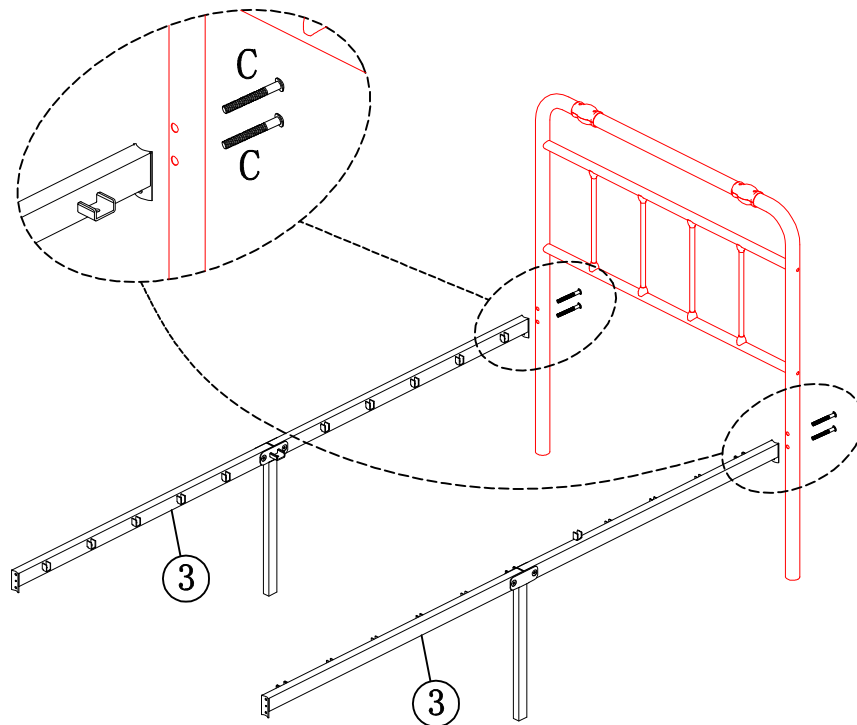


# Step5



C\*4  
(M8\*47)

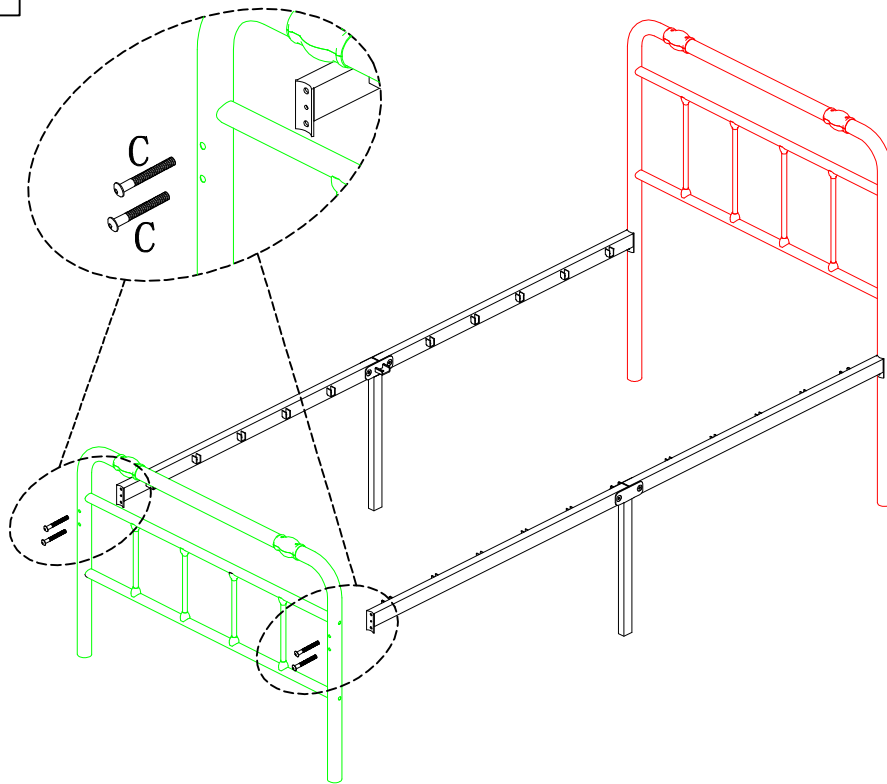
# Step6



# Step7



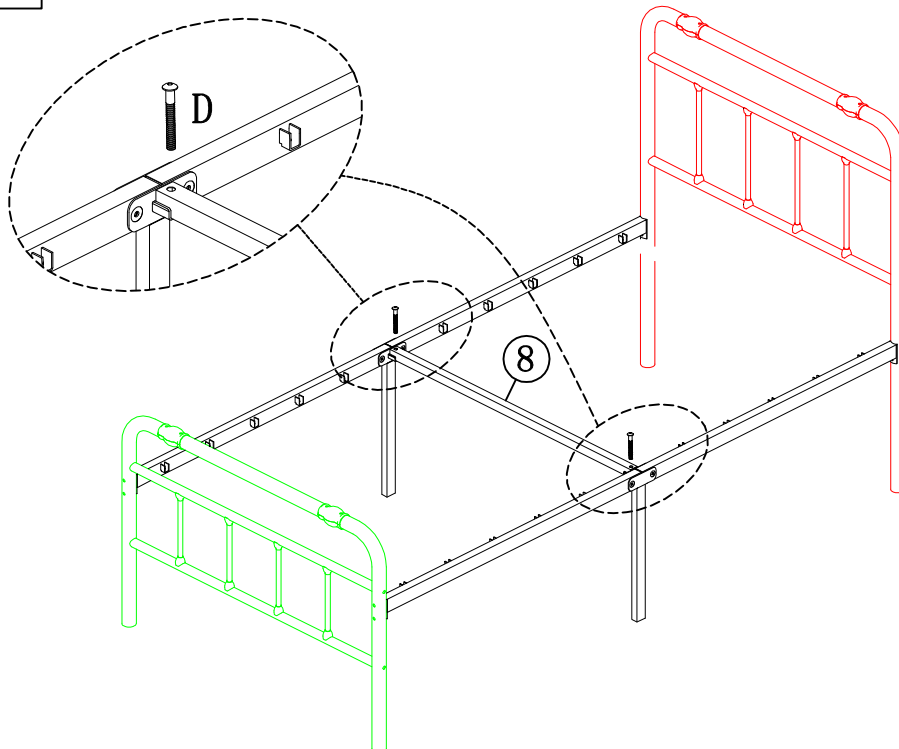
C\*4  
(M8\*47)



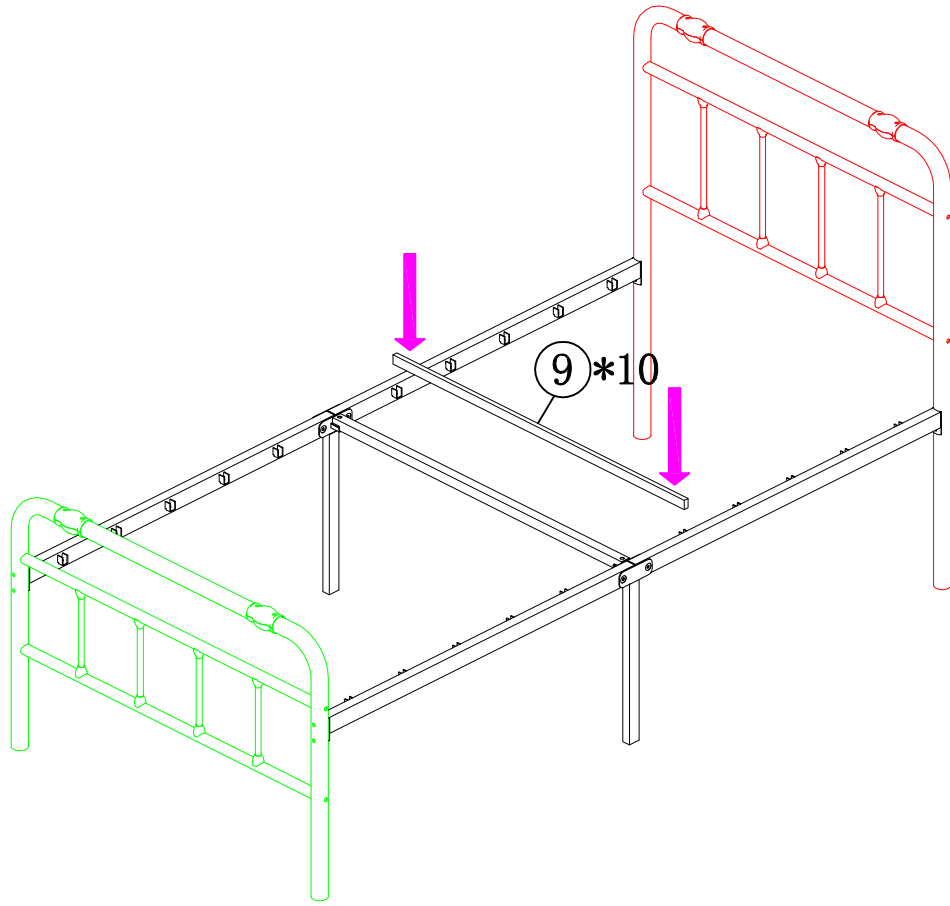
# Step8



D\*2  
(M8\*35)



# Step9



# Step10

