

Bed Frame

Instruction Manual

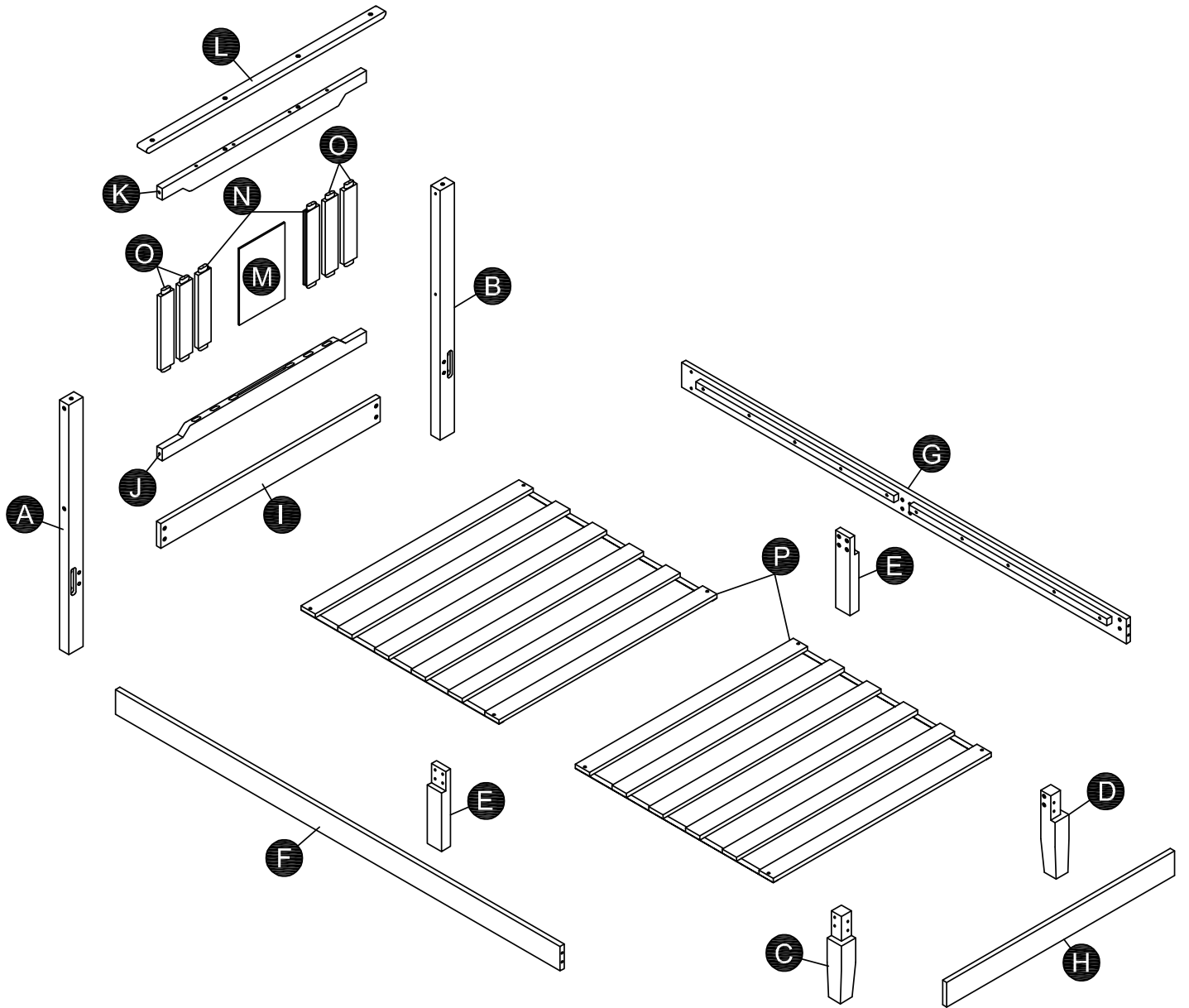
Estructura de cama

Manual de instrucciones

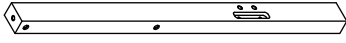
Cadre de Lit

Manuel d'Instruction

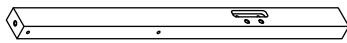




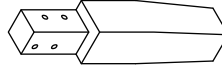
A X1



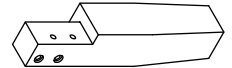
B X1



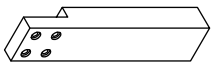
C X1



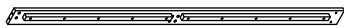
D X1



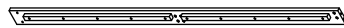
E X2



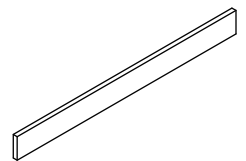
F X1



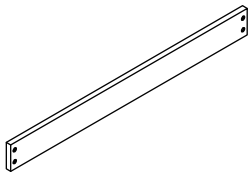
G X1



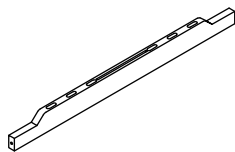
H X1



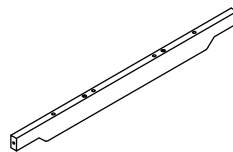
I X1



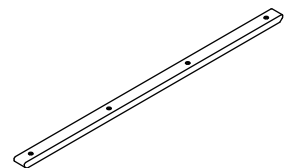
J X1



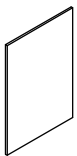
K X1



L X1



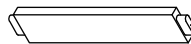
M X1



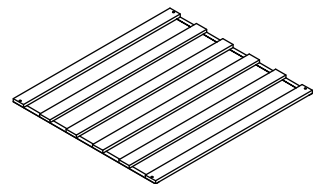
N X2



O X4



P X2



1 X4



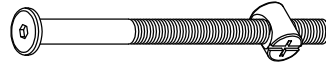
Ø10*30mm

2 X1



60*22*4mm

3 X4



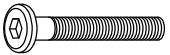
Ø13*1/4*100mm

4 X4



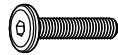
Ø13*1/4*80mm

5 X8



Ø13*1/4*53mm

6 X16



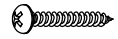
Ø13*1/4*32mm

7 X8



Ø8*4*60mm

8 X8



Ø8*4*30mm

9 X24



Ø13*Ø1/4*1mm

10 X24



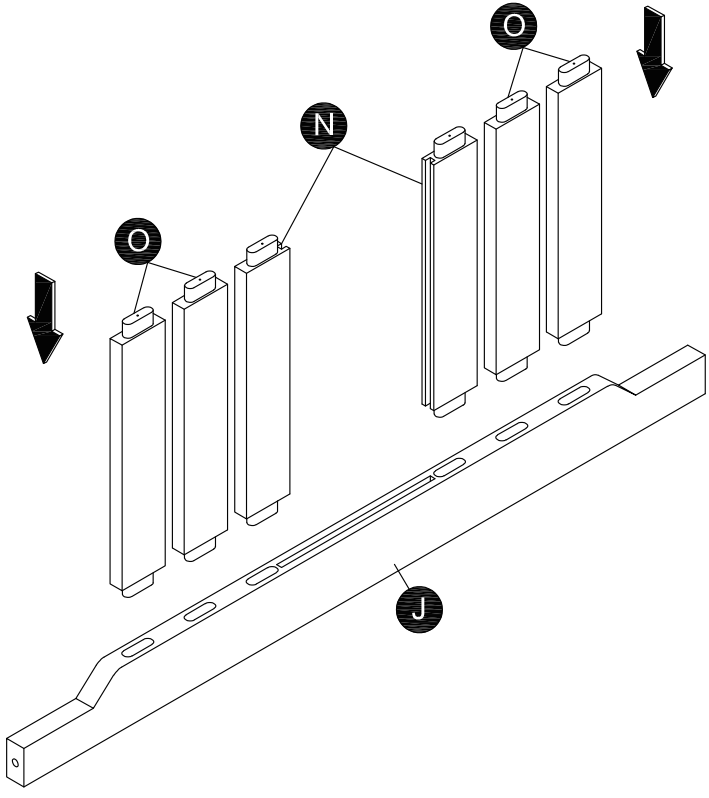
Ø13*Ø1/4*1.5mm

4


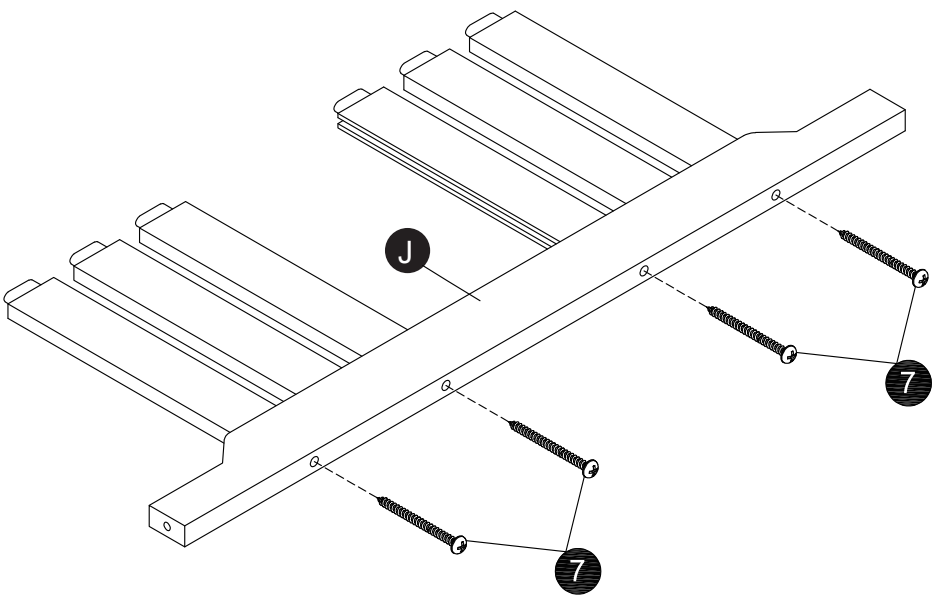


EN: Not included. / No están incluidos. / Non inclus.

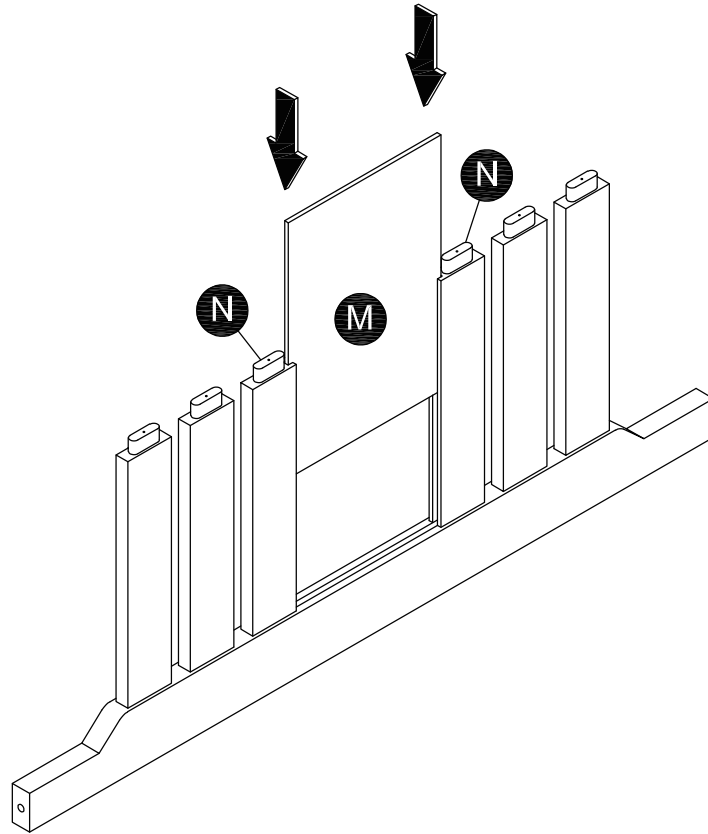
Step 1



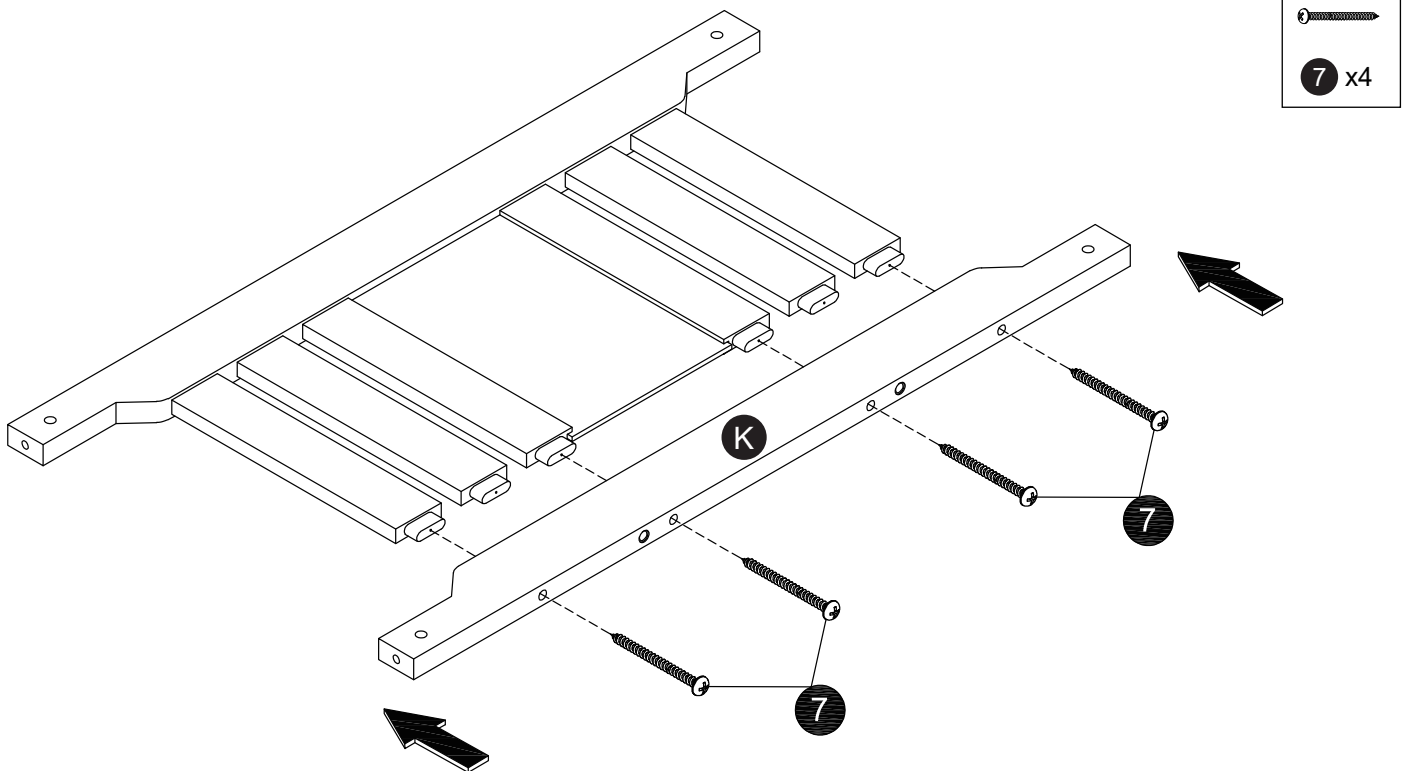
Step 2


7 x4

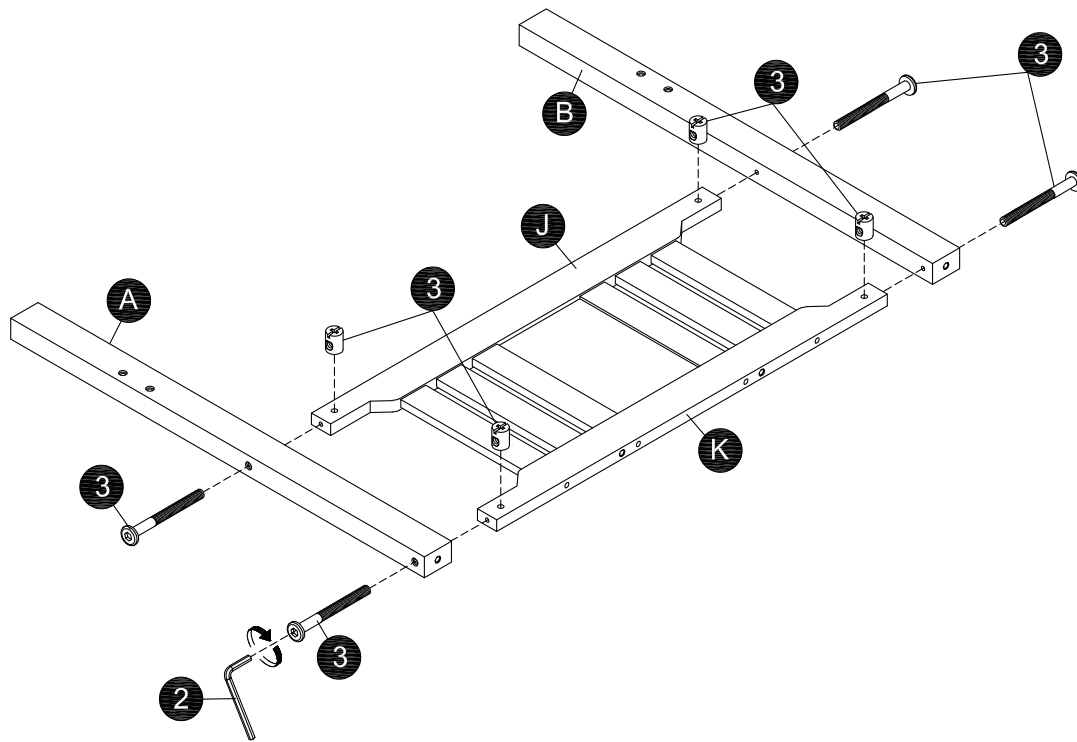
Step 3





Step 4

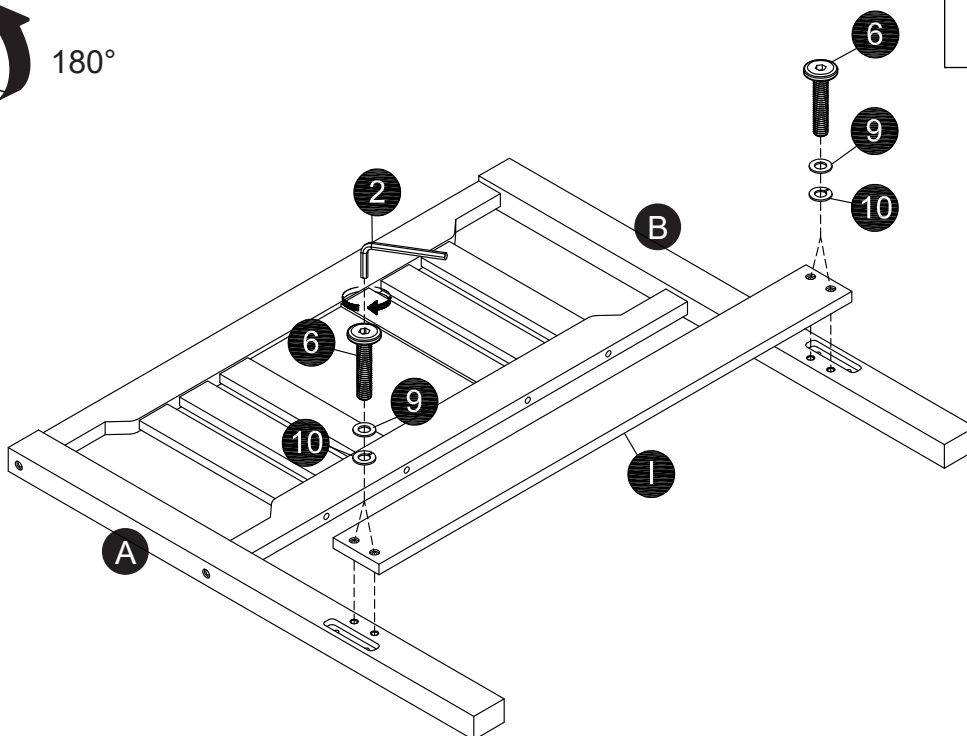






Step 5




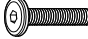



	
3 x4	2 x1

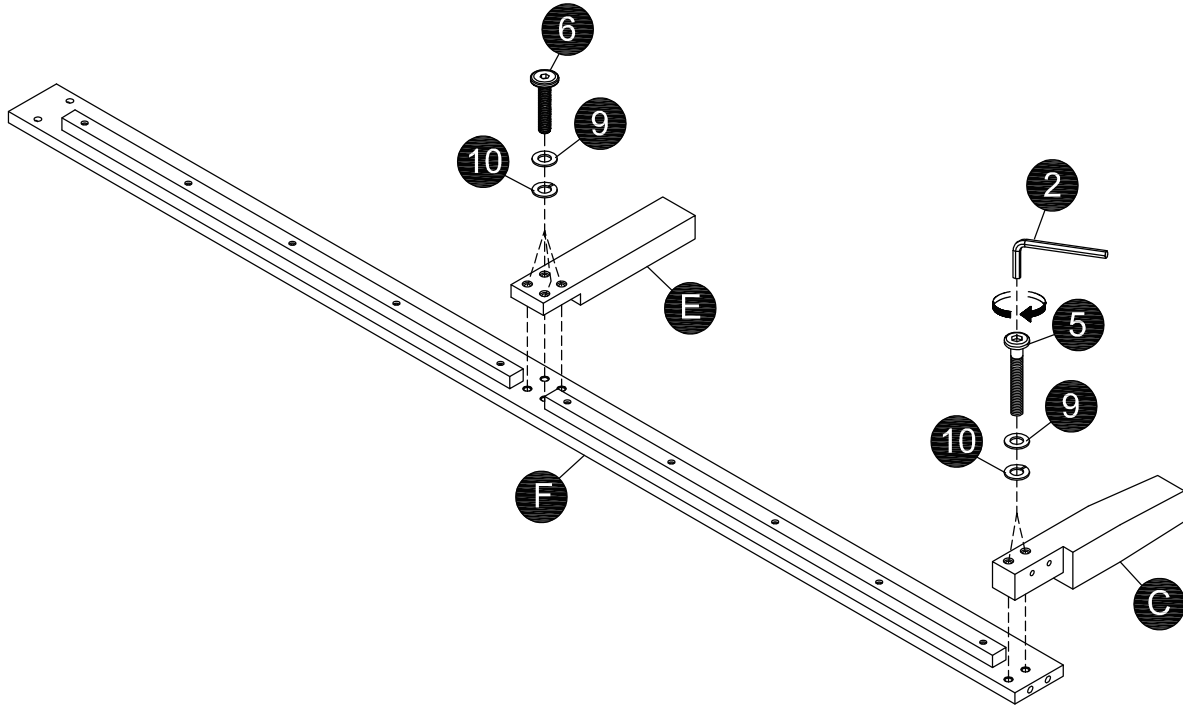
Step 6








			
6 x4	9 x4	10 x4	2 x1

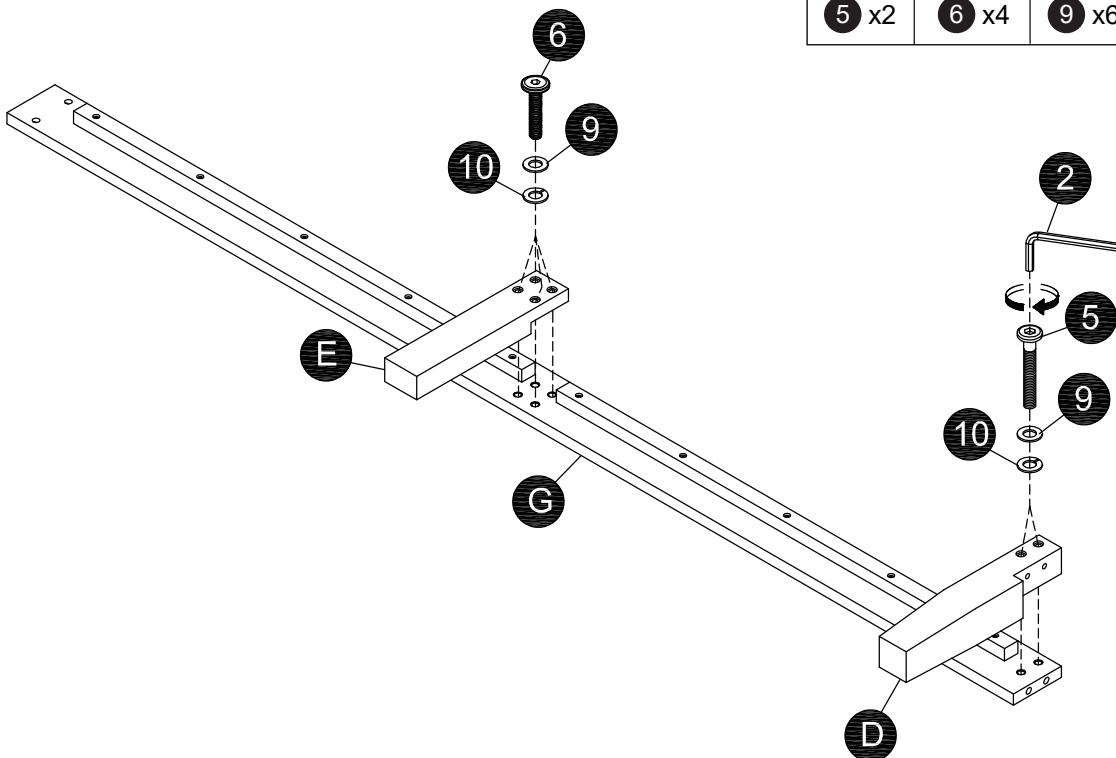
Step 7

				
5 x2	6 x4	9 x6	10 x6	2 x1

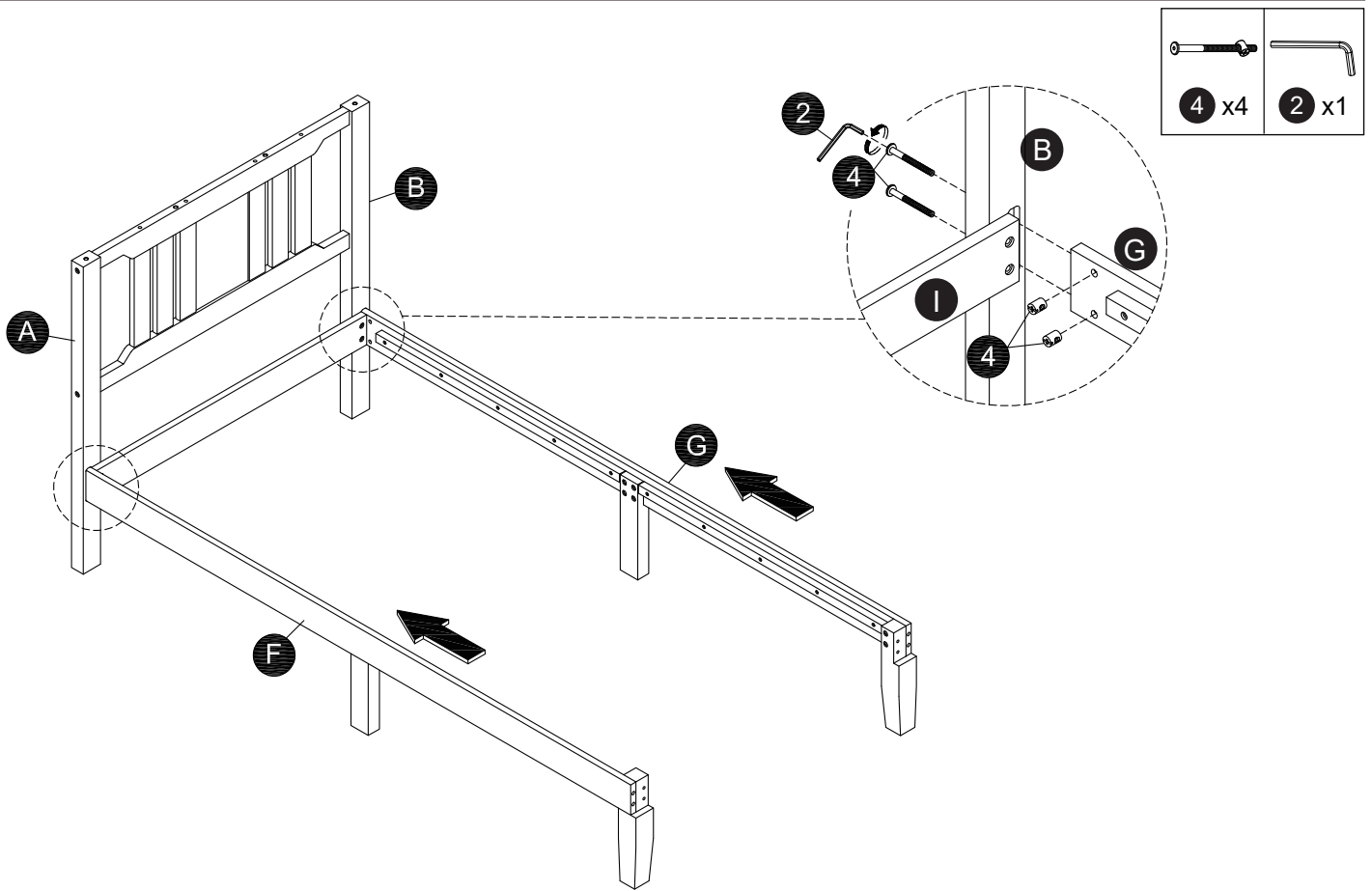


Step 8

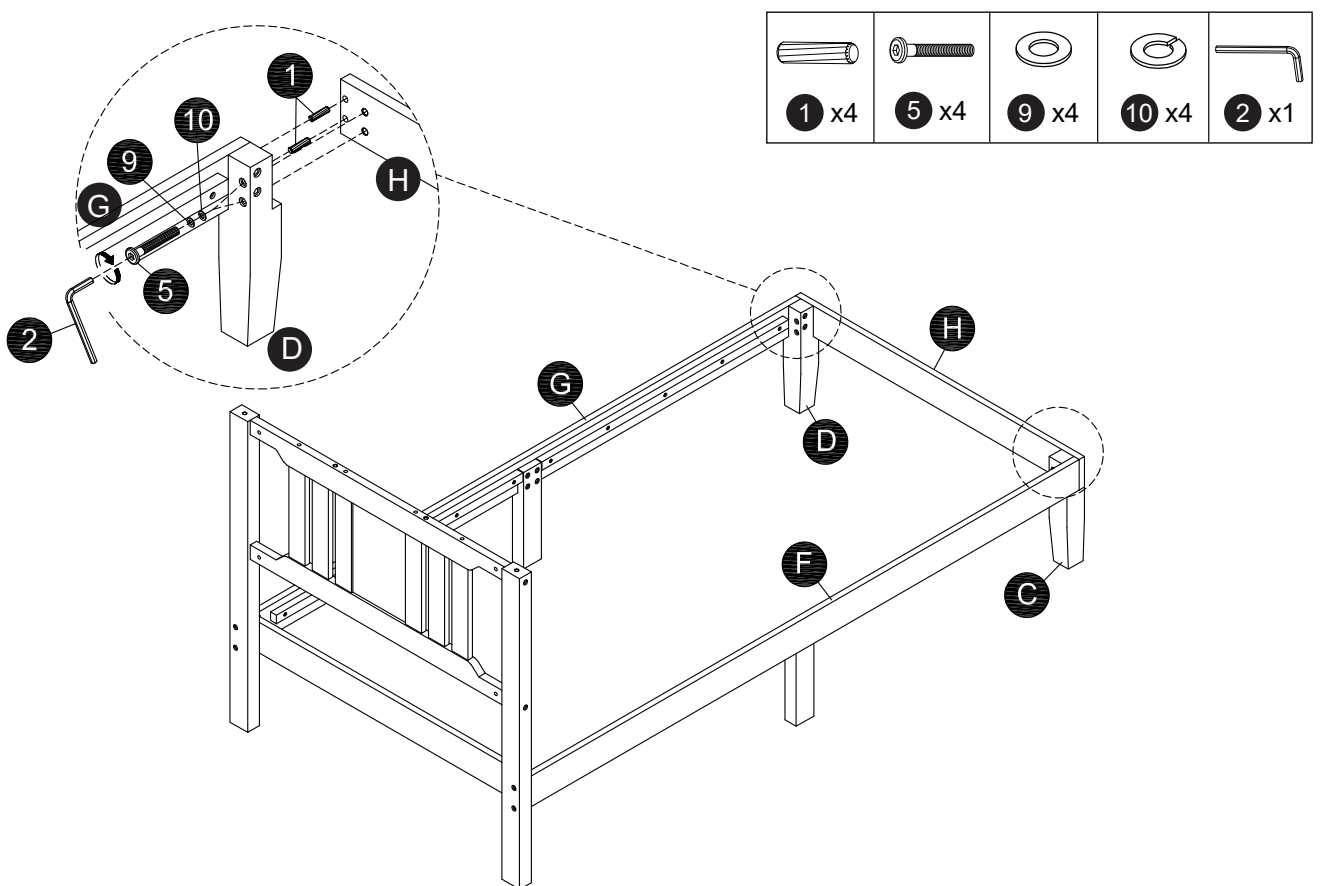
				
5 x2	6 x4	9 x6	10 x6	2 x1



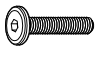



Step 9

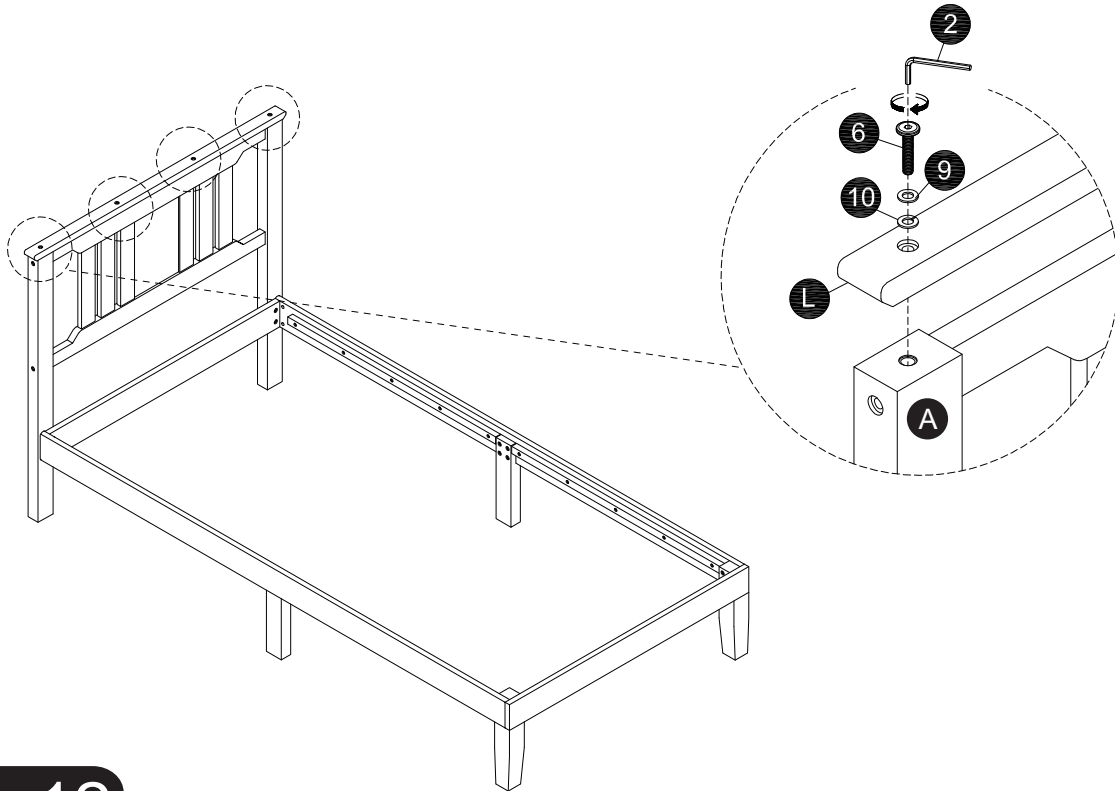


Step 10

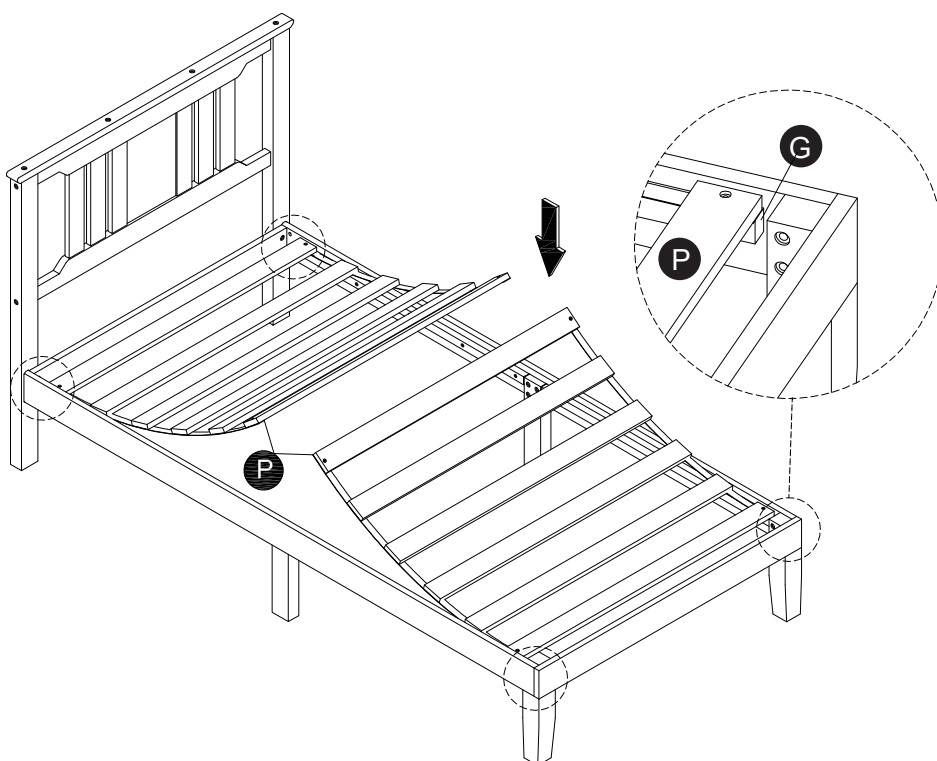


Step 11

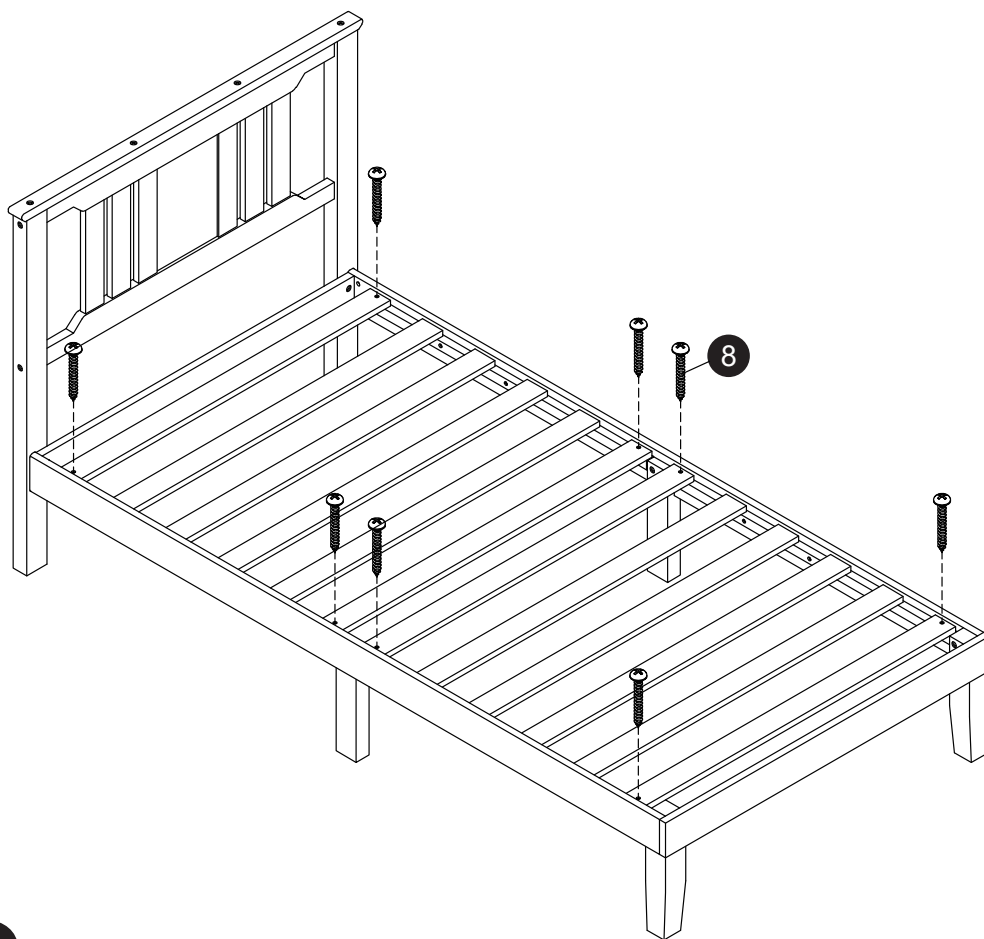
			
6 x4	9 x4	10 x4	2 x1



Step 12



Step 13



Step 14

