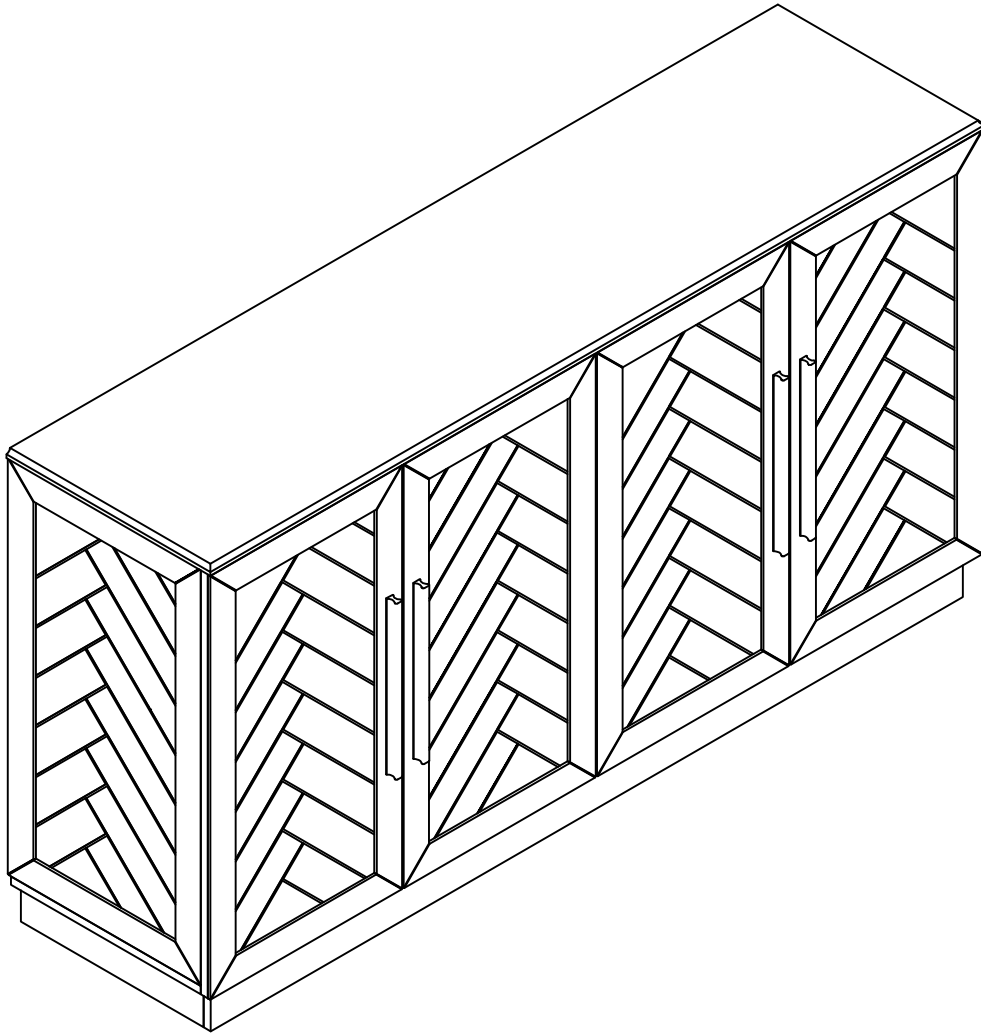


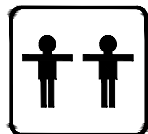
# ASSEMBLY INSTRUCTION

## CABINET

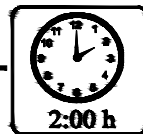


Thank you for purchasing this quality product. Be sure to check all packing material carefully for small parts which may have come loose inside the carton during shipment. Separate, identify and count all parts and hardware. Compare with the parts list to be sure all parts are present.  
**"DO NOT TIGHTEN SCREWS UNTIL COMPLETELY ASSEMBLED"**

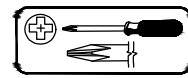
**\* Use of power tool to assemble this product will invalidate any claim and damage this product making unsafe !!!**  
**\* Please assemble on a clean soft surface to avoid damage.**



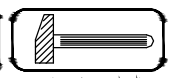
+



### Tools Required



(Not included)



(Not included)

**IMPORTANT:**

**PLEASE READ INSTRUCTION BEFORE STARTING THE ASSEMBLY**

# PLEASE DO NOT RETURN TO STORE



**Please do not return this product to the retailer!!  
We are able to assist you in ANY way**

If you find that you have any trouble with assembly or missing or damaged parts please contact the seller.

1. Note: This is not a clothing storage cabinet and it is not recommended to use it as a clothing storage cabinet.
2. All cabinets come with TRD, stainless steel or our "L-Bracket "when shipped.

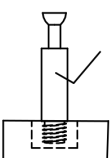
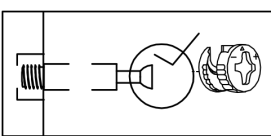
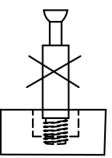
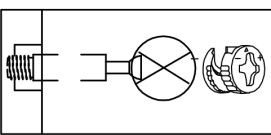
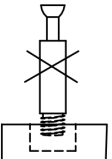
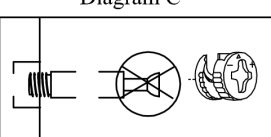
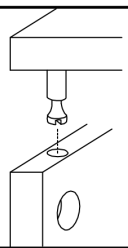
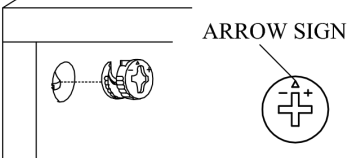
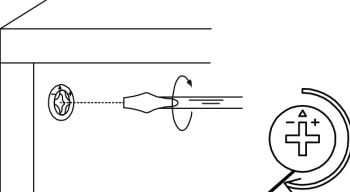
# Before Installation

Important – Please read these instructions fully before starting assembly

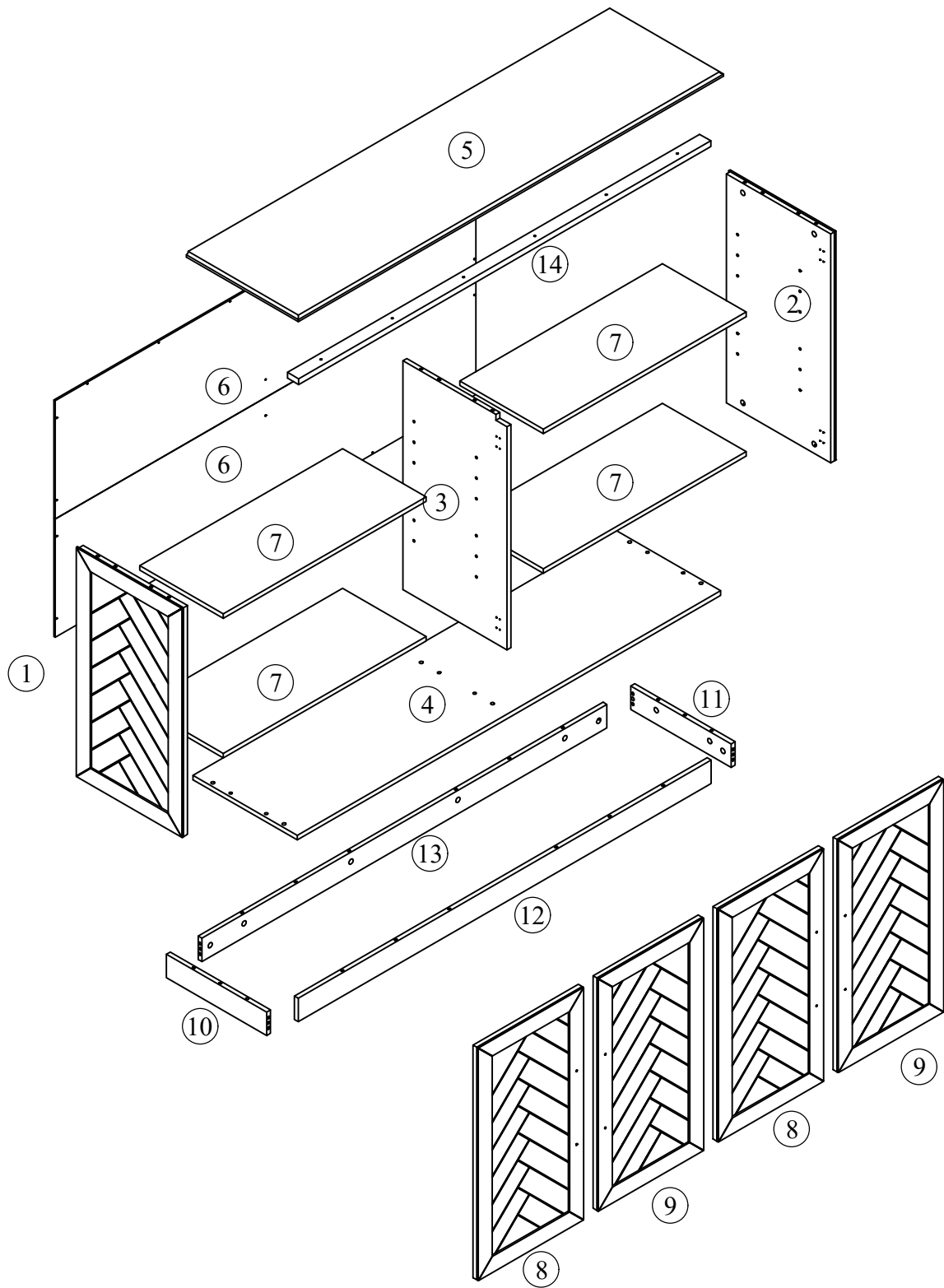
Thank you for purchasing this quality product. Be sure to check all packing materials carefully for small parts, which may have come loose inside the carton during shipment. Identify and count all items according to the PARTS LIST and/or HARDWARE LIST shown below. Check you have all the components and tools listed on the following pages.

- We recommend that you assemble this product with the assistance of another person; this will make the assembly easier, and will help eliminate damage to the product or injury to persons during assembly.
- Please do not over tighten screws or bolts until the assembly is completed.
- Keep children and animal away from the work area, small parts could choke if swallowed.
- Please put all parts on a non-abrasive floor before assembly, and follow the assembly steps to assemble your newly purchased product correctly and efficiently.

## Cam Lock Assembly Instructions

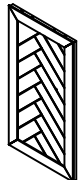
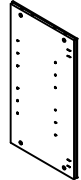
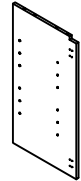
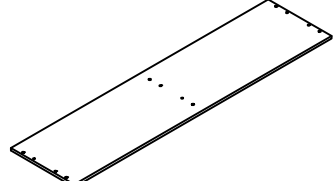
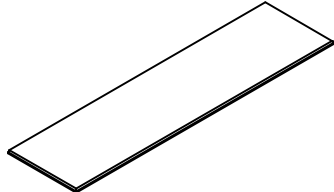
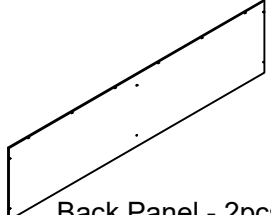
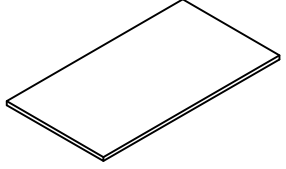
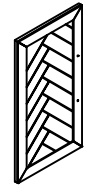
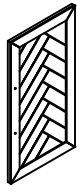
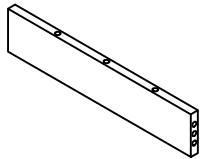
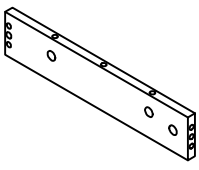
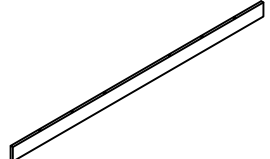
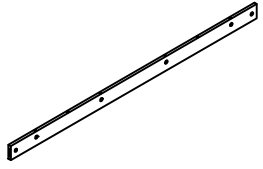
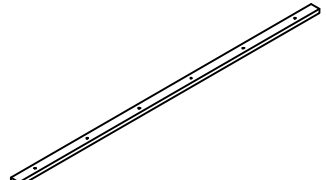
		Diagram A Insert Cam Bolt into hole as shown in diagram A.
		Diagram B Make sure not to insert the Cam Bolt: Too deep as shown in figure B as this will cause the Cam Lock to be misaligned and unable to interlock properly.
		Diagram C Also avoid inserting the Cam Bolt too close to the surface of the hole as shown in figure C, as this will cause the Cam Lock to be too loose, and not interlock properly.
		Connect the panels together.
	ARROW SIGN	Insert the Cam Lock so the side opening fits over the head of the Cam Bolt.
		To tighten the Cam Lock, turn it clockwise on half a turn with a flat screwdriver. <i>*Do not use an automatic screwdriver as it may bend or break if too much power is imposed.</i>

## Detail View - CABINET

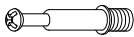



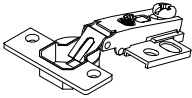
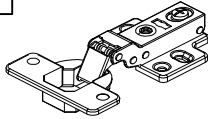

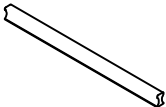
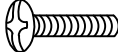
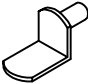



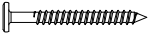
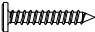



**Identifying the Hardware -Identify the hardware using the illustrations below.**

# Part List

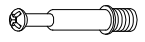
<p>1</p>  <p>Side Panel (L) - 1pc</p>	<p>2</p>  <p>Side Panel (R) - 1pc</p>
<p>3</p>  <p>Mid Panel - 1pc</p>	<p>4</p>  <p>Bottom Panel - 1pc</p>
<p>5</p>  <p>Top Frame - 1pc</p>	<p>6</p>  <p>Back Panel - 2pcs</p>
<p>7</p>  <p>Adjustable Shelf - 4pcs</p>	<p>8</p>  <p>Door Cabinet (L) - 2pcs</p>
<p>9</p>  <p>Door Cabinet (R) - 2pcs</p>	<p>10</p>  <p>Panel Bottom (L) - 1pc</p>
<p>11</p>  <p>Panel Bottom (R) - 1pc</p>	<p>12</p>  <p>Front Panel Bottom - 1pc</p>
<p>13</p>  <p>Back Panel Bottom - 1pc</p>	<p>14</p>  <p>Front Bar Top - 1pc</p>

# Hardware List

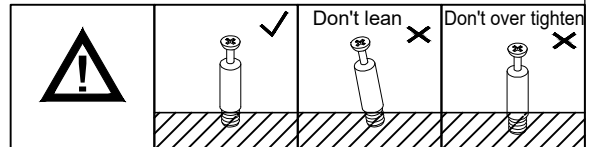
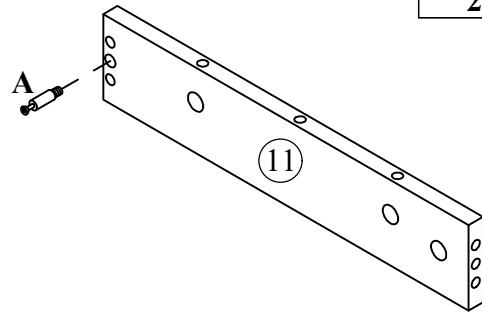
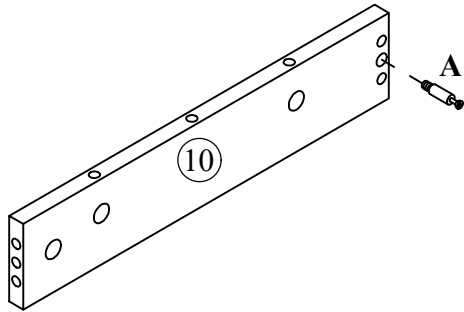
<b>A</b>  ø6x35mm	<b>B</b>  ø14.5x12mm	<b>C</b>  ø8x30mm		
Three in one bolts - 28pcs	Three in one lock - 28pcs	Wood dowel - 26pcs		
<b>D</b>  ø7xø3.5x15mm	<b>E</b> 	<b>F</b> 		
Round head screw - 24pcs	Damping hinge - 4pcs	Damping hinge - 4pcs		
<b>G</b>  ø7xø3.5x15mm	<b>H</b>  300x20x13mm	<b>I</b>  M4x24mm		
Flat head screw - 48pcs	Handle - 4pcs	Handle screw - 8pcs		
<b>J</b> 	<b>K</b>  ø8xø4x25mm			
Laminate pad - 16pcs	Round head screw - 6pcs			
<b>L</b> Anti tip kit - 2sets				
<b>L1</b> 	<b>L2</b> 	<b>L3</b> 	<b>L4</b> 	<b>L5</b> 
Metal Braket (4pcs)	Restraint Strap (2pcs)	Phillips Screws M4 x 40mm (2pcs)	Phillips Screws M4 x 15mm (2pcs)	Plastic Anchor (2pcs)

**STEP: 1**

**A**



**2PCS**



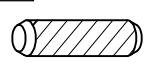
**STEP: 2**

**B**

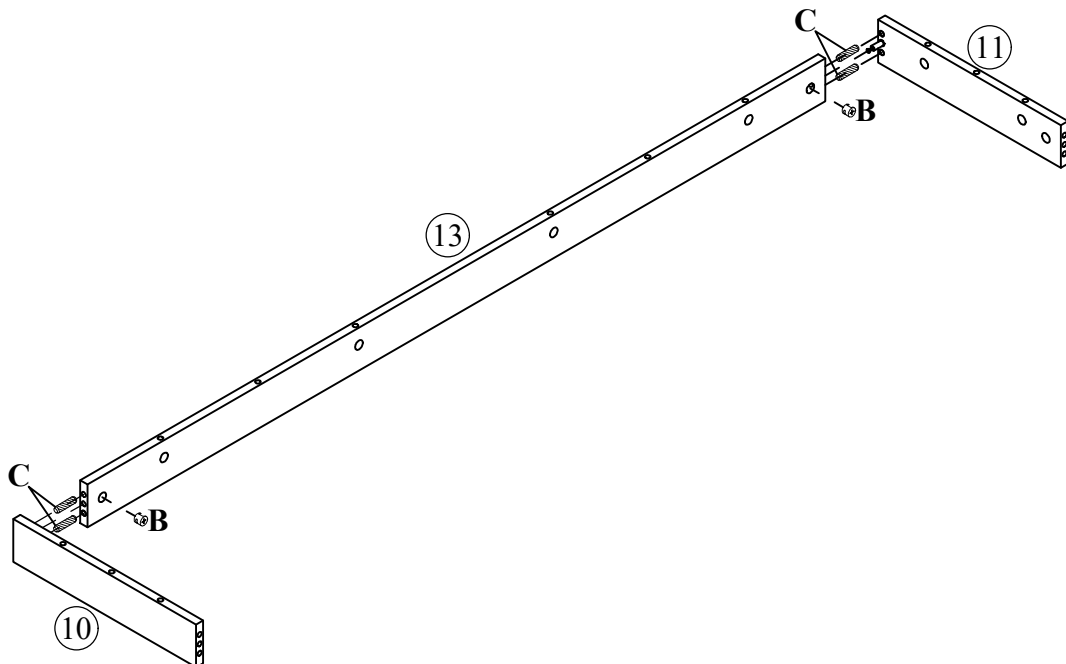


**2PCS**

**C**

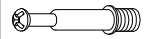


**4PCS**

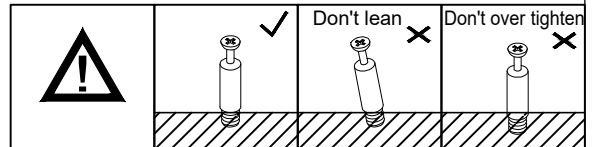
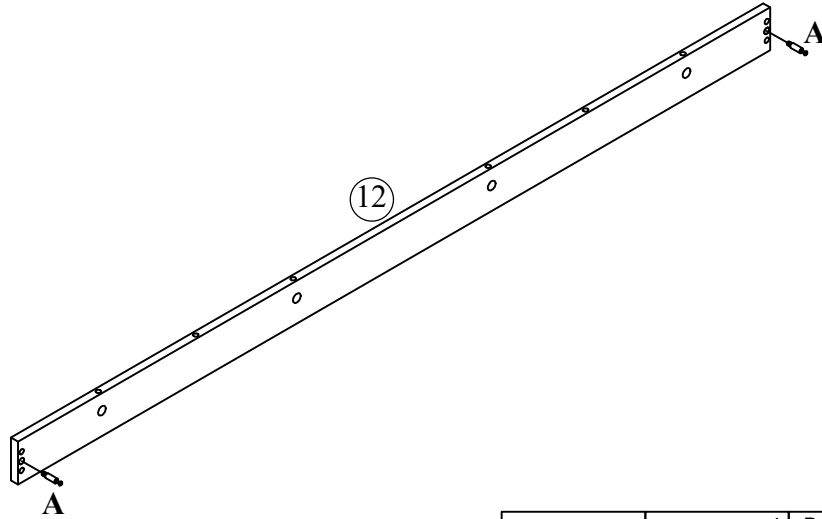


**STEP: 3**

**A**



**2PCS**



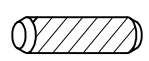
**STEP: 4**

**B**

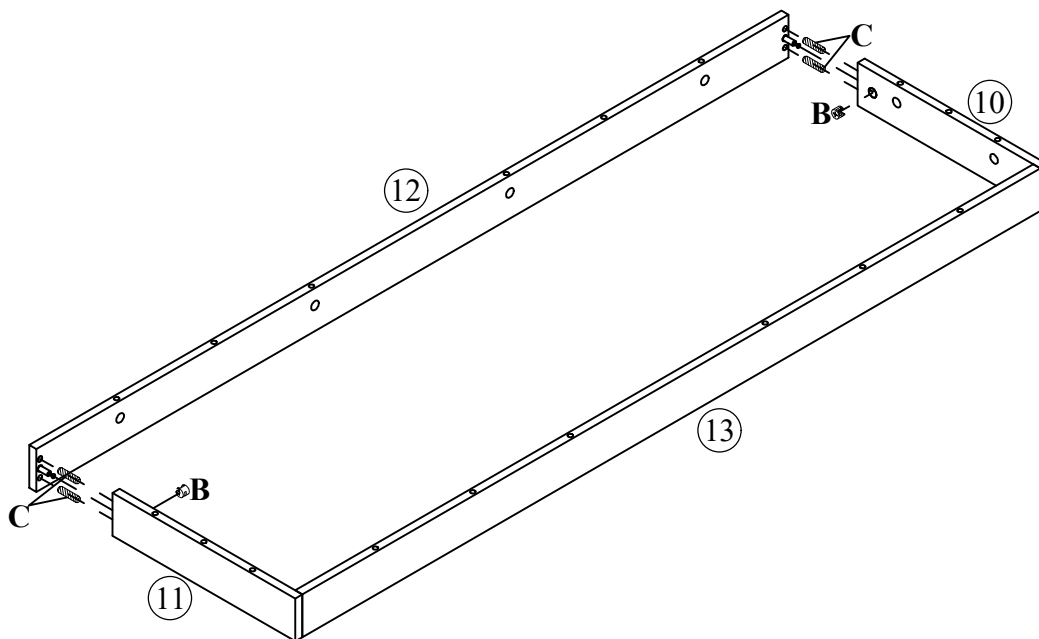


**2PCS**

**C**

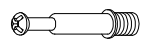


**4PCS**

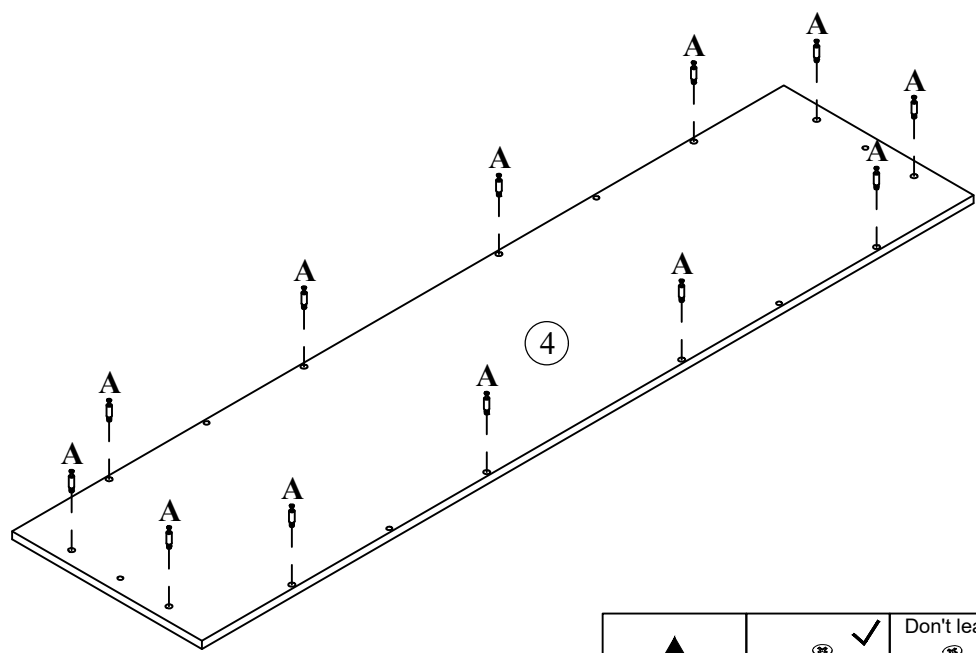


# STEP: 5

**A**



12PCS



--	--	--	--

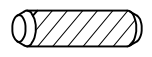
# STEP: 6

**B**

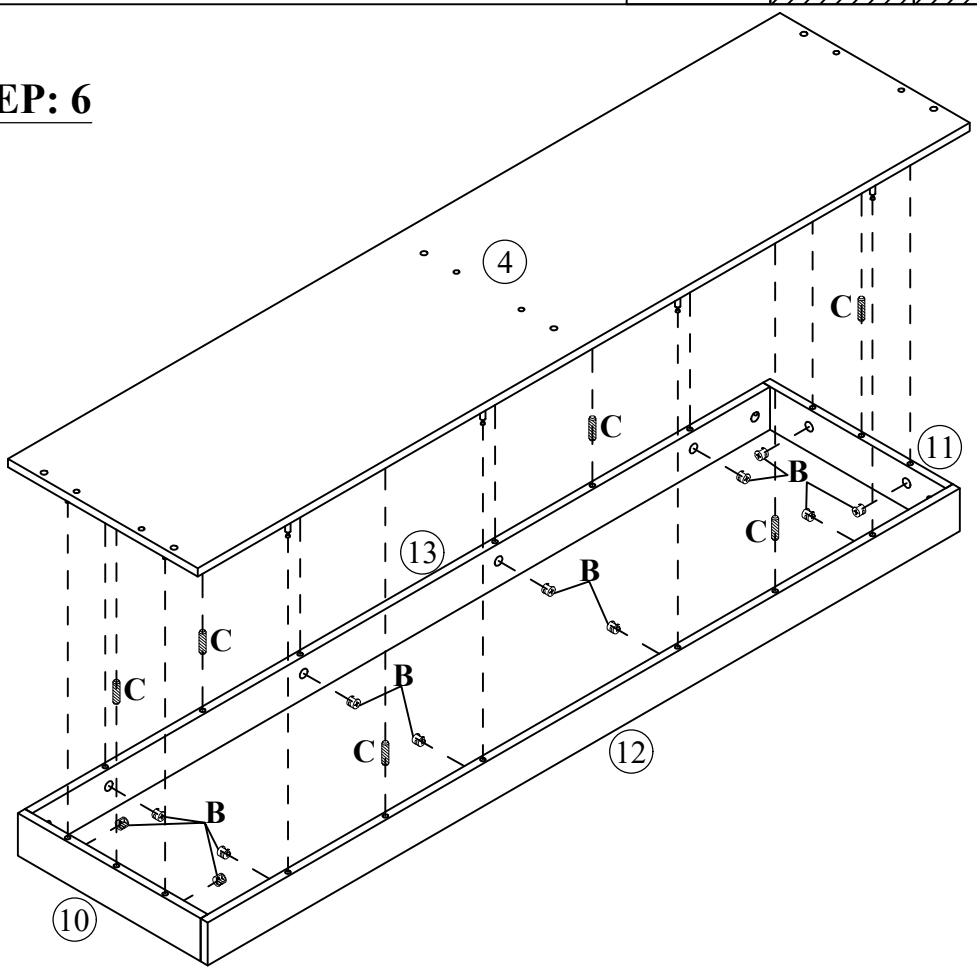


12PCS

**C**

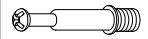


6PCS

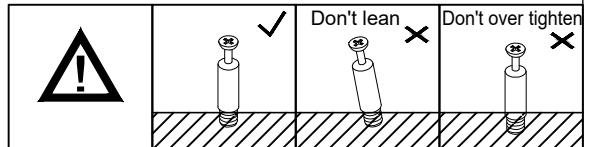
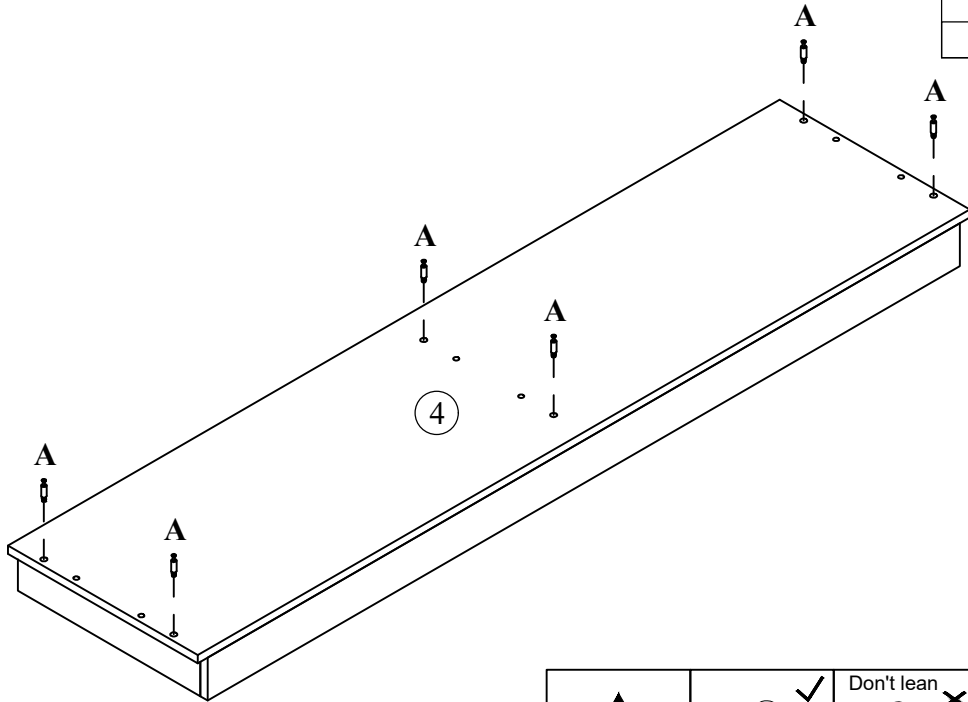


# STEP: 7

**A**



**6PCS**



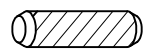
# STEP: 8

**B**

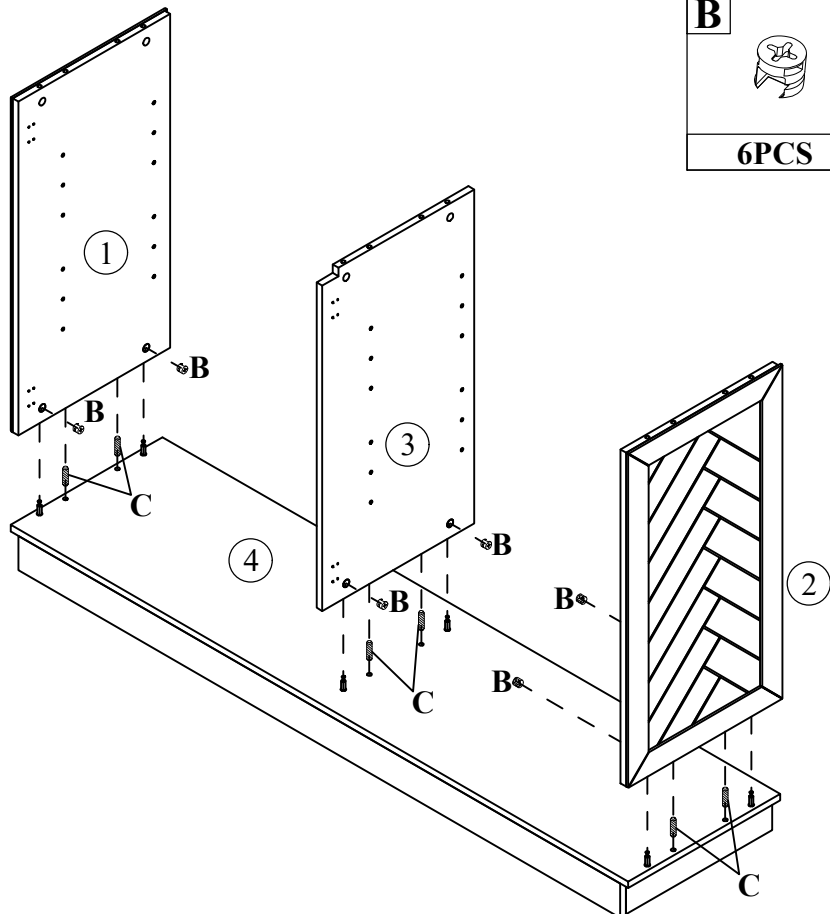


**6PCS**


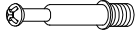
**C**

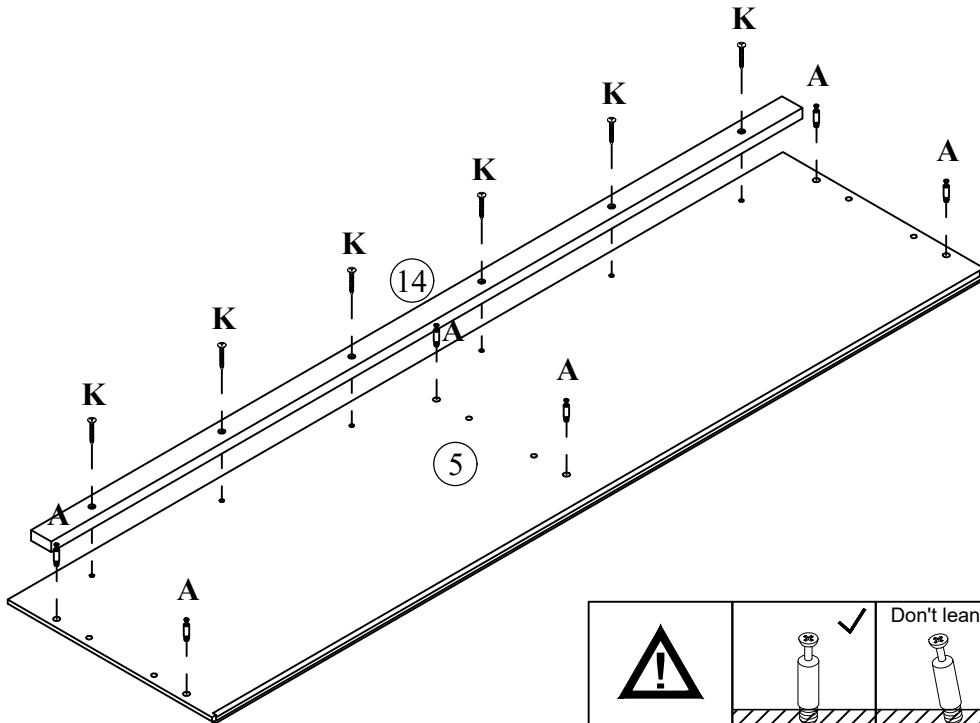


**6PCS**


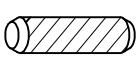


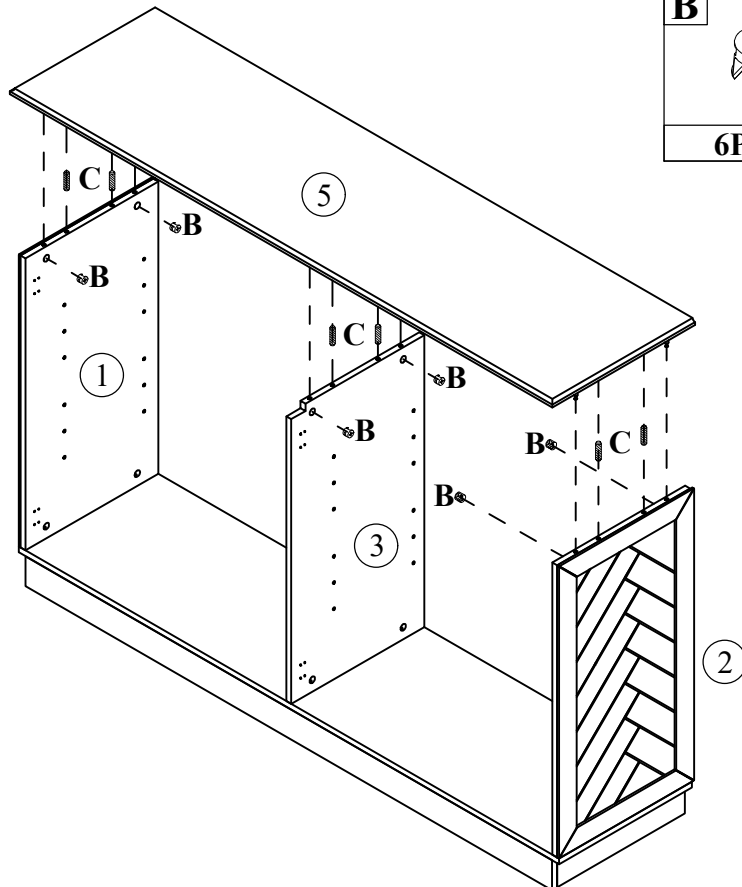
**STEP: 9**

<b>K</b>	<b>A</b>
	
6PCS	6PCS



**STEP: 10**

<b>B</b>	<b>C</b>
	
6PCS	6PCS

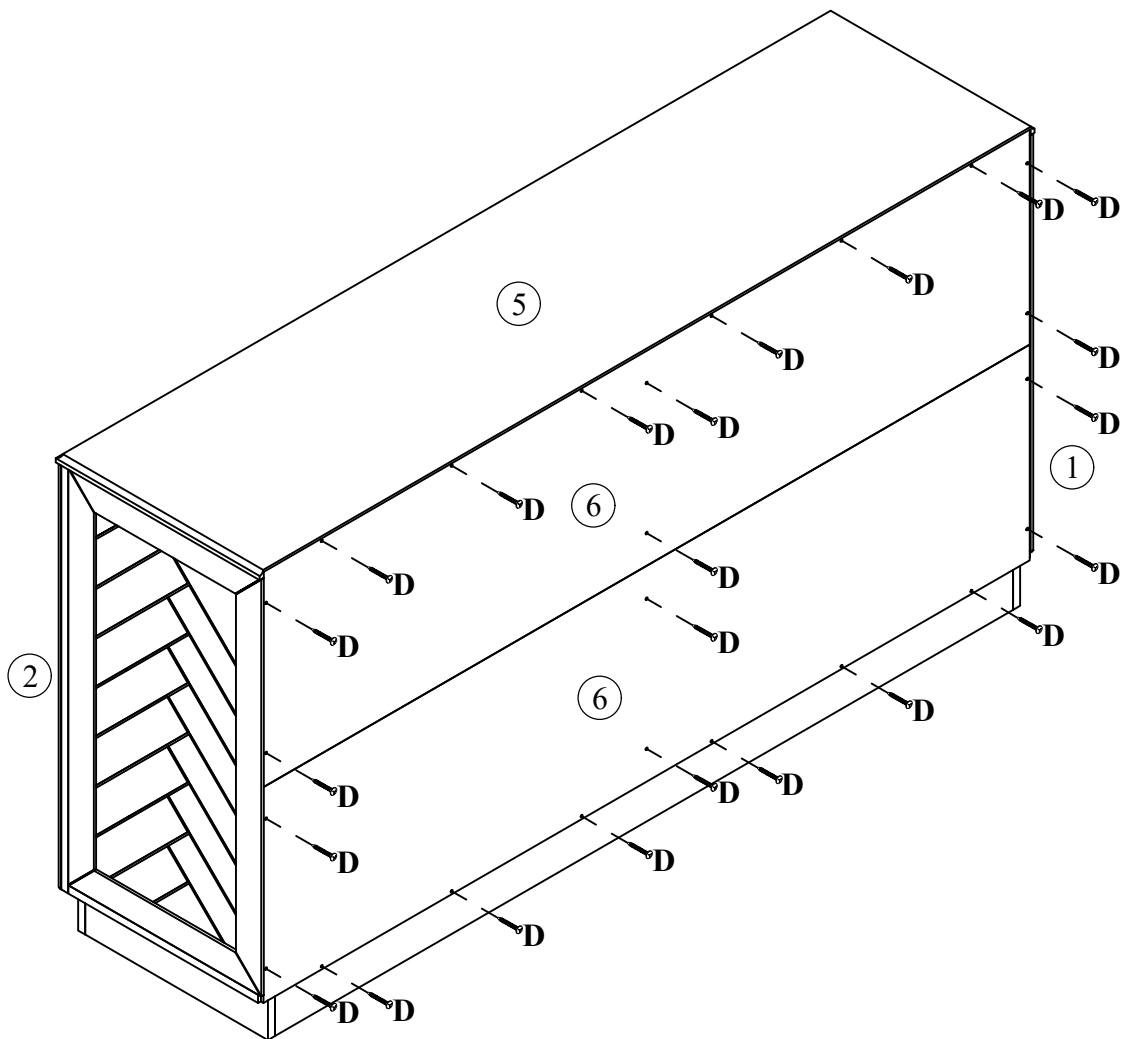


**STEP: 11**

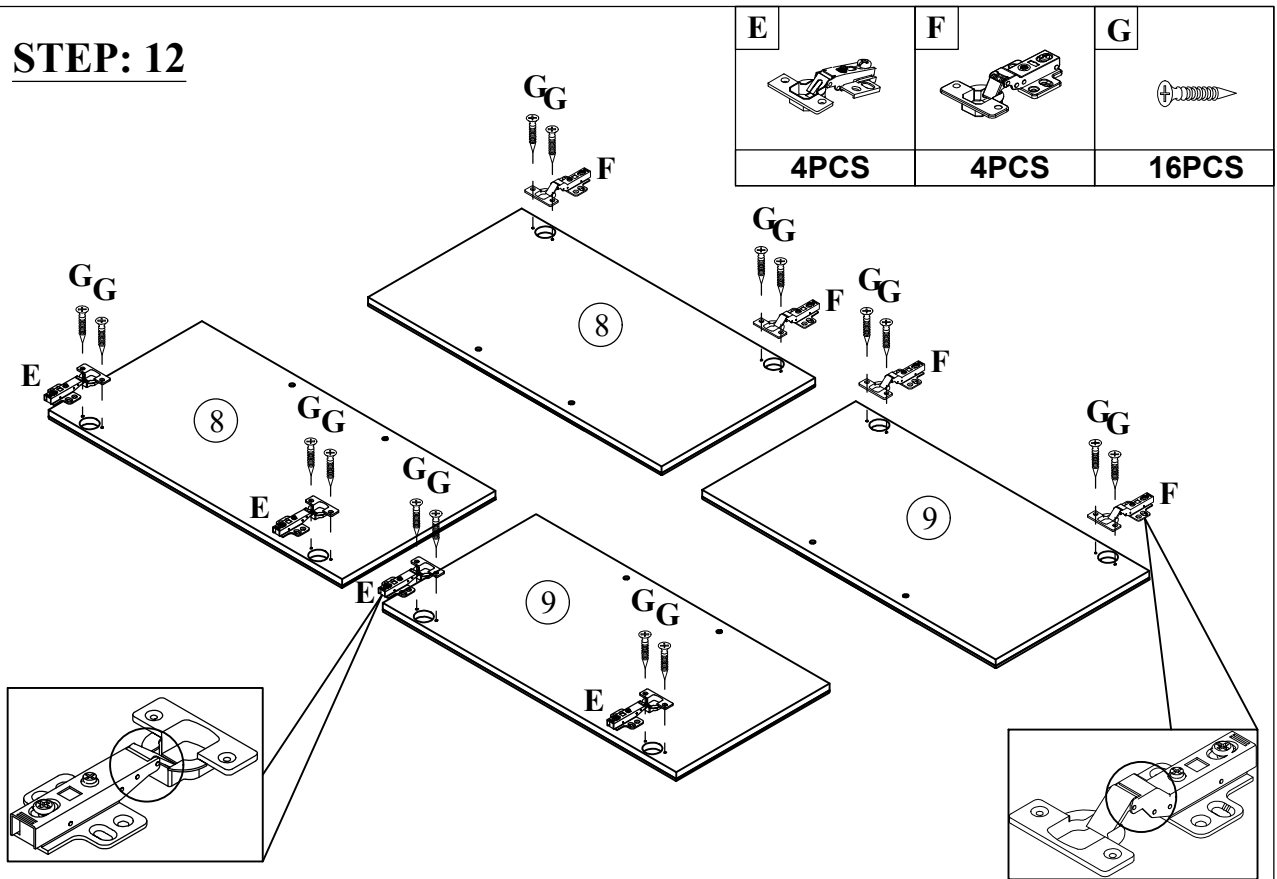
**D**



**24PCS**

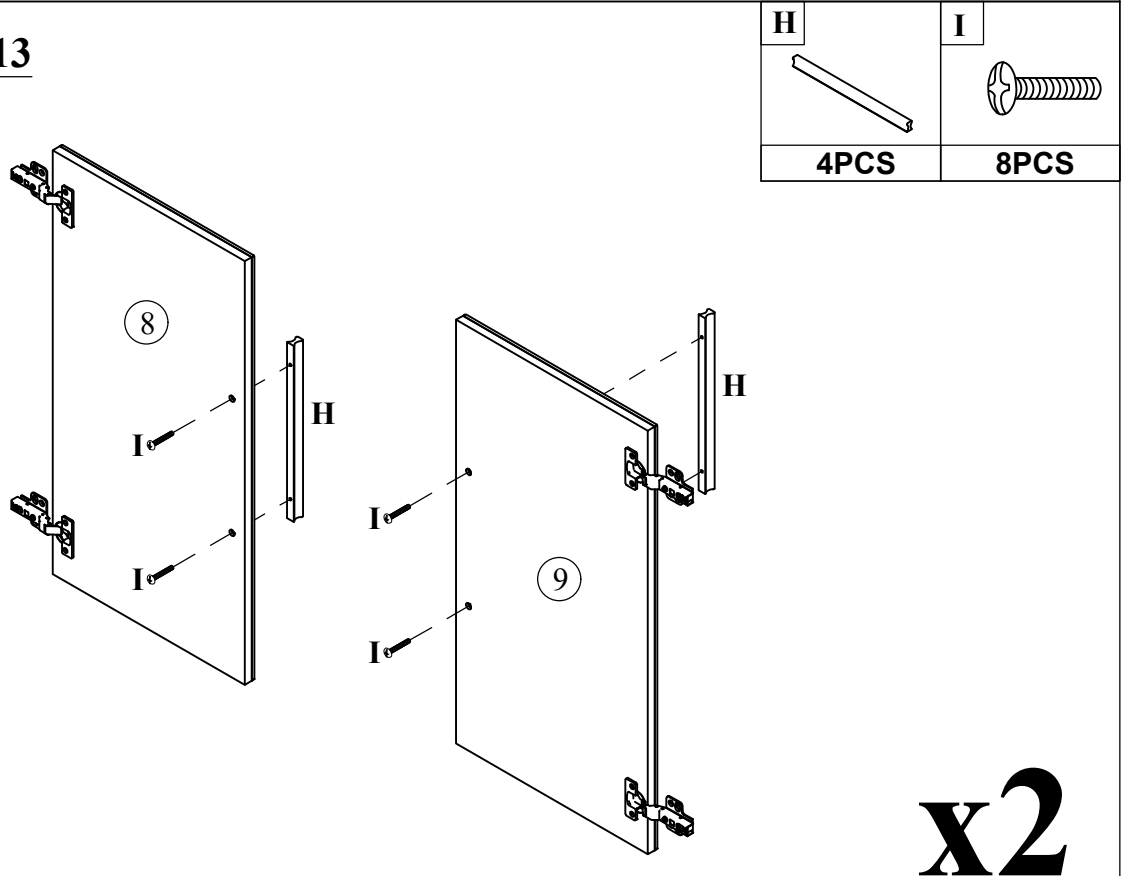


### STEP: 12



\* Please note that hinges E and F are different, please do not install them backwards.

### STEP: 13



**x2**

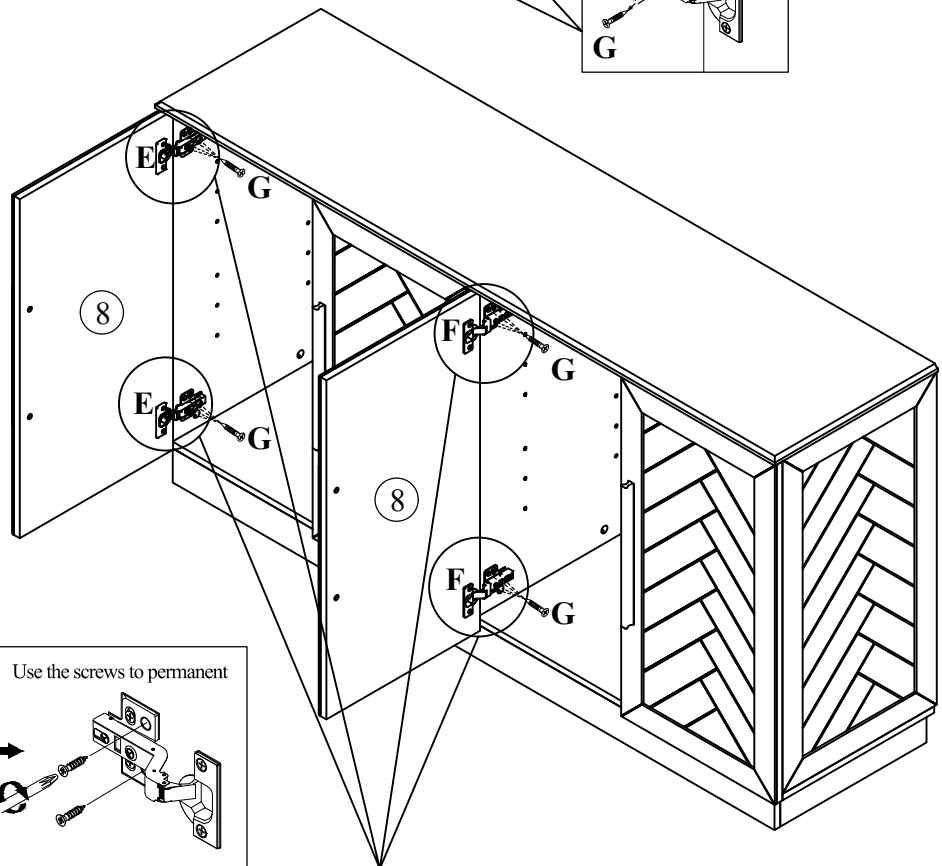
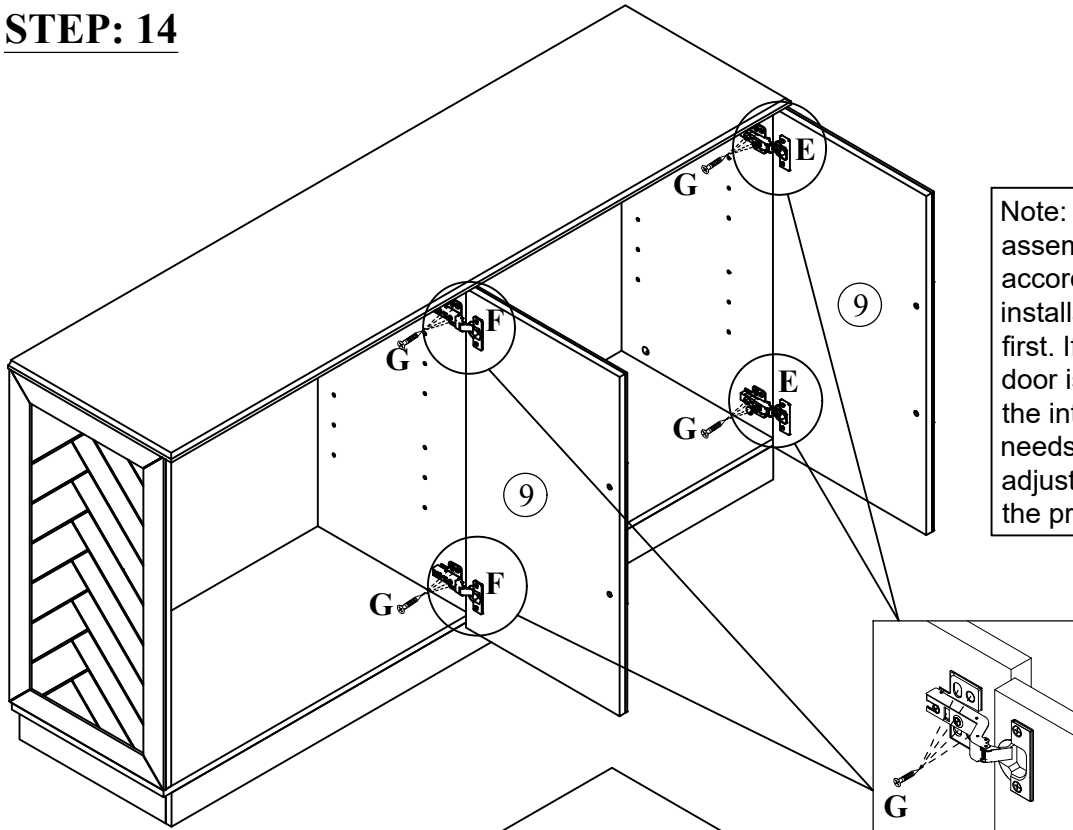
# STEP: 14

G

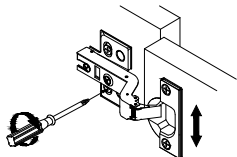


32PCS

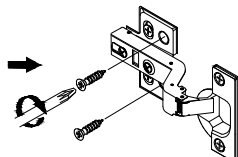
Note: Please assemble the door according to the installation steps first. If the cabinet door is deviated, the internal hinge needs to be slowly adjusted to solve the problem.



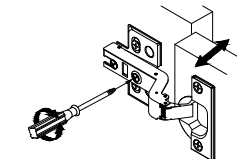
Use the screws to adjust up or down



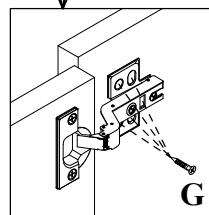
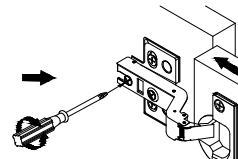
Use the screws to permanent



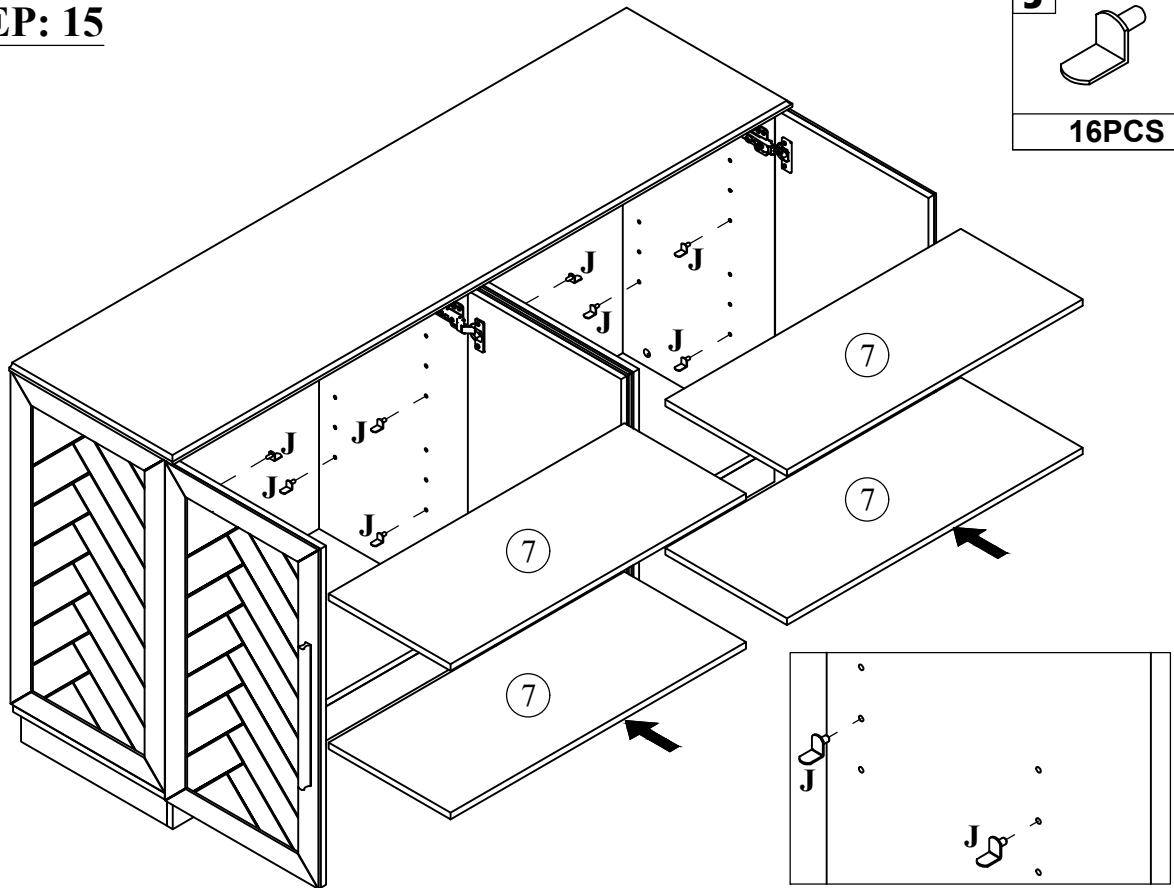
Use the screws to adjust left or right



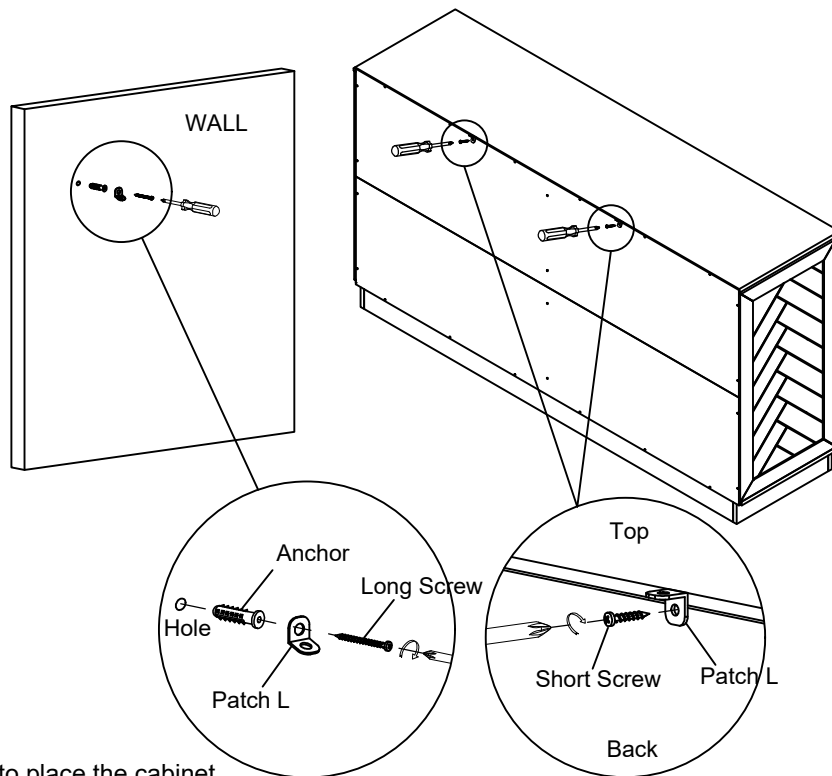
Use the screws to adjust in or out





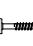

## STEP: 15



## STEP: 16



- Select the location to place the cabinet.
- Drill a hole in the dry wall to fit Anchor  
Then included the Patch L with Long screw.
- Assembly the Patch L to the cabinet and affix by Short screw.

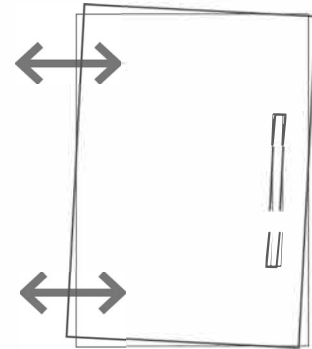
L1	L2	L3	L4	L5
				
x4	x2	x2	x2	x2

# HINGE ADJUSTMENTS



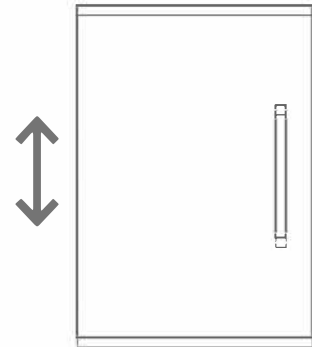
## 1 Sideways / Tilt adjustment

Turn the screw  
**clockwise** to move the door further away from  
the side of the cabinet  
**anticlockwise** to move the door closer to the  
side of the cabinet



## 2 4 Height adjustment

While supporting the weight of the door, turn the  
screws  
**clockwise** to move the door up  
**anticlockwise** to move the door down



## 3 Forward and back adjustment

If the gap between the back of the door and the  
cabinet is too small, and the door may not close  
fully. Turn the screw  
**clockwise** to decrease the gap between the  
door and the cabinet  
**anticlockwise** to increase the gap between the  
door and the cabinet

