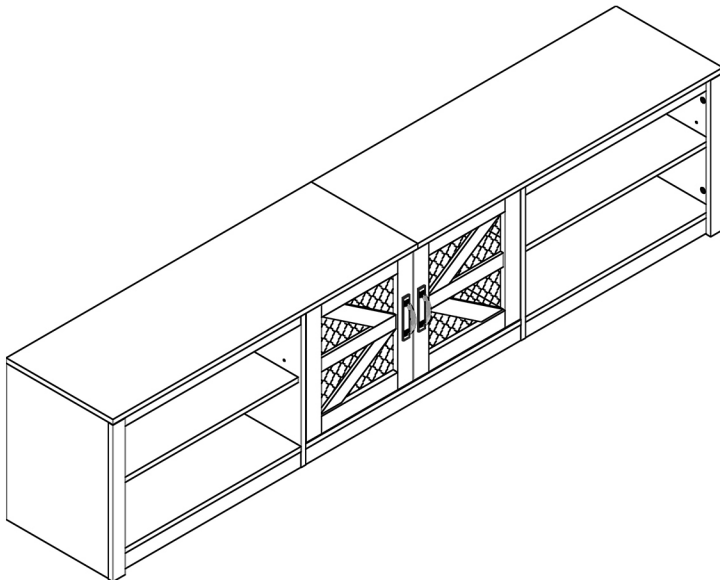
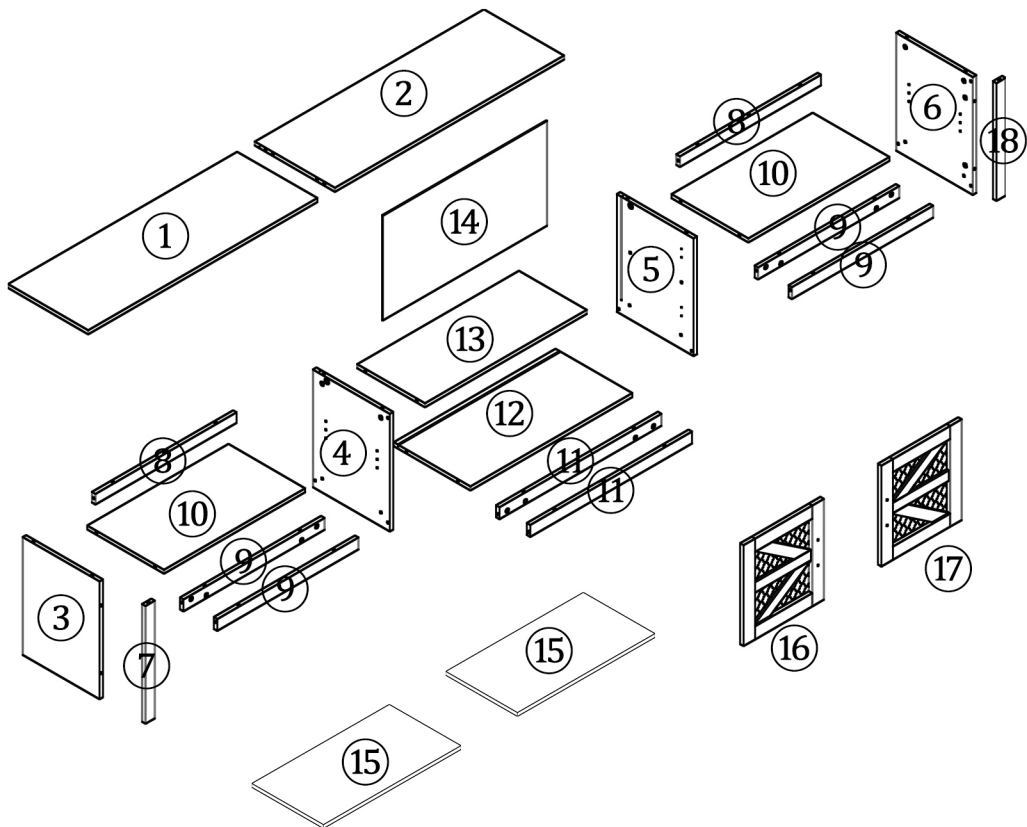

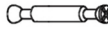


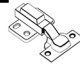
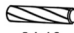
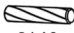








ASSEMBLY INSTRUCTION

- Please follow the instructions to assemble the items correctly.
- Please ensure the safety of the glass when assembling.
- Do not make the screws too loose or too tight.
- As shown in the figure, Insert the screw into the hole.
The arrow in the picture, Then rotate 90° or 180° clockwise.
- The accessory bag contains some small accessories, which should be kept away from children.
- The remaining parts are spare parts.
- Warm reminder white backboard please install the white side inward
- The operating instruction of RGB light is included in the package , please read it carefully when assembling



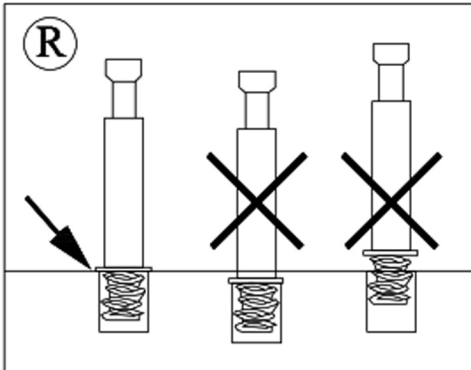
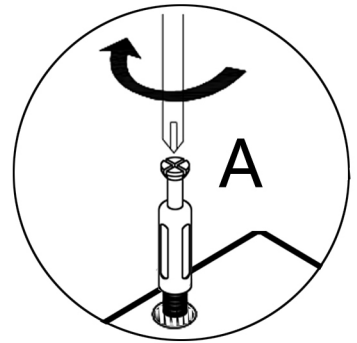
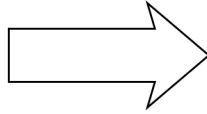
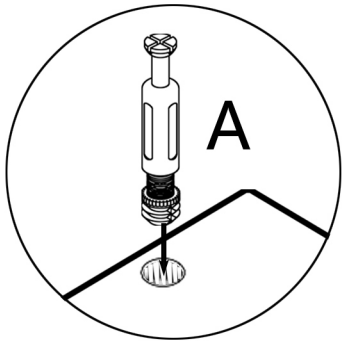


A  56pcs	A2  2pcs	B  60pcs	C  3.5*14 28pcs	D2  4pcs	E  8*40 8pcs	E1  8*60 2pcs
F  2pcs	F1  4*22 4pcs	G2  8pcs	Y  4pcs	AM  Decorative paper 18pcs	 LED	



Hardware installation demonstration

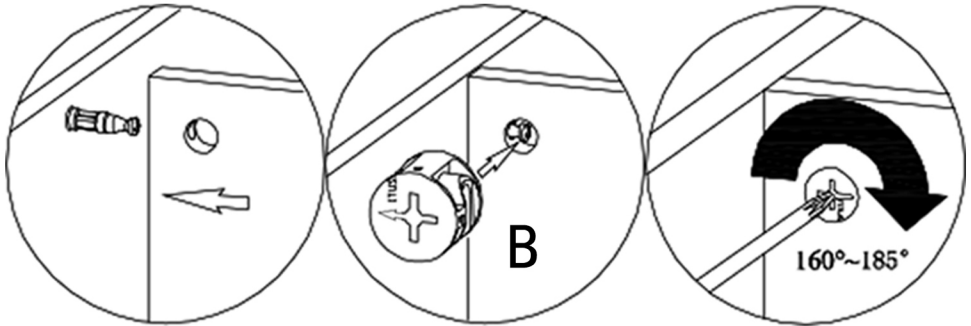
- Please make sure "A" hardware tightened and can't be pulled out





Hardware installation demonstration

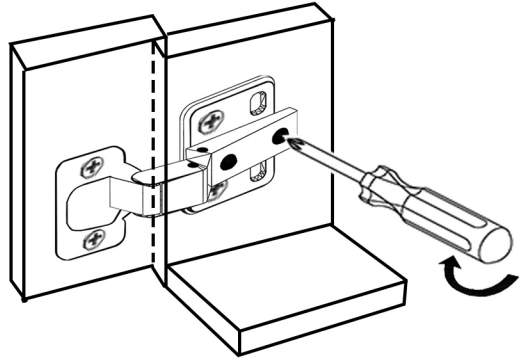
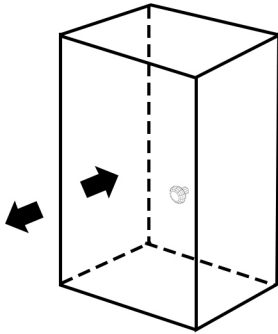
- When inserting cam ensure arrowhead on cam points toward to the hole on the panel edge





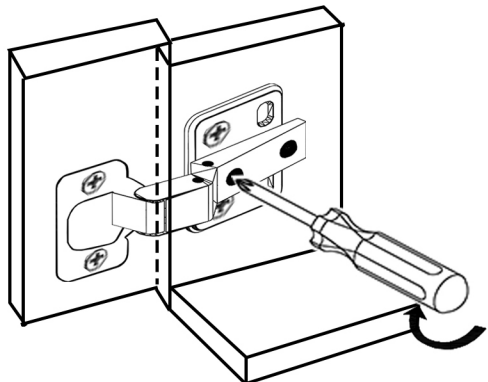
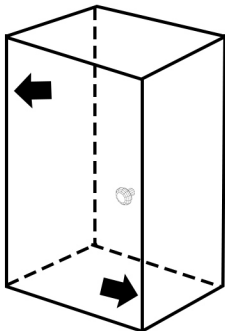
Hardware installation demonstration

Cabinet door front and rear adjustment



Adjusting screws can change the gap between the door panel and the cabinet side

Cabinet door left and right adjustment

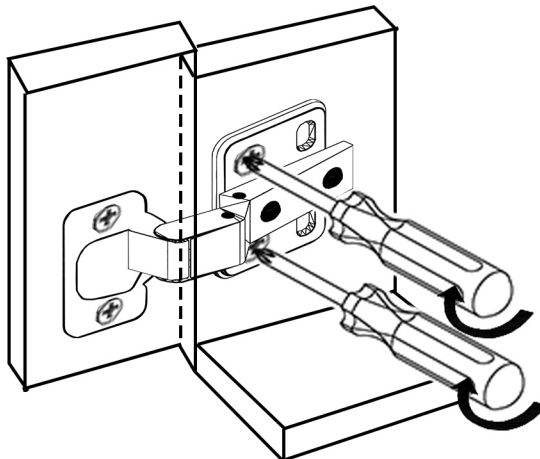
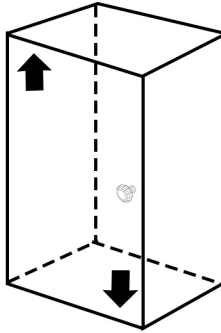


Adjusting screws can change the door panel relative to the cabinet next to the coverage



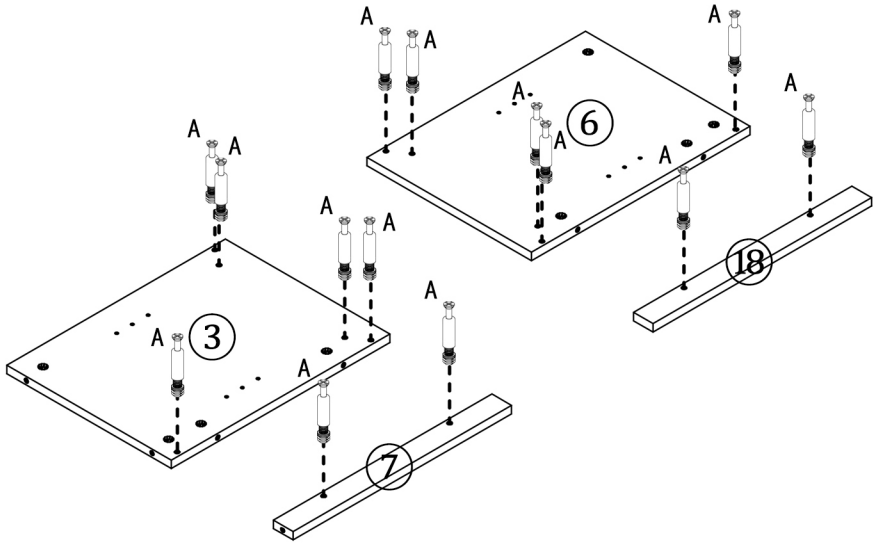
Hardware installation demonstration

Cabinet door up and down adjustment

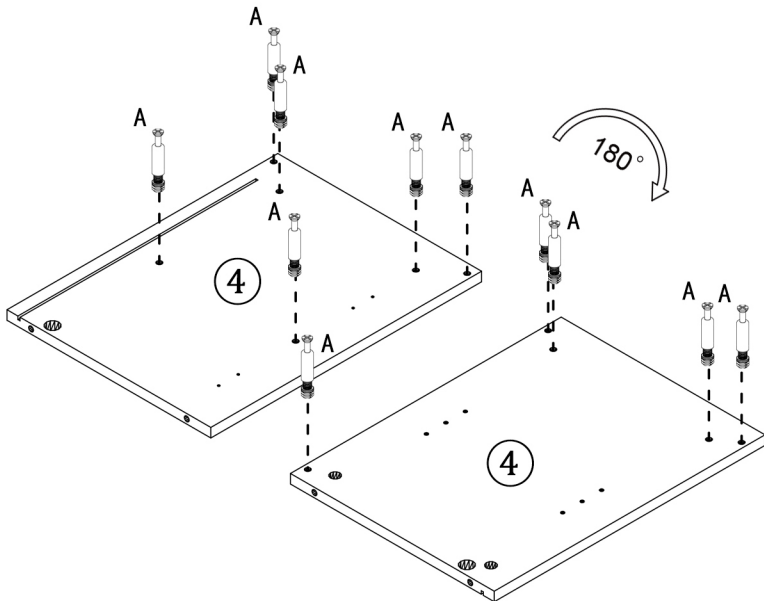


Adjusting screws can correct the upper and lower clearance of the door panel

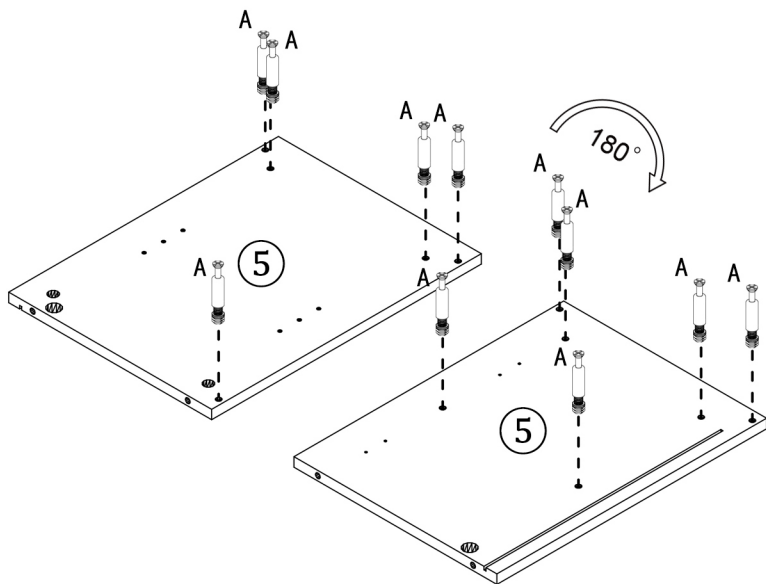
STEP 1



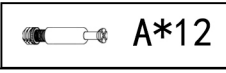
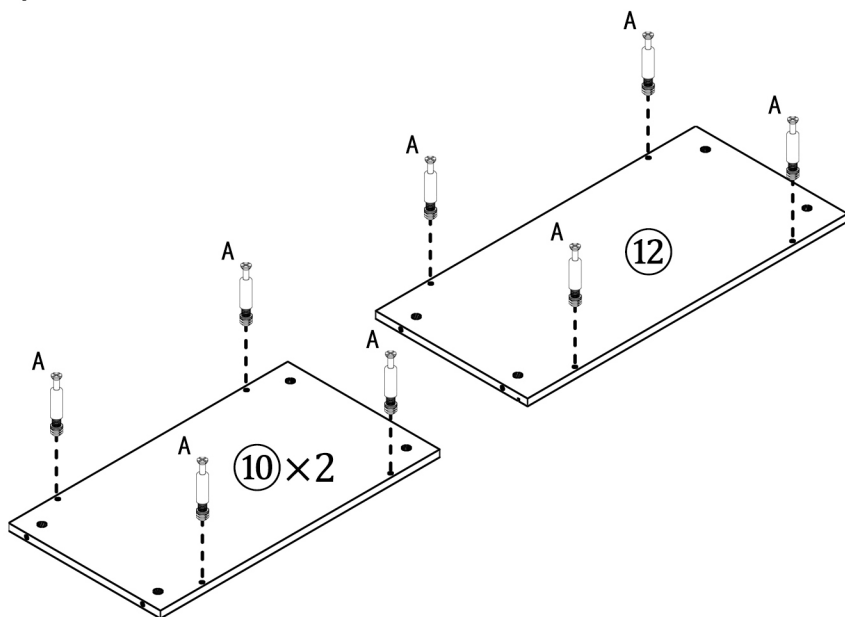
STEP 2



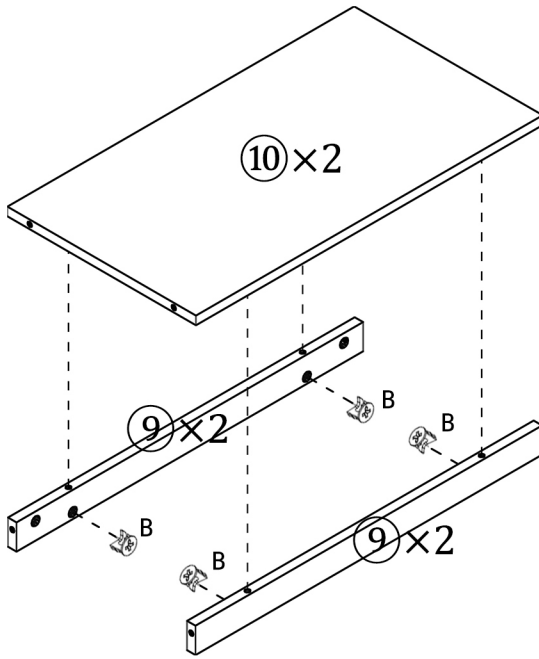
STEP 3



STEP 4

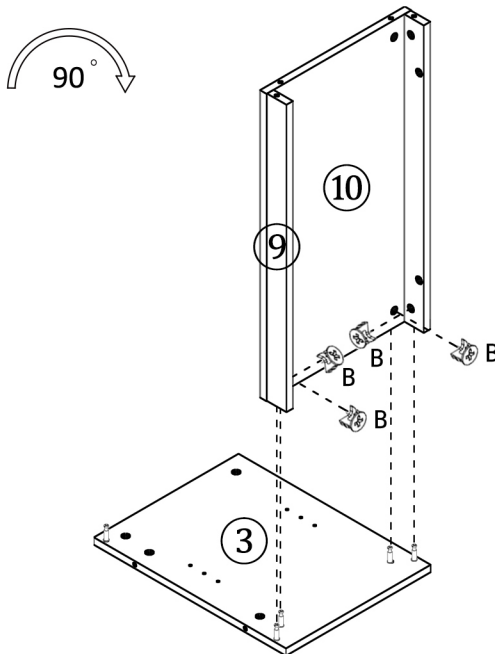


STEP 5



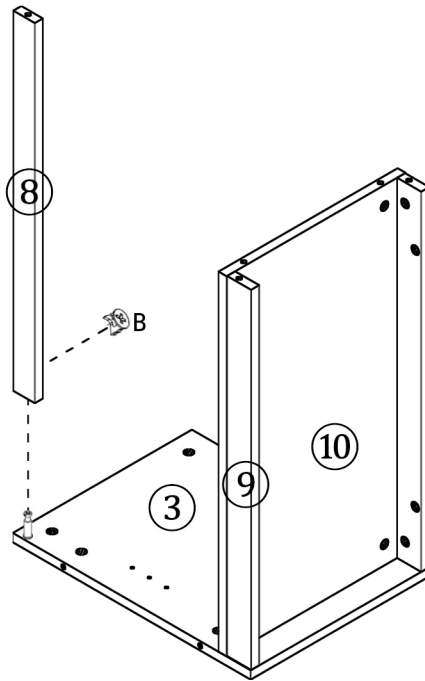
B*8

STEP 6



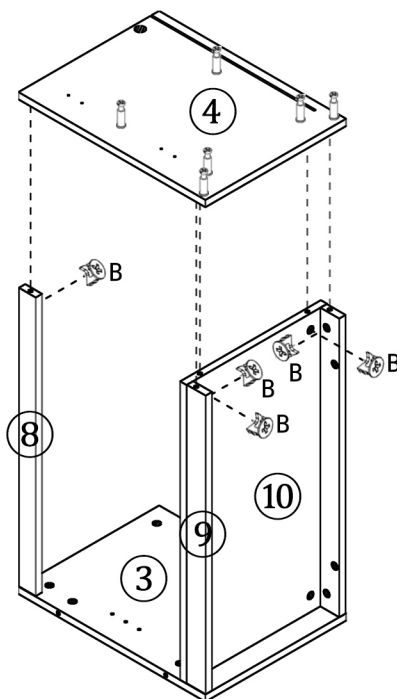
B*4

STEP 7



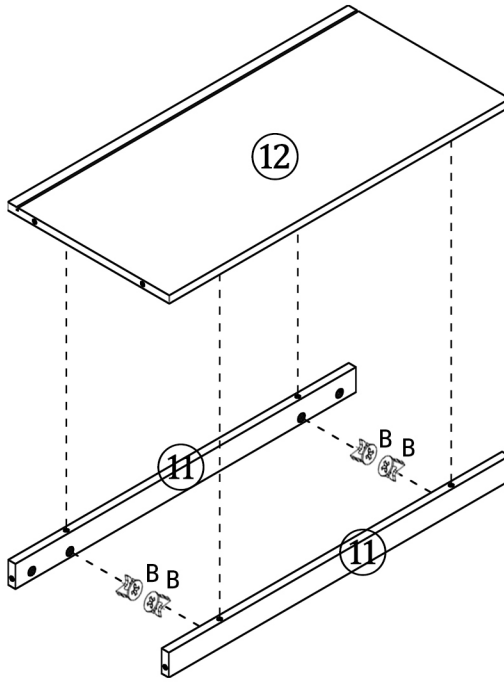
B*1


STEP 8



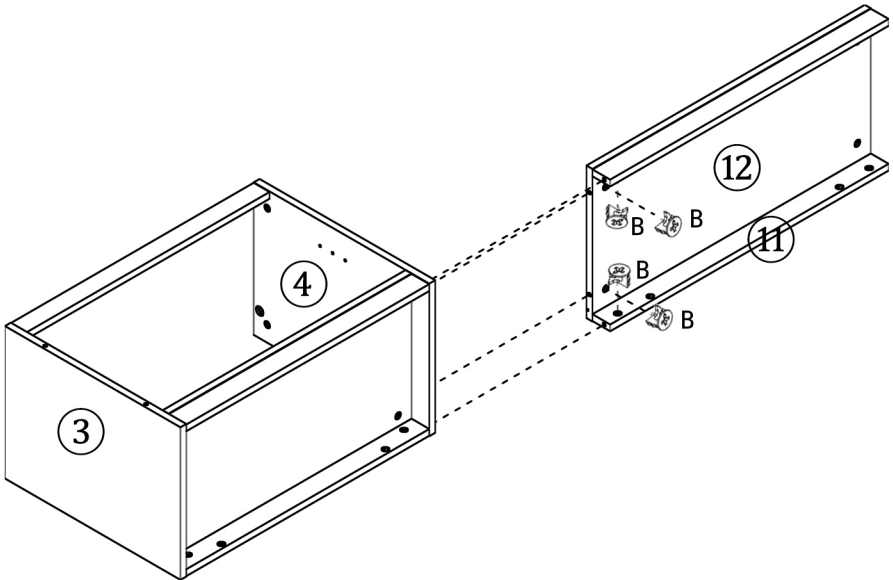
B*5


STEP 9



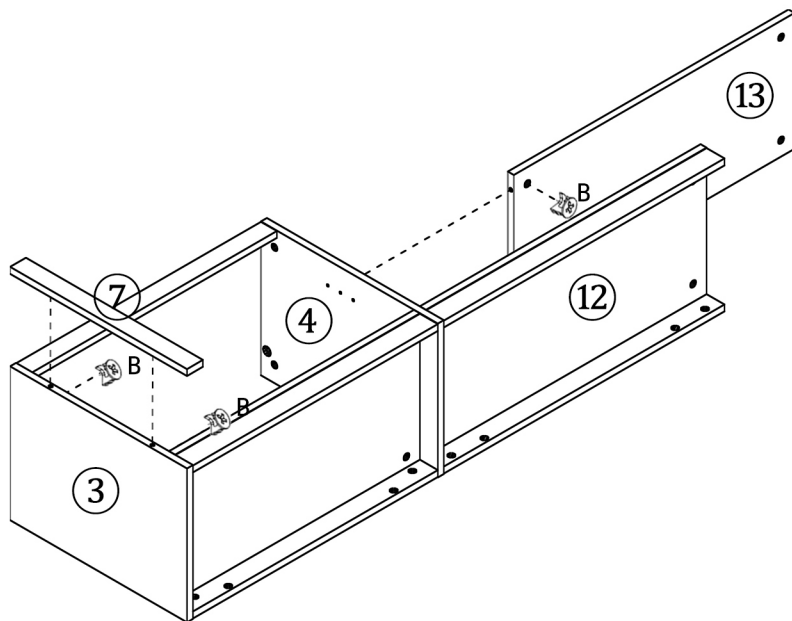
 B*4


STEP 10



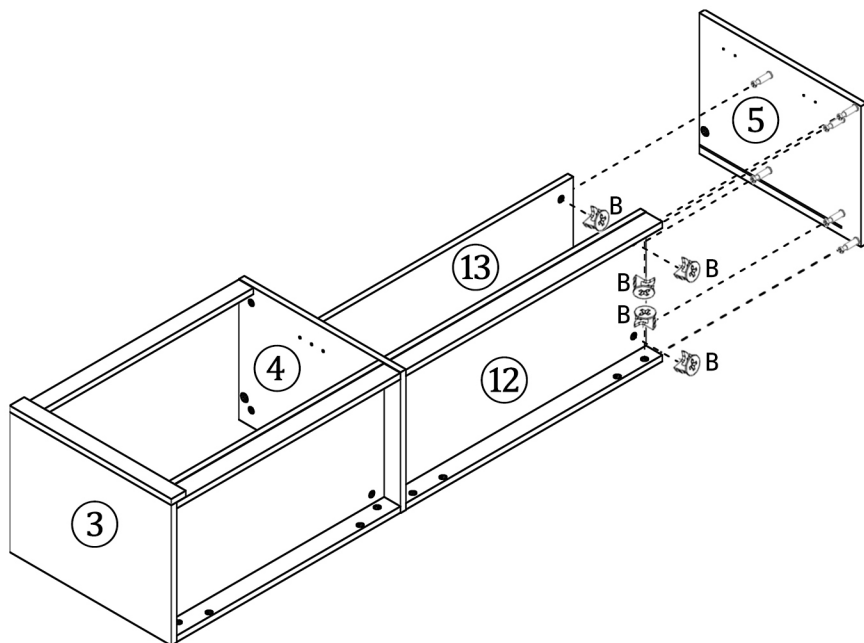
 B*4


STEP 11



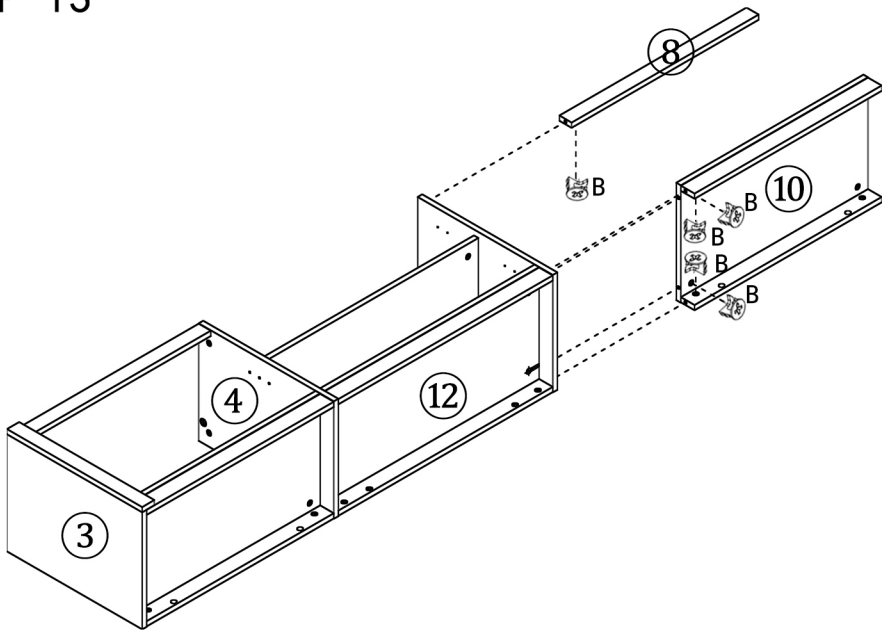
 B*4

STEP 12



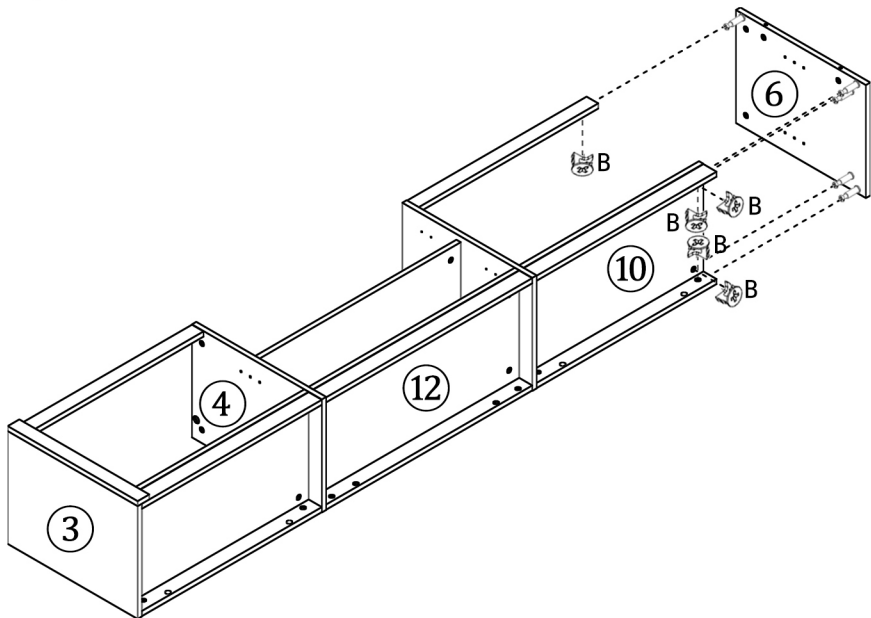
 B*6

STEP 13



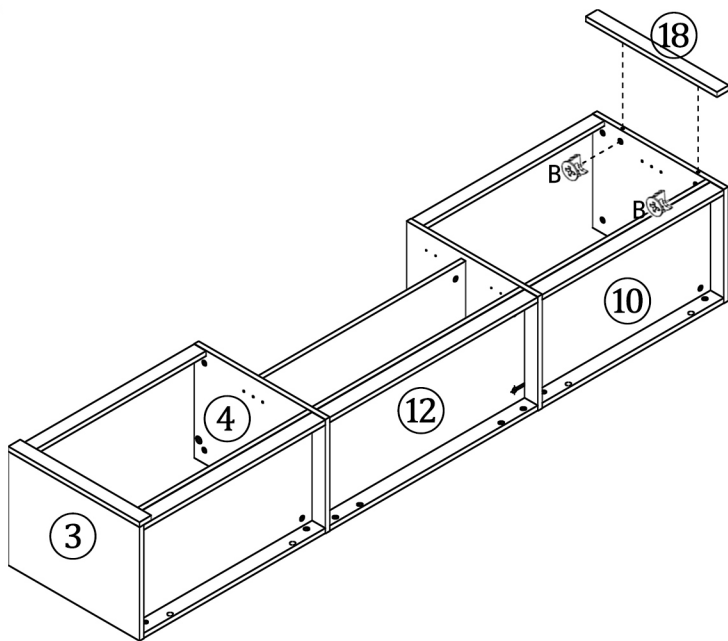
B*5

STEP 14



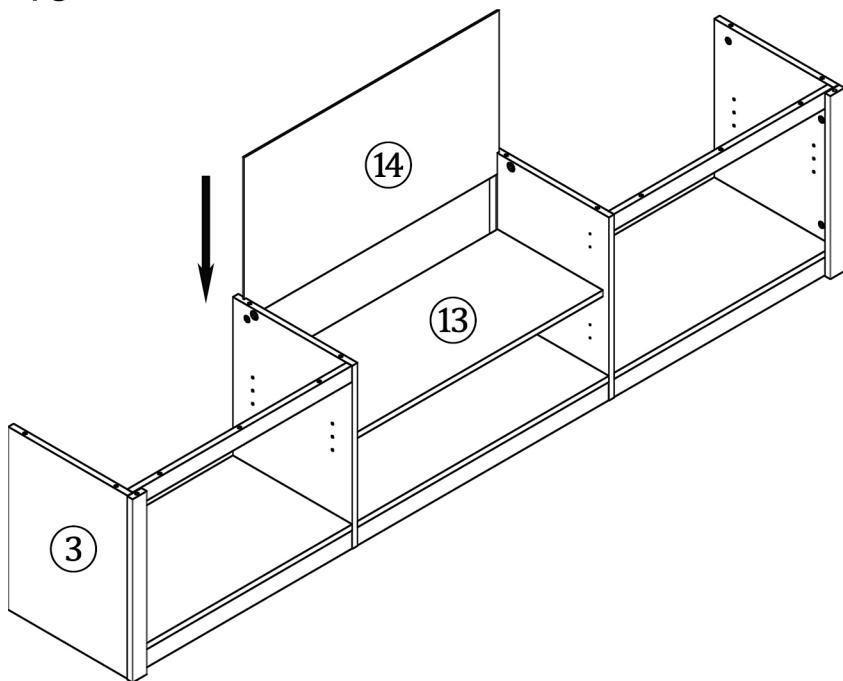
B*5

STEP 15

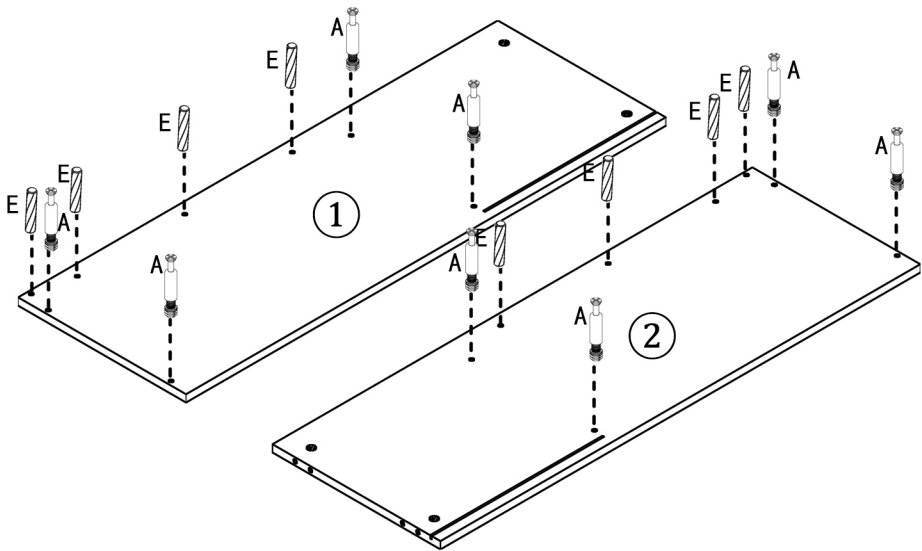




B*2

STEP 16




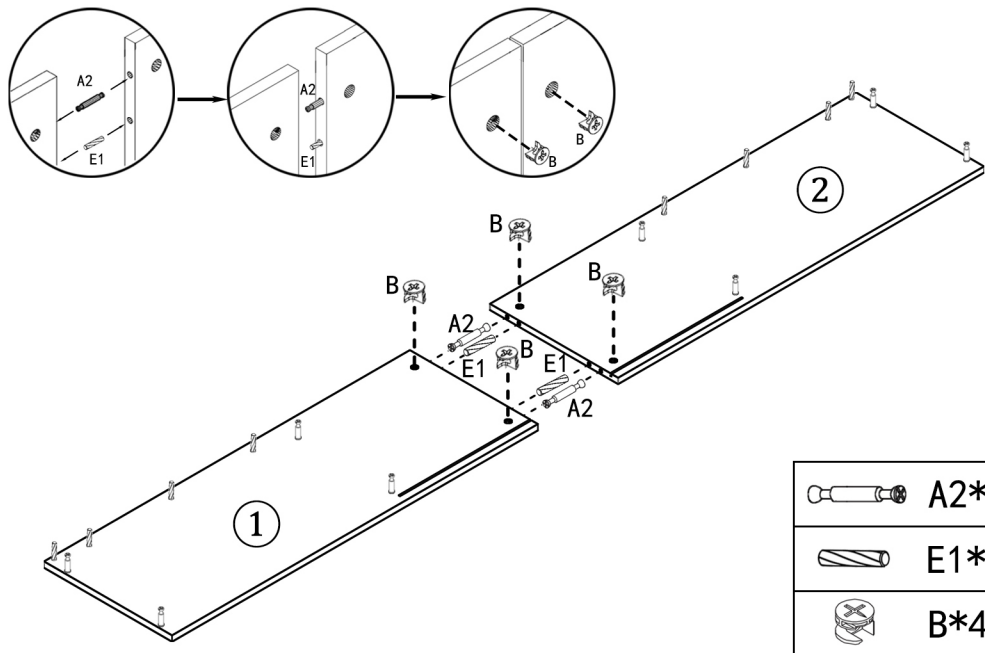
STEP 17

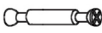




	E*8
	A*8

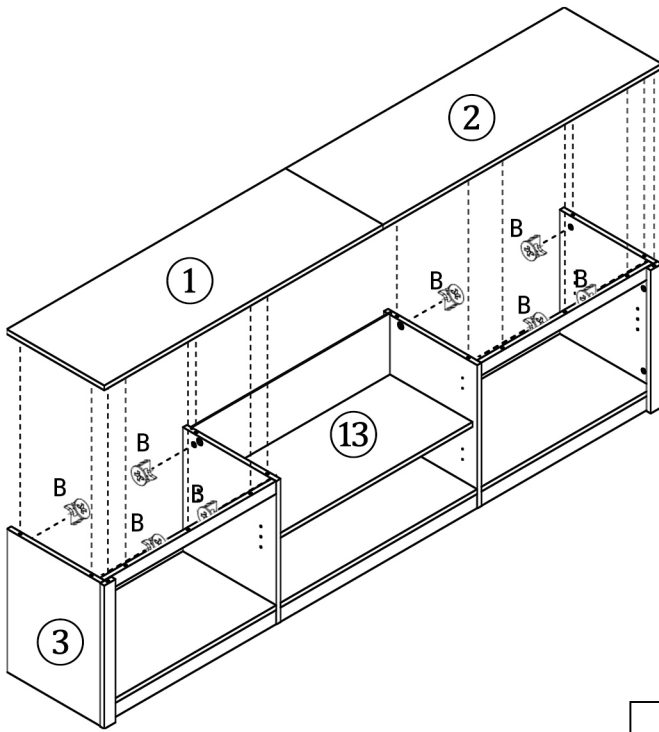
STEP 18


 Important!



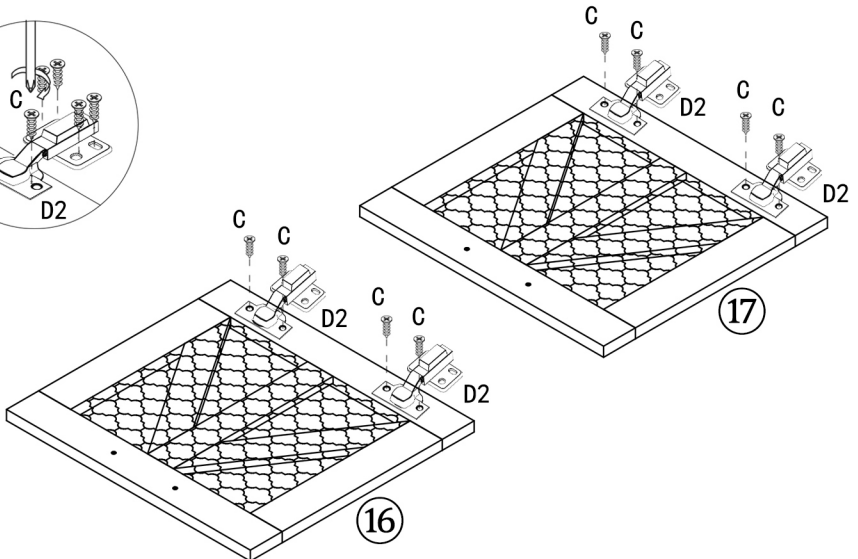
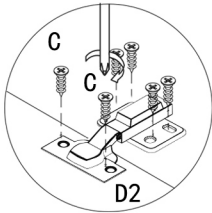
	A2*2
	E1*2
	B*4


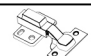
STEP 19



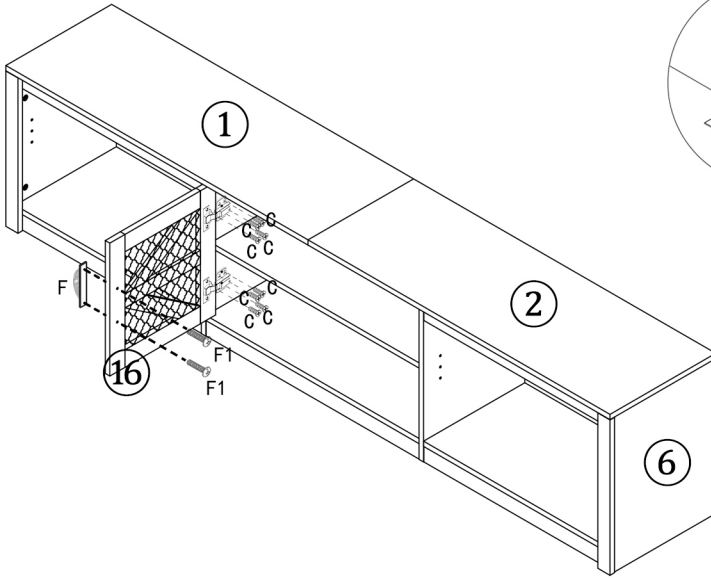
 B*8

STEP 20



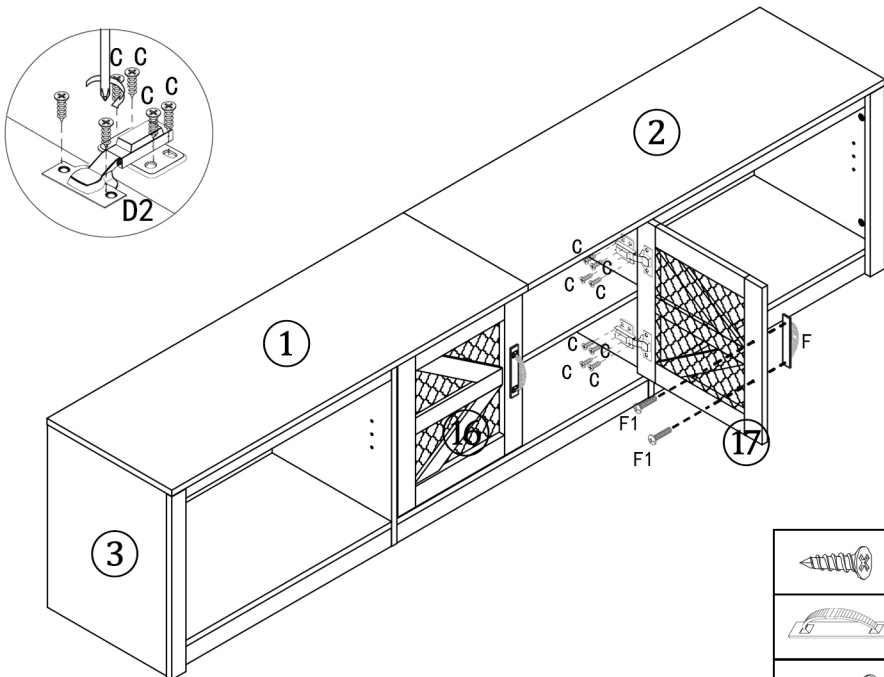
 C*8
 D2*4

STEP 21



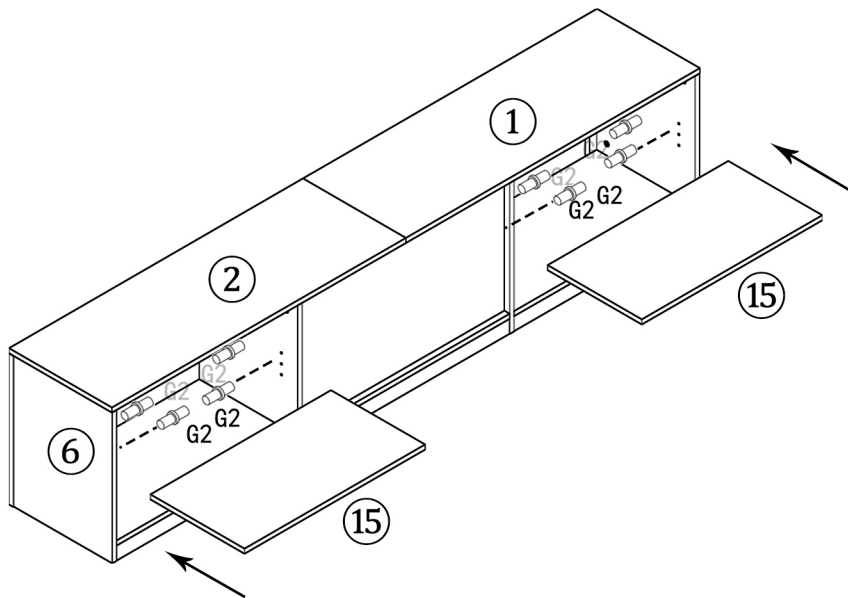
	C*8
	F*1
	F1*2

STEP 22



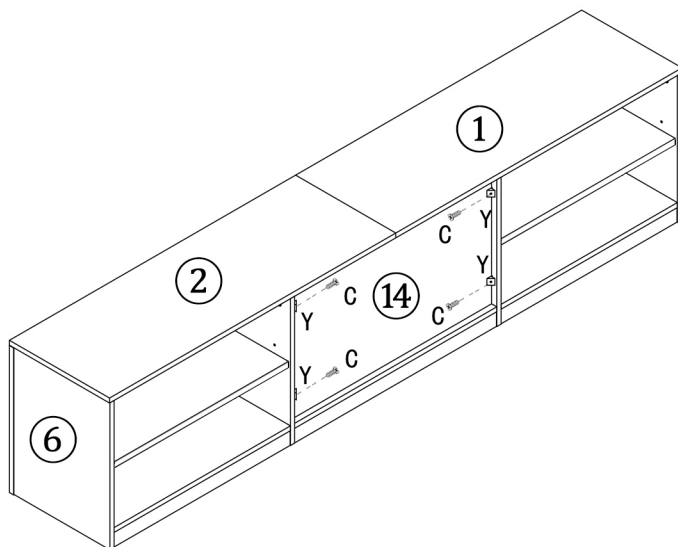
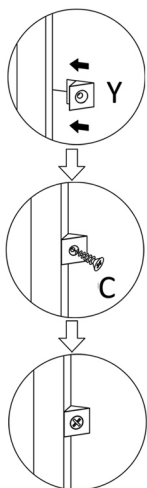
	C*8
	F*1
	F1*2

STEP 23



G2*8

STEP 24

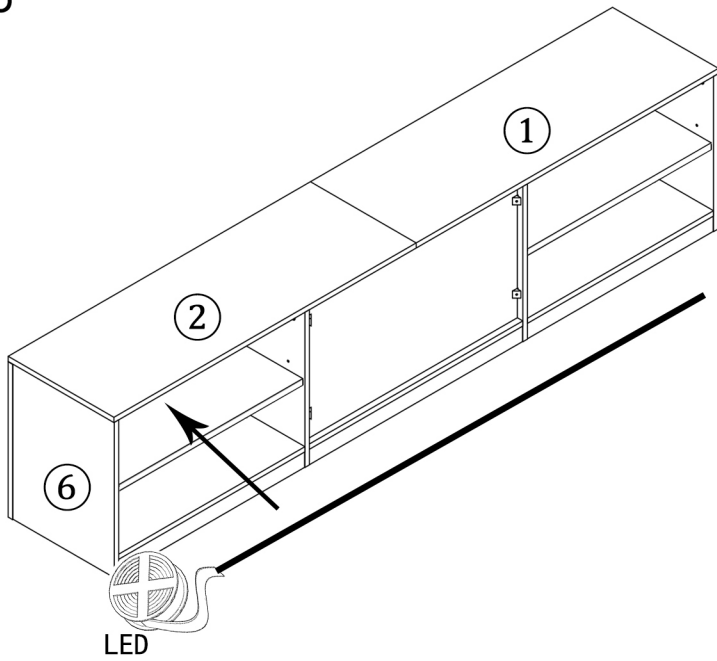


C*4



Y*4

STEP 25

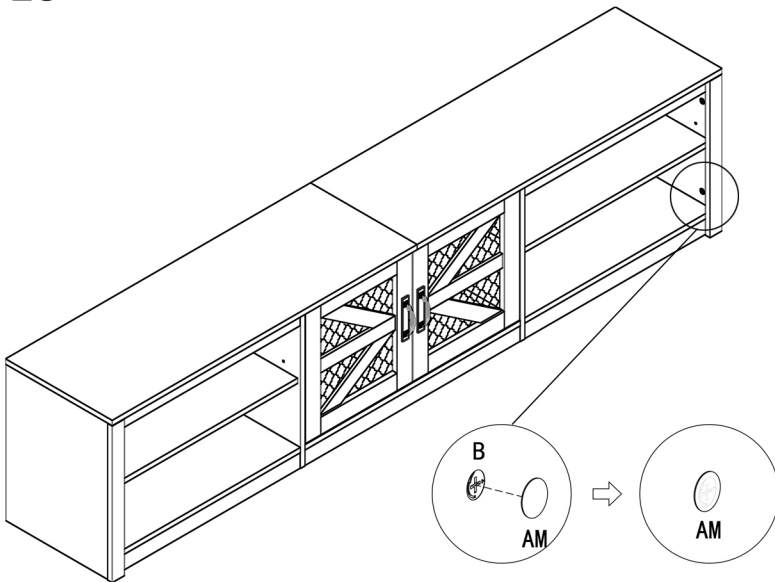


Please paste the LED light strip on board 1 and board 2



LED*1

STEP 26



AM*18

Decorative paper